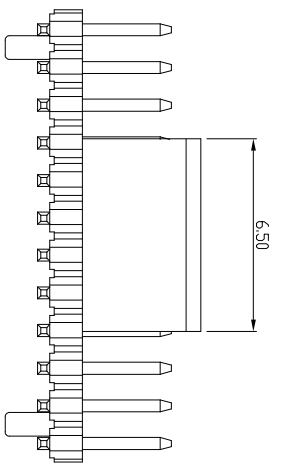
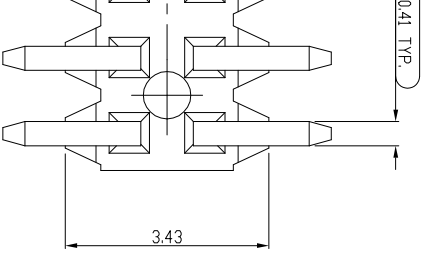
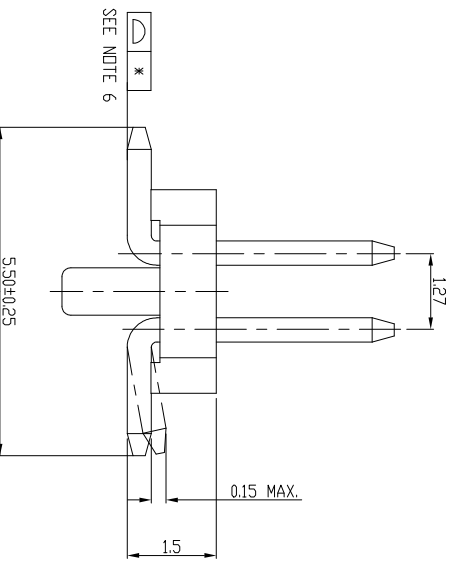
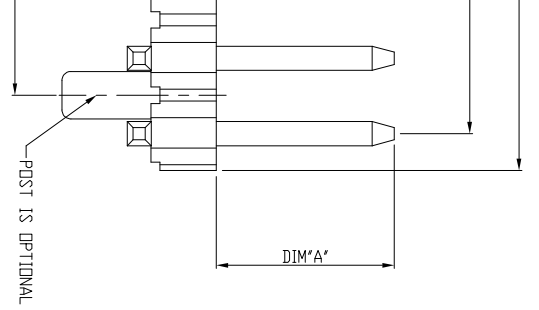




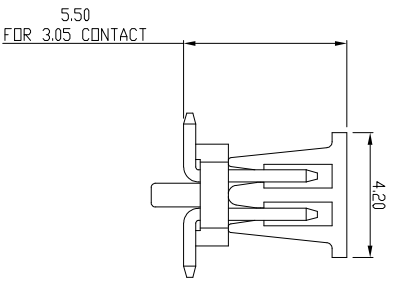
**THE DATASHEET OF  
20021121-00074T1LF**



2 3 4 5 6



PRODUCT WITH CAP



mat'l. code		surface		tolerance		projection		product family	
ISO 1302		ISO 406		ISO 1101		MINITEK127@		title	
✓		.00±.10		mm		UNSHROUDED HDR VT SMT		sheet 1 of 2	
ltr	ecn no	dr	date	tolerances unless otherwise specified	angle	linear	scale 1:1	dwg no	size
L	EX-N-23548	TIM	03/21/16	.00±.20				20021121	A3
M	EX-N-23949	TIM	04/26/16	.000±.10					
N	EX-N-28817	TONY	12/18/17						
P	EX-N-32456	TONY	01/14/19						
		dr							
sheet	revision	P	P						
index	sheet	1	2						

2 5 6

PDS: Rev: P

STATUS: Released Printed: Ahn 22, 2019

D

260-C PEAK  
TION INFR-RED  
LIVES AND OTHER  
22-008  
C: UL94-V0 BLACK





## Looking for pricing, stock, or lifecycle information?

Click below to explore more details on WIN SOURCE:

- ⊖ [View 20021121-00074T1LF on WIN SOURCE](#)
- ⊖ [Amphenol FCI Information](#)

## Optimize Your Supply Chain with WIN SOURCE Solutions

- ✓ Global Sourcing Solution
- ✓ Obsolete Management
- ✓ Cost Control Management
- ✓ Shortage Management
- ✓ Alternative Solution
- ✓ Excess Inventory Management