



THE DATASHEET OF
207441-8

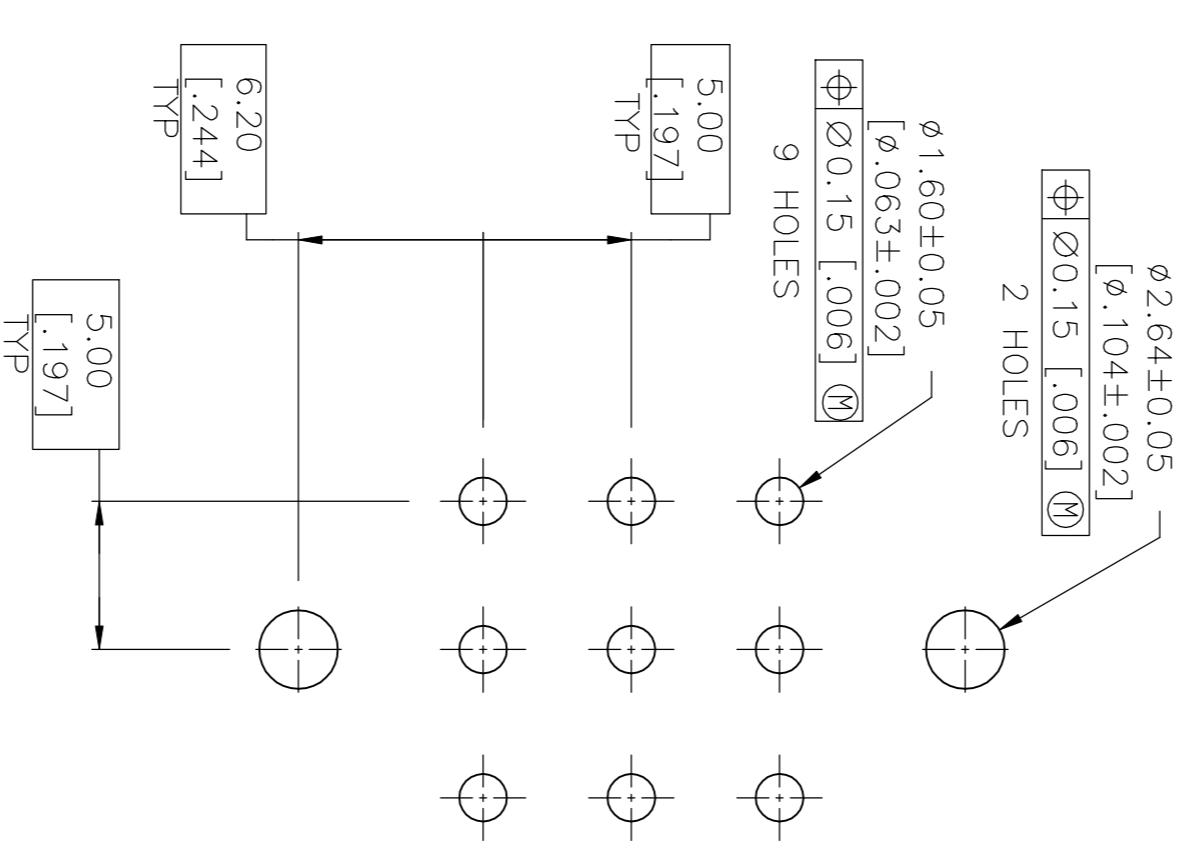
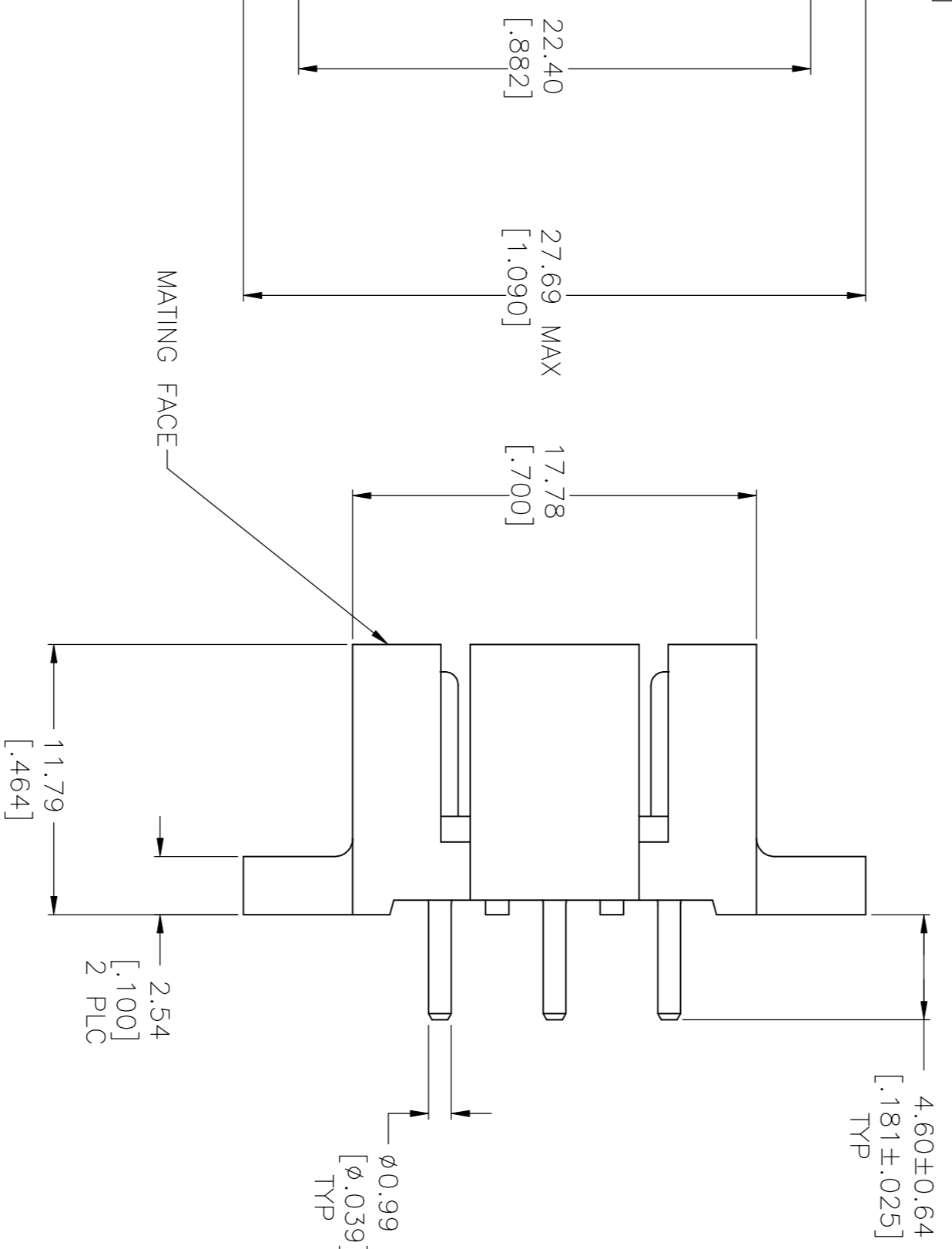


3

2

1

REVISIONS				
P	LTR	DESCRIPTION	DATE	DMN / APD
N		REVISED PER ECO-16-004940	29JUL2016	NK / MZ
P		REVISED PER ECO-18-000441	24JAN2018	RS / MZ



RECOMMENDED PC BOARD LAYOUT

- ▲ NYLON, UL 94V-0 RATED, RED.
- ▲ BRASS PER ASTM B36.
- ▲ 3.81µm [.000150] MIN TIN OVER 2.54µm [.000100] MIN COPPER.
- ▲ 0.76µm [.000030] MIN GOLD FOR A LENGTH OF 5.08 [.200]
- ▲ FROM MATING END, 3.81µm [.000150] MIN TIN FOR A LENGTH OF 4.83 [.190] MIN FROM OPPOSITE END, BOTH OVER 1.27µm [.000050] MIN NICKEL.
- ▲ 3.81µm [.000150] MIN LEAD FREE TIN OVER 2.54µm [.000100] MIN COPPER.
- ▲ 0.76µm [.000030] MIN GOLD FOR A LENGTH OF 5.08 [.200] FROM MATING END, 3.81µm [.000150] MIN LEAD FREE TIN FOR A LENGTH OF 4.83 [.190] MIN FROM OPPOSITE END, BOTH OVER 1.27µm [.000050] MIN NICKEL.

FINISH	ANGLE	PLC	FINISH	CONTACT	SEE TABLE
6	5	0 PLC	±	±	
5	5	1 PLC	±	±	
4	4	2 PLC	±	±	
3	3	3 PLC	±	±	
3	3	4 PLC	±	±	

THIS DRAWING IS A CONTROLLED DOCUMENT.		DATE	02/10/92	SIZE	A2	CAGE CODE	00779	DRAWING NO	207441	RESTRICTED TO	
MM	SI	CHK	R. STONE	APD	A. TRAVIS	PRODUCT SPEC	108-10033	APPLICATION SPEC		WEIGHT	
DIMENSIONS: mm [INCHES]		TOLERANCES UNLESS OTHERWISE SPECIFIED:		MATERIAL		HOUSING: ▲		CONTACT: ▲		CUSTOMER DRAWING	
CONTACT TYP		HOUSING		SCALE		SHEET		1 OF 1		REV P	

STE TE Connectivity Ltd.

PIN HEADER ASSEMBLY,
9 POSITION, METRIMATE

207441

Looking for pricing, stock, or lifecycle information?

Click below to explore more details on WIN SOURCE:

- [View 207441-8 on WIN SOURCE](#)
- [TE Connectivity Information](#)

Optimize Your Supply Chain with WIN SOURCE Solutions

- ✓ Global Sourcing Solution
- ✓ Obsolete Management
- ✓ Cost Control Management
- ✓ Shortage Management
- ✓ Alternative Solution
- ✓ Excess Inventory Management