

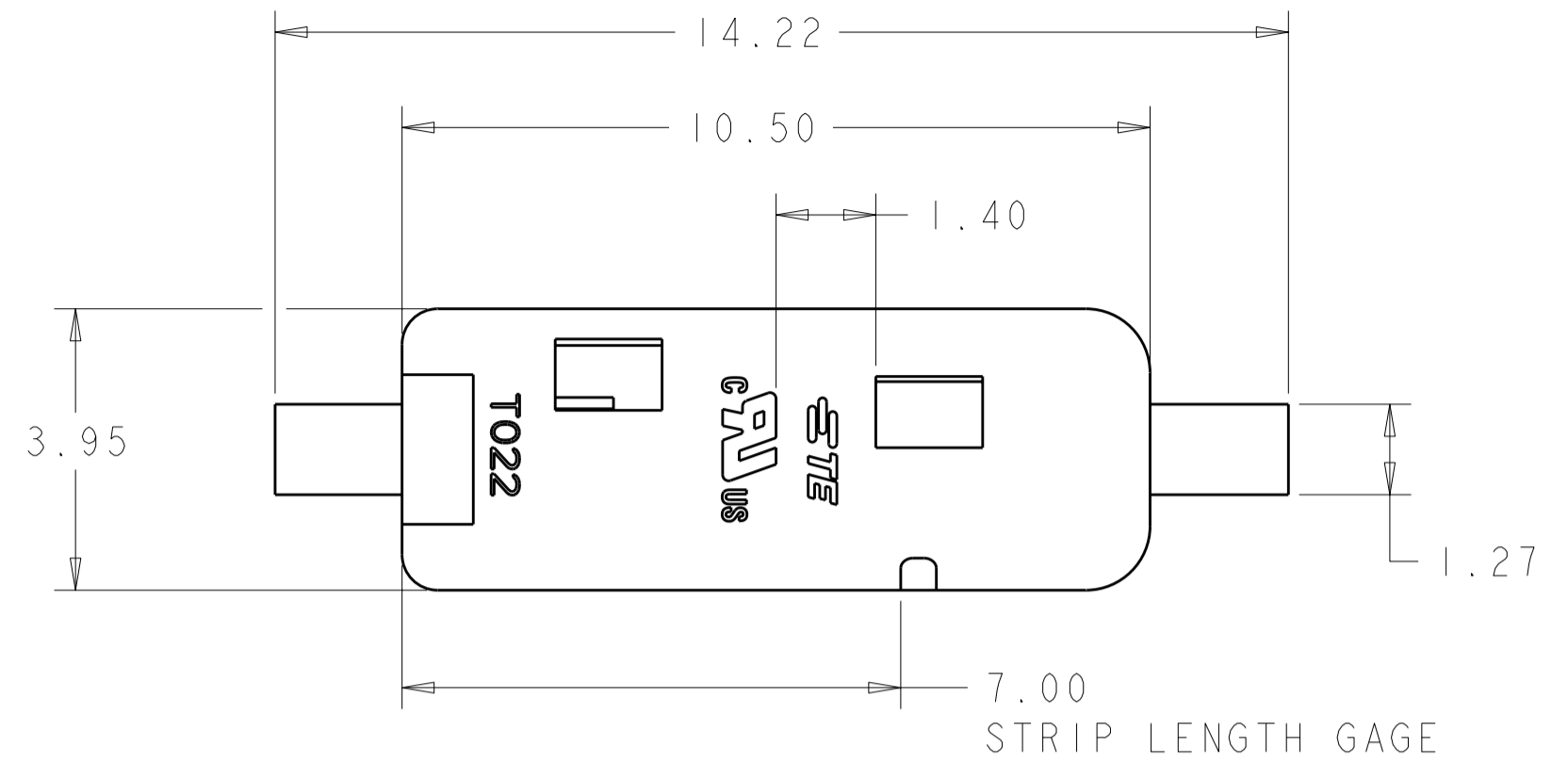


THE DATASHEET OF
2008563-1

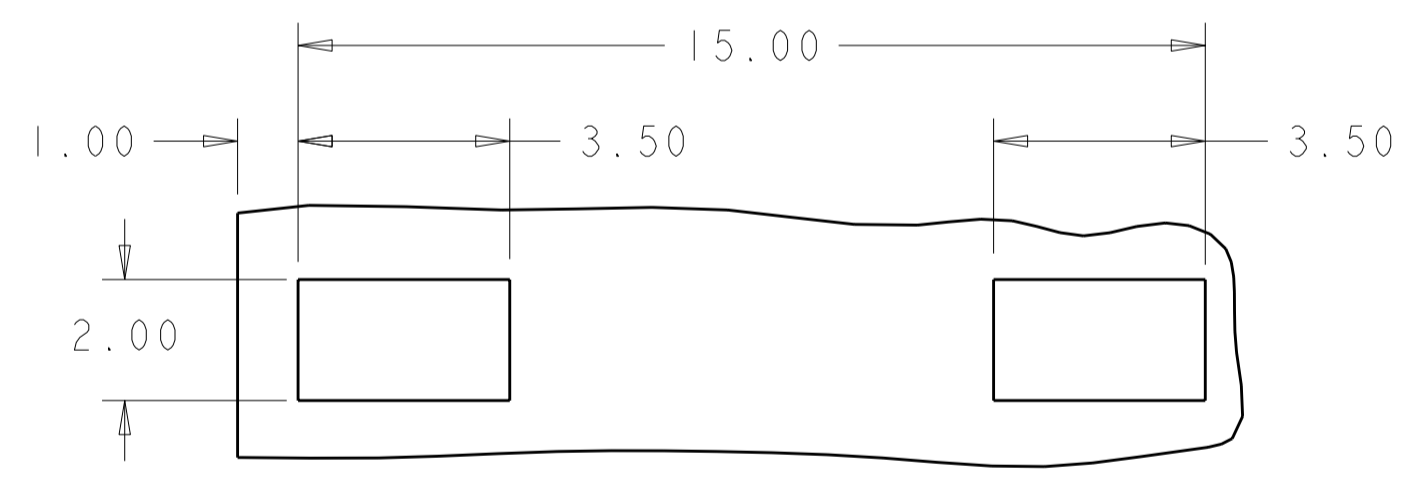
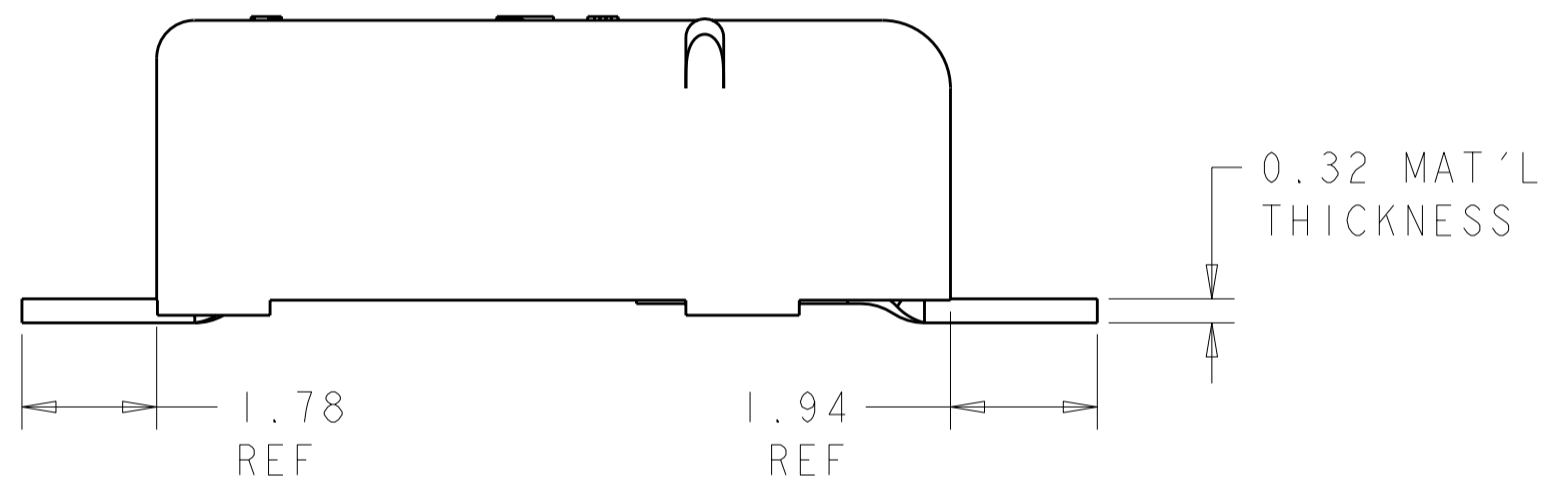
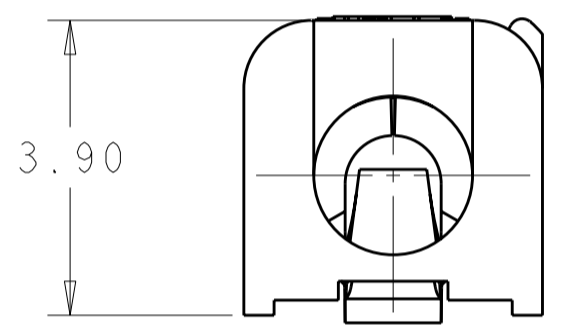


THIS DRAWING IS UNPUBLISHED. RELEASED FOR PUBLICATION 20
 © COPYRIGHT 20 ALL RIGHTS RESERVED.

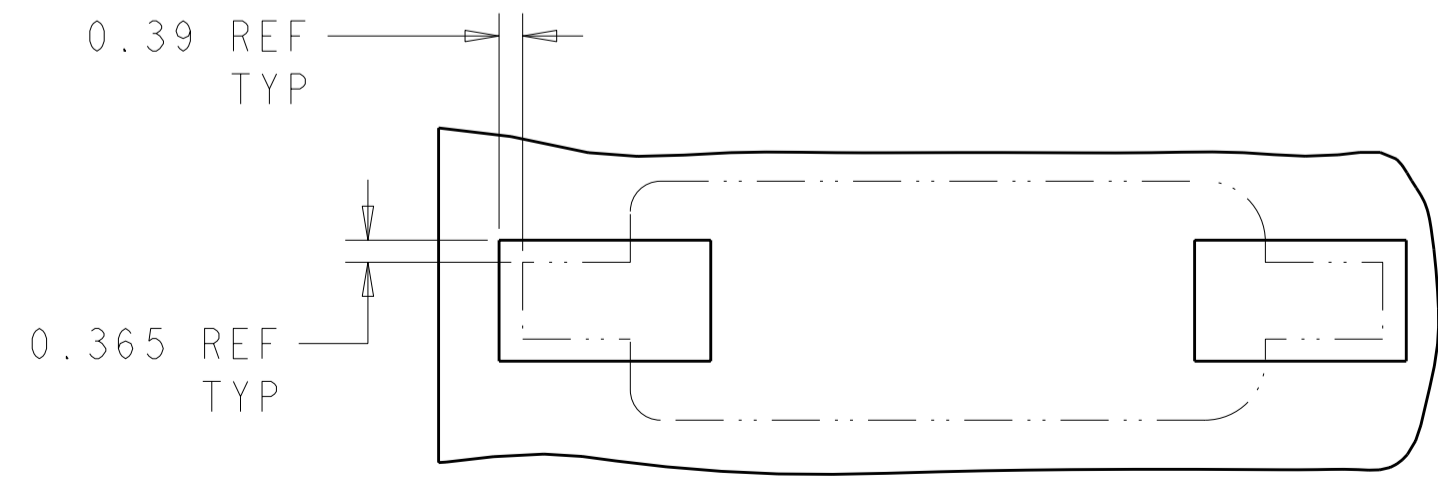
REVISIONS					
P	LTR	DESCRIPTION	DATE	DWN	APVD
A2		REVISED PER ECR-09-006358	19MAR2009	HMR	DD
A3		REVISED PER ECR-11-011090	03JUN2011	SK	DD



1. MATERIALS AND FINISH:
 - HOUSING: LCP, COLOR: WHITE
 - CONTACTS: COPPER ALLOY, FINISH: TIN
2. MUST COMPLY WITH DIRECTIVE 2002/95/EC (ROHS)
3. WIRE TYPES AND SIZES ACCEPTED
 18, 20 AND 22 AWG SOLID WIRE
 18 AND 20 AWG PREBOND STRANDED WIRE
 18 AWG STRANDED WIRE (16 STRAND COUNT)
 MAX INSULATION OD: 2.10 MM (.083")
 STRIP LENGTH: 7.0±1.0 (.276")
4. PACKAGED IN TAPE AND REEL.



RECOMMENDED PCB LAYOUT
SCALE 8:1



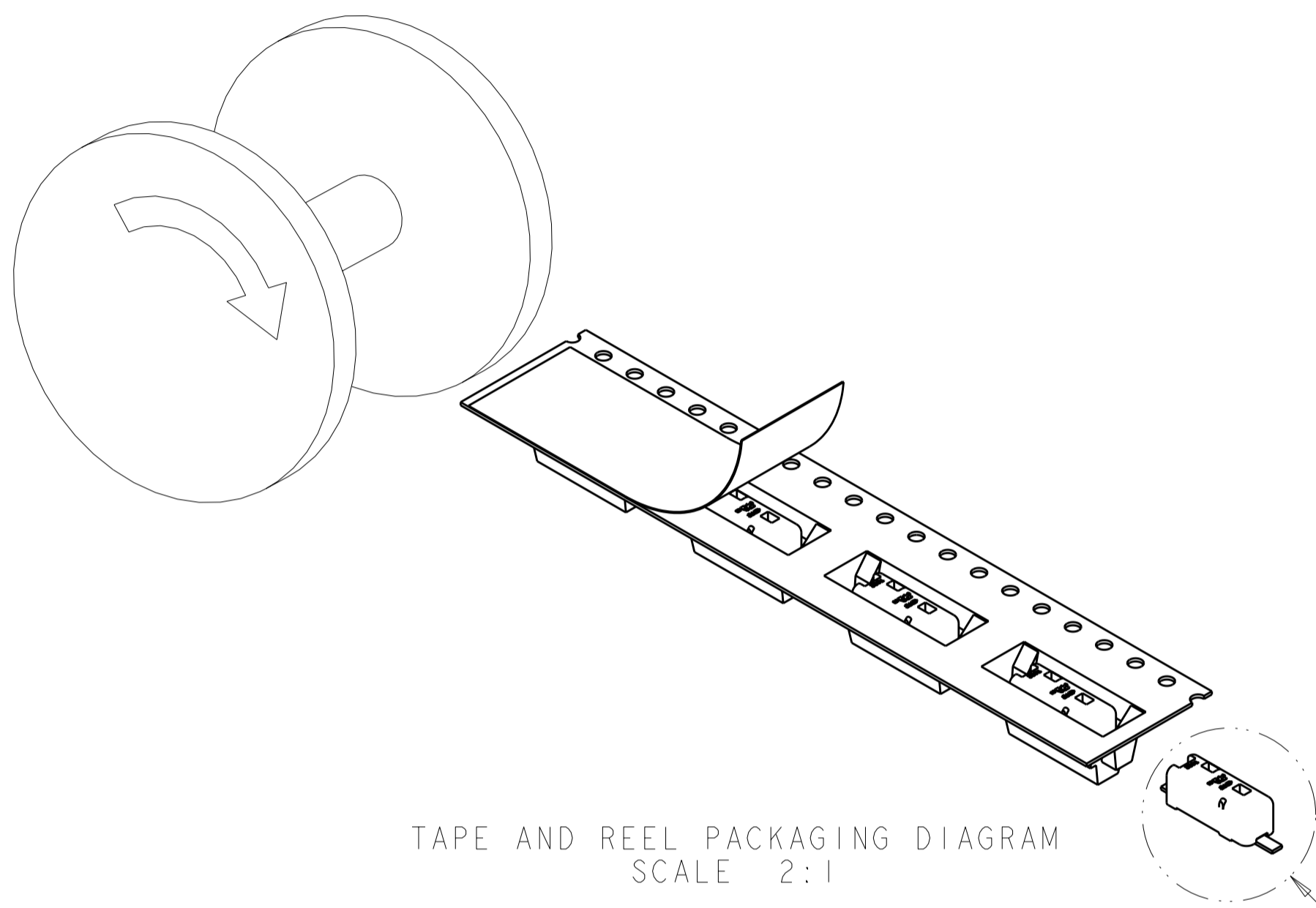
RECOMMENDED CONNECTOR PLACEMENT
SCALE 8:1

5	BLACK	2008563-2
1	WHITE	2008563-1
MATERIAL	COLOR	PART NUMBER

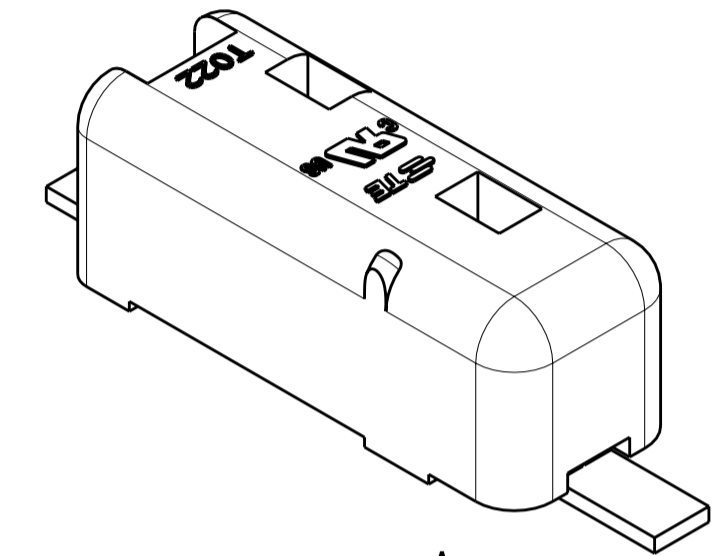
THIS DRAWING IS A CONTROLLED DOCUMENT.		DWN: GURURAJ S	17OCT2007	TE Connectivity	
DIMENSIONS: mm		CHK: -	APVD: -	NAME: POKE-IN CONNECTOR ASSEMBLY, 1 POSITION SMT	
TOLERANCES UNLESS OTHERWISE SPECIFIED:		PRODUCT SPEC: -	APPLICATION SPEC: -	SIZE: A2	
0 PLC ±		WEIGHT: -	CAGE CODE: 2008563	DRAWING NO: 2008563	RESTRICTED TO: -
1 PLC ±0.5		CUSTOMER DRAWING		SCALE: 10:1	SHEET 1 OF 2
2 PLC ±0.10				REV: A3	
3 PLC ±					
4 PLC ±					
ANGLES ±3°					
FINISH					
SEE TABLE					

THIS DRAWING IS UNPUBLISHED. RELEASED FOR PUBLICATION 20
 © COPYRIGHT 20 ALL RIGHTS RESERVED.

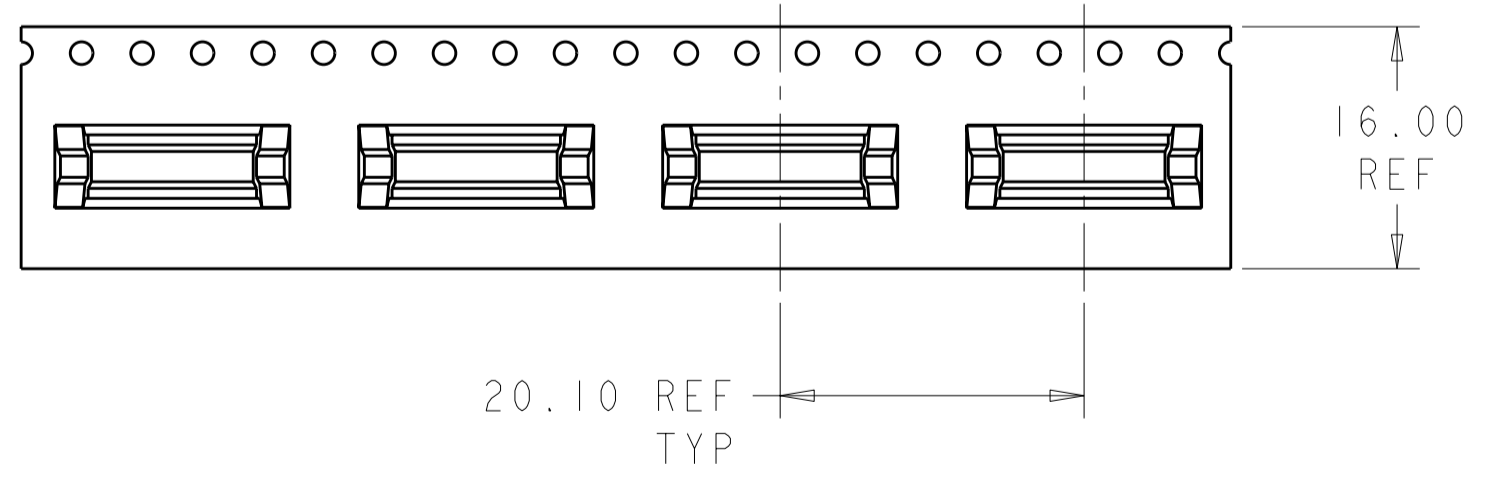
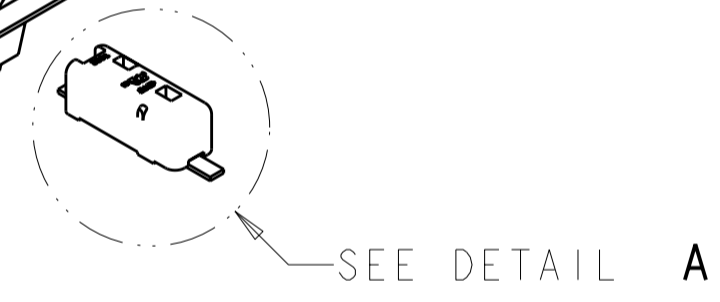
LOC	DIST	REVISIONS				
P	LTR	DESCRIPTION	DATE	DWN	APVD	
-	-	SEE SHEET 1	-	-	-	



TAPE AND REEL PACKAGING DIAGRAM
 SCALE 2:1



DETAIL A
 SCALE 8:1



THIS DRAWING IS A CONTROLLED DOCUMENT.		DWN GURURAJ S	17OCT2007	TE Connectivity	
DIMENSIONS: mm		CHK -	APVD -		
TOLERANCES UNLESS OTHERWISE SPECIFIED:		PRODUCT SPEC -		APVD -	
0 PLC ±-		APPLICATION SPEC -		SIZE A2	
1 PLC ±0.5		WEIGHT -		CAGE CODE 00779	
2 PLC ±0.10		CUSTOMER DRAWING		DRAWING NO C-2008563	
3 PLC ±-		SCALE 10:1		RESTRICTED TO -	
4 PLC ±-		SHEET 2 OF 2		REV A3	
ANGLES ±3°		FINISH			
SEE TABLE		SEE TABLE			

Looking for pricing, stock, or lifecycle information?

Click below to explore more details on WIN SOURCE:

 [View 2008563-1](#) on WIN SOURCE

 [TE Connectivity](#) Information

Optimize Your Supply Chain with WIN SOURCE Solutions

-  Global Sourcing Solution
-  Obsolete Management
-  Cost Control Management
-  Shortage Management
-  Alternative Solution
-  Excess Inventory Management