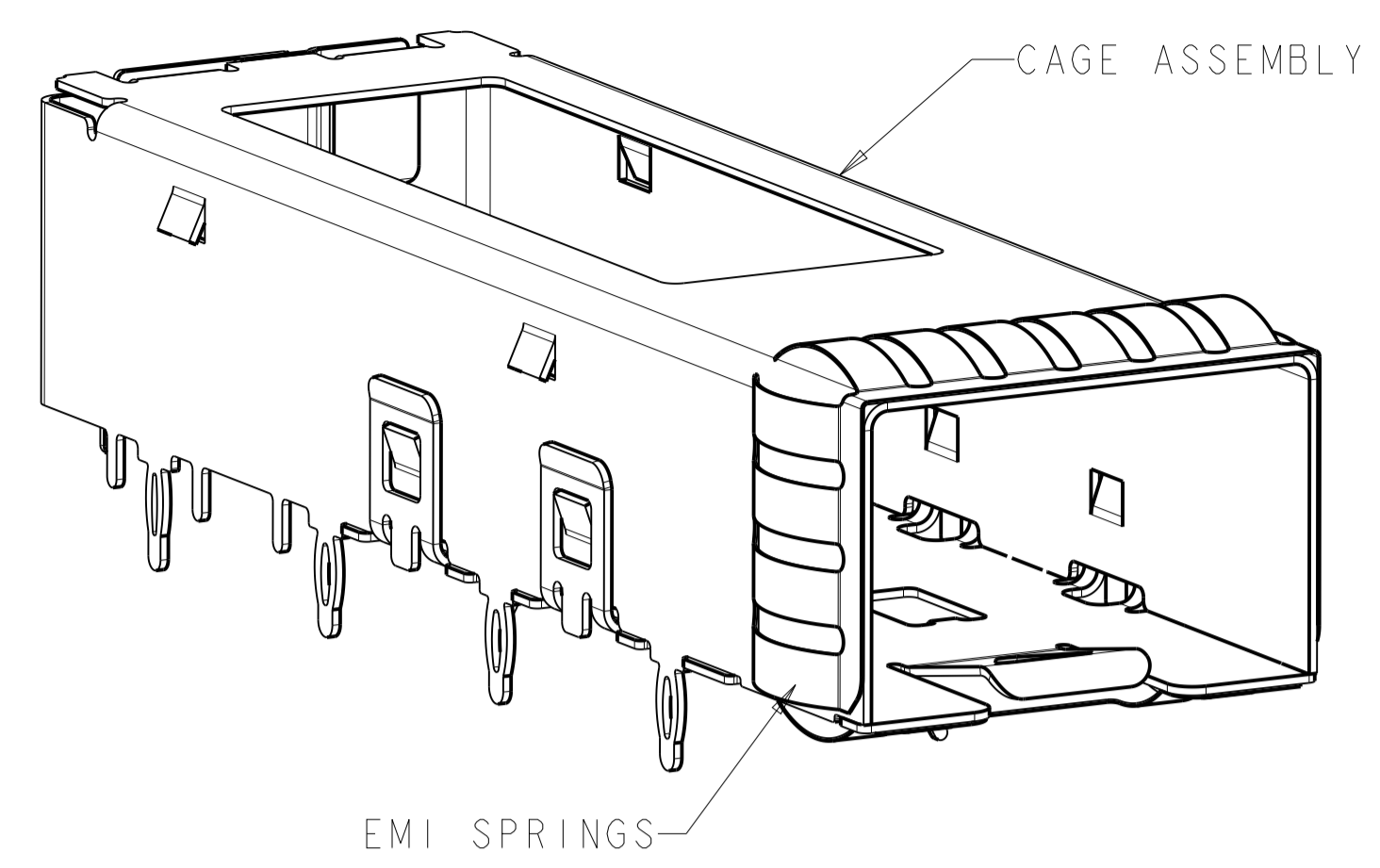




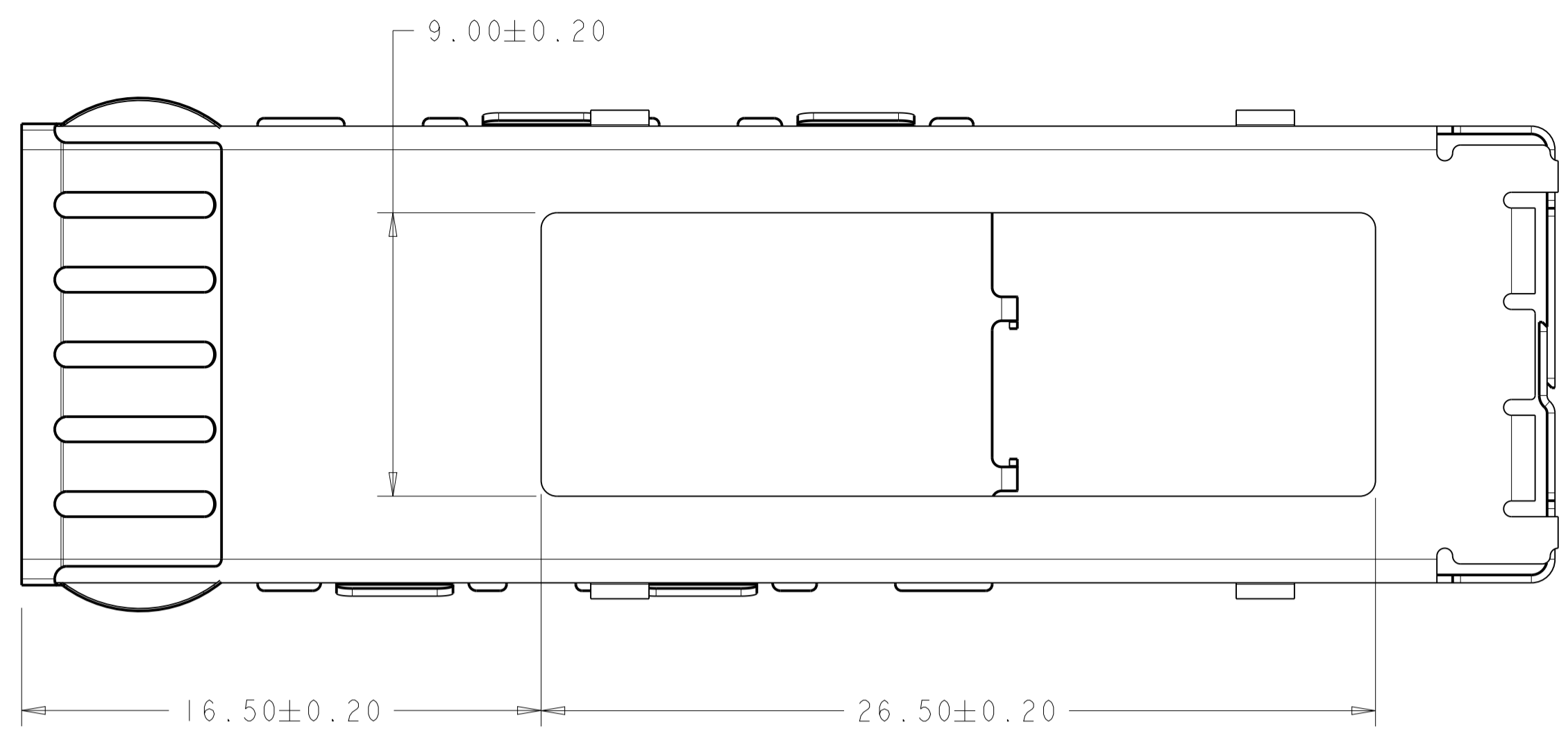
THE DATASHEET OF
2007198-1



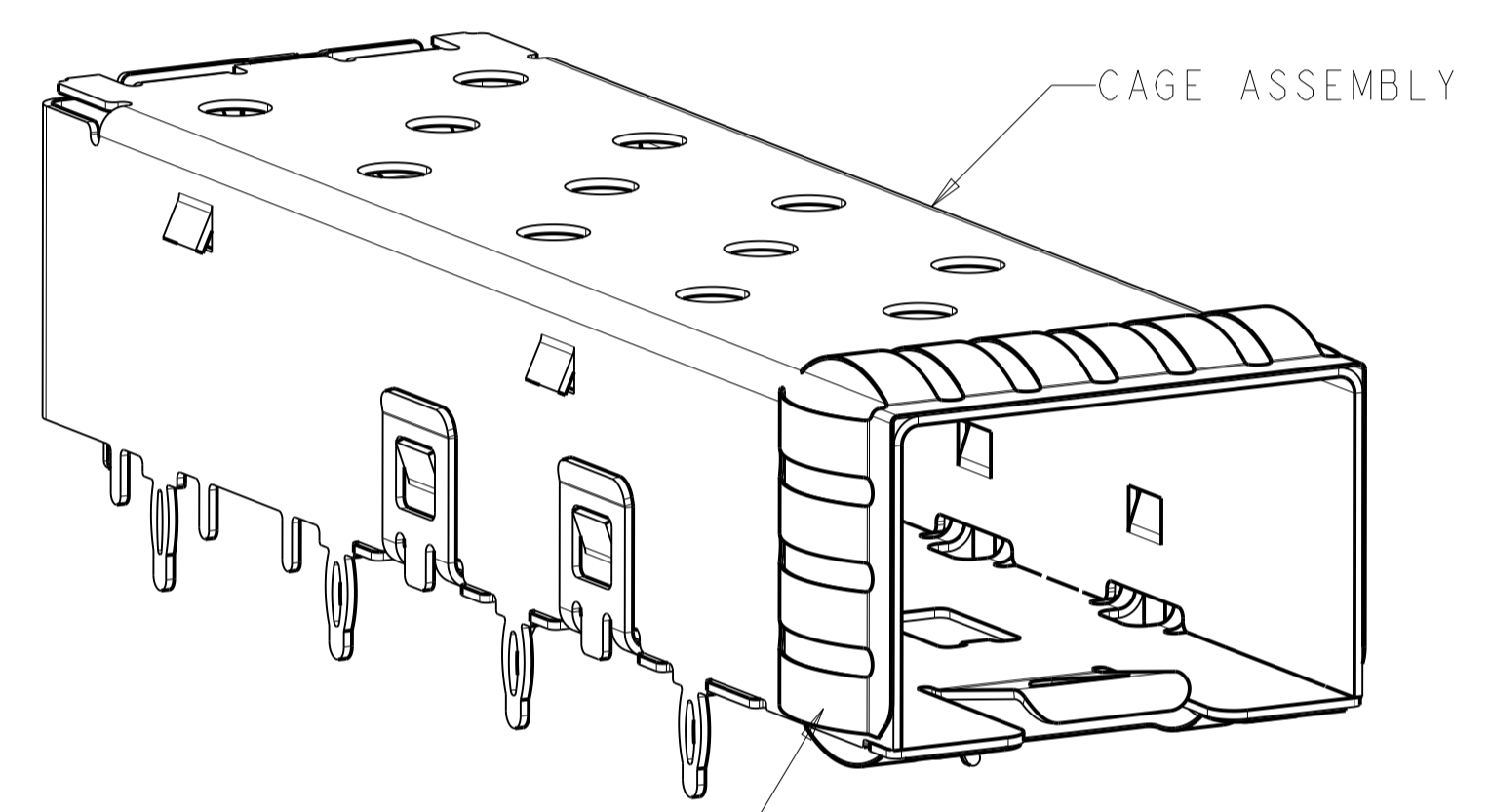
LOC	DIST	REVISIONS			
GP	00	REV	DATE	BY	CHKD
		C	07DEC2011	TX	AC
		C1	09SEP2013	PP	SH
		C2	16JAN2014	PP	SH
		C3	24MAR2014	JZ	SH



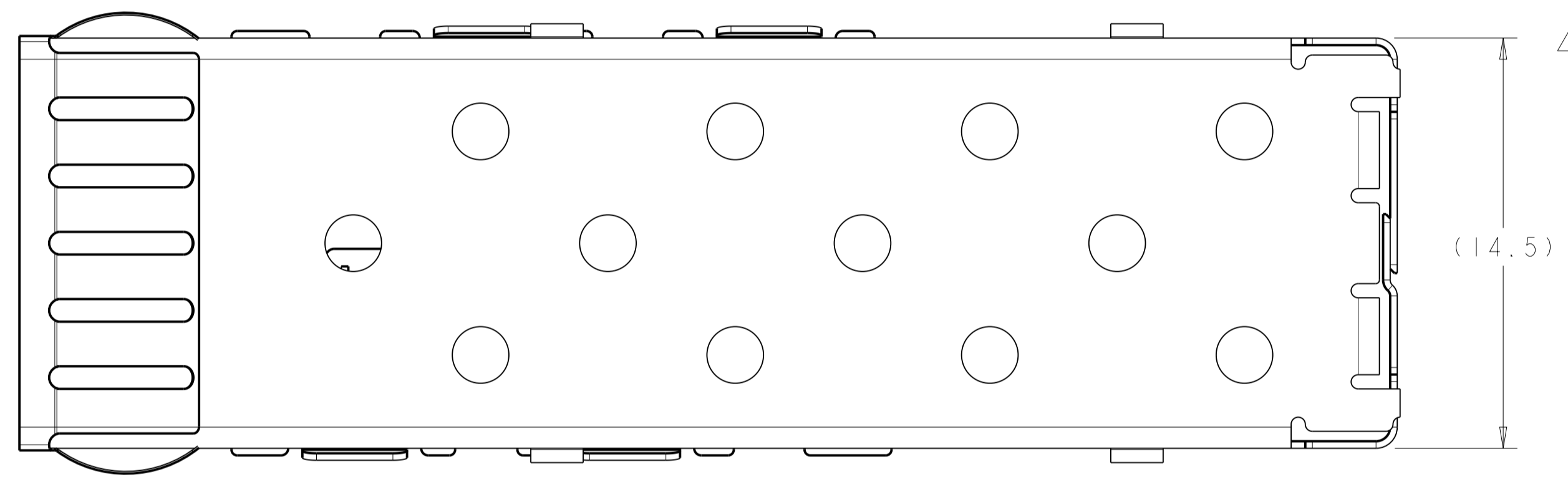
2007198-2
SCALE 5:1



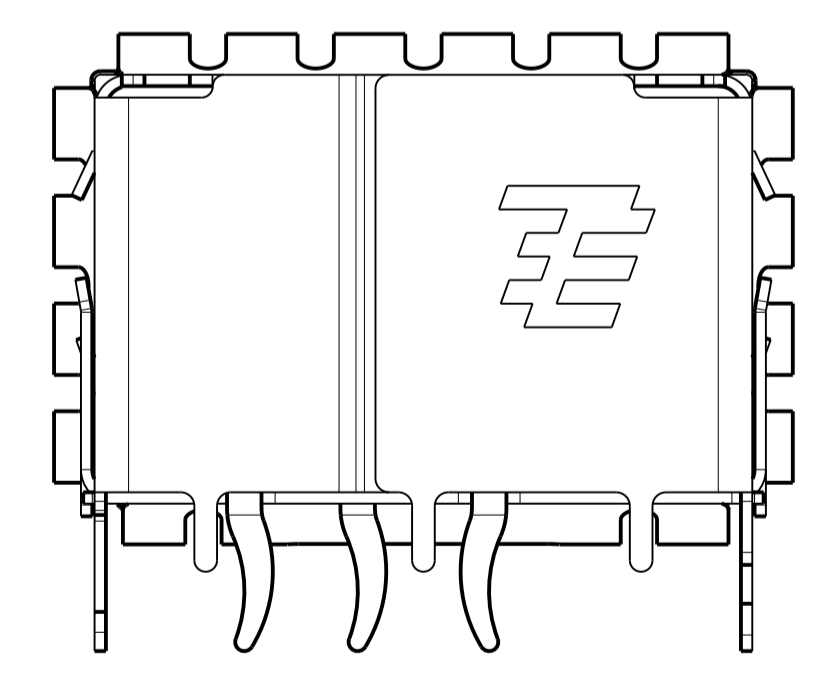
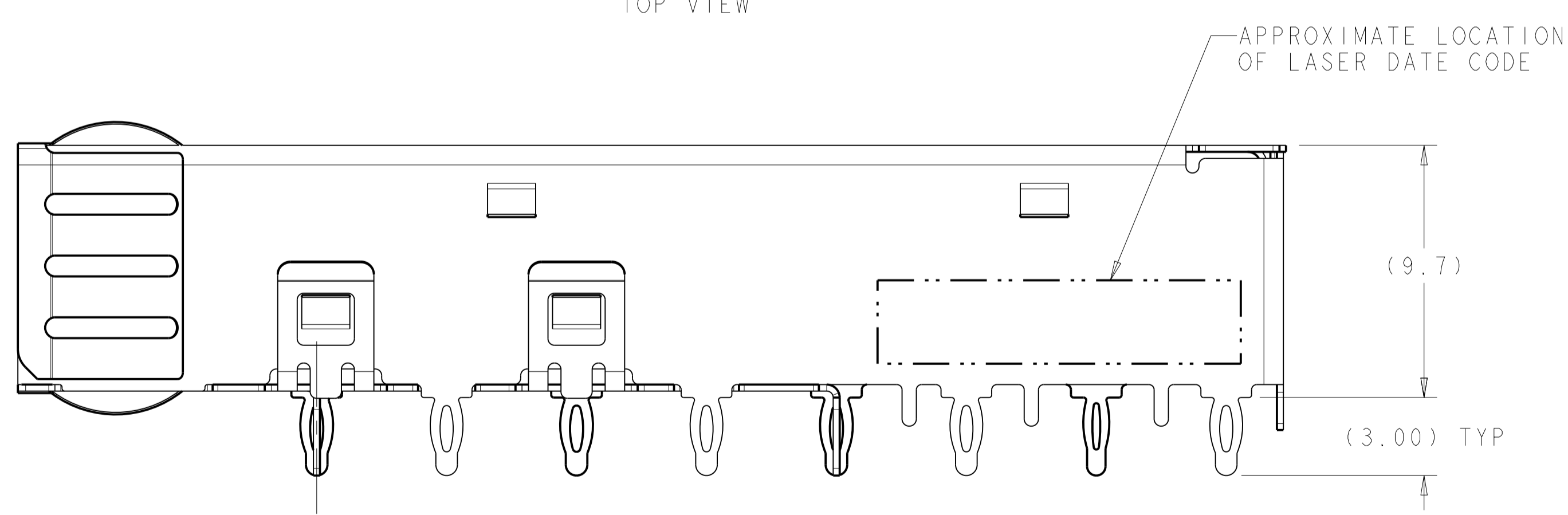
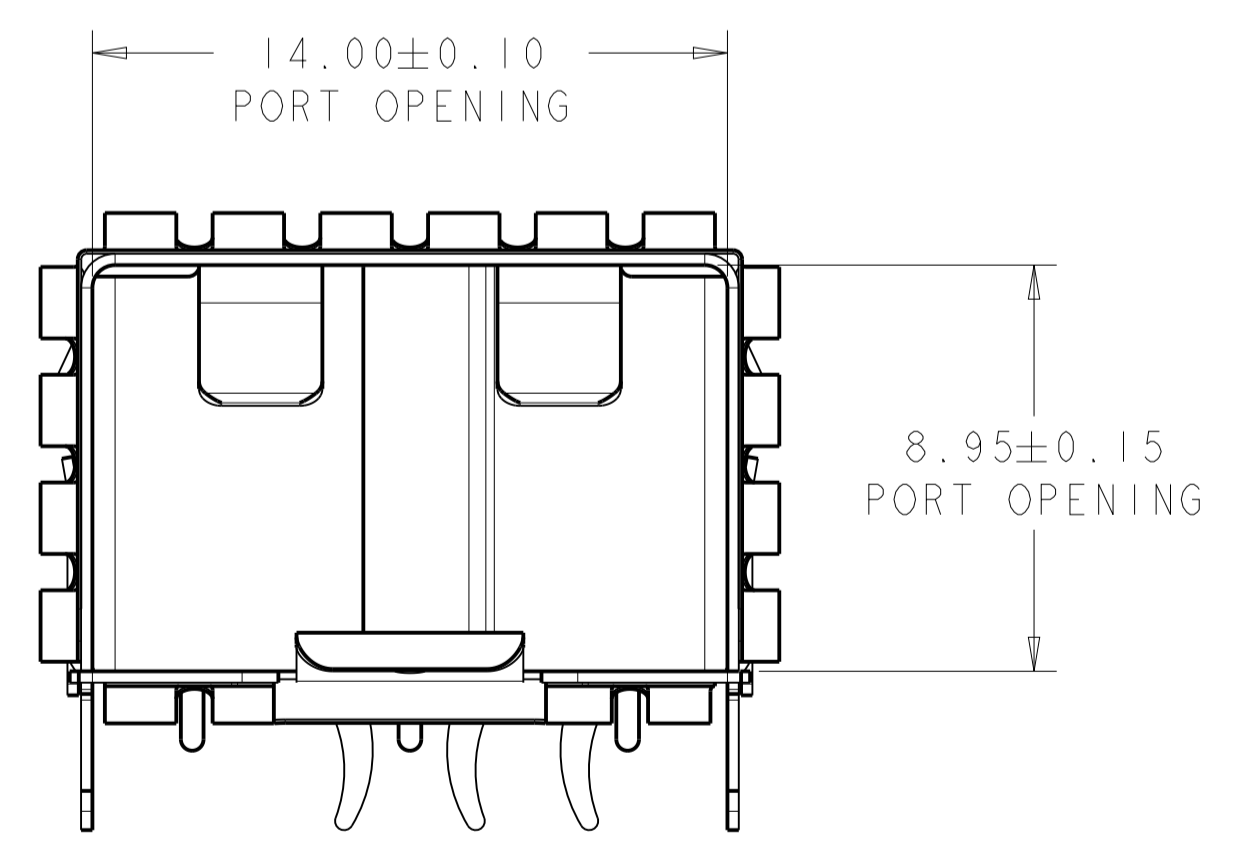
2007198-2
SAME AS 2007198-1 EXCEPT AS SHOWN
TOP VIEW



2007198-1/-9
2007198-9 SAME AS 2007198-1, ONLY PACKAGE DIFFER
SCALE 5:1



2007198-1/-9
TOP VIEW



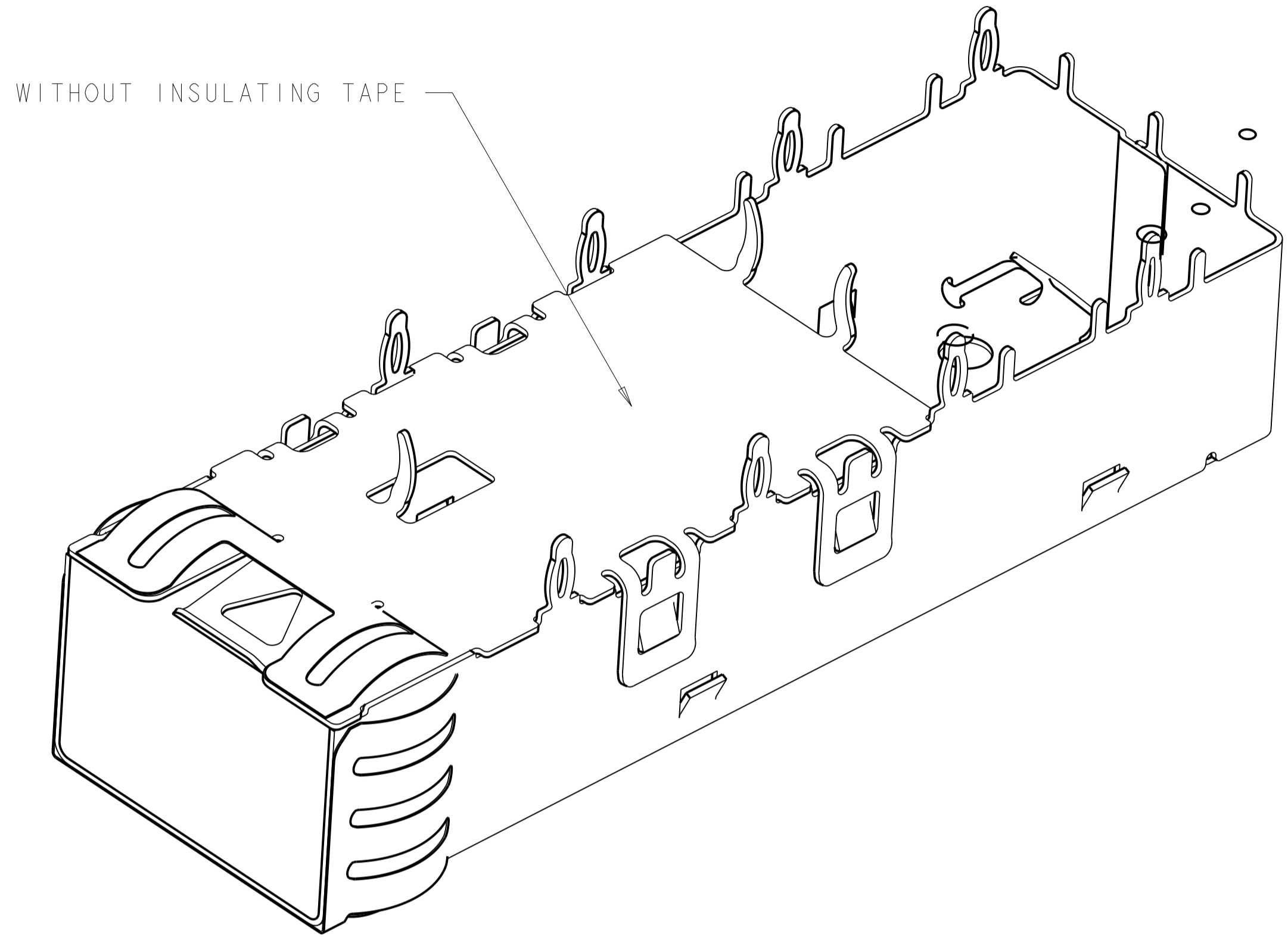
- 1. MATERIAL:
CAGE ASSEMBLY - 0.25mm THICK NICKEL SILVER ALLOY.
EMI SPRINGS - COPPER ALLOY.
- 2. FINISH
EMI SPRINGS - 0.8um MIN MATTE TIN OVER 0.8um MIN NICKEL,
NON-PLATED EDGES PERMISSIBLE.
- 3. MATES WITH SFP MSA COMPLIANT TRANSCEIVERS.
- 4. PADS AND VIAS CHASSIS GROUND.
- 5. DATUM AND BASIC DIMENSION ESTABLISHED BY CUSTOMER.
- 6. MINIMUM PC BOARD THICKNESS:
SINGLE SIDED = 1.50 mm
DOUBLE SIDED = 3.00 mm
- 7. REFERENCE APPLICATION SPEC. 114-13120, HOLE A, FOR
RECOMMENDED DRILL HOLE DIAMETER AND PLATING THICKNESS.
- 8. REFERENCE APPLICATION SPEC. 114-13120, HOLE C, FOR
RECOMMENDED DRILL HOLE DIAMETER AND PLATING THICKNESS.
- 9. NOTE DELETED
- 10. PACKAGE TYPE IS TAPE AND REEL.

INSULATING TAPE	DESCRIPTION	PART NUMBER
W/O INSULATING TAPE	EMI HOLES	2007198-9
W/O INSULATING TAPE	NEW LANCE	2007198-7
W/ INSULATING TAPE	EMI HOLES	2007198-5
W/O INSULATING TAPE	HEATSINK OPENING	2007198-2
W/O INSULATING TAPE	EMI HOLES	2007198-1

THIS DRAWING IS A CONTROLLED DOCUMENT.

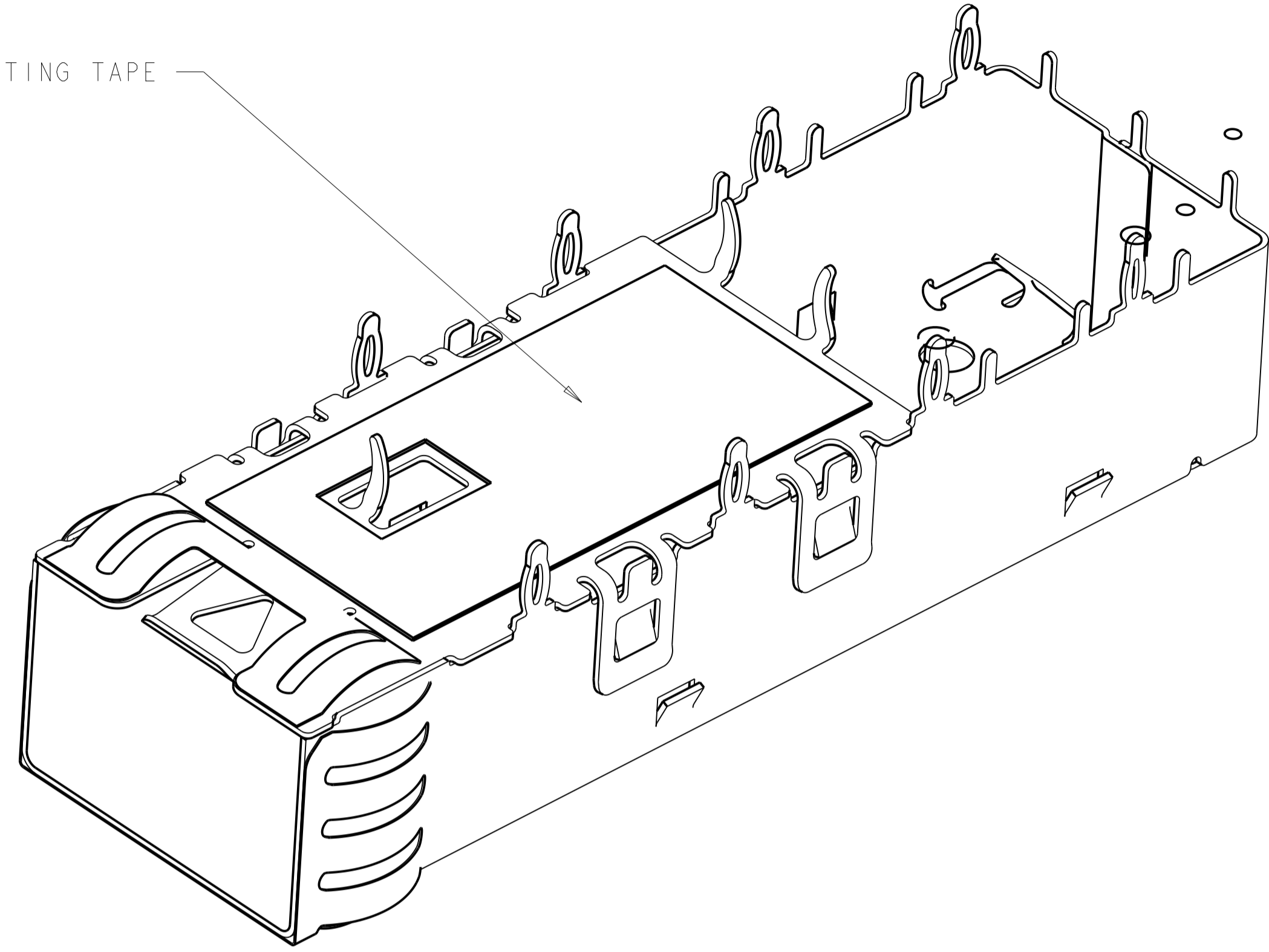
DIMENSIONS:	TOLERANCES UNLESS OTHERWISE SPECIFIED:	DRW: M. SCHMITT 07JUN07	CHK: M. SCHMITT 07JUN07
mm	0 PLC ±0.1 1 PLC ±0.1 2 PLC ±0.1 3 PLC ±0.05 4 PLC ±0.05	APVD: B. WERTZ 07JUN07	NAME: SFP+ 1X1 CAGE ASSEMBLY, PRESS-FIT PRESS-FIT, EMI SPRINGS
		PRODUCT SPEC: 108-2364	SIZE: A1
		APPLICATION SPEC: 114-13120	CAGE CODE: 2007198
		WEIGHT: -	RESTRICTED TO: -
		Customer Drawing	SCALE: 6:1 SHEET 1 OF 4 REV: C3

LOC		DIST		REVISIONS			
GP	00	P	LTN	DESCRIPTION	DATE	DMN	APVD
		-		SEE SHEET 1			

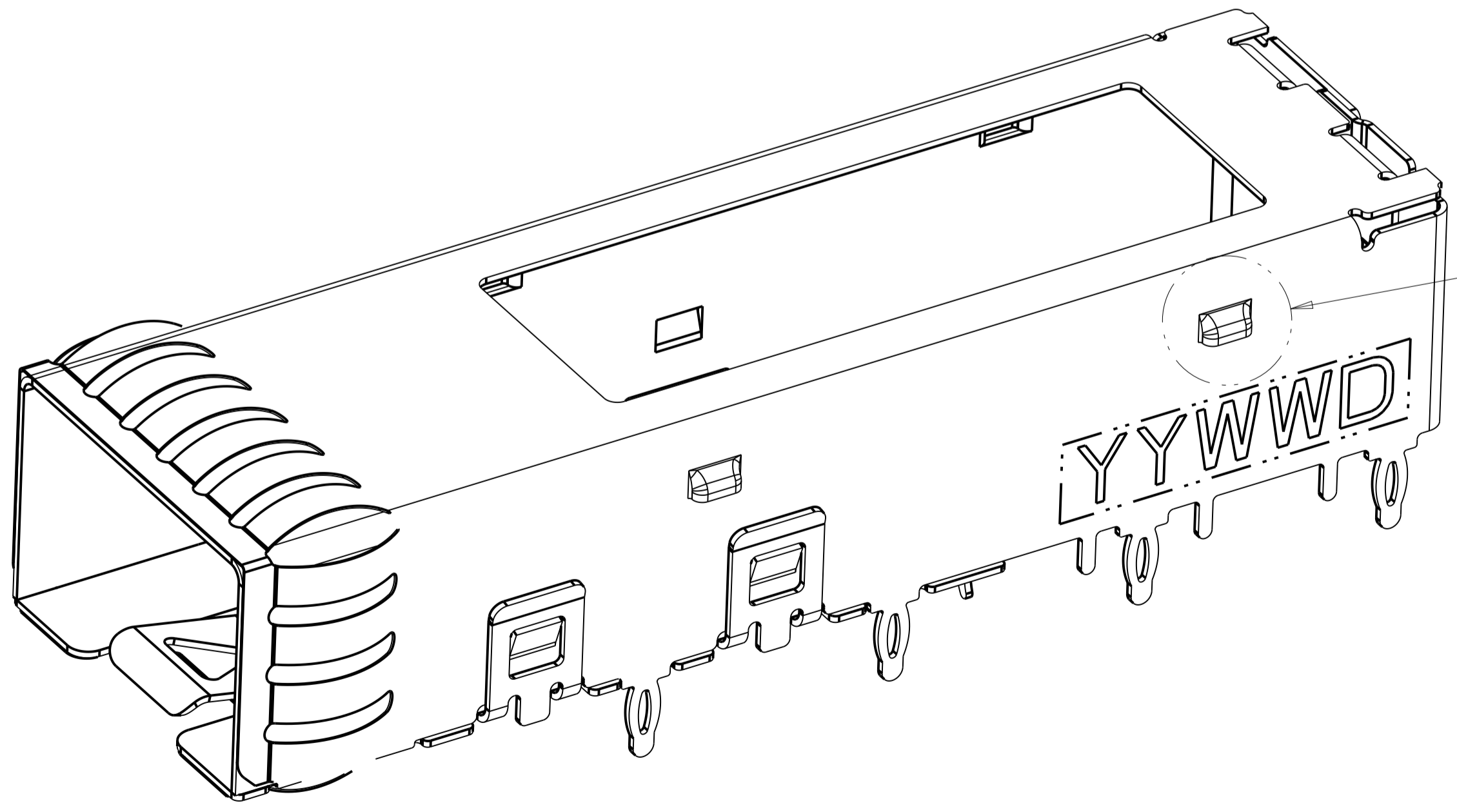


2007198-1,2,9 AS SHOWN WITHOUT INSULATING TAPE

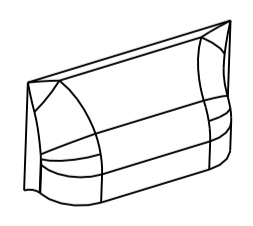
WITH INSULATING TAPE



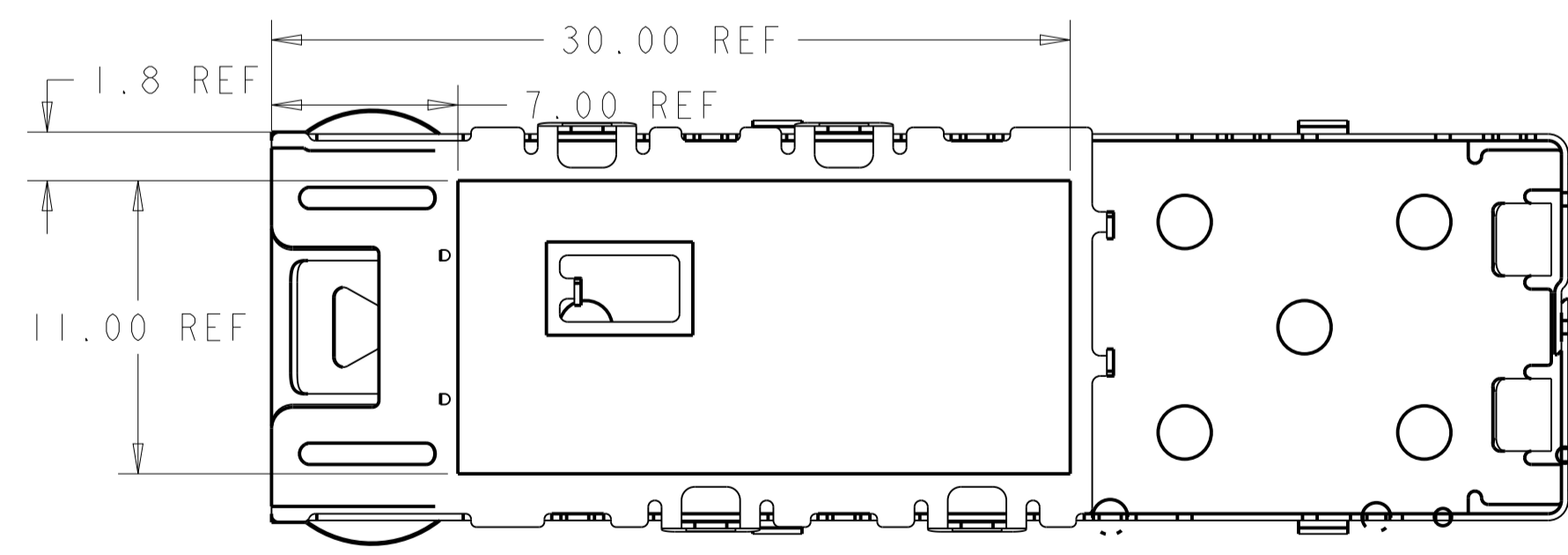
2007198-5 AS SHOWN WITH INSULATING TAPE



2007198-7
 SAME AS 2007198-2 EXCEPT AS SHOWN
 TOP VIEW



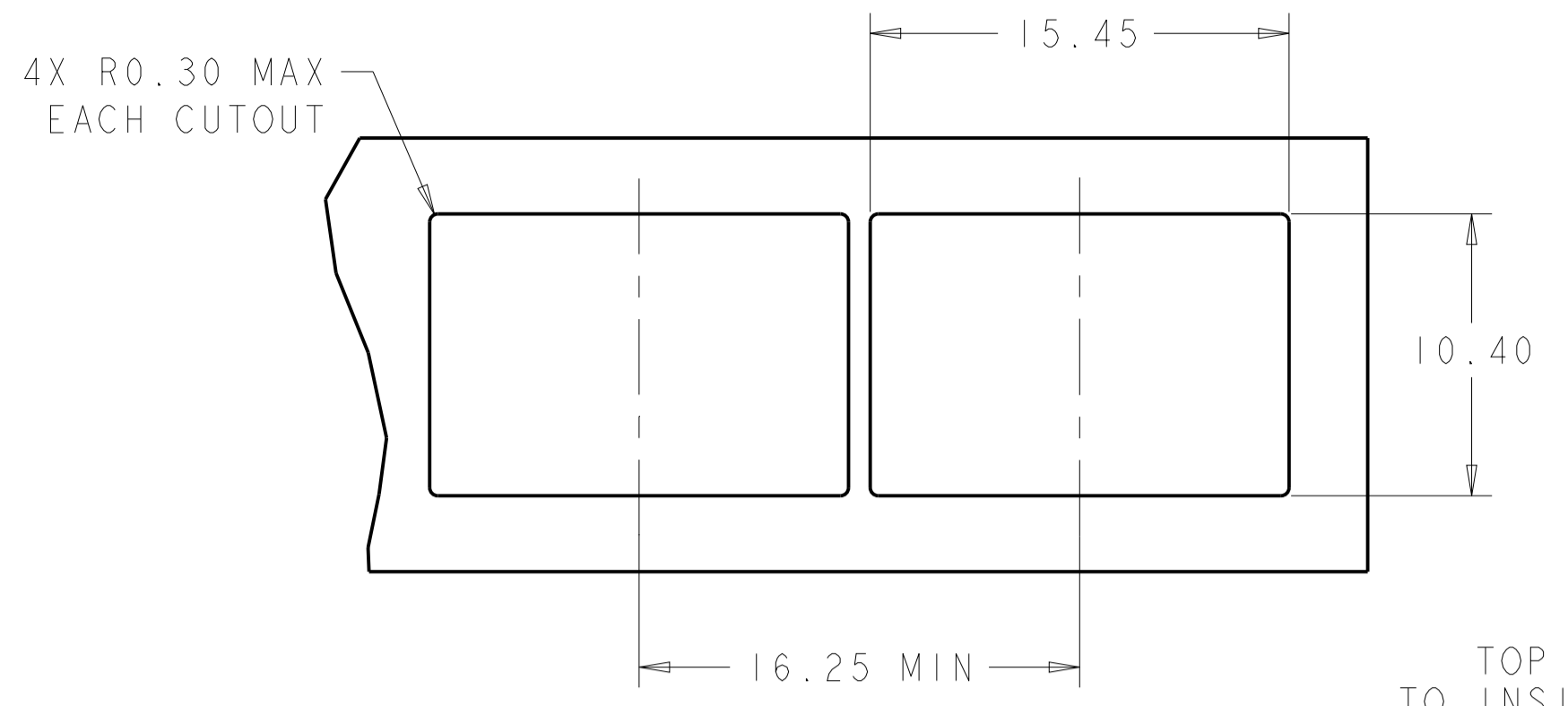
DETAIL C
 SCALE 15:1



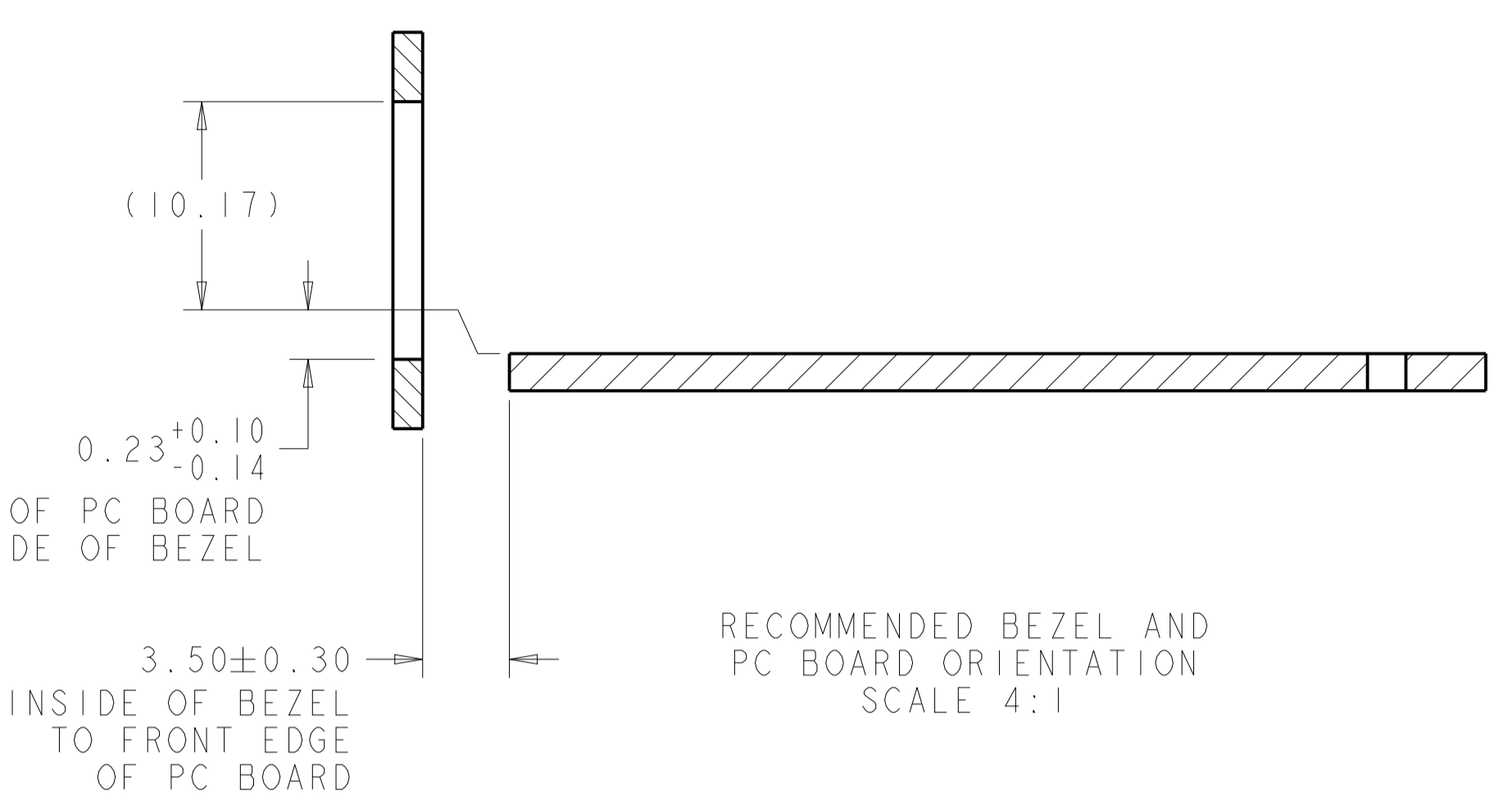
SCALE 4:1
 2007198-5 AS SHOWN THE LOCATION OF THE TAPE

THIS DRAWING IS A CONTROLLED DOCUMENT.		DMN M. SCHMITT 07JUN07	STE TE Connectivity
DIMENSIONS: mm		CHK M. SCHMITT 07JUN07	
TOLERANCES UNLESS OTHERWISE SPECIFIED:		APVD B. WERTZ 07JUN07	NAME SFP+ IXI CAGE ASSEMBLY, PRESS-FIT PRESS-FIT, EMI SPRINGS
0 PLC ±0.1		PRODUCT SPEC	SIZE CAGE CODE DRAWING NO RESTRICTED TO
1 PLC ±0.1		108-2364	A100779C=2007198
2 PLC ±0.1		APPLICATION SPEC	SCALE 6:1 SHEET 2 OF 4 REV C.3
3 PLC ±0.05		114-13120	
4 PLC ±0.05		WEIGHT	
ANGLES ±0.05		Customer Drawing	
FINISH			

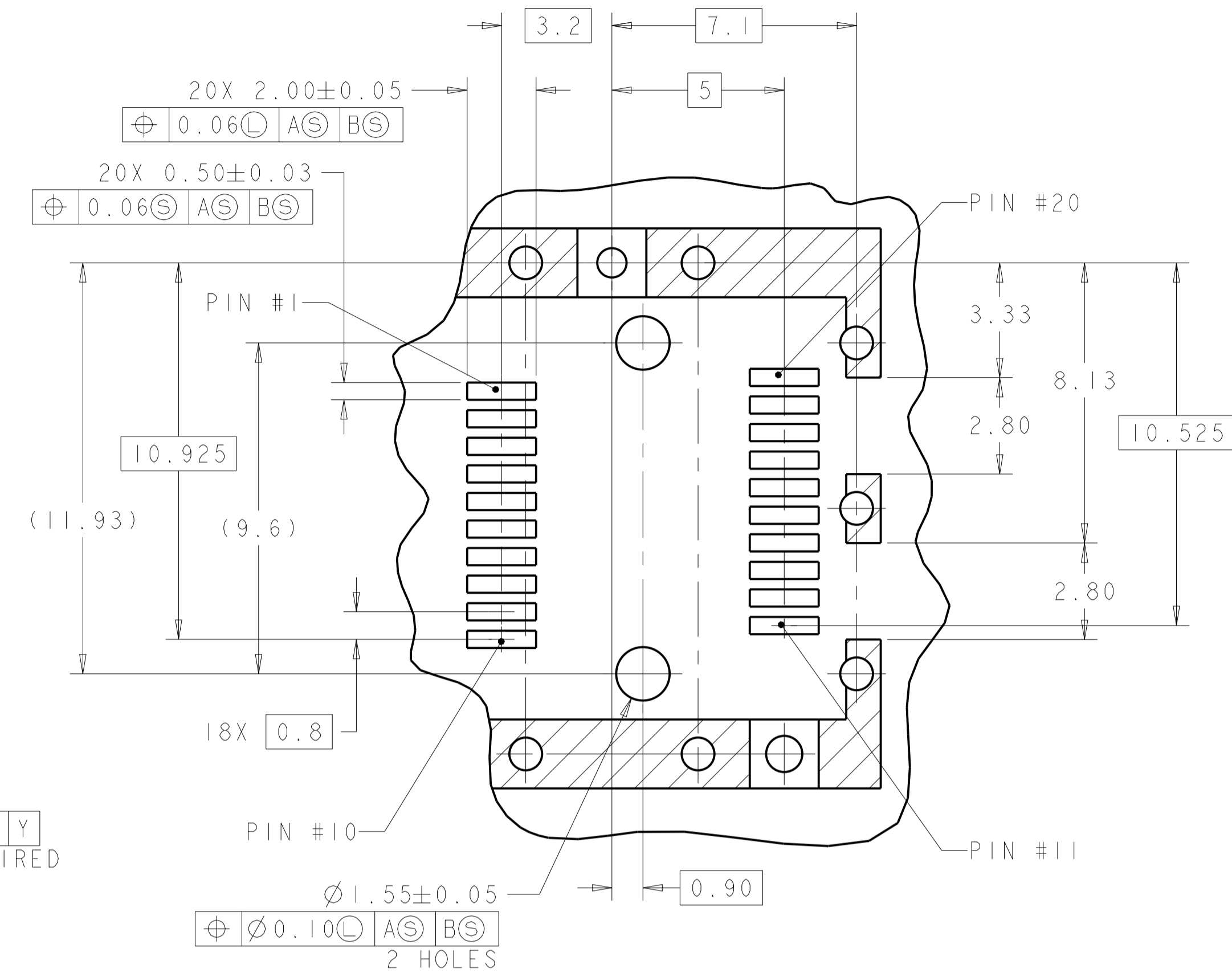
LOC	DIST	REV	DATE	BY	APPV
GP	00				



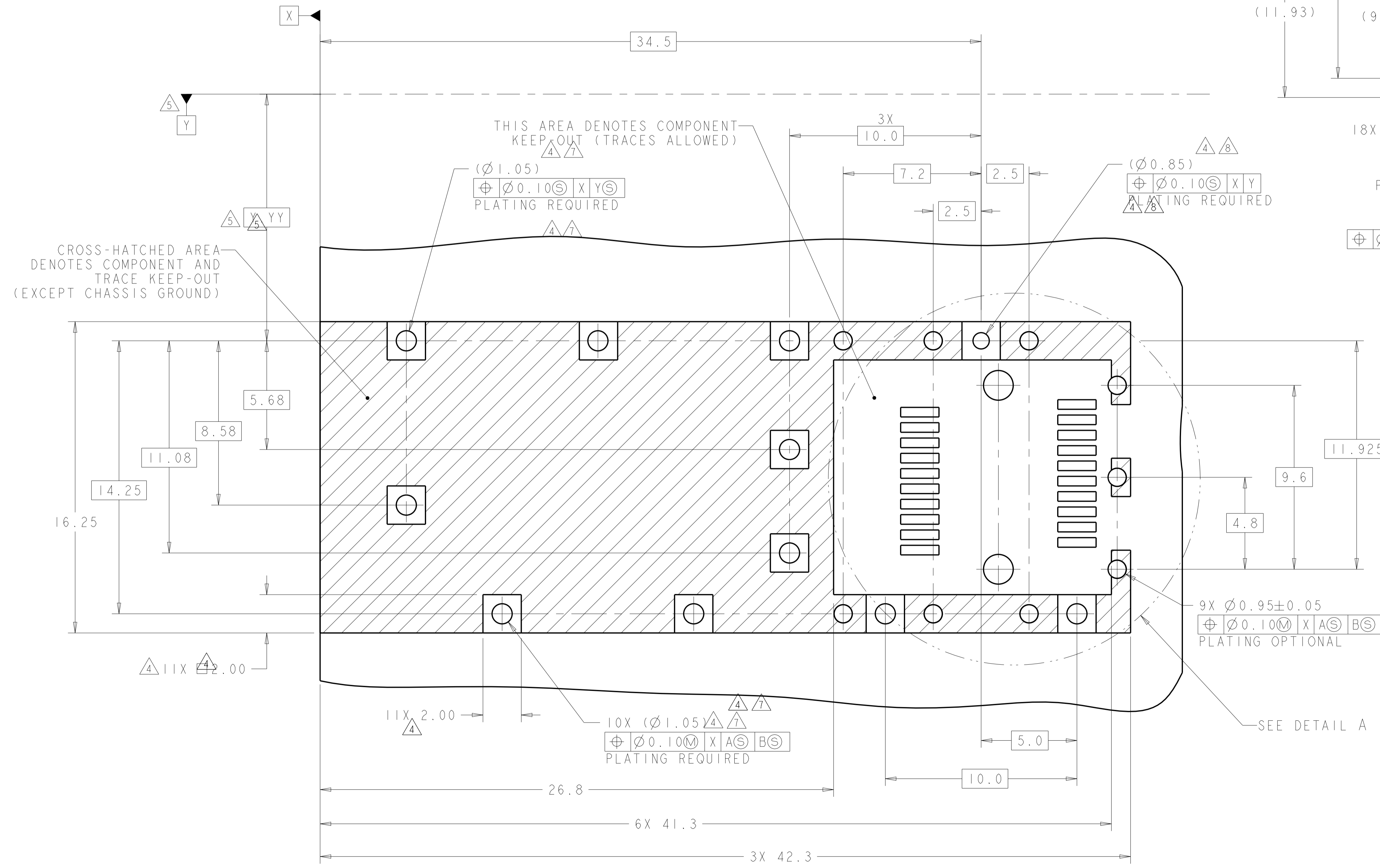
RECOMMENDED BEZEL CUTOUT SCALE 4:1



RECOMMENDED BEZEL AND PC BOARD ORIENTATION SCALE 4:1



DETAIL A SCALE 8:1



RECOMMENDED PCB LAYOUT SCALE 8:1

CROSS-HATCHED AREA DENOTES COMPONENT AND TRACE KEEP-OUT (EXCEPT CHASSIS GROUND)

THIS AREA DENOTES COMPONENT KEEP-OUT (TRACES ALLOWED)

PLATING REQUIRED

PLATING REQUIRED

PLATING OPTIONAL

SEE DETAIL A

THIS DRAWING IS A CONTROLLED DOCUMENT.		OWN: M. SCHMITT 07JUN07	TE Connectivity
DIMENSIONS: mm		CHK: M. SCHMITT 07JUN07	
TOLERANCES UNLESS OTHERWISE SPECIFIED:		APV: B. WERTZ 07JUN07	NAME: SFP+ 1X1 CAGE ASSEMBLY, PRESS-FIT PRESS-FIT, EMI SPRINGS PRODUCT SPEC: 108-2364 APPLICATION SPEC: 114-13120
0 PLC ±0.1 1 PLC ±0.1 2 PLC ±0.1 3 PLC ±0.05 4 PLC ±0.05 ANGLES ±0.05		SIZE: A1 CAGE CODE: 00779 DRAWING NO: C=2007198	
MATERIAL: FINISH:		WEIGHT:	RESTRICTED TO:
		Customer Drawing	SCALE: 6:1 SHEET 3 OF 4 REV: C3

Looking for pricing, stock, or lifecycle information?

Click below to explore more details on WIN SOURCE:

 [View 2007198-1](#) on WIN SOURCE

 [TE Connectivity](#) Information

Optimize Your Supply Chain with WIN SOURCE Solutions

-  Global Sourcing Solution
-  Obsolete Management
-  Cost Control Management
-  Shortage Management
-  Alternative Solution
-  Excess Inventory Management