



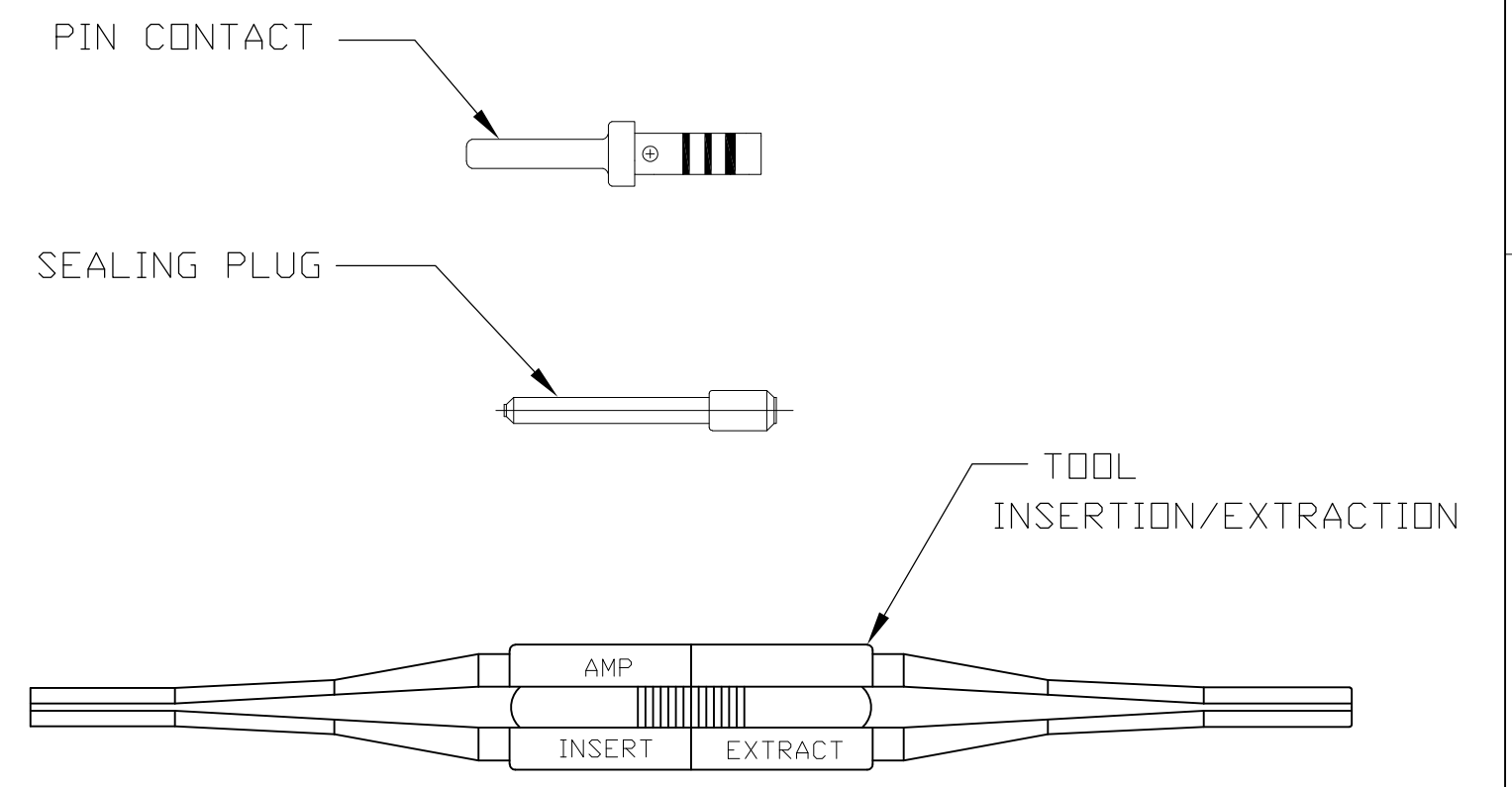
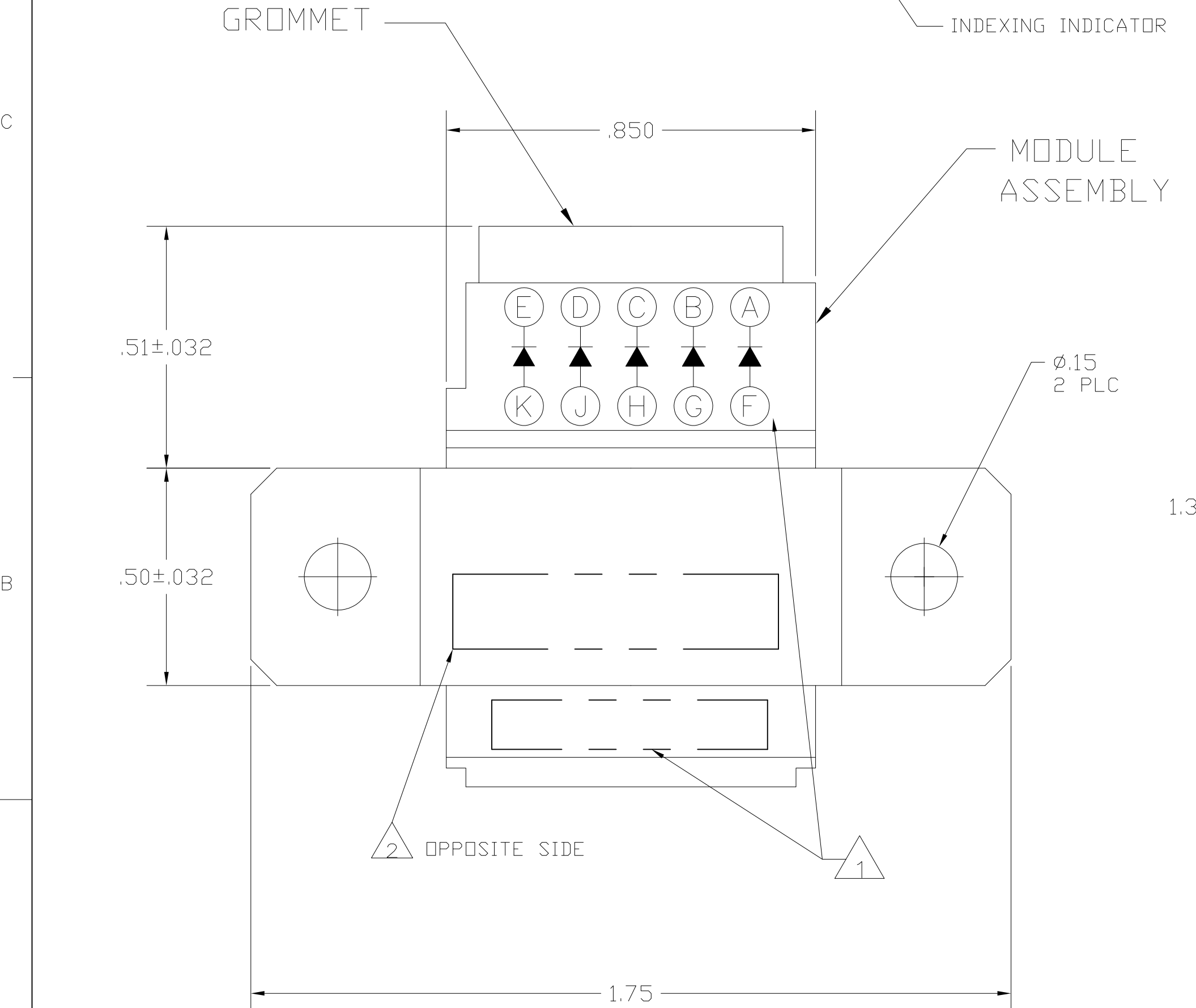
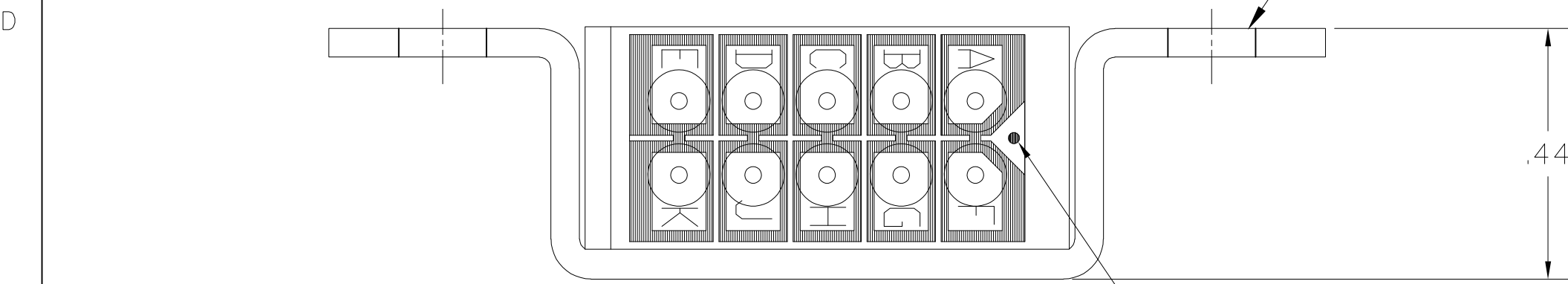
THE DATASHEET OF
591856-1



THIS DRAWING IS UNPUBLISHED. RELEASED FOR PUBLICATION
 © COPYRIGHT BY TYCO ELECTRONICS CORPORATION. ALL RIGHTS RESERVED.

| LOC | | DIST | | REVISIONS | | | |
|-----|-----|-----------------------|-----------|-----------|------|--|--|
| P | LTR | DESCRIPTION | DATE | DWN | APVD | | |
| DF | - | | | | | | |
| | E | REV PER ECO 08-000580 | 15JAN2009 | PK | DE | | |

- 1 ASSEMBLIES ARE IDENTIFIED WITH "AMP", AMP P/N, DATE CODE AND DIODE SCHEMATIC ON MODULE AT AREA SHOWN.
- 2 DIODE MAY BE A COMMERCIAL DIODE THAT HAS BEEN SCREENED TO MEET THE REQUIREMENTS OF JANTXIN5552.



| DESCRIPTION | MATERIAL | FINISH |
|--------------------------|----------------------------------------------------|------------------------------------------------------|
| INSERTION/REMOVAL TOOL | THERMOPLASTIC | COLOR: RED |
| SEALING PLUG | TEFLON | COLOR: RED |
| PIN CONTACT | BRASS/LEADED COPPER | GOLD PLATE PER MIL-G-45204 |
| GROMMET | FLUOROSILICONE RUBBER | COLOR: BLUE |
| MODULE ASSEMBLY | THERMOSET EPOXY | COLOR: BLACK |
| CONTACT, SOCKET ASSEMBLY | BERYLLIUM COPPER ASTM-B194 | GOLD PLATE PER MIL-G-45204 |
| CLIP CONTACT RETAINING | BERYLLIUM COPPER PER ASTM-B194 OR SST PER QQ-S-766 | NONE |
| BRACKET | AL-ALLOY 6061-T4 (.050 THK) | CADMIUM PLATE PER QQ-P-416 CHROMATE COLOR OLIVE DRAB |
| DIODE JANTXIN5552 | | |

THIS DRAWING IS A CONTROLLED DOCUMENT.

| | | |
|------------------|-----------|---------|
| DWN | J. MECK | 7-27-92 |
| CHK | J. HARMON | 8-10-93 |
| APVD | J. HARMON | 8-10-93 |
| PRODUCT SPEC | | |
| APPLICATION SPEC | | |
| WEIGHT | - | |

Tyco Electronics Tyco Electronics Corporation
Harrisburg, PA 17105-3608

NAME: MODULE, FEED- BACK ASSY (MRTB) SIZE 20

| | | | |
|------|-----------|------------|---------------|
| SIZE | CAGE CODE | DRAWING NO | RESTRICTED TO |
| A2 | 00779 | C=591856 | - |

CUSTOMER DRAWING SCALE 4:1 SHEET 1 of 1 REV E

Looking for pricing, stock, or lifecycle information?

Click below to explore more details on WIN SOURCE:

 [View 591856-1](#) on WIN SOURCE

 [TE Connectivity](#) Information

Optimize Your Supply Chain with WIN SOURCE Solutions

-  Global Sourcing Solution
-  Obsolete Management
-  Cost Control Management
-  Shortage Management
-  Alternative Solution
-  Excess Inventory Management