

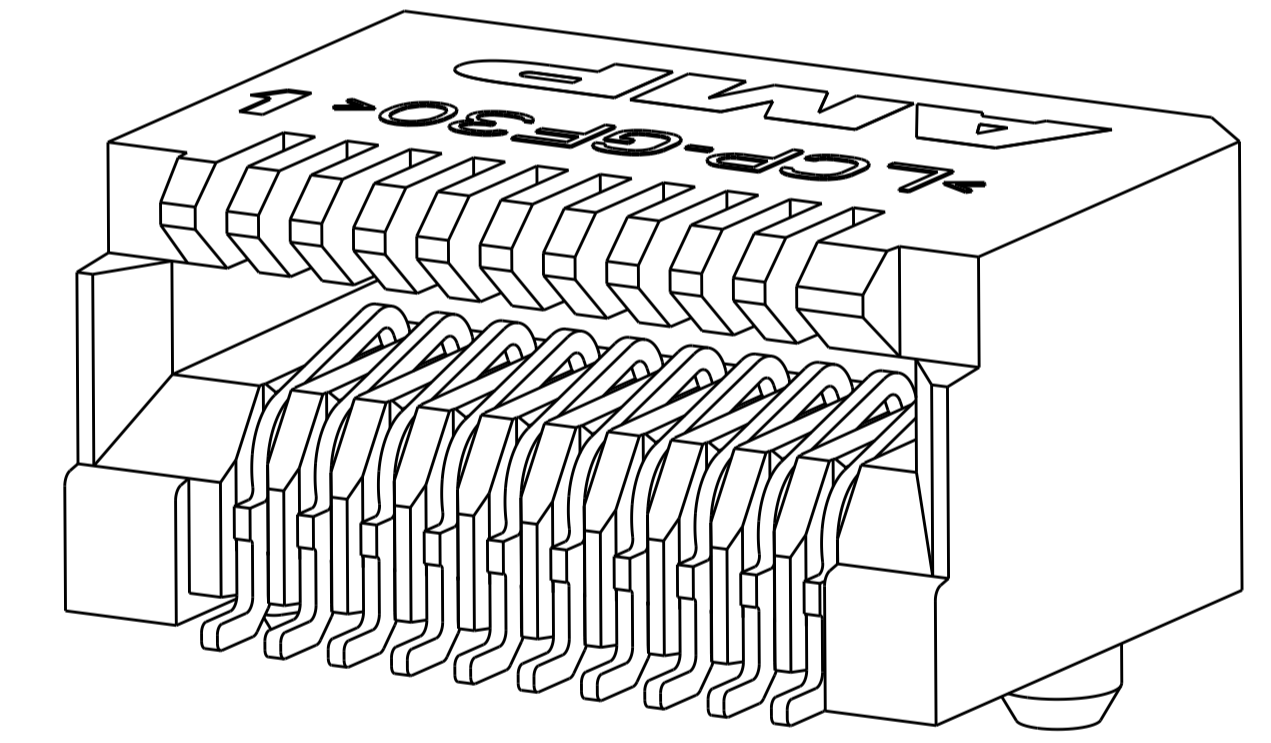
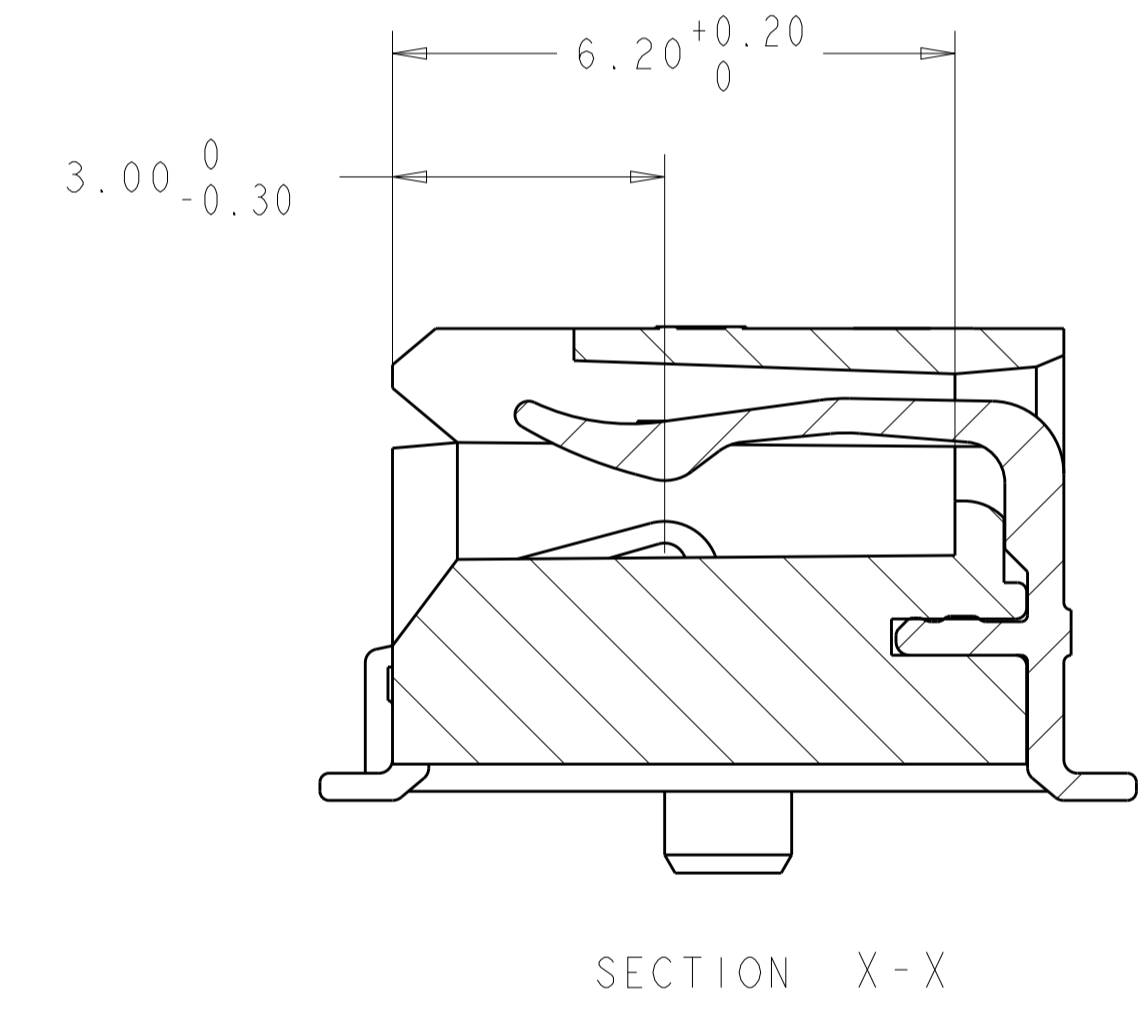
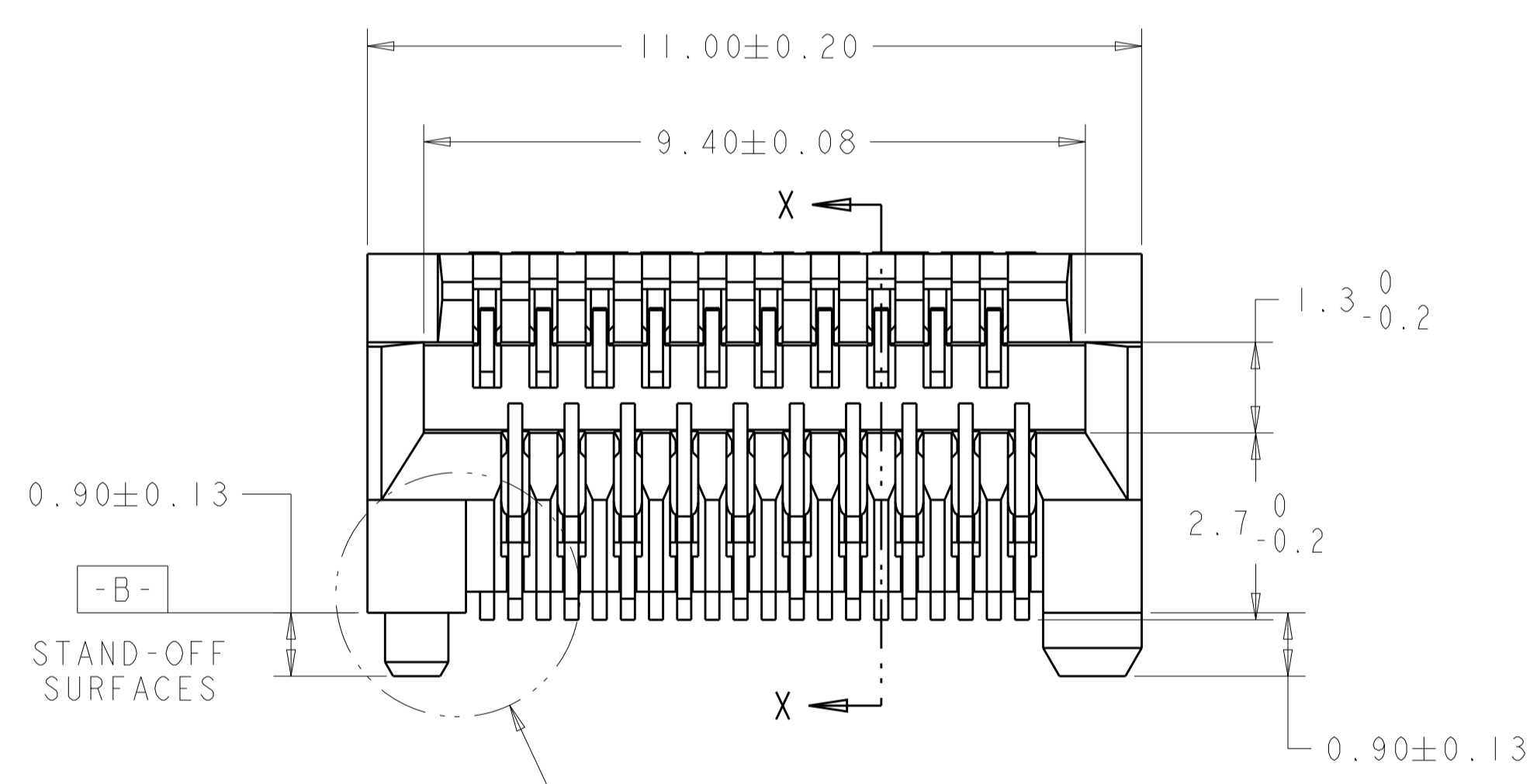
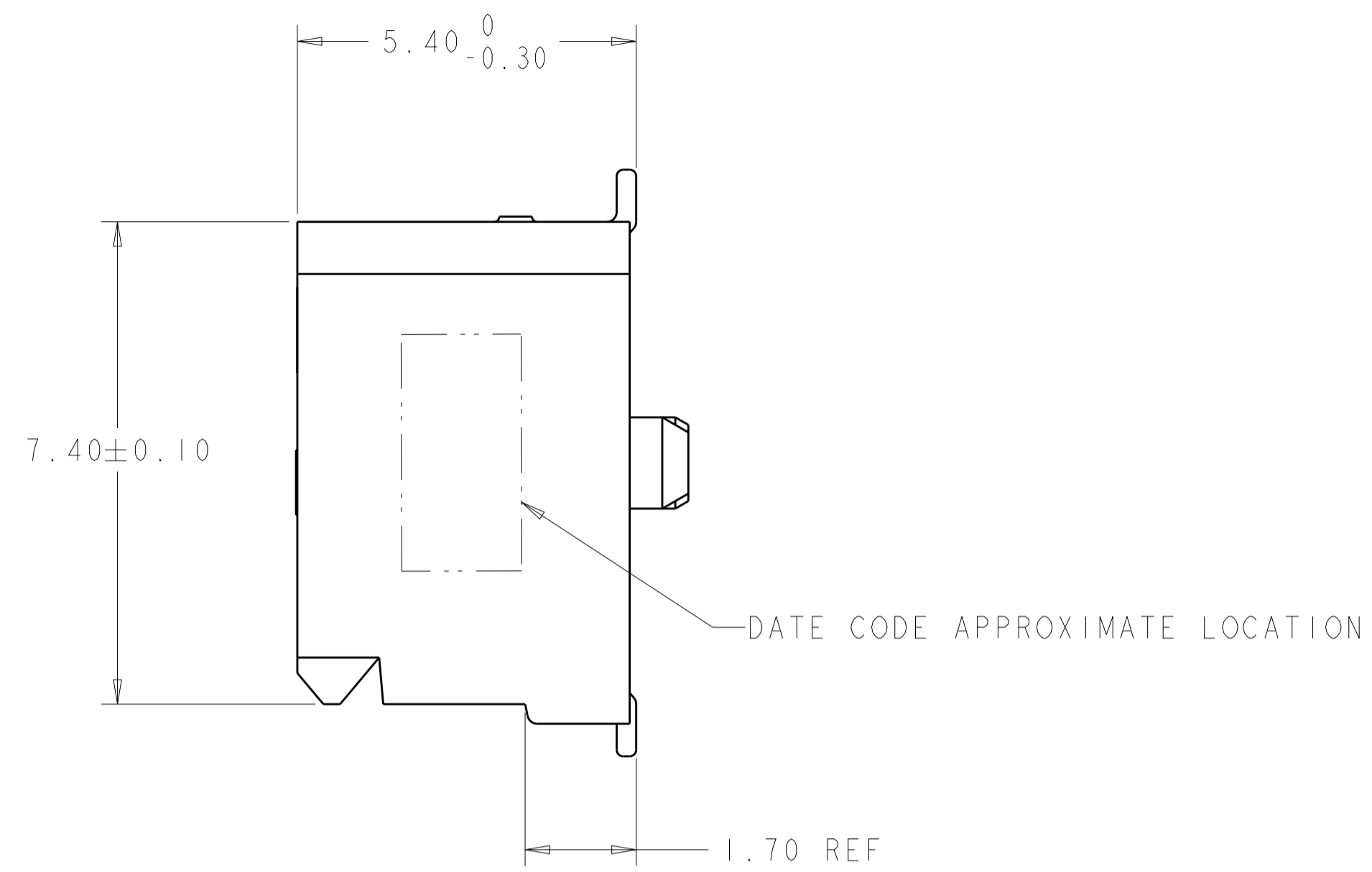
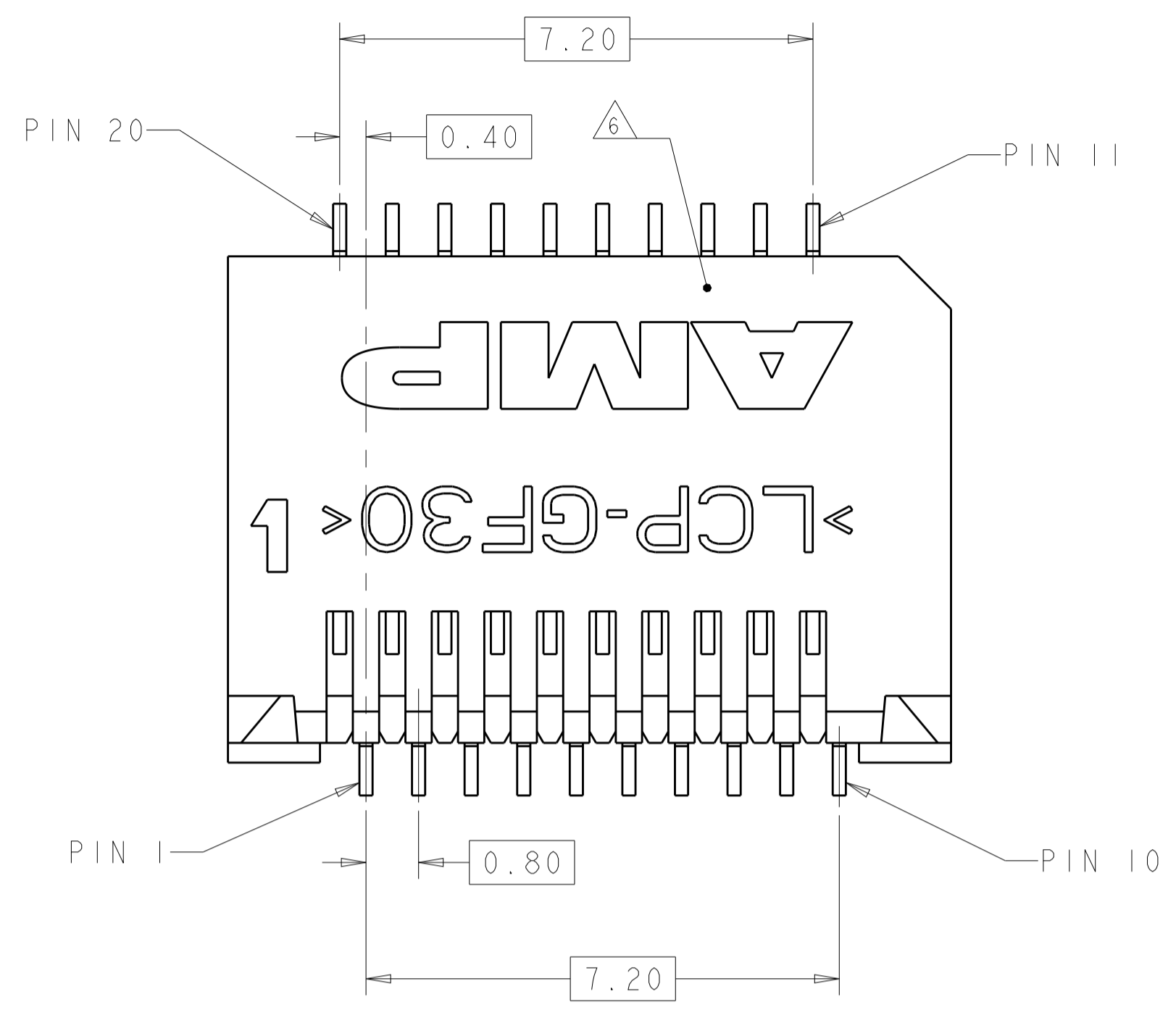


THE DATASHEET OF
1888247-2

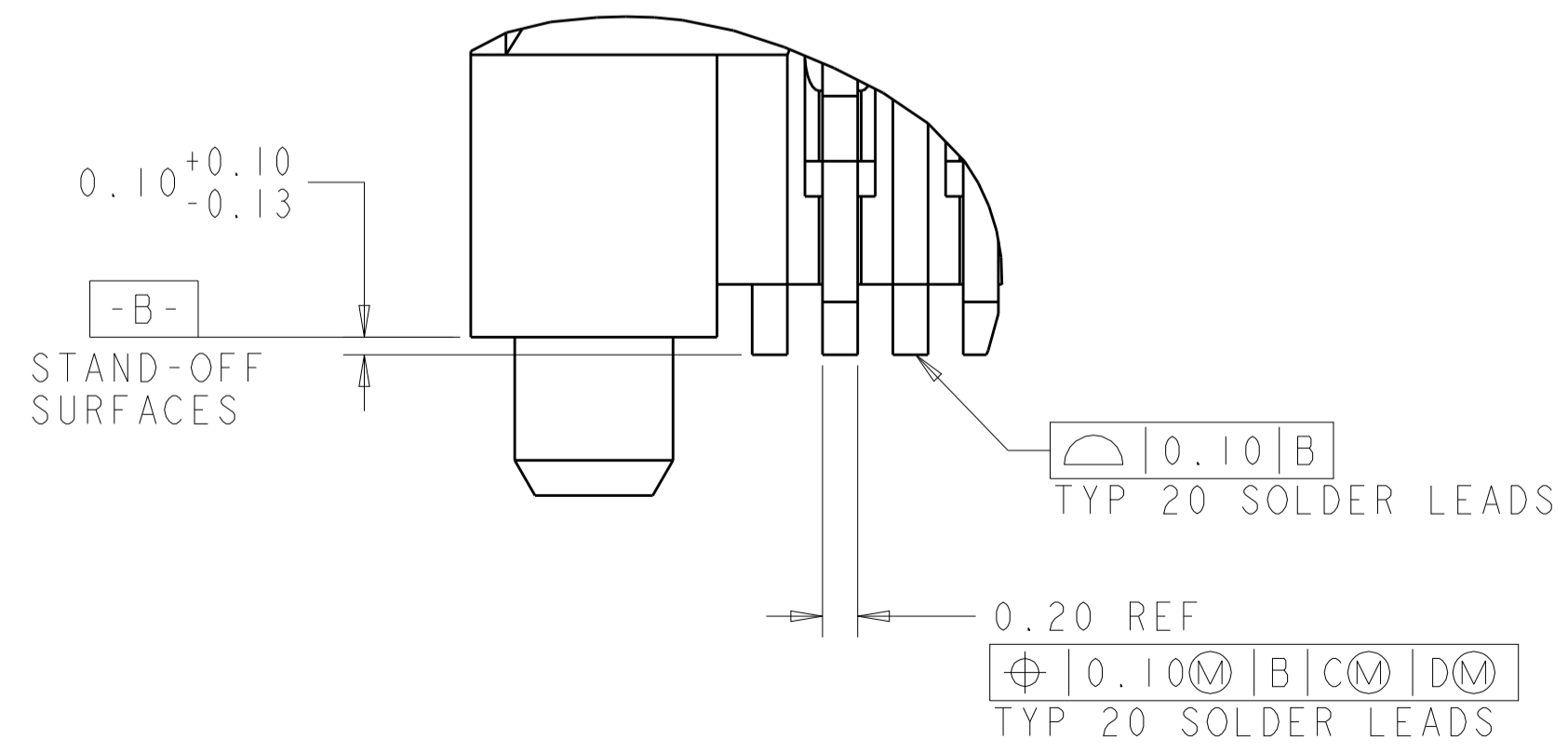
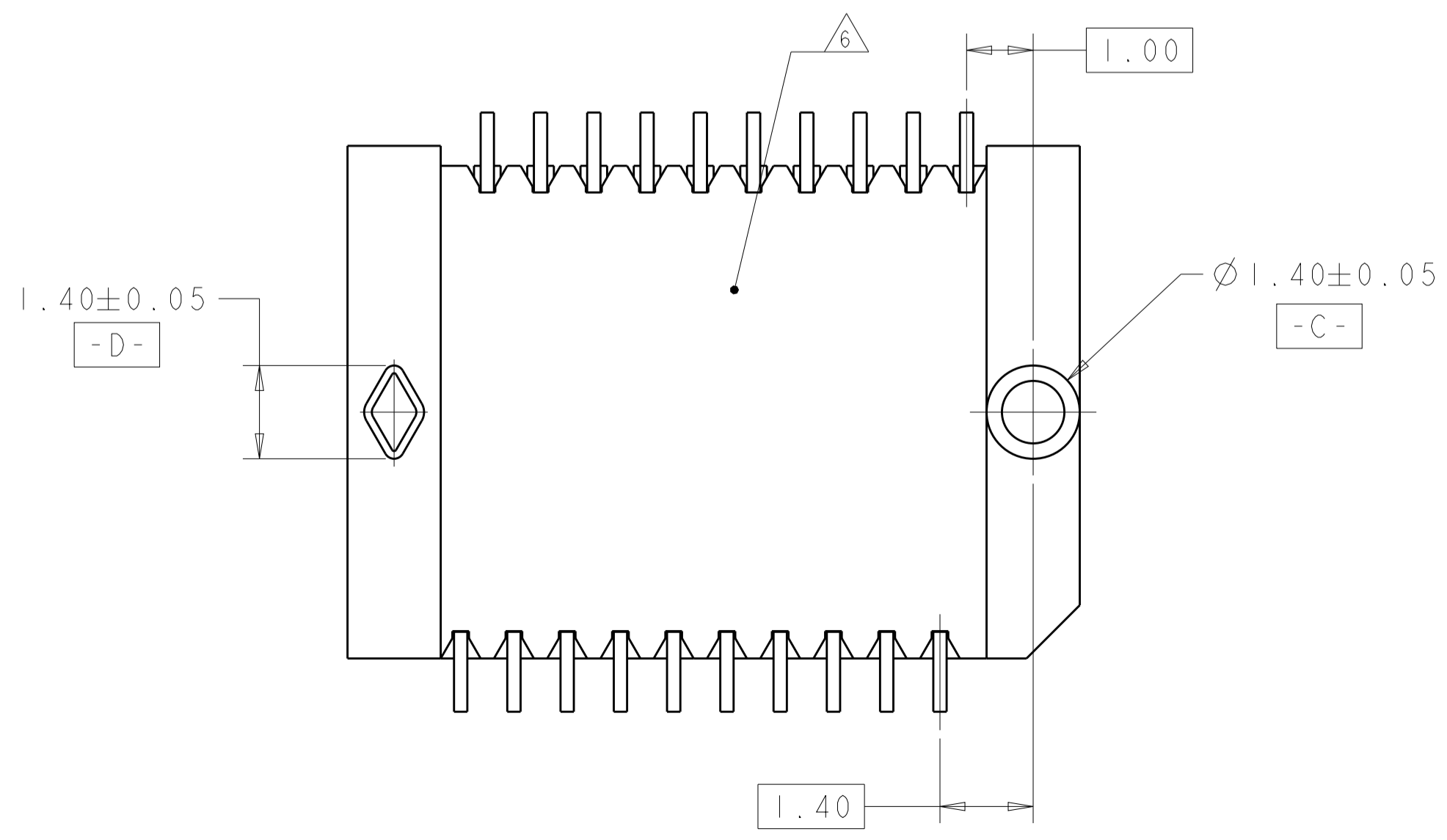


LOC	DIST	REVISIONS			
P	LTN	DESCRIPTION	DATE	DWN	APVD
K		REVISED PER ECO-12-015815	07NOV2012	TX	AC
L		REVISED PER ECO-15-018066	16DEC2015	PP	SH
M		UPDATE NICKEL PLATING AND ADD NOTE 8	20JUN2017	JW	SH
N		REVISED PER ECR-19-009785	24JUN2019	IT	SH

- 1. MATERIAL:
HOUSING: HIGH TEMPERATURE LCP, UL 94V-0 RATED, BLACK
CONTACTS: PHOSPHOR BRONZE.
- 2. FINISH:
CONTACTS: 0.00076 MIN GOLD ON CONTACT AREA, 0.00013 MIN GOLD ON SOLDER AREA. ALL OVER 0.00127 MIN NICKEL UNDERPLATE ON ENTIRE CONTACT. LUBRICANT ON GOLD PLATE CONTACT AREAS.
- 3. PACKAGED 480 PIECES PER REEL.
- 4. DATUMS AND BASIC DIMENSIONS TO BE ESTABLISHED BY CUSTOMER, SEE DRAWING 1367034 FOR LAYOUT WHEN USED WITH 1367034-1 BOTTOM CAGE (STANDARD SFP APPLICATION).
- 5. FINISH:
CONTACTS: 0.00038 MIN GOLD ON CONTACT AREA, 0.00013 MIN GOLD ON SOLDER AREA. ALL OVER 0.00127 MIN NICKEL UNDERPLATE ON ENTIRE CONTACT. LUBRICANT ON GOLD PLATE CONTACT AREAS.
- 6. PULL GROOVES PERMITTED ON THESE SURFACES AT MOLDING ENGINEERING DISCRETION
- 7. FOR ESD PROTECTION TAPE AND REEL PACKAGE ONLY. MATERIALS (COVER TAPE, EMBOSS TAPE, REEL, INNER LABEL ON REEL) USED WITH AN EPA AREA MUST PRIMARILY BE ELECTROSTATIC CONDUCTIVE OR ELECTROSTATIC DISSIPATIVE. NO MATERIAL SHOULD BE CHARGED UP TO MORE THAN 100 VOLTS.
- 9. TEMPERATURE RATING: -55°C TO 105°C



1888247-1,2,3,4,5 AS SHOWN



DETAIL H
SCALE 25:1

NO	FINISH	PART NUMBER
NO	2	1888247-5
YES	3	1888247-4
YES	2	1888247-3
NO	3	1888247-2
NO	2	1888247-1

DIMENSIONS:		TOLERANCES UNLESS OTHERWISE SPECIFIED:		MATERIAL:		FINISH:	
mm	0 PLC ±	1 PLC ±0.10	2 PLC ±	3 PLC ±	4 PLC ±	ANGLES ±	FINISH -

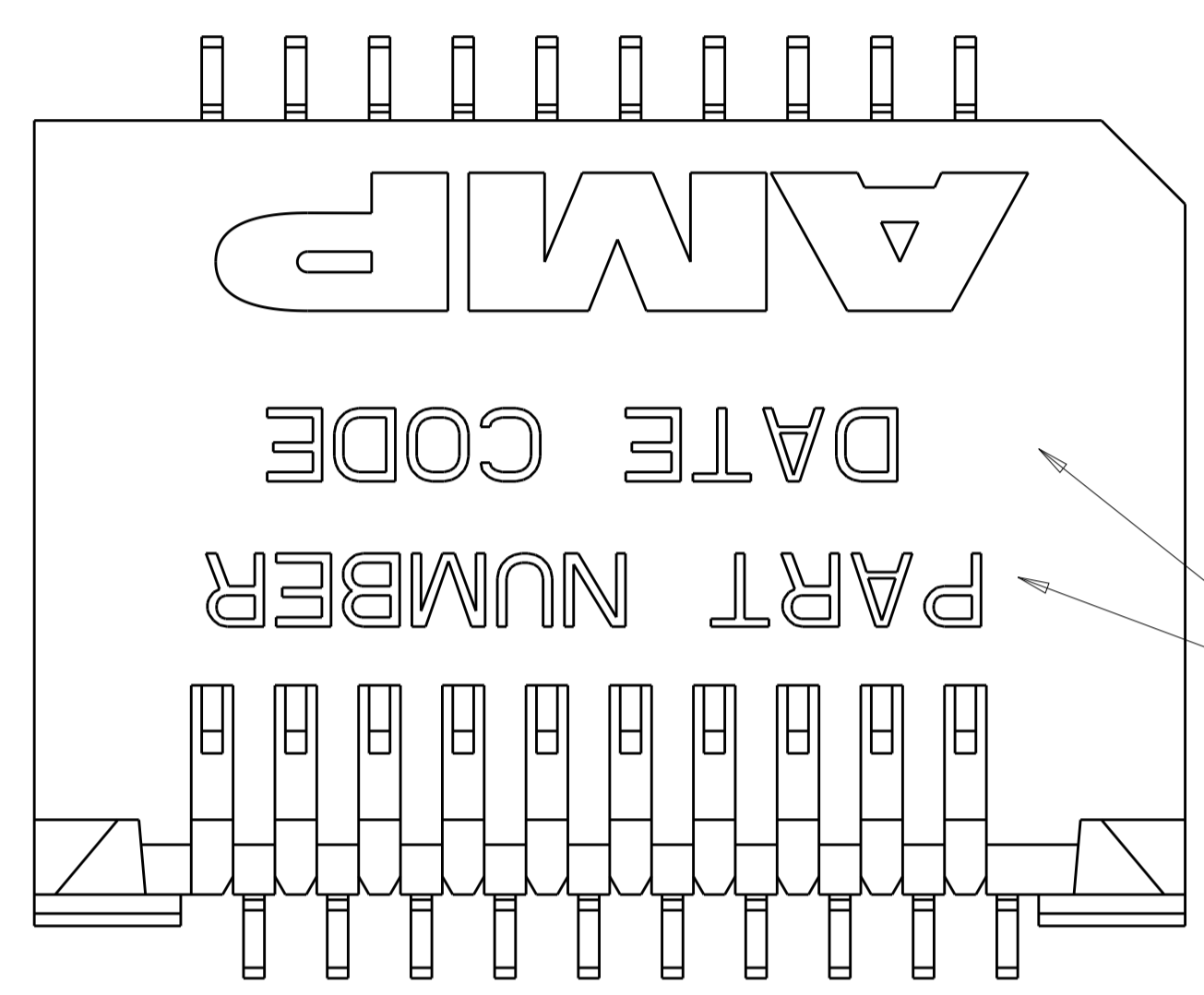
THIS DRAWING IS A CONTROLLED DOCUMENT.	DWN	DATE	NAME
	B. MCMASTER	14FEB06	PT CONNECTOR ASSEMBLY, 20 POS, RIGHT ANGLE, 0.8mm PITCH, SFP+
	S. SHUEY	14FEB06	
	S. SHUEY	14FEB06	

SIZE	CAGE CODE	DRAWING NO	RESTRICTED TO
A	100779	C=1888247	

CUSTOMER DRAWING SCALE 12:1 SHEET 1 OF 4 REV N

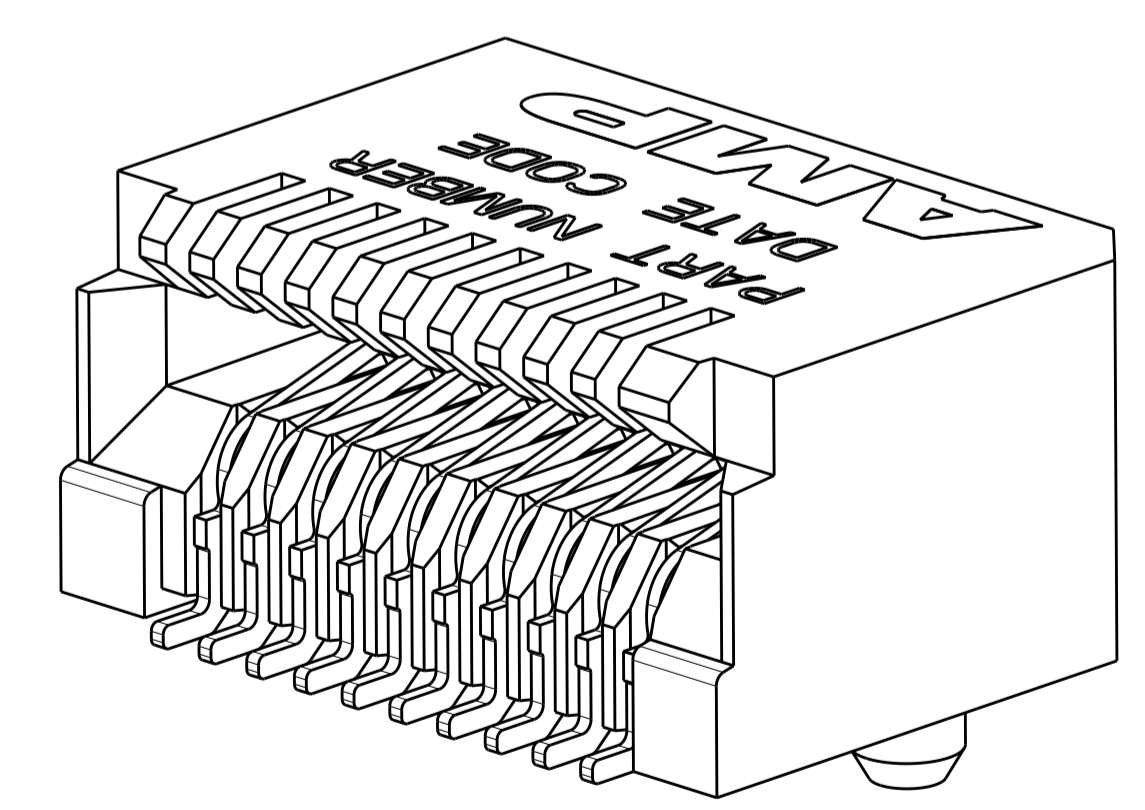
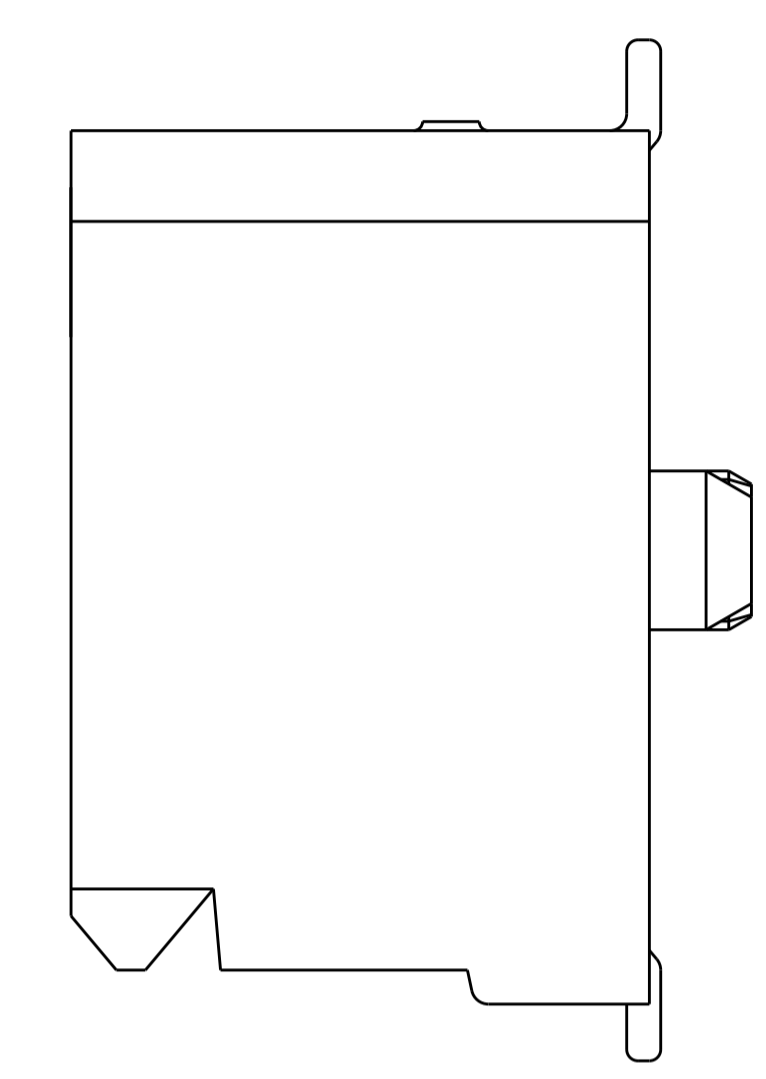
LOC		DIST		REVISIONS			
ES	00	P	LTN	DESCRIPTION	DATE	DMN	APVD
		-		SEE SHEET 1			

1888247-6 AS SHOWN
 PRINT PART NUMBER AND DATE CODE ON TOP
 ALL OTHERS SAME AS 1888247-2



PART NUMBER AND DATE CODE
 APPROXIMATE LOCATION

SCALE 15:1

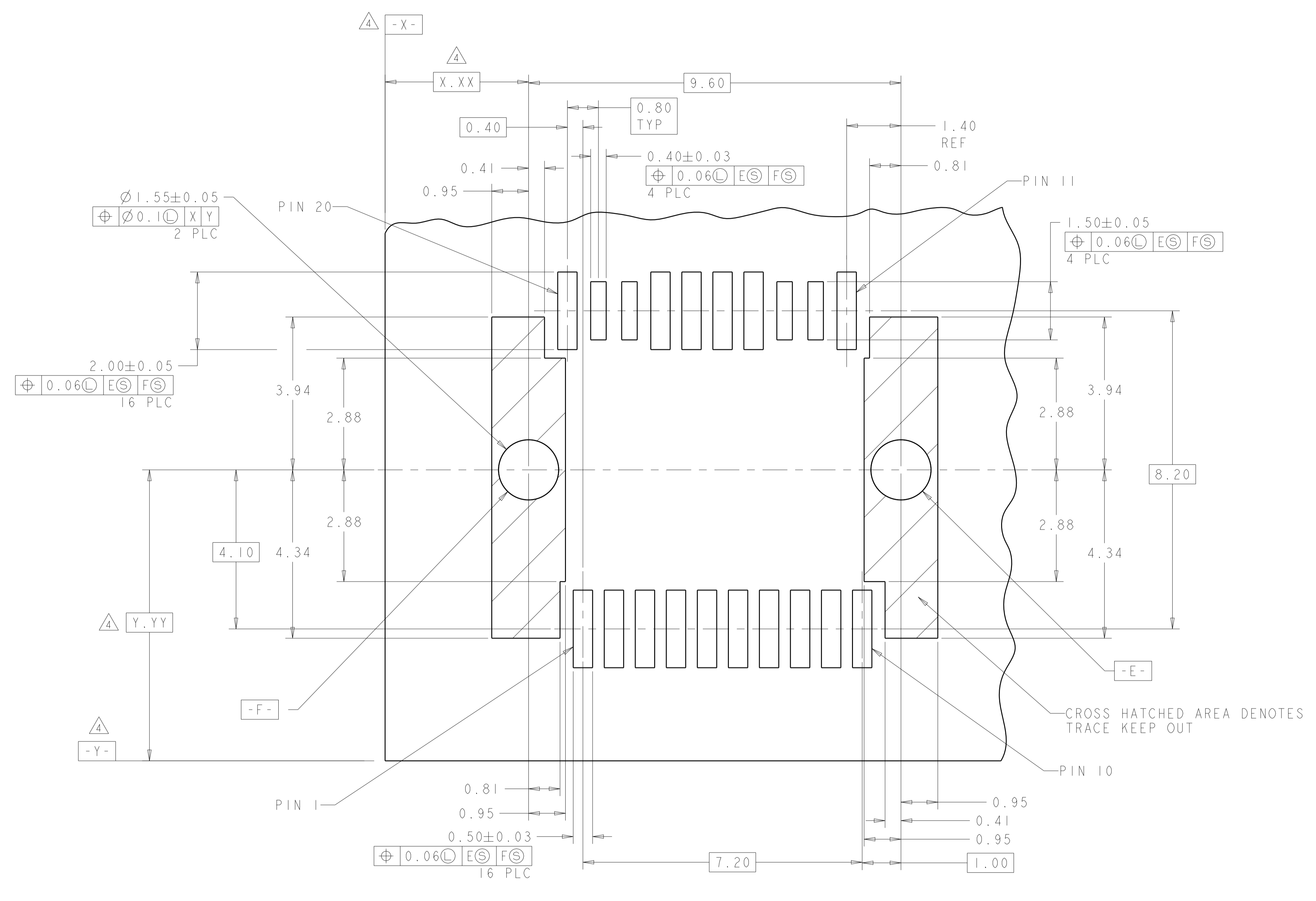


1888247-6 AS SHOWN

YES	YES	△	1888247-6
PART NUMBER	DATE CODE	FINISH	PART NUMBER

THIS DRAWING IS A CONTROLLED DOCUMENT.		DMN B. MCMASTER 14FEB06	TE Connectivity	
DIMENSIONS: mm		CHK S. SHUEY 14FEB06	STE PT CONNECTOR ASSEMBLY, 20 POS, RIGHT ANGLE, 0.8mm PITCH, SFP+	
TOLERANCES UNLESS OTHERWISE SPECIFIED:		APVD S. SHUEY 14FEB06		
0 PLC ±		PRODUCT SPEC 108-1949		
1 PLC ±0.10		APPLICATION SPEC 114-13017		
2 PLC ±		SIZE CAGE CODE DRAWING NO	RESTRICTED TO	
3 PLC ±		WEIGHT	A100779C=1888247	
4 PLC ±		CUSTOMER DRAWING	SCALE 12:1 SHEET 2 OF 4 REV N	
ANGLES ±				
FINISH				

LOC		DIST		REVISIONS			
ES	00	P	LTH	DESCRIPTION	DATE	DWN	APVD
-	-	-	-	SEE SHEET 1	-	-	-



OPTIONAL LAYOUT FOR IMPROVED SIGNAL INTEGRITY, MOUNTING SIDE
 SCALE 16:1

THIS DRAWING IS A CONTROLLED DOCUMENT.		DWN B. MCMASTER 14FEB06	TE Connectivity
DIMENSIONS: mm		CHK S. SHUEY 14FEB06	
TOLERANCES UNLESS OTHERWISE SPECIFIED:		APVD S. SHUEY 14FEB06	NAME
0 PLC ±	1 PLC ±0.10	PRODUCT SPEC	PT CONNECTOR ASSEMBLY, 20 POS, RIGHT ANGLE, 0.8mm PITCH, SFP+
2 PLC ±	3 PLC ±	APPLICATION SPEC	
4 PLC ±	ANGLES ±	114-13017	SIZE CAGE CODE DRAWING NO
MATERIAL	FINISH	WEIGHT	RESTRICTED TO
			A100779C=1888247
CUSTOMER DRAWING		SCALE 12:1	SHEET 4 OF 4 REV N

Looking for pricing, stock, or lifecycle information?

Click below to explore more details on WIN SOURCE:

 [View 1888247-2 on WIN SOURCE](#)

 [TE Connectivity](#) Information

Optimize Your Supply Chain with WIN SOURCE Solutions

-  Global Sourcing Solution
-  Obsolete Management
-  Cost Control Management
-  Shortage Management
-  Alternative Solution
-  Excess Inventory Management