

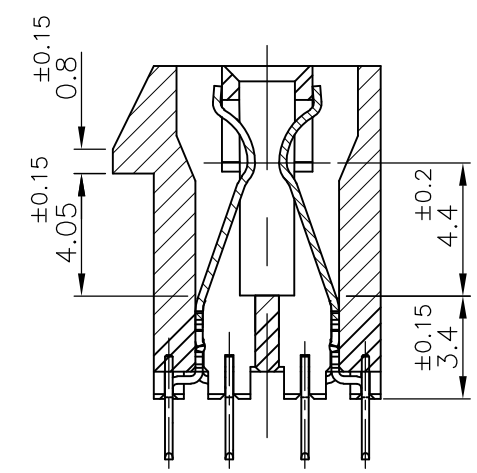
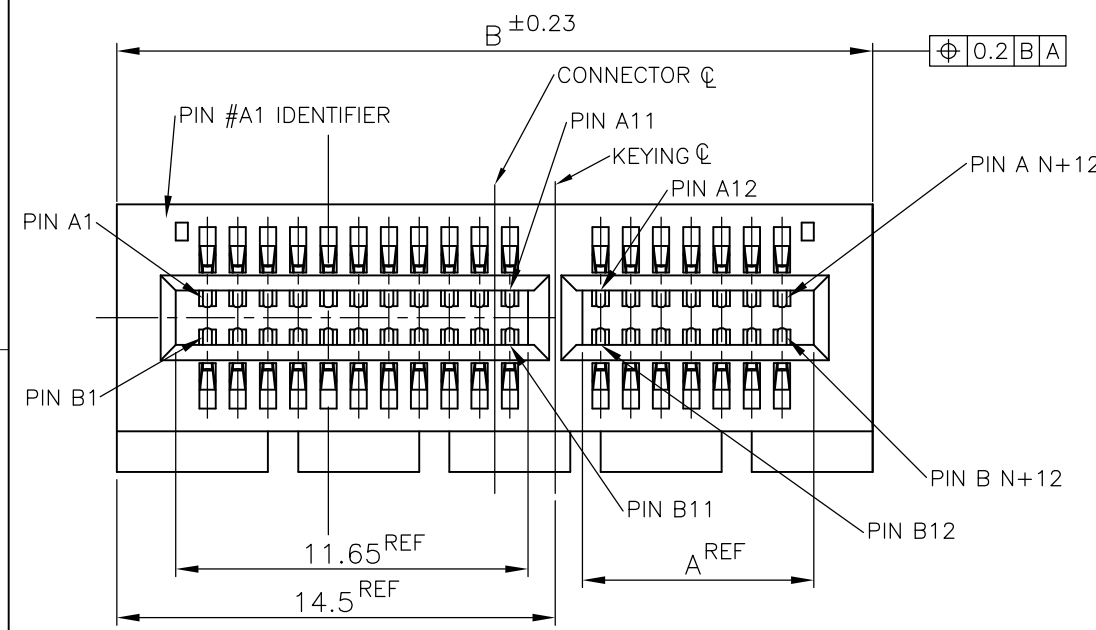


THE DATASHEET OF
1-1871058-3

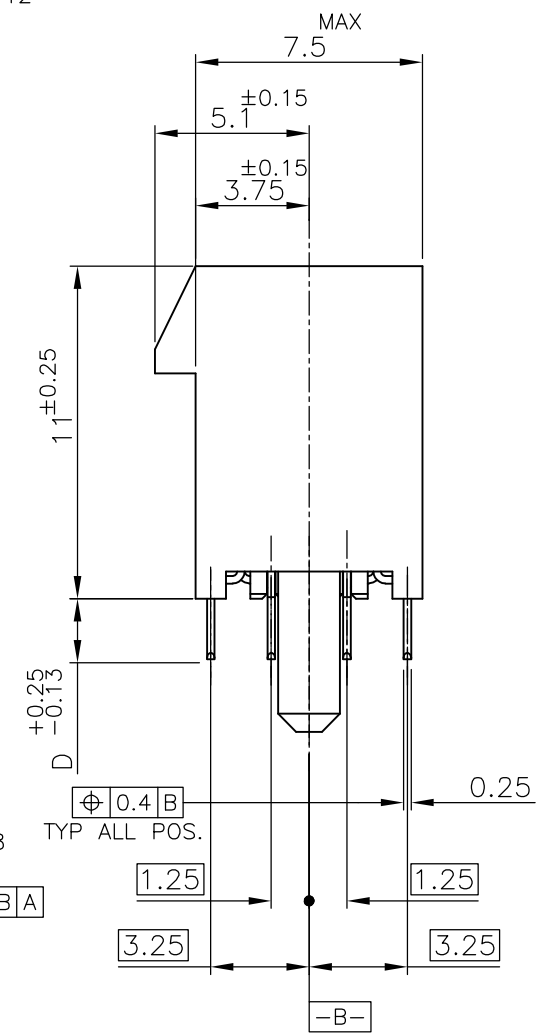
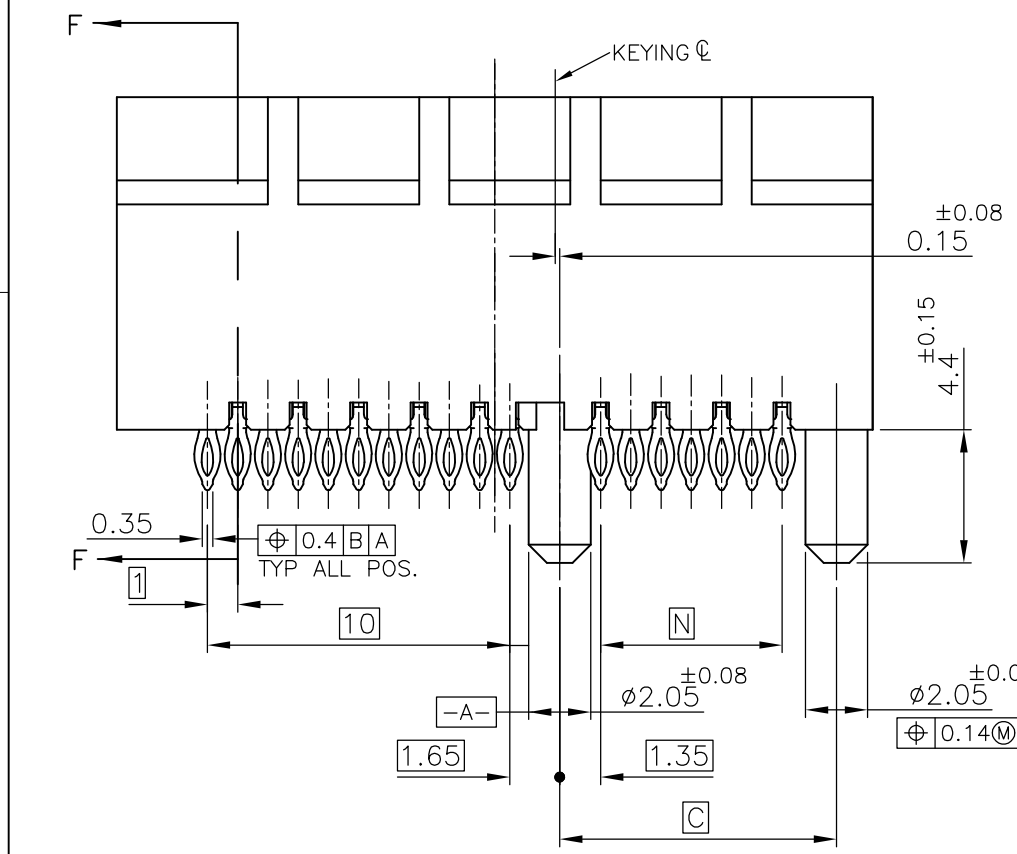


THIS DRAWING IS UNPUBLISHED. RELEASED FOR PUBLICATION JUN ,2005.
 © COPYRIGHT 2005 By -- ALL RIGHTS RESERVED.

LOC	DIST	REVISIONS					
J	/	P	LTR	DESCRIPTION	DATE	DWN	APVD
		H		PER ECR-14-006136	25APR2014	HS	FY

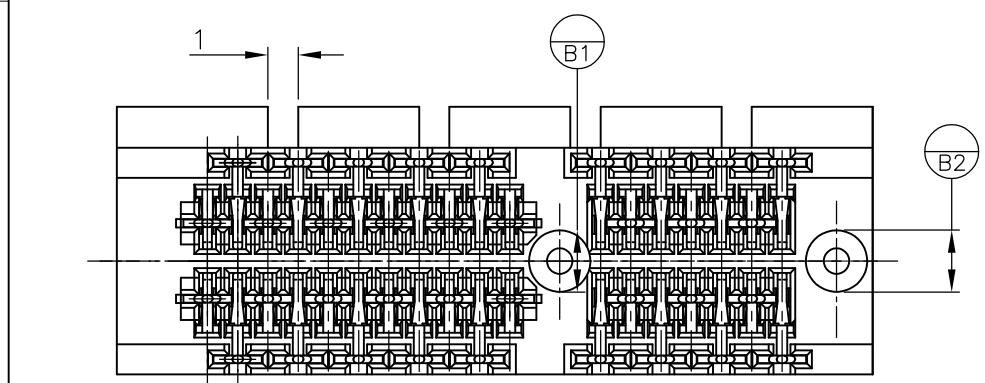


- ① MATERIAL;
HOUSING: HIGH TEMPERATURE THERMO PLASTIC
UL94V-0, COLOR; BLACK
CONTACT: COPPER ALLOY
- ② FINISH;
CONTACT AREA: GOLD PL.0.76μm MIN OVER NICKEL PL.
COMPLIANT PIN ACTION AREA: 0.5μm MIN MATTE TIN OVER NICKEL PL.
- ③ NOT SPECIFY BY PCI EXPRESS STANDARD
- ⑤ FINISH;
CONTACT AREA: GOLD PL.0.76μm MIN OVER NICKEL PL.
COMPLIANT PIN ACTION AREA: 0.5μm MIN BRIGHT TIN-LEAD OVER NICKEL PL.
- ⑫ FINISH;
CONTACT AREA: GOLD PL.0.38μm MIN OVER NICKEL PL.
COMPLIANT PIN ACTION AREA: 0.5μm MIN MATTE TIN OVER NICKEL PL.



13 CONNECTOR HAS MET THE REQUIREMENTS PER PCI EXPRESS GEN 2 TECHNICAL DOCUMENT.
 14 THE 2.0mm PF VERSIONS ARE GEN2 AND GEN3 COMPLIANT.

⑫	PRODUCING	37	2.0	40.15	56	38.65	98	8	6-	-3		
⑫	PRODUCING	70	↑	73.15	89	71.65	164	16	5-	-4		
OBSOLETE	↑	PRODUCING	70		73.15	89	71.65	164	16	3-	-4	
OBSOLETE	⑤	PRODUCING	37		40.15	56	38.65	98	8	3-	-3	
③	↑	PRODUCING	128		131.15	147	129.65	280	1-	-5		
		PRODUCING	70		73.15	89	71.65	164	16	1-	-4	
		PRODUCING	37	3.25	40.15	56	38.65	98	8	1-1871058	-3	
		PRODUCING	20	↑	23.15	39	21.65	64	4	1-	↑	-2
		PRODUCING	6	3.25	9.15	25	7.65	36	1	1-	-1	
		PRELIMINARY	76	↑	79.15	95	77.65	176	16		-7	
③	↑	PRODUCING	128		131.15	147	129.65	280			-5	
		PRODUCING	70		73.15	89	71.65	164	16		-4	
		PRODUCING	37	2.0	40.15	56	38.65	98	8	1871058-3		
		PRODUCING	20	↑	23.15	39	21.65	64	4		↑	-2
②	PRELIMINARY	6	2.0	9.15	25	7.65	36	1		1871058-1		
FINISH	TOOLING STATUS	N	D	C	B	A	POS.	PORT		P/N		



THIS DRAWING IS A CONTROLLED DOCUMENT.

DWN T.KATANO 02DEC05
 CHK R.MURAYAMA 02DEC05
 APVD K.KODAIRA 02DEC05

NAME 名称: PCI EXPRESS CARD EDGE CONN. WITH COMPLIANT PIN V-TYPE

PRODUCT SPEC 製品規格: 108-78340

APPLICATION SPEC 取付適用規格

WEIGHT

SIZE A3 CAGE CODE 00779 DRAWING NO 番号 C-1871058 RESTRICTED TO

MATERIAL 材料: SEE NOTE 2

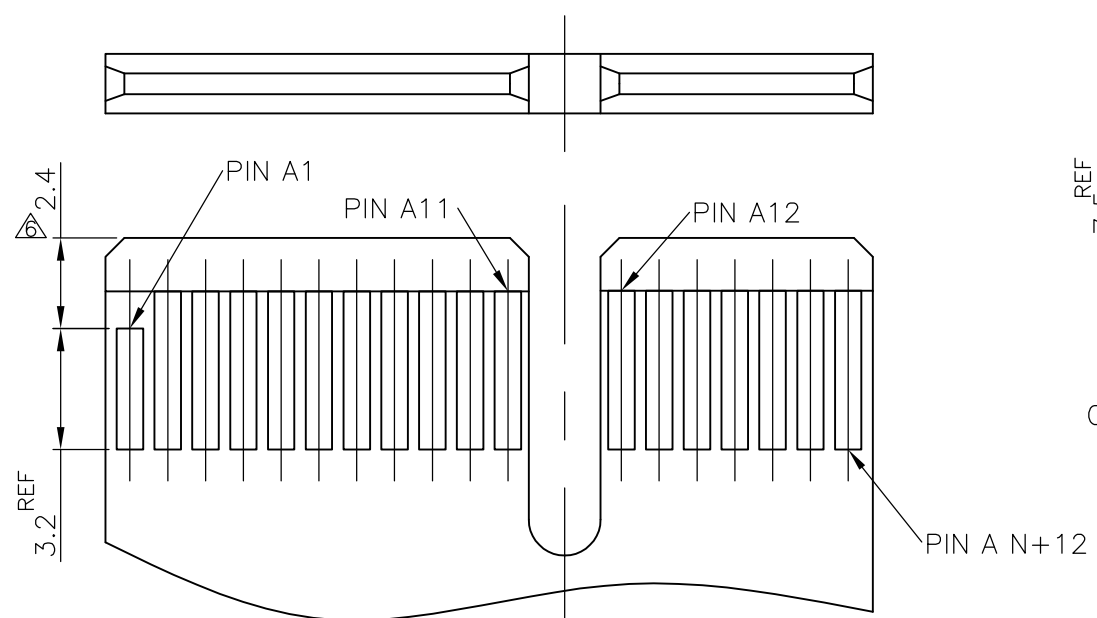
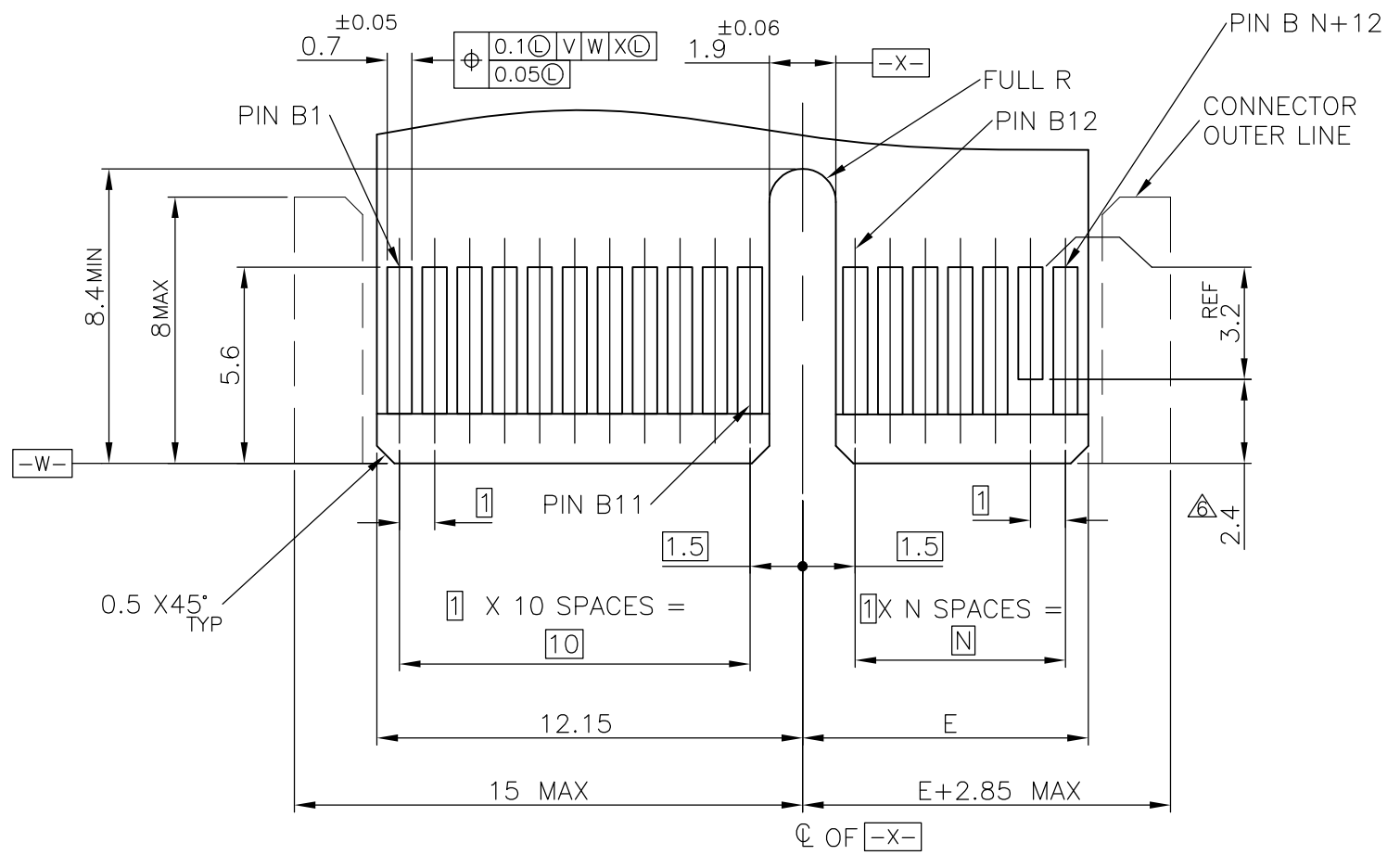
FINISH 仕上: SEE NOTE 2

SCALE 尺度: 4:1 SHEET 1 OF 2 REV H

CUSTOMER DRAWING

THIS DRAWING IS UNPUBLISHED. RELEASED FOR PUBLICATION JUN , 2005.
 © COPYRIGHT 2005 By - ALL RIGHTS RESERVED.

LOC	DIST	REVISIONS			DATE	DWN	APVD
J	/	P	LTR	DESCRIPTION			
		-		SEE SHEET 1	-	-	-



MODULE LAYOUT(MATING PART ONLY)

NOT SPECIFY BY PCI EXPRESS STANDARD

A1,B17,B31,B48,B81,B139	130.15	131.15	147	128	280	
A1,B17,B31,B48,B81,B87	78.15	79.15	95	76	176	16
A1,B17,B31,B48,B81	72.15	73.15	89	70	164	16
A1,B17,B31,B48	39.15	40.15	56	37	98	8
A1,B17,B31	22.15	23.15	39	20	64	4
A1,B17	8.15	9.15	25	6	36	1
PRSNT PIN	E	C	B	N	POS.	PORT

THIS DRAWING IS A CONTROLLED DOCUMENT.

DIMENSIONS: 單位: 耗 mm

TOLERANCES UNLESS OTHERWISE SPECIFIED: 一般公差

Ø PLC	±	±0.13
1 PLC	±	±1
2 PLC	±	
3 PLC	±	
4 PLC	±	
ANGLES	±	
FINISH 仕上		

MATERIAL 材料

DWN	
CHK	
APVD	
PRODUCT SPEC 製品規格	
APPLICATION SPEC 取付適用規格	
WEIGHT	
CUSTOMER DRAWING	

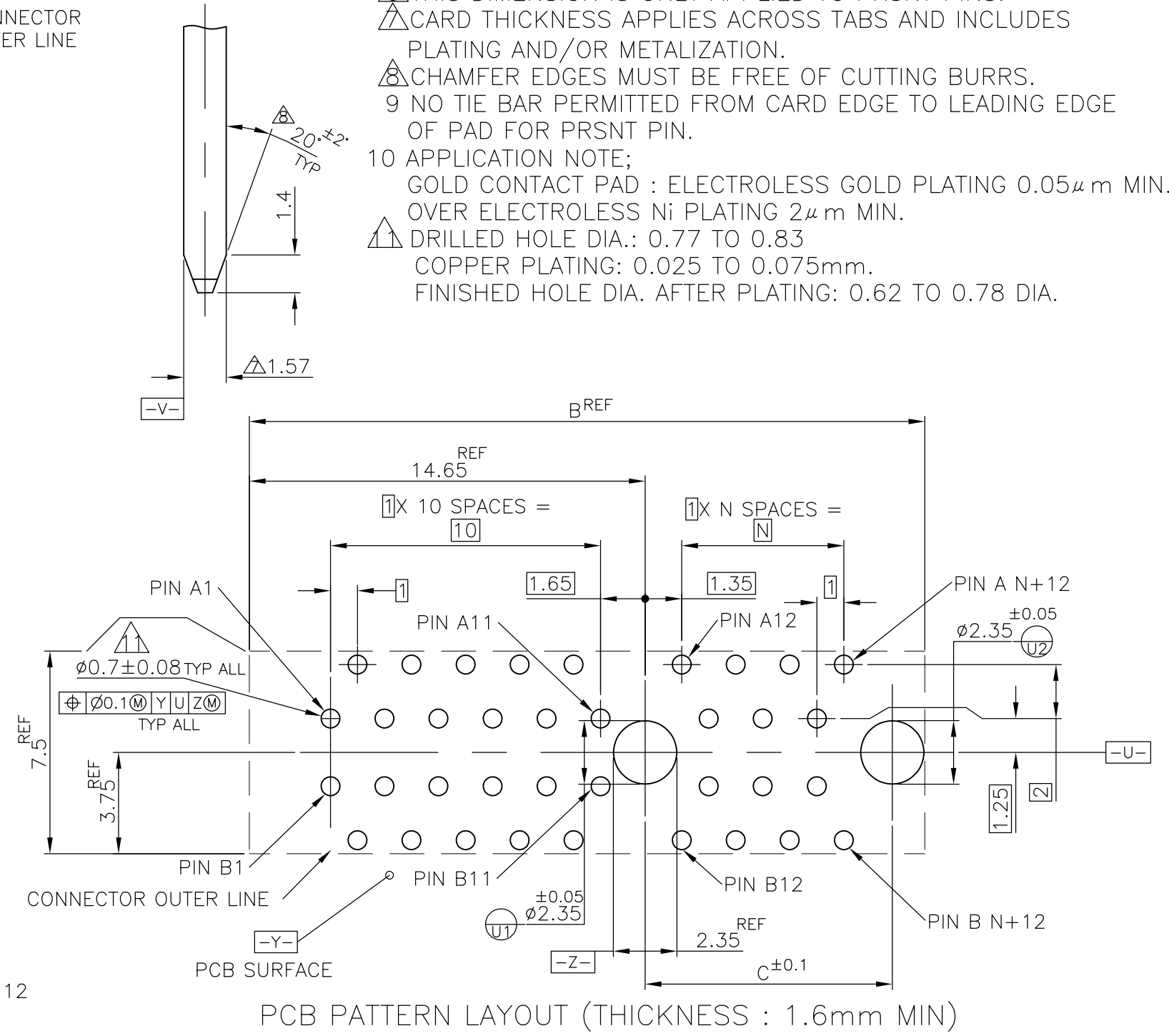
STE TE Connectivity

NAME 名称: PCI EXPRESS CARD EDGE CONN. WITH COMPLIANT PIN V-TYPE

SIZE: A3 CAGE CODE: 00779 DRAWING NO: C-1871058 RESTRICTED TO: -

SCALE 尺度: 8:1 SHEET: 2 OF 2 REV: H

- THIS DIMENSION IS ONLY APPLIED TO PRSNT PINS.
- CARD THICKNESS APPLIES ACROSS TABS AND INCLUDES PLATING AND/OR METALIZATION.
- CHAMFER EDGES MUST BE FREE OF CUTTING BURRS.
- NO TIE BAR PERMITTED FROM CARD EDGE TO LEADING EDGE OF PAD FOR PRSNT PIN.
- APPLICATION NOTE; GOLD CONTACT PAD : ELECTROLESS GOLD PLATING 0.05µm MIN. OVER ELECTROLESS Ni PLATING 2µm MIN.
- DRILLED HOLE DIA.: 0.77 TO 0.83 COPPER PLATING: 0.025 TO 0.075mm. FINISHED HOLE DIA. AFTER PLATING: 0.62 TO 0.78 DIA.



Looking for pricing, stock, or lifecycle information?

Click below to explore more details on WIN SOURCE:

 [View 1-1871058-3 on WIN SOURCE](#)

 [TE Connectivity](#) Information

Optimize Your Supply Chain with WIN SOURCE Solutions

-  Global Sourcing Solution
-  Obsolete Management
-  Cost Control Management
-  Shortage Management
-  Alternative Solution
-  Excess Inventory Management