



THE DATASHEET OF
1825014-2



THIS DRAWING IS UNPUBLISHED. RELEASED FOR PUBLICATION
 © COPYRIGHT BY TYCO ELECTRONICS CORPORATION. ALL RIGHTS RESERVED.

LOC		DIST		REVISIONS			
AD	00	P	LTR	DESCRIPTION	DATE	DWN	APVD
		A		REVISED PER ECO-08-031577	18DEC08	HMR	MS

SPECIFICATIONS:
 BREAK BEFORE MAKE
 2XSPDT

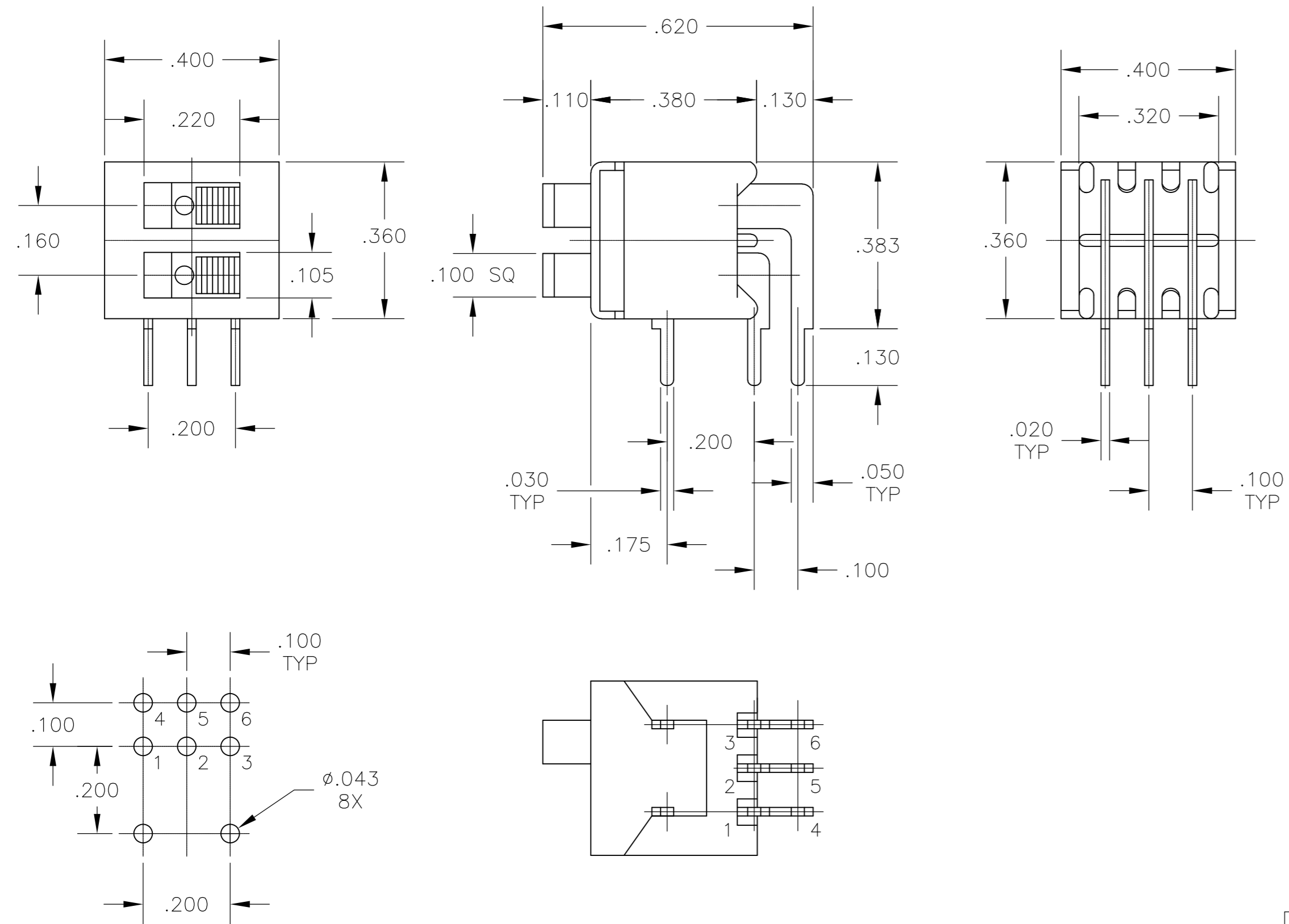
MATERIALS:
 CASE- LCP UL94V-0, BLACK
 ACTUATOR- POLYESTER UL94V-0, BLACK
 FRAME- STEEL, TIN PLATE
 MOVING CONTACT- COPPER ALLOY, GOLD OVER NICKEL PLATE
 FIXED CONTACT- COPPER ALLOY, GOLD OVER NICKEL PLATE
 TERMINAL- COPPER ALLOY, TIN OVER NICKEL PLATE

ELECTRICAL:
 CONTACT RATING- .4VA MAX @ 20V DC OR PEAK AC
 INITIAL CONTACT RESISTANCE- 20 MILLIOHMS MAX
 INSULATION RESISTANCE- 1,000 MEGOHMS MIN @ 500V DC
 DIELECTRIC STRENGTH- 1,000 VOLTS RMS @ SEA LEVEL
 LIFE- 60,000-80,000 CYCLES


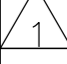
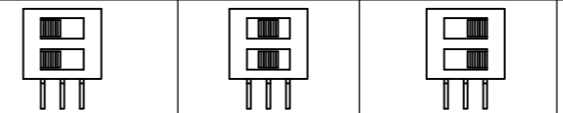
MECHANICAL:
 TRAVEL- .120
 ACTUATION FORCE- 150-600 GRAMS

ENVIRONMENTAL:
 OPERATING TEMPERATURE- -20°C TO +80°C.
 STORAGE TEMPERATURE- -20°C TO +80°C.
 SOLDER HEAT RESISTANCE- PER EIA-364-56A, PROCEDURE 3, COND B
 SOLDERABILITY- PER EIA-364-52, CLASS 2, CATEGORY 1

 PRELIMINARY PART NUMBER.



RECOMMENDED HOLE LAYOUT
 TOLERANCES $\pm .002$ UNLESS OTHERWISE NOTED

1,2-4,5	NONE	2,3-5,6	SPDT	2	FLUSH	TSD21DDG1RAE04	 1825014-5
1,2-4,5	NONE	2,3-5,6	SPDT	2	EXTENDED	TSD21DDGRAE04	 1825014-4
1,2-4,5	NONE	2,3-5,6	SPDT	2	FLUSH	TSD21DDG1RA04	1825014-3
1,2-4,5	OFF	2,3-5,6	SPDT	3	EXTENDED	TSD21EEGRA04	1825014-2
1,2-4,5	NONE	2,3-5,6	SPDT	2	EXTENDED	TSD21DDGRA04	1825014-1
			TYPE	POSN	ACTUATOR	ALCO P/N	TE P/N

THIS DRAWING IS A CONTROLLED DOCUMENT.		DWN	23JUN05	Tyco Electronics Corporation Harrisburg, Pa 17105-3608			
DIMENSIONS: INCHES		CHK	B.S.VISWESWARA	NAME			
TOLERANCES UNLESS OTHERWISE SPECIFIED:		APVD	-	PRODUCT SPEC			
0 PLC \pm -		APVD	-	APPLICATION SPEC			
1 PLC \pm -		WEIGHT	-	SIZE	CAGE CODE	DRAWING NO	RESTRICTED TO
2 PLC \pm -		MATERIAL SEE SPECIFICATION		A2	00779	C=1825014	-
3 PLC \pm .010		FINISH -		SCALE 4:1		SHEET 1 OF 1	REV A
4 PLC \pm -		CUSTOMER DRAWING					
ANGLES \pm -							

1825014

Looking for pricing, stock, or lifecycle information?

Click below to explore more details on WIN SOURCE:

 [View 1825014-2 on WIN SOURCE](#)

 [TE Connectivity](#) Information

Optimize Your Supply Chain with WIN SOURCE Solutions

-  Global Sourcing Solution
-  Obsolete Management
-  Cost Control Management
-  Shortage Management
-  Alternative Solution
-  Excess Inventory Management