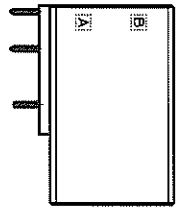
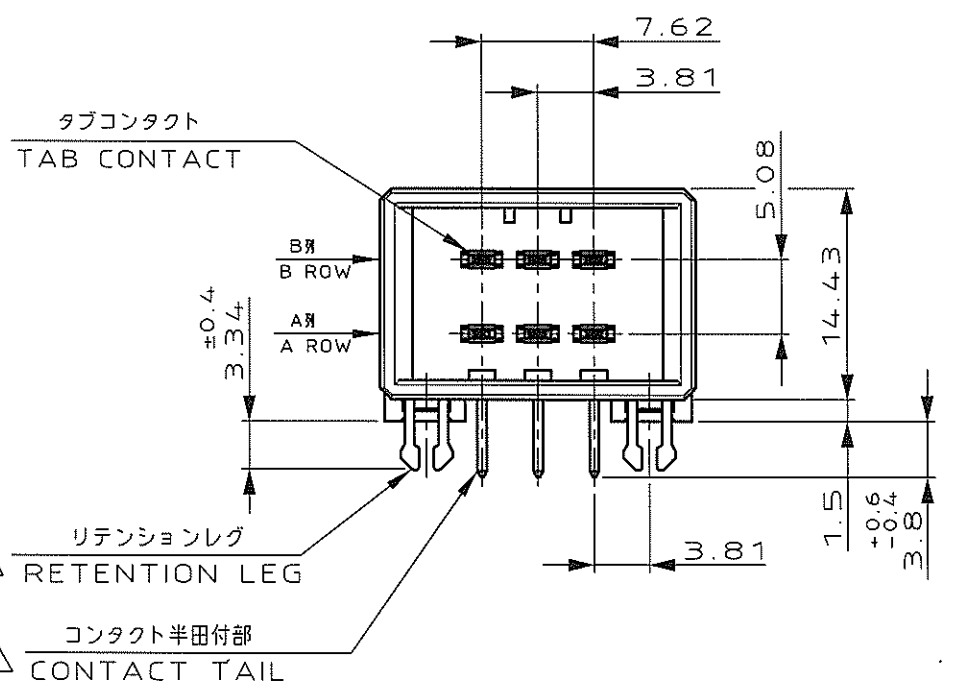
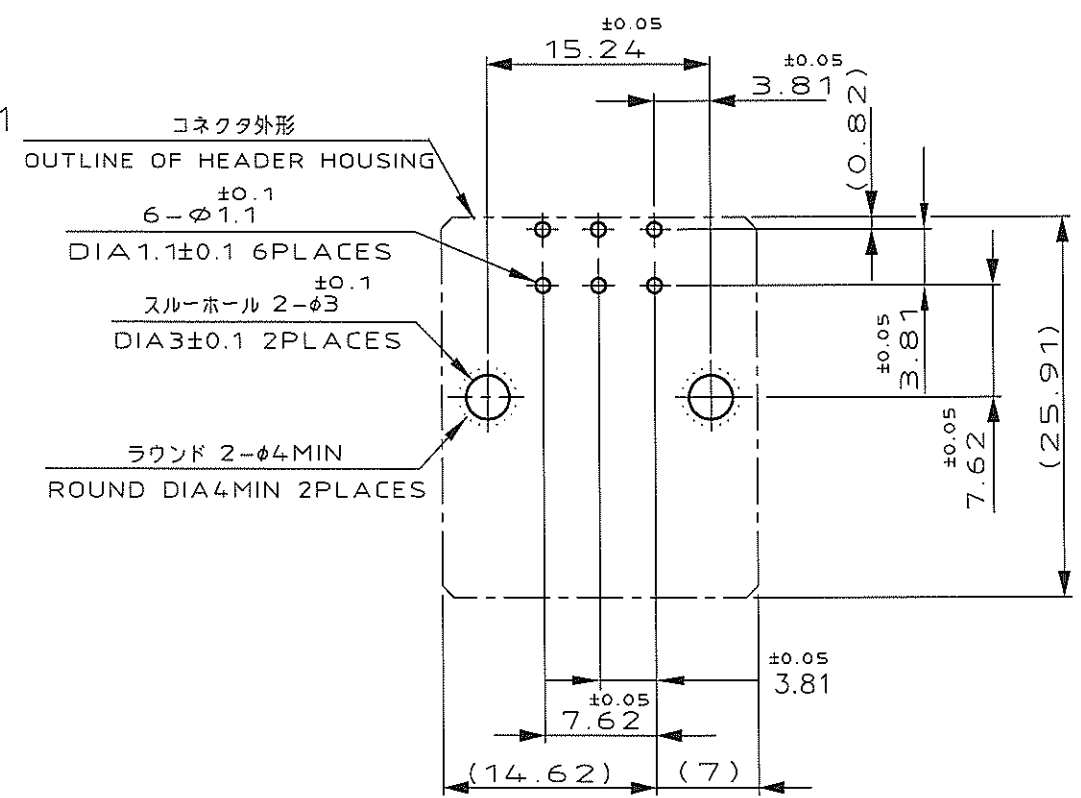
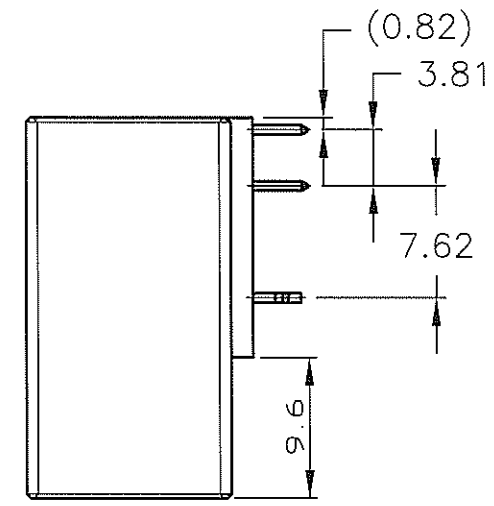
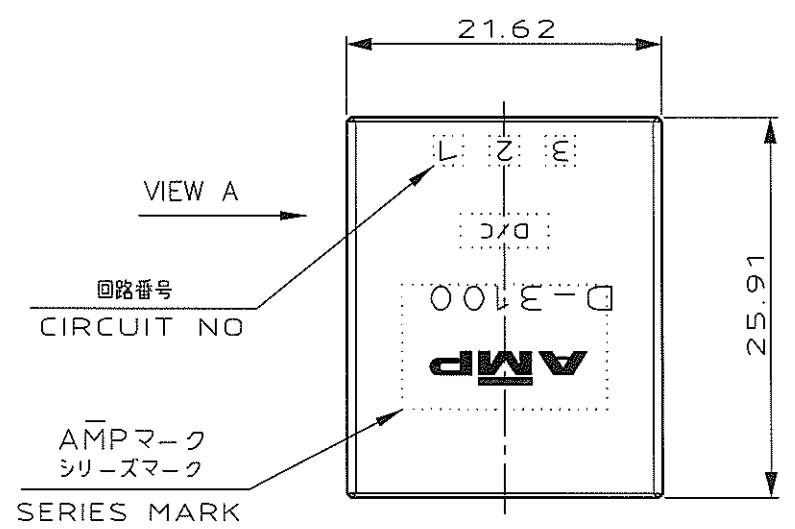


NUMBER 178303
 METRIC
 DIMENSIONS IN MILLIMETERS. DO NOT SCALE PRINT
 PRINT DIST



△6	△4	178303-5
△6	△3	178303-3
△6	△2	178303-2
(FINISH)	製品番号 (PART NO.)	

推奨基板取付け穴寸法
 PC 基板厚: 1.6±0.1
 (非累積公差)
 (コネクタ搭載面)

RECOMEND PC BOARD HOLE PATTERN
 PC BOARD THICKNESS: 1.6±0.1
 (NOT ACCUMULATE TOLERANCE)
 (CONNECTOR MOUNT SIDE)

NOTES

- MATERIAL: HOUSING: GLASS FILED THERMO PLASTIC, POLYESTER
 CONTACT: COPPER ALLOY
 RETENTION LEG: COPPER ALLOY
- △2. FINISH (CONTACT AREA): 0.38μm MIN GOLD PLATING OVER Ni PLATING
- △3. FINISH (CONTACT AREA): 0.76μm MIN GOLD PLATING OVER Ni PLATING
- △4. FINISH (CONTACT AREA): 2.0 μm MIN TIN PLATED OVER NICKEL
- △5. FINISH (RETENTION LEG): TIN-LEAD PLATED (CONTACT TAIL) OVER NICKEL
- △6. FINISH (RETENTION LEG): TIN PLATED (CONTACT TAIL) OVER NICKEL


注記

- 材料: ハウジング: ガラス入り熱可塑性ポリエステル樹脂
 コンタクト: 銅合金
 リテンションレグ: 銅合金
- △2. めっき: コンタクト: 全面Ni下地
 接触部: 0.38μm MIN金めっき
- △3. めっき: コンタクト: 全面Ni下地
 接触部: 0.76μm MIN金めっき
- △4. めっき: コンタクト: 全面Ni下地
 接触部: 2.0 μm MINスズめっき
- △5. めっき: リテンションレグとコンタクト半田付部
 ニッケル下地の上に半田めっき
- △6. めっき: リテンションレグとコンタクト半田付部 : ニッケル下地の上にスズめっき

Copyright © 1991 AMP(Japan) LTD. ALL RIGHTS RESERVED.				Tyco Electronics Tyco Electronics AMP K.K. Kawasaki, Japan							
C1	REVISED	ECR-07-013273	TS	DM	11/01/2007	WIRE RANGE	INSULATION DIA	NAME ダイナミック D3100 水平タイプ 6 極 ヘッダーアセンブリ 6 POS DOUBLE ROW HORIZONTAL HDR ASS'Y FOR DYNAMIC 3100			
C	REVISED	(FJD0-0039-03)	TS	S.M	6/2 '03	mm(AWG -)	mmφ	一般公差 (GENERAL TOLERANCE)			
B	REVISED	(FJD0-0097-03)	TS	S.M	4/15 '03	MATERIAL SEE NOTE 注記参照	FINISH SEE NOTE 注記参照	100% ±0.3	SIZE A3	LOC J	NUMBER C-178303
A	REVISED	(FJ00-2183-95)	KI	SM	3-23 '95	DR. N. Matsubara 14 JUN 91	DE. N. Matsubara 14 JUN 91	100% 300% ±0.4	SCALE 2-1	REV. C1	SHEET 1 OF 1
O	RELEASED	(J-1184)	NM	S.M	3-4 '92	CHK. N. Matsubara 24/FEB/92	APP. S. MANABE 4/MAR/92	300% 100% ±0.45			
LTR	REVISION RECORD		DR	CHK	DATE			公差 ±3'			

Looking for pricing, stock, or lifecycle information?

Click below to explore more details on WIN SOURCE:

 [View 178303-2 on WIN SOURCE](#)

 [TE Connectivity](#) Information

Optimize Your Supply Chain with WIN SOURCE Solutions

-  Global Sourcing Solution
-  Obsolete Management
-  Cost Control Management
-  Shortage Management
-  Alternative Solution
-  Excess Inventory Management