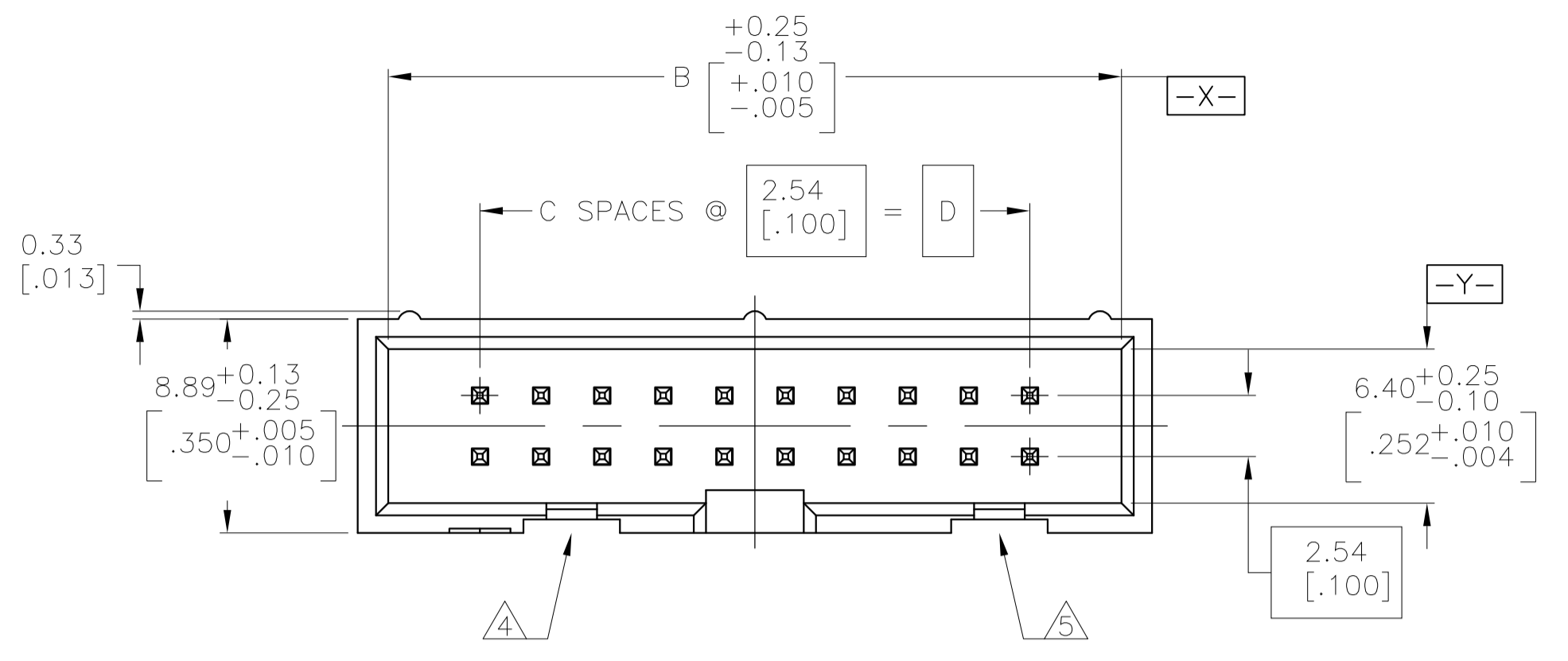


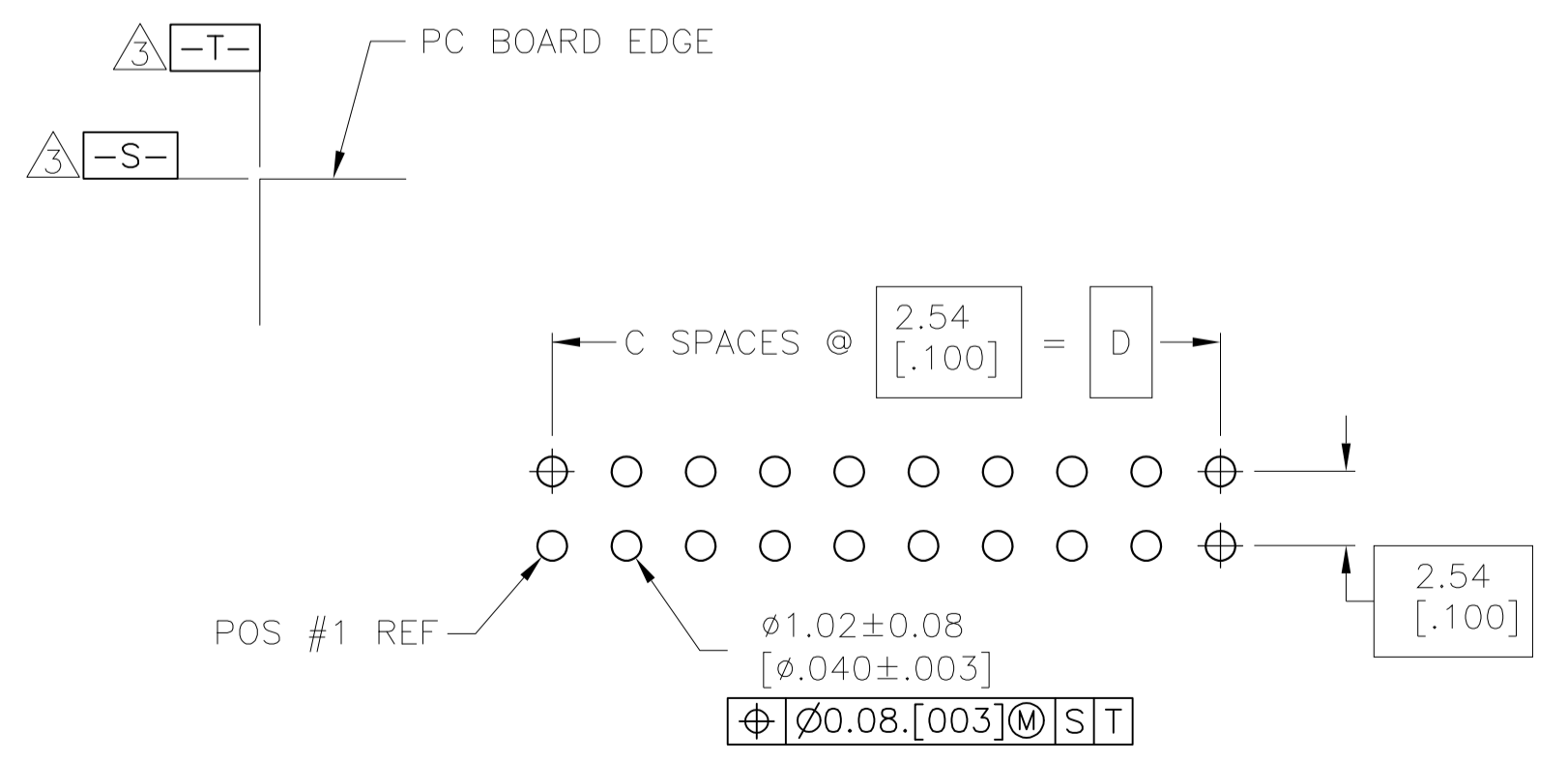
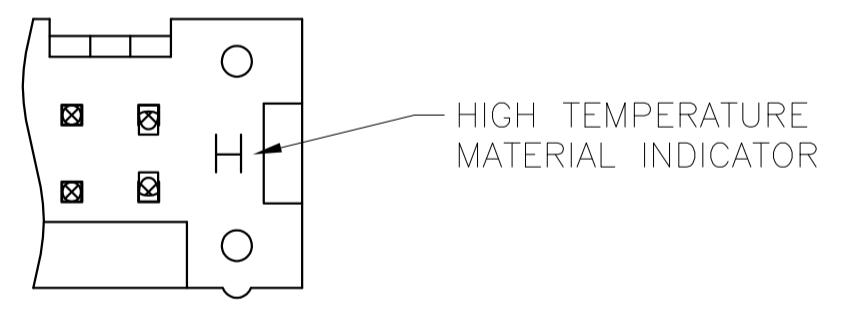
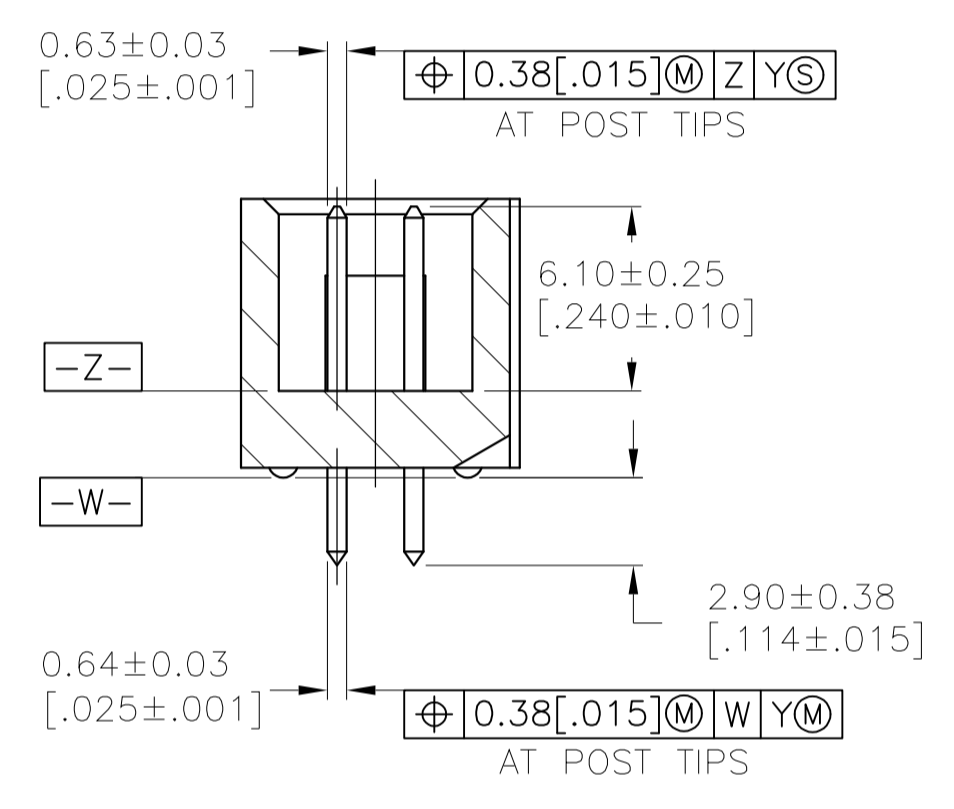
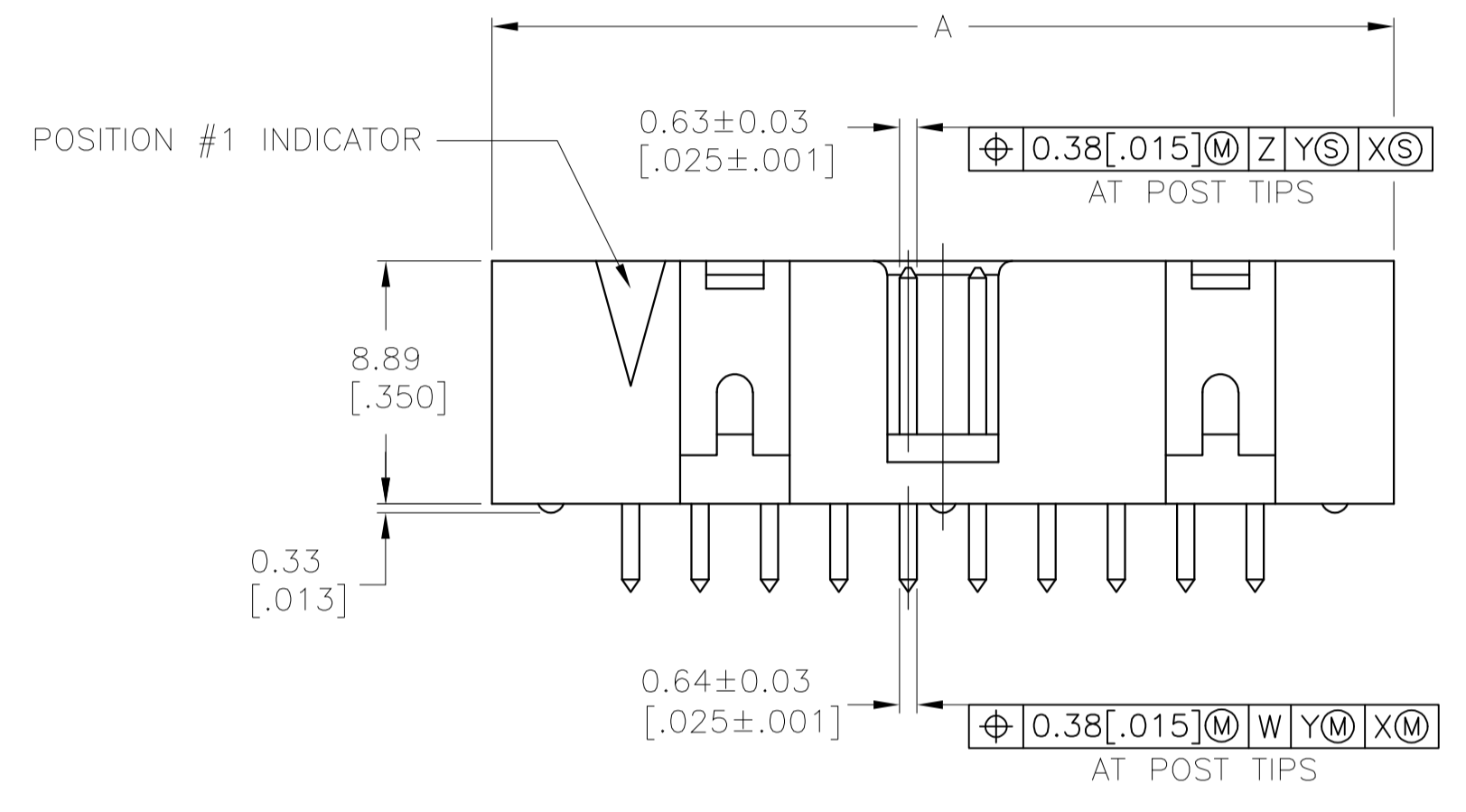


**THE DATASHEET OF**  
**1761681-9**





- △ HOUSING: PCT, UL94V-0, COLOR BLACK.
- △ POSTS: PHOSPHOR BRONZE.
- △ POSTS: 0.00038[.000015] MIN GOLD ON MATING AREA, 0.00254[.000100] MIN TIN ON SOLDER END, ALL OVER 0.00127[.000050] MIN NICKEL ON ENTIRE POST.
- △ DATUMS S & T TO BE ESTABLISHED BY CUSTOMER.
- △ NO KEYING SLOT ON THIS END FOR 6, 8, 10 & 14 POSITION ASSEMBLIES.
- △ NO KEYING SLOT ON THIS END FOR 6, 8 & 10 POSITION ASSEMBLIES.



RECOMMENDED PC BOARD LAYOUT (VIEWED FROM CONNECTOR SIDE)

		78.74 [3.100]	31	86.36 [3.400]	88.90 [3.500]	64	1-1761681-7
OBSOLETE		73.66 [2.900]	29	81.28 [3.200]	83.82 [3.300]	60	1-1761681-6
		60.96 [2.400]	24	68.58 [2.700]	71.12 [2.800]	50	1-1761681-5
		48.26 [1.900]	19	55.88 [2.200]	58.42 [2.300]	40	1-1761681-3
		40.64 [1.600]	16	48.26 [1.900]	50.80 [2.000]	34	1-1761681-1
		30.48 [1.200]	12	38.10 [1.500]	40.64 [1.600]	26	1761681-9
OBSOLETE		27.94 [1.100]	11	35.56 [1.400]	38.10 [1.500]	24	1761681-8
		22.86 [0.900]	9	30.48 [1.200]	33.02 [1.300]	20	1761681-7
		17.78 [0.700]	7	25.40 [1.000]	27.94 [1.100]	16	1761681-6
		15.24 [0.600]	6	22.86 [0.900]	25.40 [1.000]	14	1761681-5
		10.16 [0.400]	4	17.78 [0.700]	20.32 [0.800]	10	1761681-3
OBSOLETE		7.62 [0.300]	3	15.24 [0.600]	17.78 [0.700]	8	1761681-2
		5.08 [0.200]	2	12.70 [0.500]	15.24 [0.600]	6	1761681-1
		D	C	B	A	NO OF POS	PART NUMBER

THIS DRAWING IS A CONTROLLED DOCUMENT.

DIMENSIONS:	TOLERANCES UNLESS OTHERWISE SPECIFIED:	DESIGNER	DATE
mm [INCHES]	0 PLC ± -	J. GERACE	09MAR05
	1 PLC ± -	S. BOLASH	09MAR05
	2 PLC ± -	M. WALMSLEY	09MAR05
	3 PLC ± 0.13 [0.005]		
	4 PLC ± -		
	ANGLES ± -		

MATERIAL: △ FINISH: △

APPROVED: M. WALMSLEY

NAME: HEADER ASSEMBLY, VERTICAL, LOW PROFILE, IDC

SIZE: A1 CAGE CODE: 00779 DRAWING NO: 1761681

WEIGHT: RESTRICTED TO: CUSTOMER DRAWING SCALE: 4:1 SHEET: 1 OF 1 REV: A1

## Looking for pricing, stock, or lifecycle information?

Click below to explore more details on WIN SOURCE:

 [View 1761681-9 on WIN SOURCE](#)

 [TE Connectivity](#) Information

## Optimize Your Supply Chain with WIN SOURCE Solutions

-  Global Sourcing Solution
-  Obsolete Management
-  Cost Control Management
-  Shortage Management
-  Alternative Solution
-  Excess Inventory Management