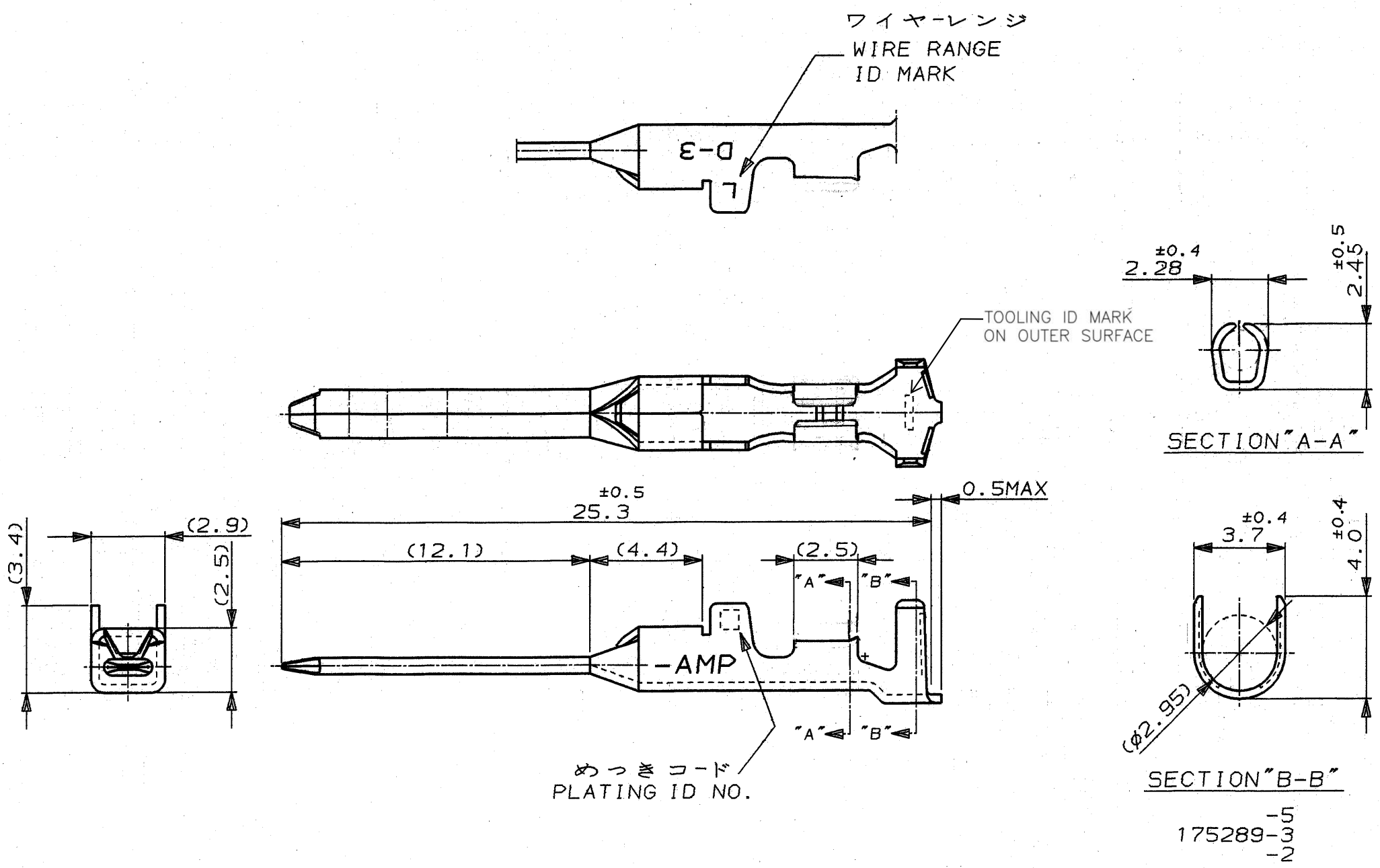




THE DATASHEET OF
175289-2



NUMBER C-175289
 METRIC
 U.855-111>U.DWG>S.C89-25173 WAS 91-25168-12,14,15
 単位: 概 DIMENSIONS IN MM. DO NOT SCALE PRINT PROJ NO 391-604.
 PRINT DIST



注記
 ⚠ 金めっきは接触部のみとする
 NOTE
 ⚠ GOLD-PL. CONTACT AREA ONLY

5	光沢錫めっき (BRIGHT TIN-PL.)	-5
3	⚠ 0.76μm 最小金めっき (0.76μm MIN. Au-PL.)	-3
2	⚠ 0.38μm 最小金めっき (0.38μm MIN. Au-PL.)	175289-2
めっきコード (PL. ID NO.)	仕上 (FINISH)	型番 (P/N)




包合電線断面積 (WIRE RANGE) AWG 20-16	被覆外径 (INSULATION DIA.) 1.8-2.8 mmφ	名称 (NAME) DYNAMIC D-3 SERIES TAB CONTACT "L" SIZE LOOSE PIECE ダイナミック D-3 シリ - ズタブコンタクト
材料 (MATERIAL) (COPPER ALLOY) 銅合金	仕上 (FINISH) (SEE TABLE) 表参照	一般公差 (GENERAL TOLERANCE) 10以下: ±0.2 10を超え 30以下: ±0.25 30を超え 100以下: ±0.3 角度: ±3°
DR. 2 MAR 92 N. Matsubara	DE. 2 MAR 92 N. Matsubara	SIZE LOC 番号 (No.) B J C-175289
LTR 変更 (REVISION RECORD) DR CHK DATE	CHK. 4 MAR 92 H. Obata	APP. 5-MAR-92 S. MANABE
尺度 (SCALE) 5-1		REV. R SHEET 1 OF 1

R	REVISED PER ECR-15-011723	Y.O	E.T	10AUG 2015
P	REVISED PER ECO-11-005140	RK	HMR	05APR11
LTR	変更 (REVISION RECORD)	DR	CHK	DATE

(CUSTOMER DRAWING) 参考 面

Looking for pricing, stock, or lifecycle information?

Click below to explore more details on WIN SOURCE:

 [View 175289-2 on WIN SOURCE](#)

 [TE Connectivity](#) Information

Optimize Your Supply Chain with WIN SOURCE Solutions

-  Global Sourcing Solution
-  Obsolete Management
-  Cost Control Management
-  Shortage Management
-  Alternative Solution
-  Excess Inventory Management