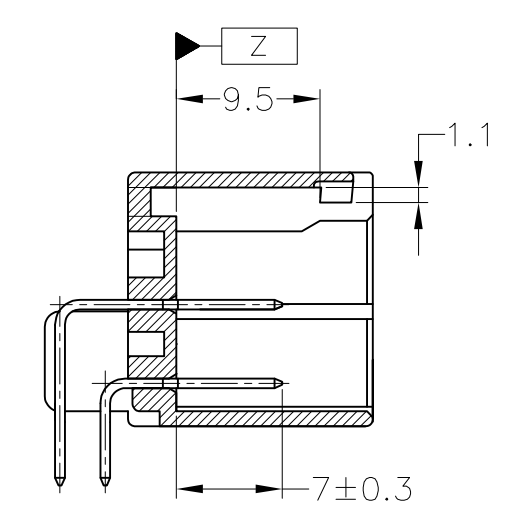
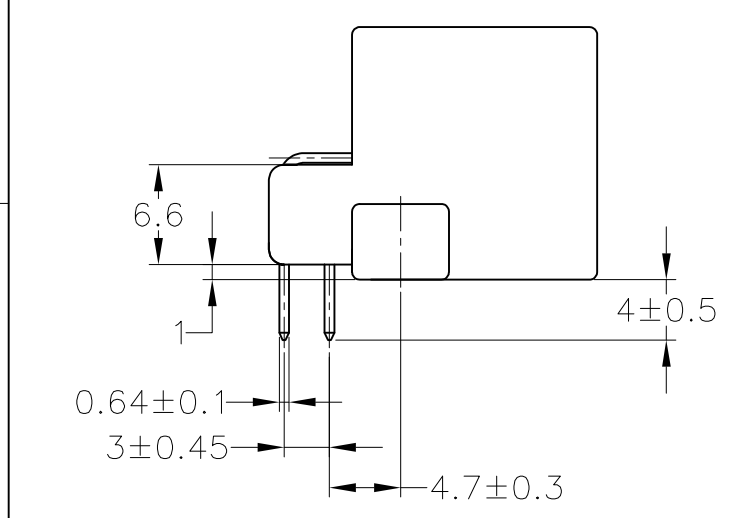
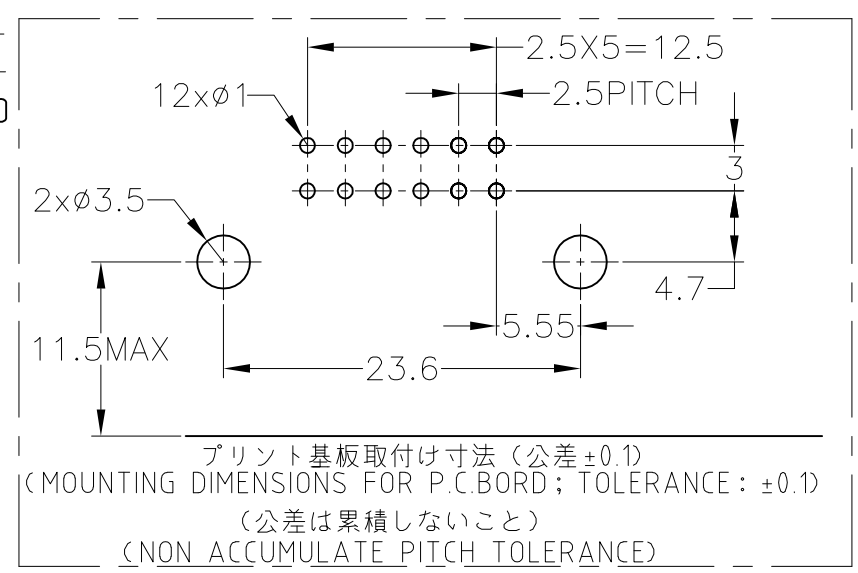
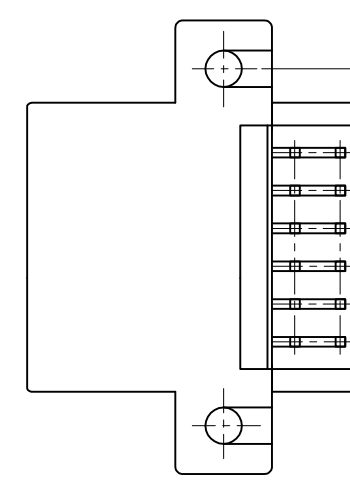
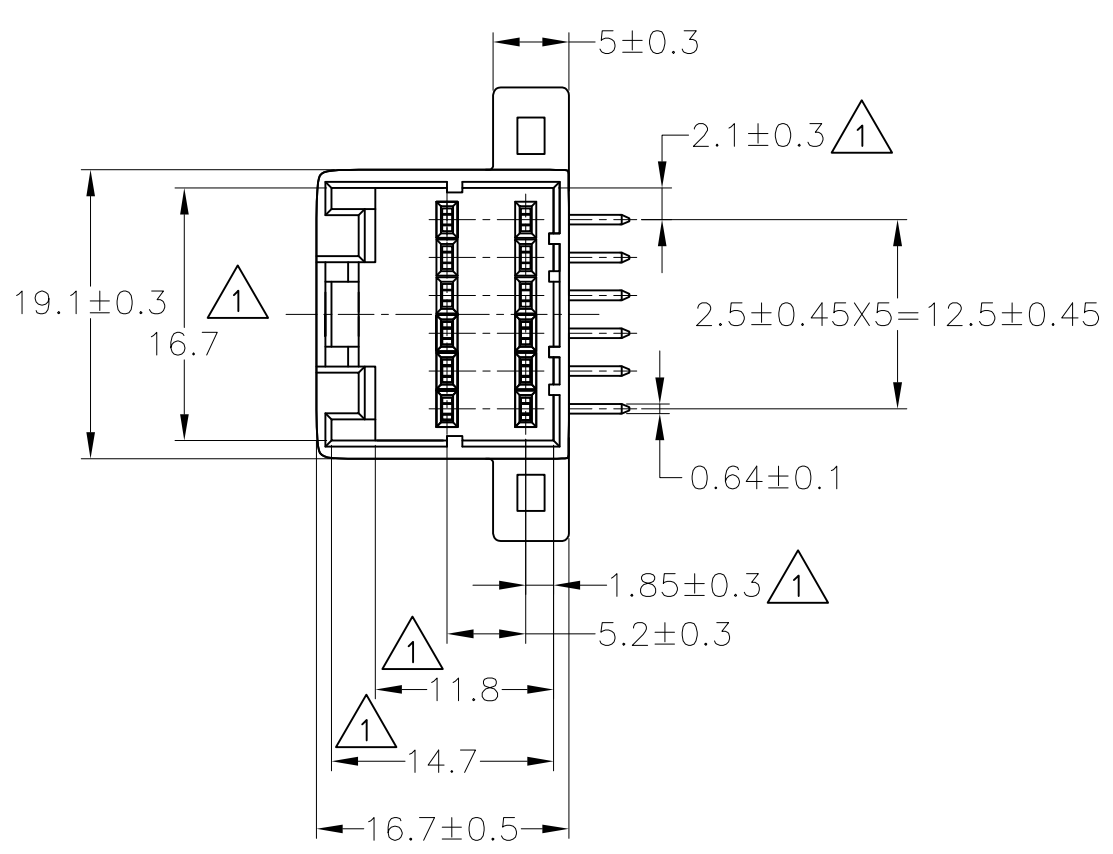
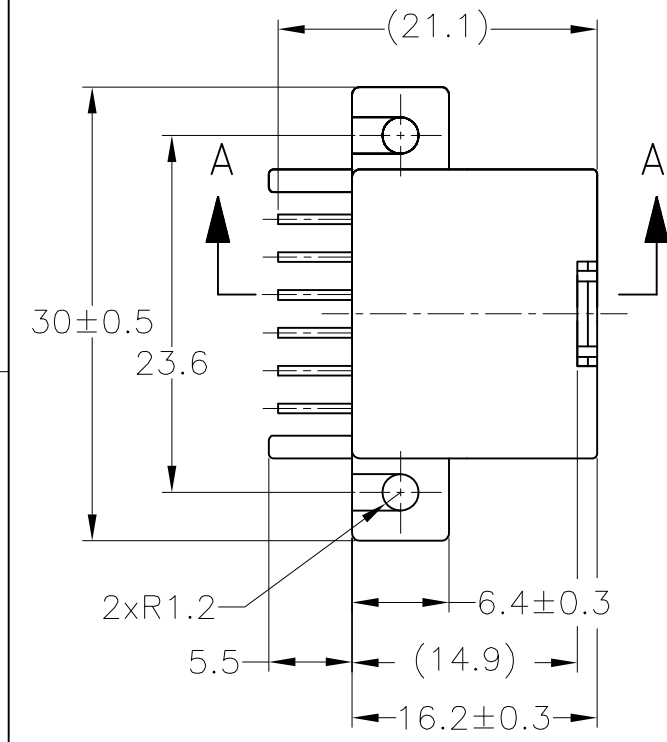


THIS DRAWING IS UNPUBLISHED. RELEASED FOR PUBLICATION
 © COPYRIGHT 2016 By Tyco Electronics Japan G.K. ALL RIGHTS RESERVED.

REVISIONS					
P	LTR	DESCRIPTION	DATE	DWN	APVD
	J9	OBSOLETE 1--2	ECR-16-003093	17AUG16	KF HY



- ① TO BE MEASURED WITHIN 2mm FROM [Z]
- 2. APPLICABLE P.C.BOARD THICKNESS: 1.6mm
- 3. THE MATING PLUG HOUSING PART NUMBER : 174045
- 4. RECOMMENDED MOUNTING SCREW; 3mm DIA, 7mm LENGTH (MIN.) PAN HEAD, CLASS 2 TAPPING SCREW SPRCIFED IN JIS B1115, B1122 (TIGHTENING TORQUE: 0.4N·m MAX.)
- ⑤ CIRCUIT NUMBER.
- ⑥ PRELIMINARY NOT FOR PRODUCTION.



- ① [Z]面より2mmの範囲で測定。
- 2. 適用プリント基板厚: 1.6mm
- 3. 嵌合相手型番 : 174045
- 4. 推奨取付けねじ: JIS B1115, B1122 タッピングねじ、なべ2種 呼び径3、長さ7mm以上 (締付けトルク: 0.4N·m 以下)
- ⑤ 回路番号: 上図参照のこと。
- ⑥ 非量産対象製品。

TOLERANCE UNLESS OTHERWISE SPECIFIED: 一般公差

0 < x ≤ 10	: ±0.2
10 < x ≤ 30	: ±0.25
30 < x ≤ 100	: ±0.3

ANGLE ; 角度 : ±3°

THIS DRAWING IS A CONTROLLED DOCUMENT.

DIMENSIONS: 単位: 耗 mm	TOLERANCES UNLESS OTHERWISE SPECIFIED: 一般公差
MATERIAL 材料	FINISH 仕上
HOUSING: PBT	CONTACT: BRASS

SELECTIVE TIN (MATTE)	SELECTIVE GOLD x 12		BLACK 黒色	1-5174051-2
—//—	—//—	—//—	—//—	4-174051-4
TIN-LEAD	SELECTIVE GOLD x 2	5,6	BLACK 黒色	4-174051-2
	PRE-TIN x 10			
TIN-LEAD	SELECTIVE GOLD x 2	4,10	BLACK 黒色	3-174051-2
	PRE-TIN x 10			
SEE DWG 2-174051-2				2-174051-2
SEE DWG 1-174051-4				1-174051-4
OBSOLETE	TIN-LEAD	SELECTIVE GOLD x 12	BLACK 黒色	1-174051-2
		PRE-TIN x 12	BLUE 青色	174051-5
		PRE-TIN x 12	GREEN 緑色	174051-4
		PRE-TIN x 12	BLACK 黒色	174051-2
SOLDERING SIDE 半田付け部	CONTACT SIDE 接触部側	△ GOLD PLATED CIRCUIT NO. 金めっき回路番号	COLOR 色	PART NUMBER 製品型番
CONTACT FINISH コントクト仕上				


STE TE Connectivity

040 SERIES MULTI-LOCK I/O CONN. 12POSITION CAP ASSY (HORIZONTAL TYPE)

DWN T.SHINOHARA 19OCT00	CHK A.YAMAGUCHI 19OCT00	APVD K.BETSUI 19OCT00	NAME 名称
PRODUCT SPEC 製品規格 108-5244			SIZE
APPLICATION SPEC 取付適用規格			CAGE CODE
WEIGHT 7.0 g			DRAWING NO 番号 C-174051
CUSTOMER DRAWING			RESTRICTED TO
SCALE 尺度 2:1		SHEET 1 OF 1	REV J9

Looking for pricing, stock, or lifecycle information?

Click below to explore more details on WIN SOURCE:

 [View 174051-2 on WIN SOURCE](#)

 [TE Connectivity](#) Information

Optimize Your Supply Chain with WIN SOURCE Solutions

-  Global Sourcing Solution
-  Obsolete Management
-  Cost Control Management
-  Shortage Management
-  Alternative Solution
-  Excess Inventory Management