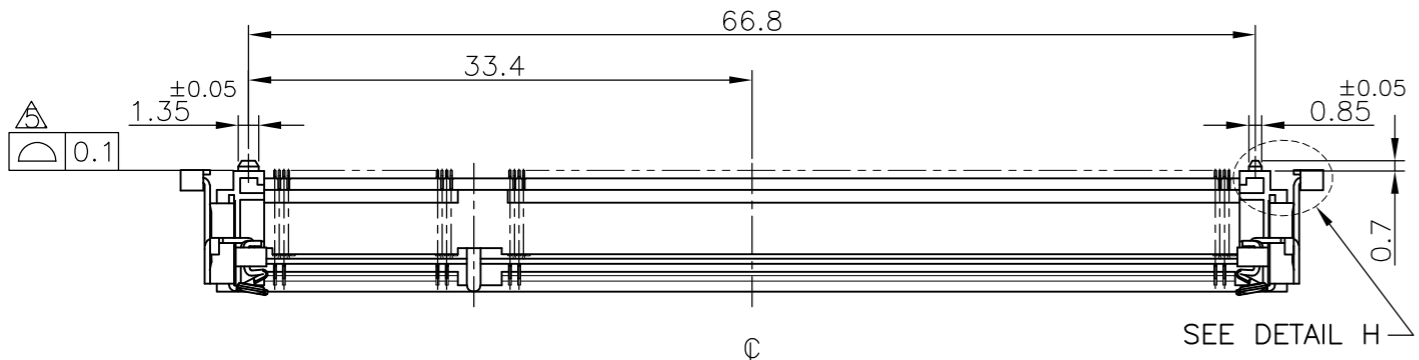
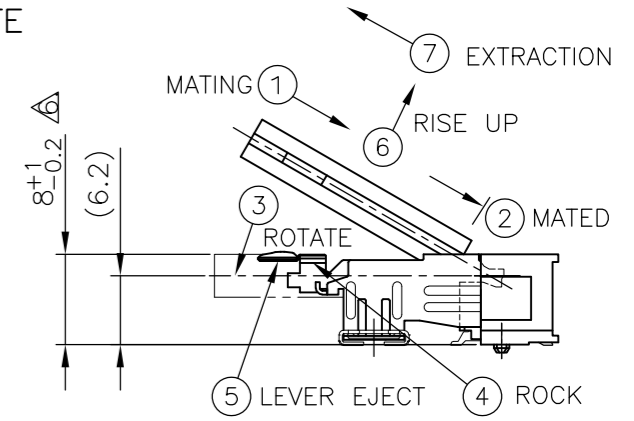
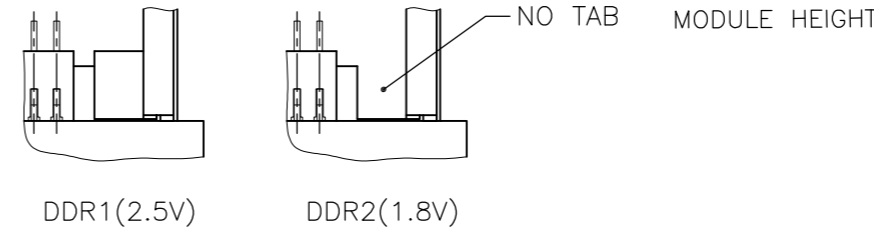
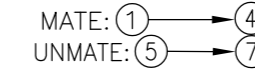




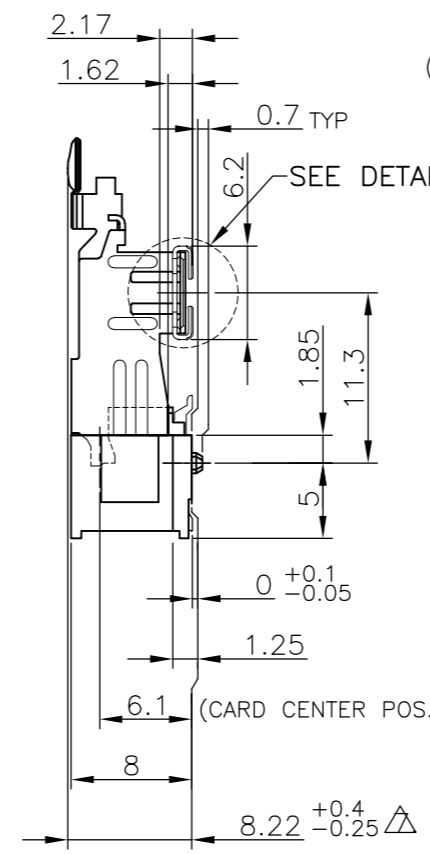
LOC		DIST		REVISIONS			DATE	DWN	APVD
J				P	LTR	DESCRIPTION			
						E1 ECR-10-014684	22JUL10	B.W	S.Y



HOW TO MATE AND UNMATE

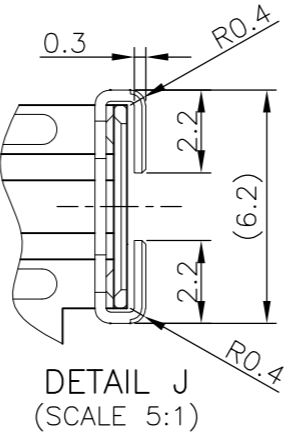
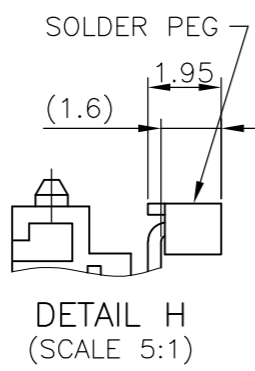
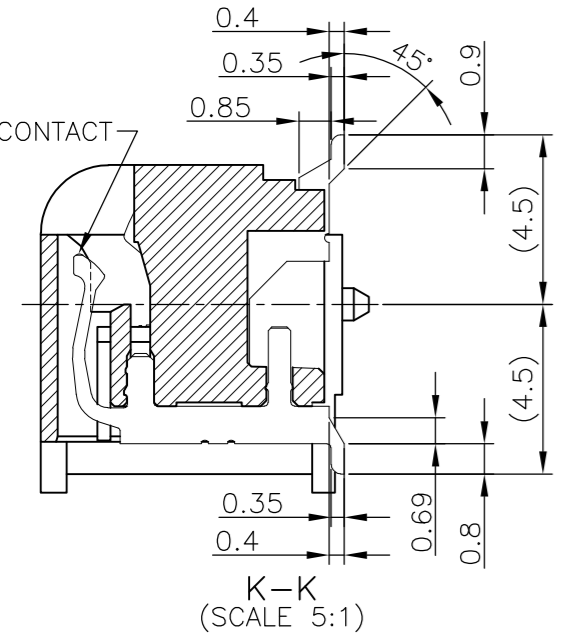
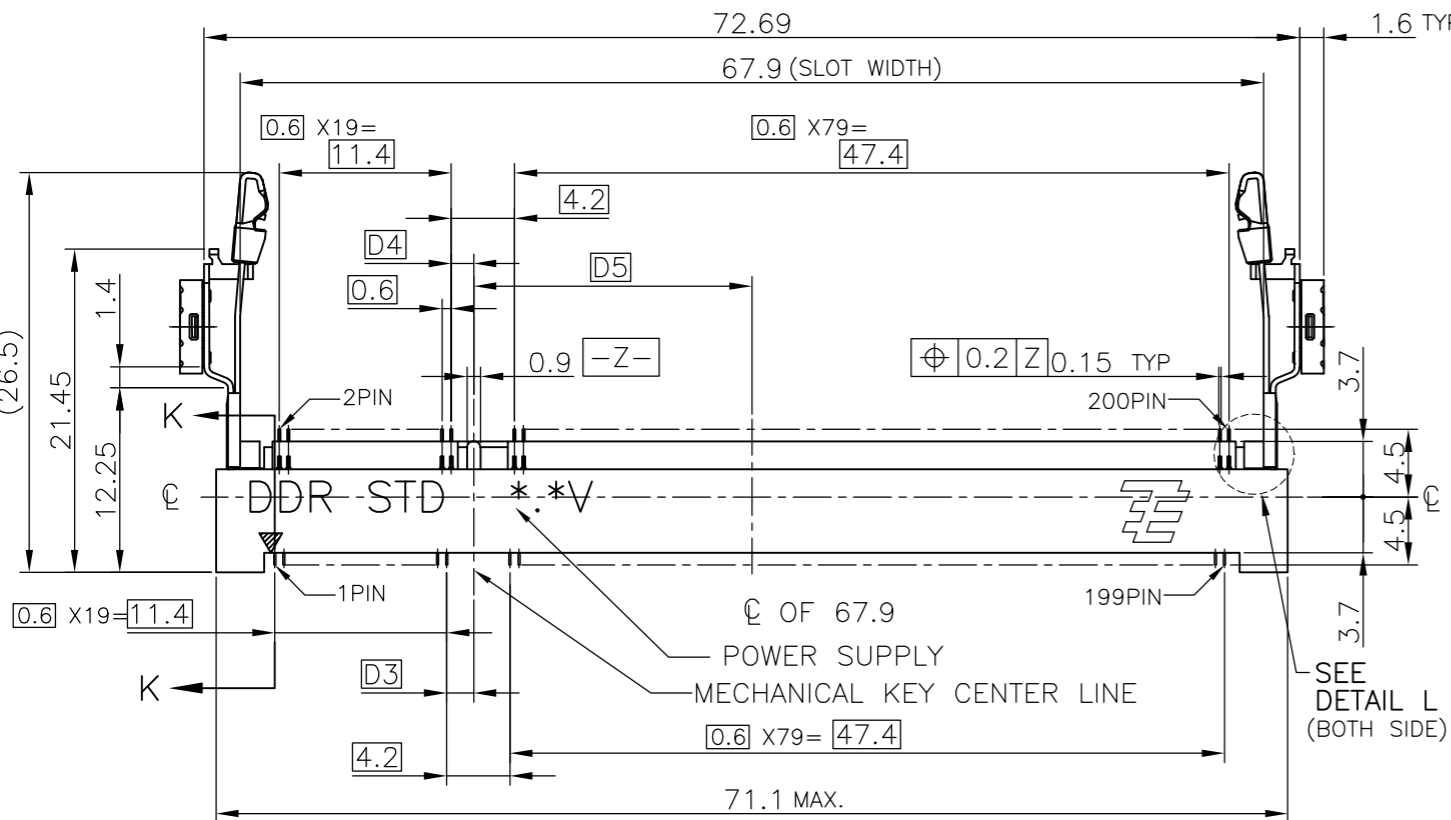


DETAIL L (SCALE 5:1)



(APPLIED TO SHEET 1-2)

- MATERIAL ; HOUSING: HIGH TEMPERATURE THERMO PLASTIC UL94V-0  
CONTACT: COPPER ARROY  
LOCK LEVER: STAINLESS STEEL  
SOLDER PEG: COPPER ARROY
  - FINISH ; CONTACT AREA: GOLD FLASH ON 0.0013MIN ALL OVER NICKEL.  
SOLDERING AREA: GOLD FLASH PLT.  
SOLDER PEG: TIN PLATING.
- MECHANICAL KEY POSITION OF CONNECTOR SEE TABLE.
  - TOLERANCES NON-CUMULATIVE.
  - COPLANARITY : 0.1 MAX.
  - THE FLOATING VALUE BY SOLDERING IS NOT INCLUDED.
  - NOT MATING CONDITION.
  - IF THE MODULE DOESN'T INSERT AND LOCK IN THE LATCH SMOOTHLY, OPEN WIDE BOTH LATCHES BY MANUAL. AND THE MODULE MUST BE INSERTED AND LOCKED IN THE LATCH.



GENERAL TOLERANCE

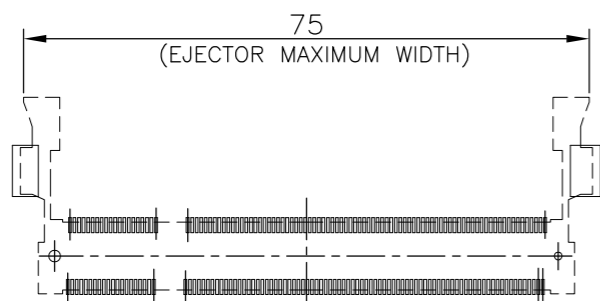
10 ≥ :	±0.2
30 ≥ > 10:	±0.25
100 ≥ > 30:	±0.3
ANGLES:	±3°

AVAILABLE	1.8V (DDR2)	17.55	2.4	2.7	200	1612619-4
AVAILABLE	2.5V (DDR1)	18.45	1.5	1.8	200	1612619-1
TOOLING STATUS	POWER SUPPLY (TYPE)	D5	D4	D3	POS	PART NO.

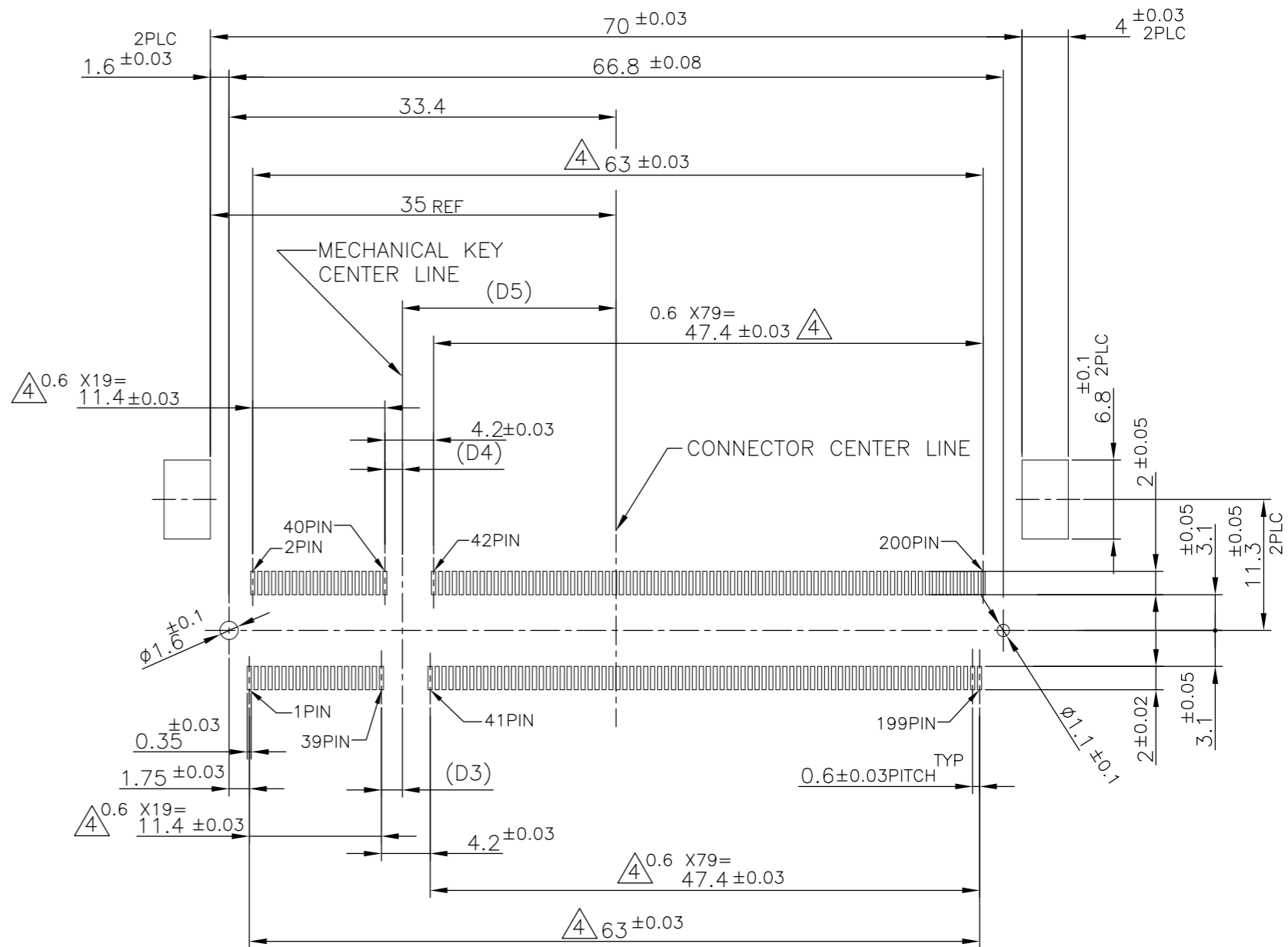
THIS DRAWING IS A CONTROLLED DOCUMENT.

DIMENSIONS: MM	TOLERANCES UNLESS OTHERWISE SPECIFIED:	DWN J.TANIGAWA 20NOV02	<p>Tyco Electronics Kawasaki, Japan</p>
		CHK H.KODAMA 20NOV02	
		APVD I.ENOMOTO 20NOV02	
		NAME	
		PRODUCT SPEC	DDR1 & DDR2 SODIMM SOCKET
		108-5701	0.6mm PITCH 200POS
		APPLICATION SPEC	8mm HEIGHT STANDARD TYPE
MATERIAL	FINISH	WEIGHT	SIZE CAGE CODE DRAWING NO RESTRICTED TO
			A3 00779 C-1612619
CUSTOMER DRAWING		SCALE 2:1	SHEET 1 OF 4 REV E1

LOC	DIST	REVISIONS			
P	LTR	DESCRIPTION	DATE	DWN	APVD
J		SEE SHEET 1	-	-	-



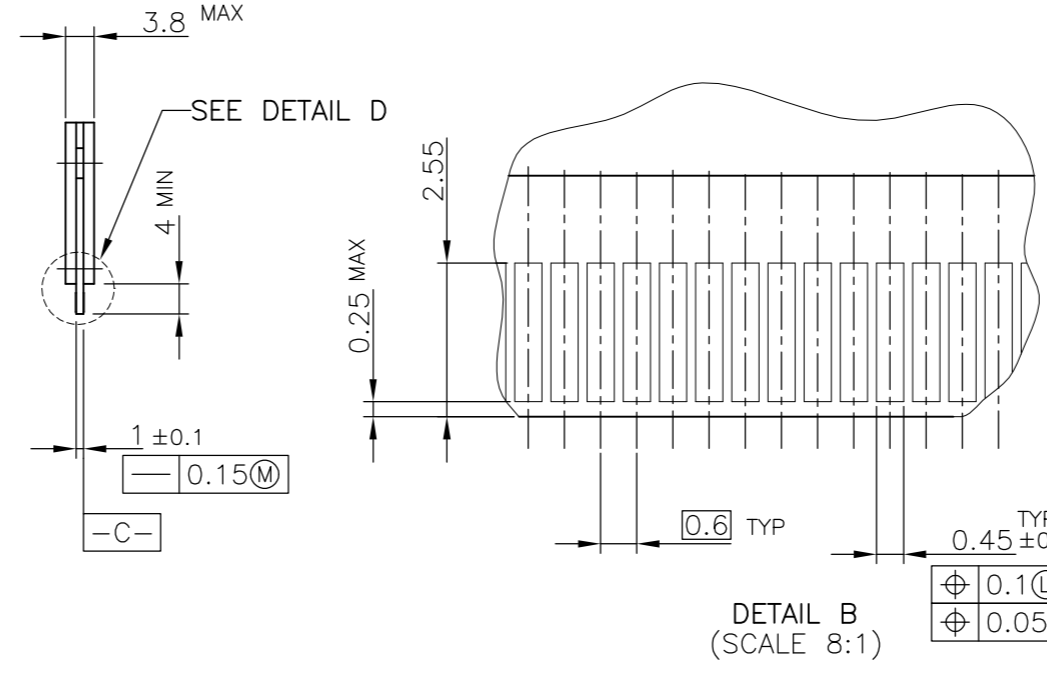
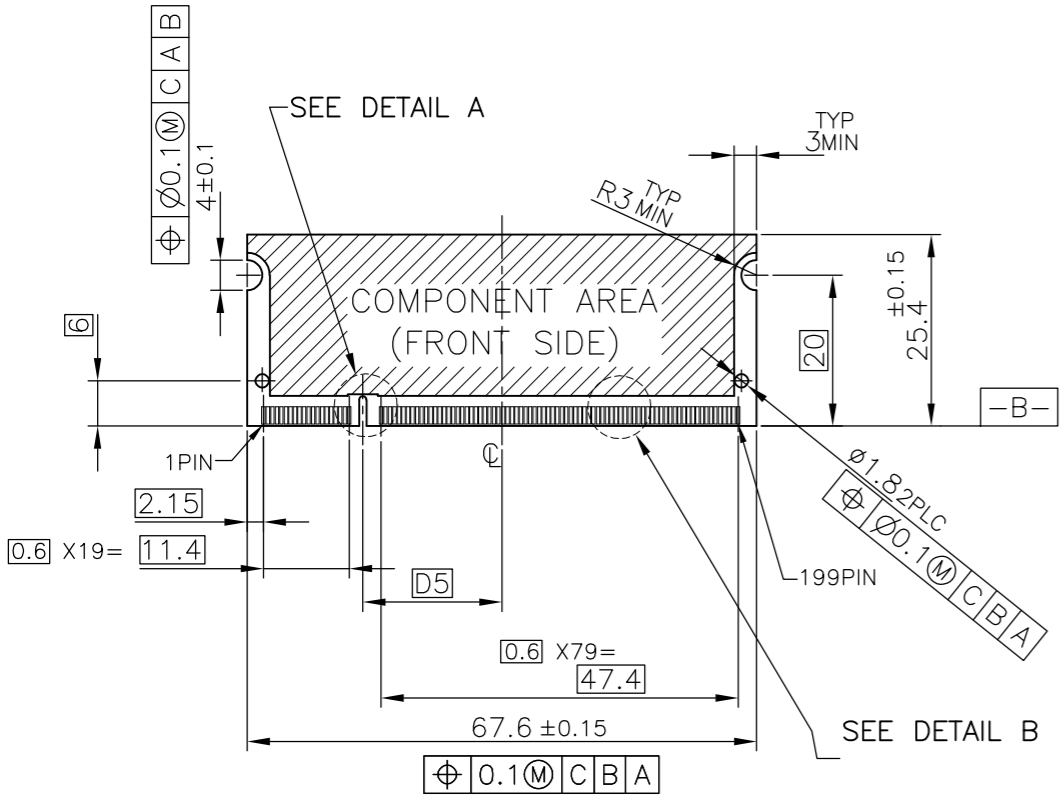
REAL SIZE (SCALE 1:1)



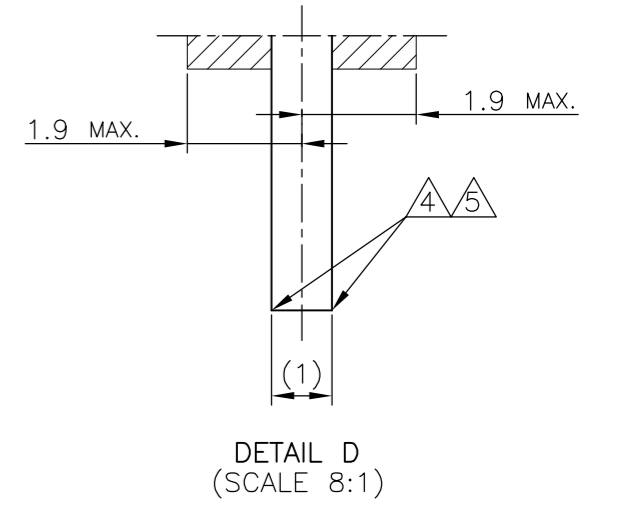
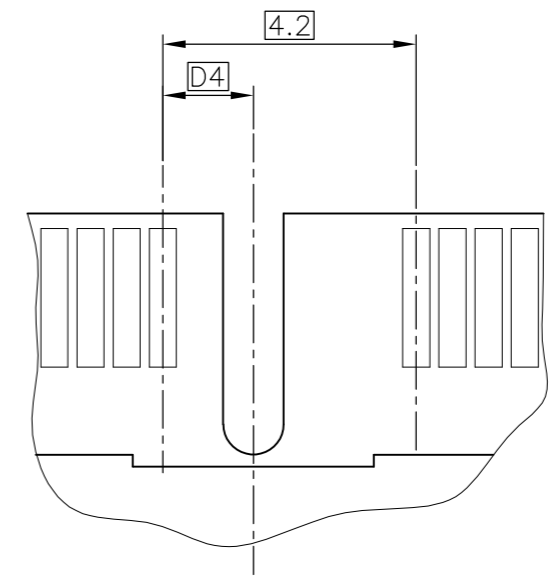
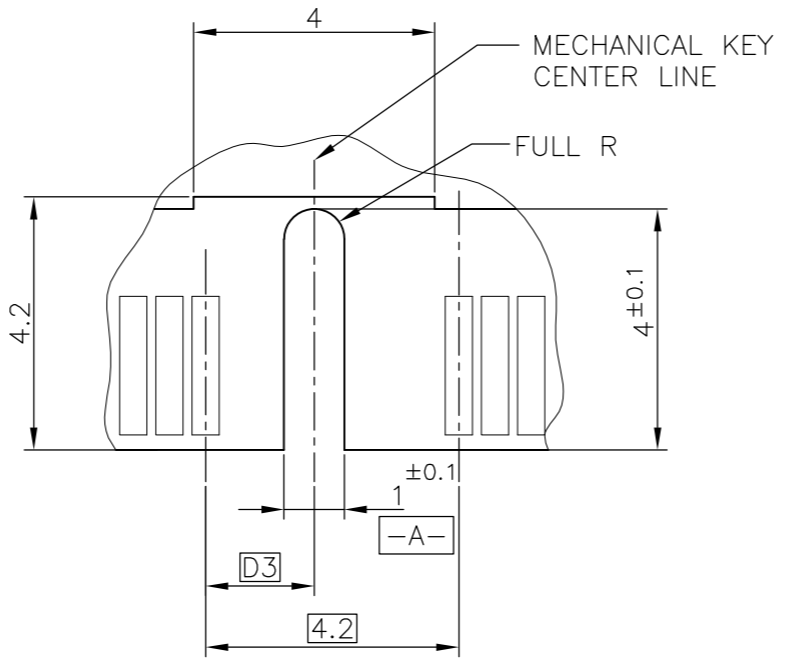
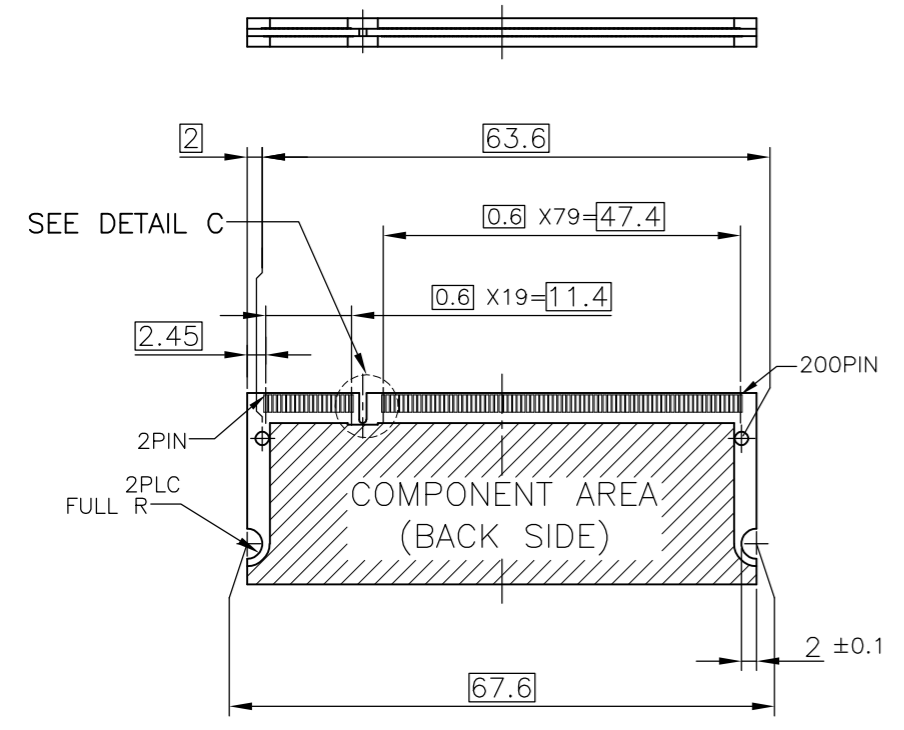
REFERENCE P.C.BOARD PATTERN LAYOUT FOR DUAL USE (CONNECTOR MOUNTING SIDE)

THIS DRAWING IS A CONTROLLED DOCUMENT.		DWN	Tyco Electronics Kawasaki, Japan		
DIMENSIONS: MM		CHK	NAME		
TOLERANCES UNLESS OTHERWISE SPECIFIED:		APVD	DDR1 & DDR2 SODIMM SOCKET		
0 PLC ±		PRODUCT SPEC	0.6mm PITCH 200POS		
1 PLC ±		APPLICATION SPEC	8mm HEIGHT STANDARD TYPE		
2 PLC ±		WEIGHT	SIZE	CAGE CODE	DRAWING NO
3 PLC ±		CUSTOMER DRAWING	A3	00779	1612619
4 PLC ±			SCALE	SHEET	OF
ANGLES ±			2:1	2	4
FINISH					E1

LOC	DIST	REVISIONS			
P	LTR	DESCRIPTION	DATE	DWN	APVD
J		SEE SHEET 1	-	-	-



- (APPLIED TO SHEET 3)
1. TOLERANCES ON ALL DIMENSIONS ±0.15 UNLESS OTHERWISE SPECIFIED.
  2. P.C.BOARD THICKNESS APPLIES ACROSS TABS AND INCLUDES PLATING AND/OR METALIZATION.
  3. FINISH OF PAD : GOLD PLATING 0.00076 MIN. OVER Ni PLATING 0.002MIN.
- △ NO BURR.
- △ CHAMFER 0.25 MAX x 45° IF EXIST.



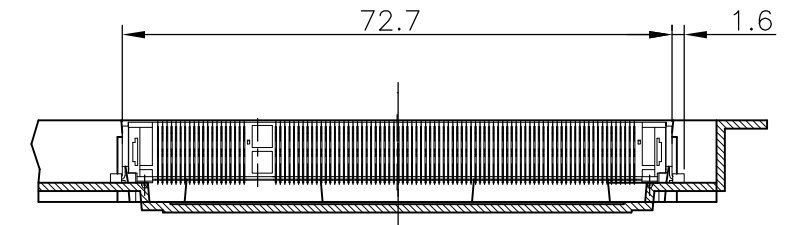
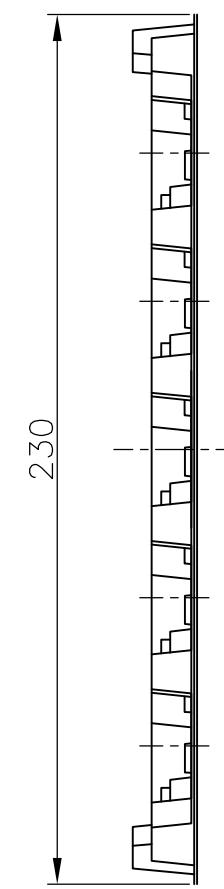
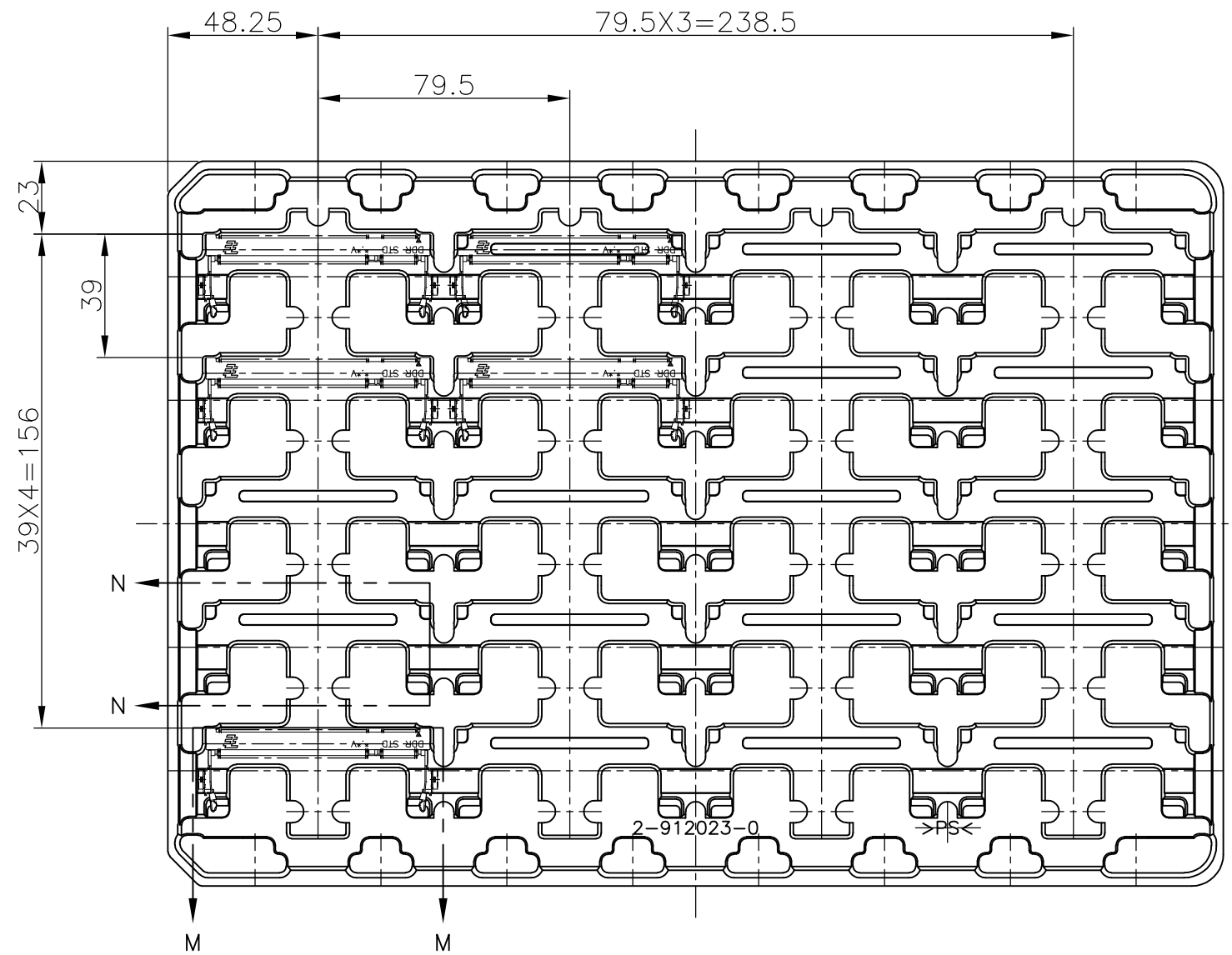
推奨基板仕様  
RECOMMENDED MATING P.C.B CONFIGURATION

1.8V	17.55	2.4	2.7
2.5V	18.45	1.5	1.8
POWER SUPPLY	D5	D4	D3

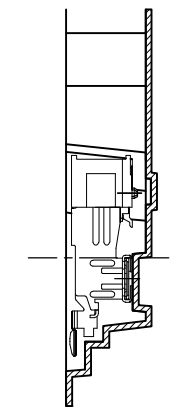
THIS DRAWING IS A CONTROLLED DOCUMENT.		DWN		Tyco Electronics		Tyco Electronics AMP K.K.	
DIMENSIONS: MM		CHK		NAME		Kawasaki, Japan	
TOLERANCES UNLESS OTHERWISE SPECIFIED:		APVD		PRODUCT SPEC		DDR1 & DDR2 SODIMM SOCKET	
0 PLC ±		PRODUCT SPEC		APPLICATION SPEC		0.6mm PITCH 200POS	
1 PLC ±		WEIGHT		SIZE		8mm HEIGHT STANDARD TYPE	
2 PLC ±		CUSTOMER DRAWING		CAGE CODE		RESTRICTED TO	
3 PLC ±		SCALE 2:1		DRAWING NO		SHEET 3 OF 4	
4 PLC ±		SHEET 3 OF 4		A3 00779 C-1612619		REV E1	
ANGLES ±		REV E1					
FINISH							

THIS DRAWING IS UNPUBLISHED. RELEASED FOR PUBLICATION NOV , 2002.  
 © COPYRIGHT 2002 BY TYCO ELECTRONICS CORPORATION. ALL RIGHTS RESERVED.

LOC	DIST	REVISIONS			
P	LTR	DESCRIPTION	DATE	DWN	APVD
J		SEE SHEET 1	-	-	-

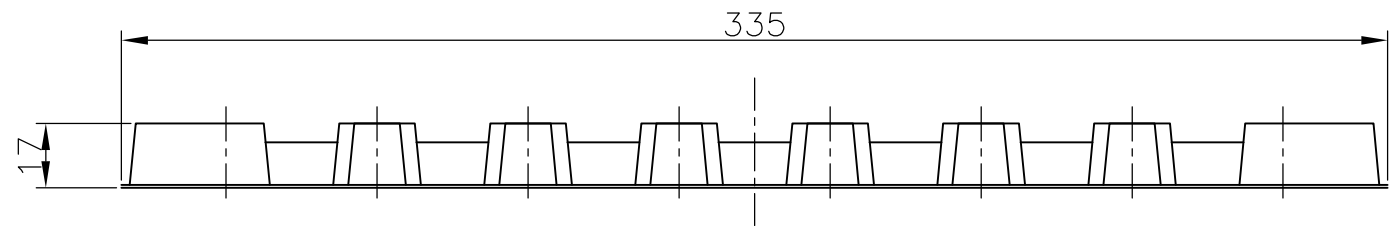


M-M  
SCALE 1:1  
(180DEG. ROTATE)



N-N  
SCALE 1:1

1. THE DIRECTION OF EACH CONNECTOR ON A TRAY IS REFERRED TO THIS DRAWING.
2. GENERAL TOLERANCE: ±0.5



20EA/TRAY	1612619-4
20EA/TRAY	1612619-1
QTY	P/N

THIS DRAWING IS A CONTROLLED DOCUMENT.		DWN	Tyco Electronics AMP K.K. Kawasaki, Japan			
DIMENSIONS: MM		CHK				
TOLERANCES UNLESS OTHERWISE SPECIFIED:		APVD	NAME			
0 PLC ± 0.5		PRODUCT SPEC	DDR1 & DDR2 SODIMM SOCKET			
1 PLC ± 0.5		APPLICATION SPEC	0.6mm PITCH 200POS			
2 PLC ± 0.5		WEIGHT	SIZE	CAGE CODE	DRAWING NO	RESTRICTED TO
3 PLC ± 0.5			A3	00779	C-1612619	
4 PLC ± 0.5		CUSTOMER DRAWING		SCALE	SHEET	REV
ANGLES ± 3'				1:2	4 OF 4	E1
FINISH						

## Looking for pricing, stock, or lifecycle information?

Click below to explore more details on WIN SOURCE:

 [View 1612619-4 on WIN SOURCE](#)

 [TE Connectivity](#) Information

## Optimize Your Supply Chain with WIN SOURCE Solutions

-  Global Sourcing Solution
-  Obsolete Management
-  Cost Control Management
-  Shortage Management
-  Alternative Solution
-  Excess Inventory Management