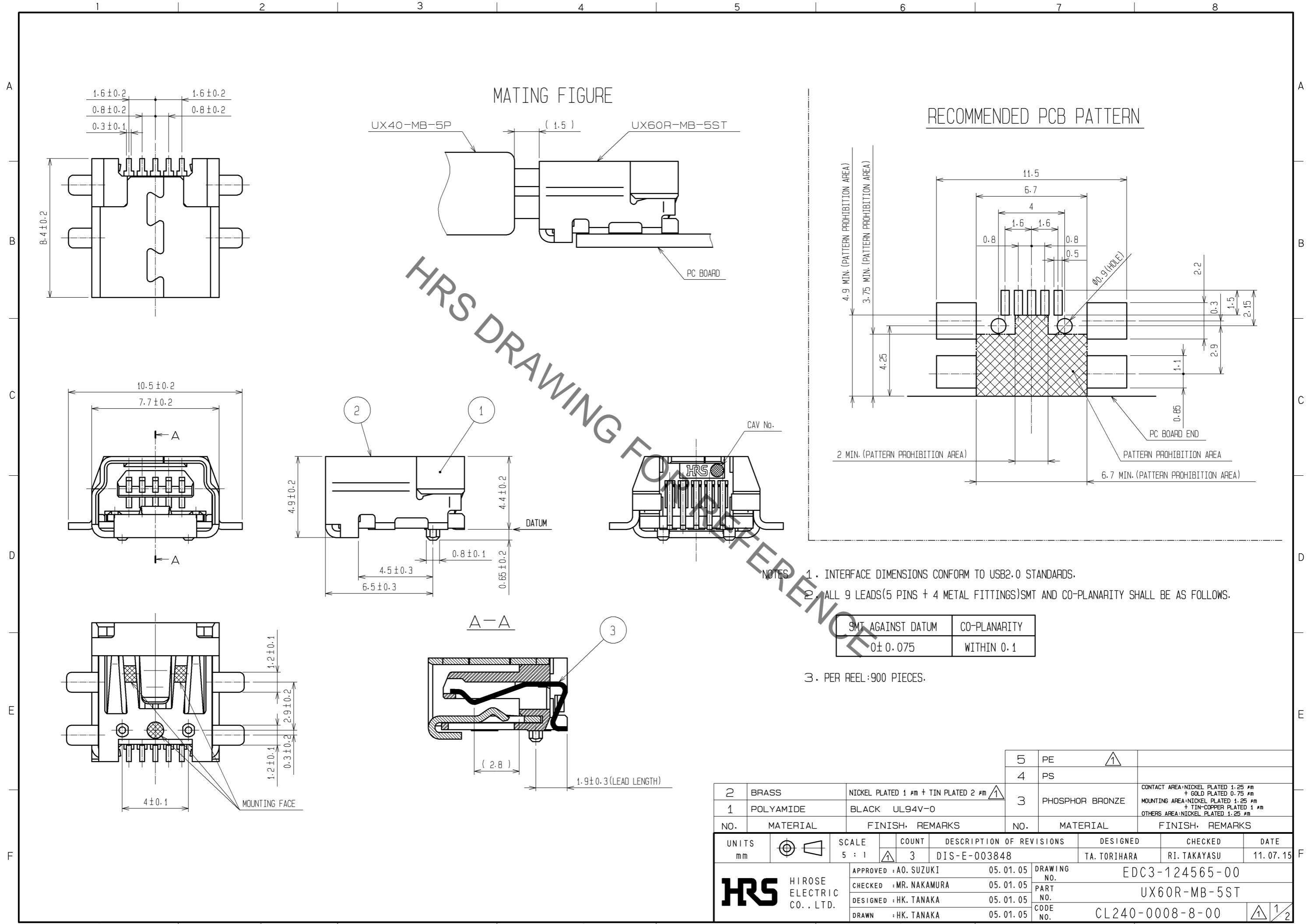




**THE DATASHEET OF
UX60R-MB-5ST**



Aug.1.2019 Copyright 2019 HIROSE ELECTRIC CO., LTD. All Rights Reserved.
 In case of consideration for using Automotive equipment / device which demand high reliability, kindly contact our sales window correspondents.



NOTES 1. INTERFACE DIMENSIONS CONFORM TO USB2.0 STANDARDS.
 2. ALL 9 LEADS(5 PINS + 4 METAL FITTINGS)SMT AND CO-PLANARITY SHALL BE AS FOLLOWS.

| | |
|-------------------|--------------|
| SMT AGAINST DATUM | CO-PLANARITY |
| 0±0.075 | WITHIN 0.1 |

3. PER REEL:900 PIECES.

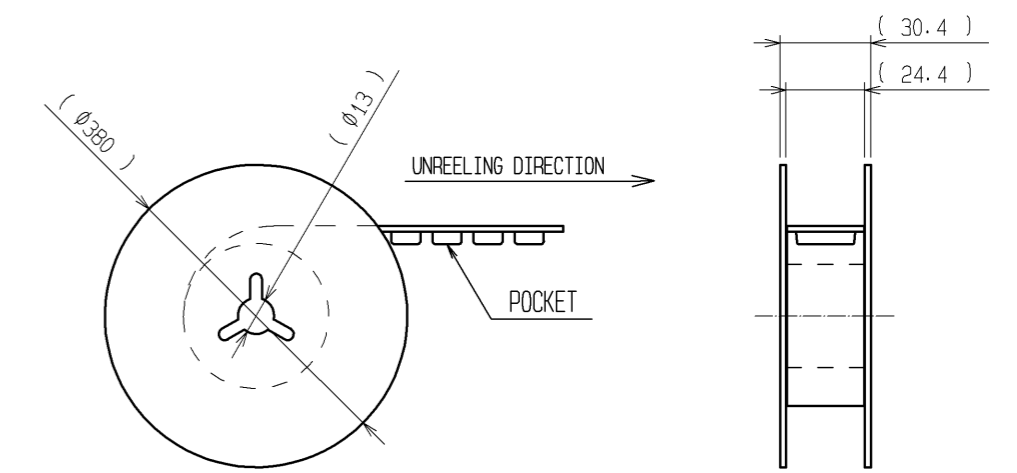
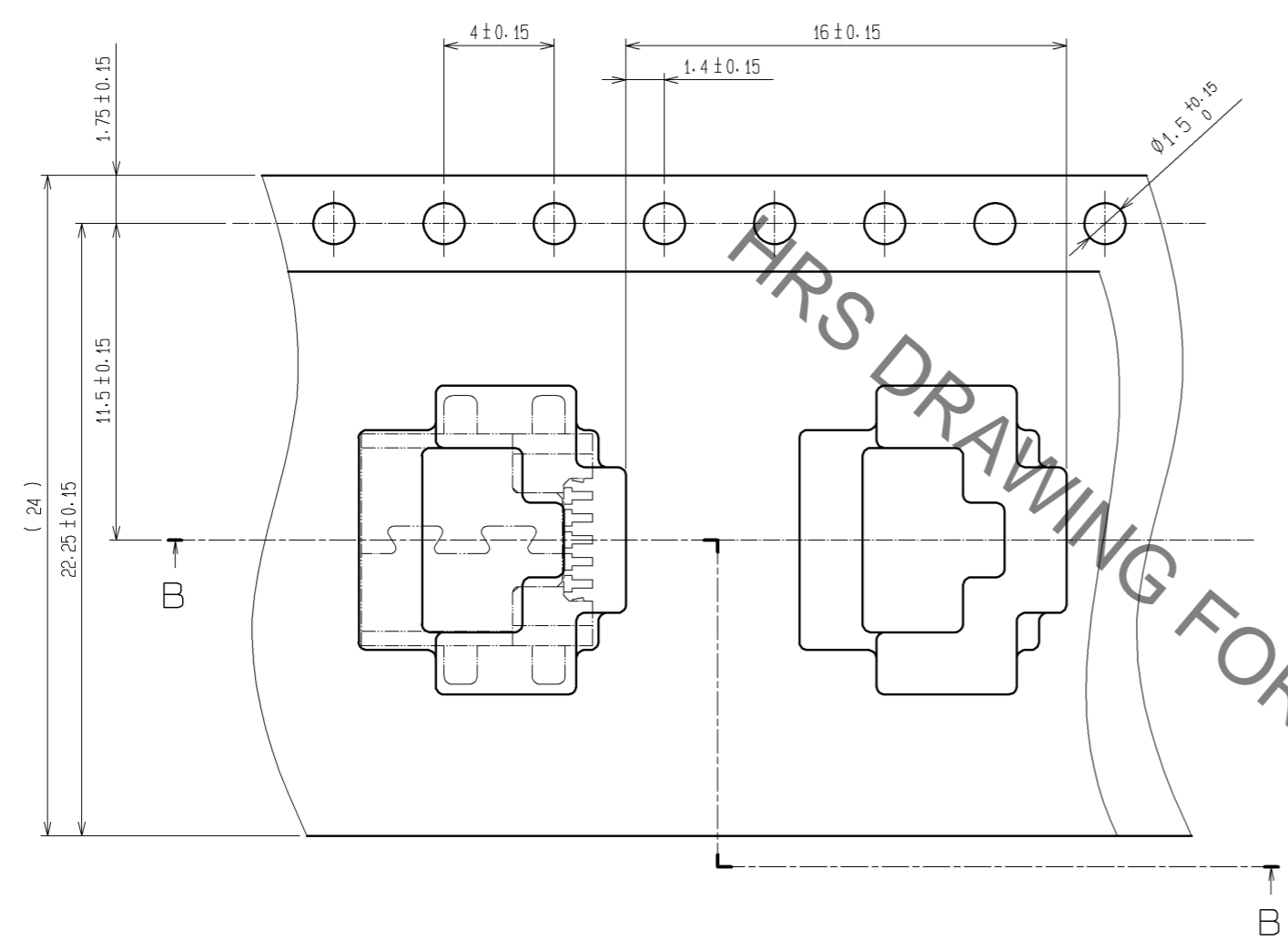
| | | | | | |
|--------------------------|-----------|--------------------------------------|----------------------------|-----------------|--|
| 2 | BRASS | NICKEL PLATED 1 μm + TIN PLATED 2 μm | 5 | PE | △ |
| 1 | POLYAMIDE | BLACK UL94V-0 | 4 | PS | |
| | | | 3 | PHOSPHOR BRONZE | CONTACT AREA: NICKEL PLATED 1.25 μm + GOLD PLATED 0.75 μm MOUNTING AREA: NICKEL PLATED 1.25 μm + TIN-COPPER PLATED 1 μm OTHERS AREA: NICKEL PLATED 1.25 μm |
| NO. | MATERIAL | FINISH, REMARKS | NO. | MATERIAL | FINISH, REMARKS |
| UNITS | mm | SCALE | 5 : 1 | COUNT | △ 3 |
| DESCRIPTION OF REVISIONS | | DESIGNED | TA. TORIHARA | CHECKED | RI. TAKAYASU |
| DATE | | 11.07.15 | DRAWING NO. EDC3-124565-00 | | |
| APPROVED : A0. SUZUKI | | 05.01.05 | PART NO. UX60R-MB-5ST | | |
| CHECKED : MR. NAKAMURA | | 05.01.05 | CODE NO. CL240-0008-8-00 | | |
| DESIGNED : HK. TANAKA | | 05.01.05 | △ 1/2 | | |
| DRAWN : HK. TANAKA | | 05.01.05 | | | |

Aug.1.2019 Copyright 2019 HIROSE ELECTRIC CO., LTD. All Rights Reserved.
In case of consideration for using Automotive equipment / device which demand high reliability, kindly contact our sales window correspondents.

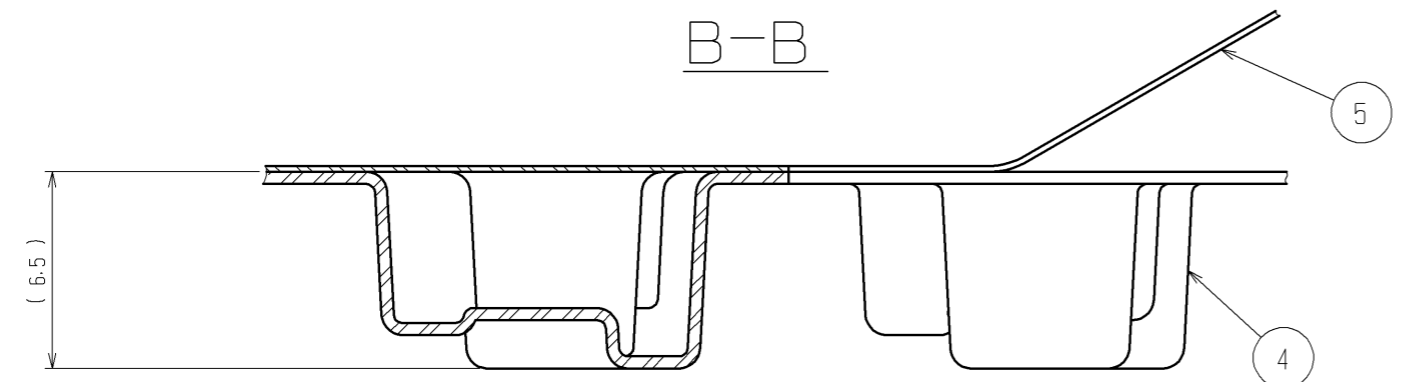
△ DRAWING FOR PACKING

UNREELING DIRECTION →

PACKAGING CONDITION(FREE)



B-B



HRS DRAWING FOR REFERENCE

| | | |
|------------|-------------|-----------------|
| HRS | DRAWING NO. | EDC3-124565-00 |
| | PART NO. | UX60R-MB-5ST |
| | CODE NO. | CL240-0008-8-00 |
| | | △ 2/2 |

Looking for pricing, stock, or lifecycle information?

Click below to explore more details on WIN SOURCE:

- [View UX60R-MB-5ST on WIN SOURCE](#)
- [Hirose Electric Co Ltd Information](#)

Optimize Your Supply Chain with WIN SOURCE Solutions

- ✓ Global Sourcing Solution
- ✓ Obsolete Management
- ✓ Cost Control Management
- ✓ Shortage Management
- ✓ Alternative Solution
- ✓ Excess Inventory Management