



**THE DATASHEET OF**  
**1513151-1**



4

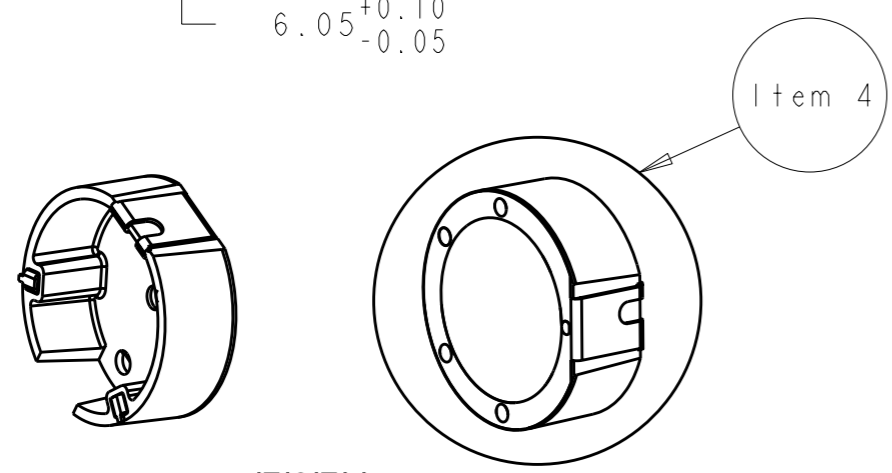
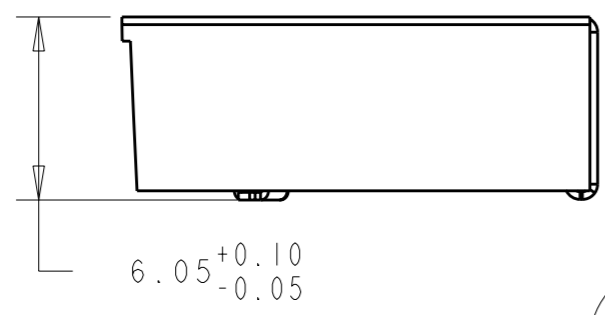
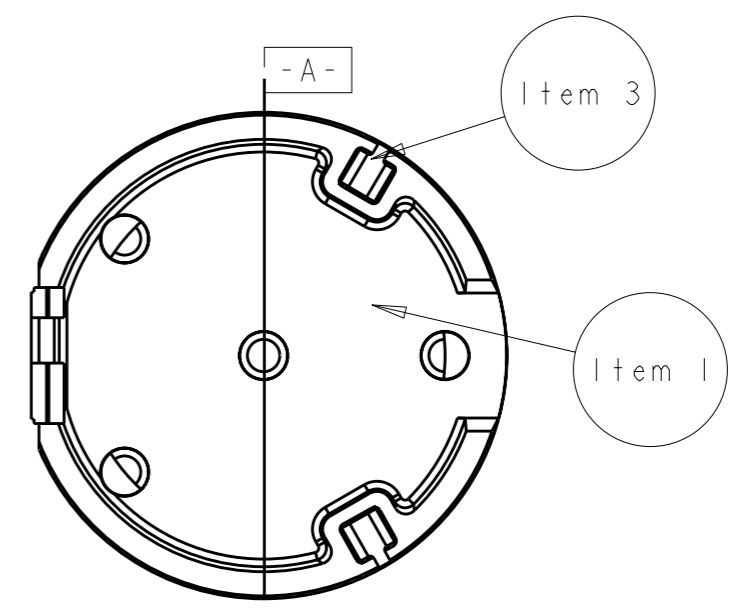
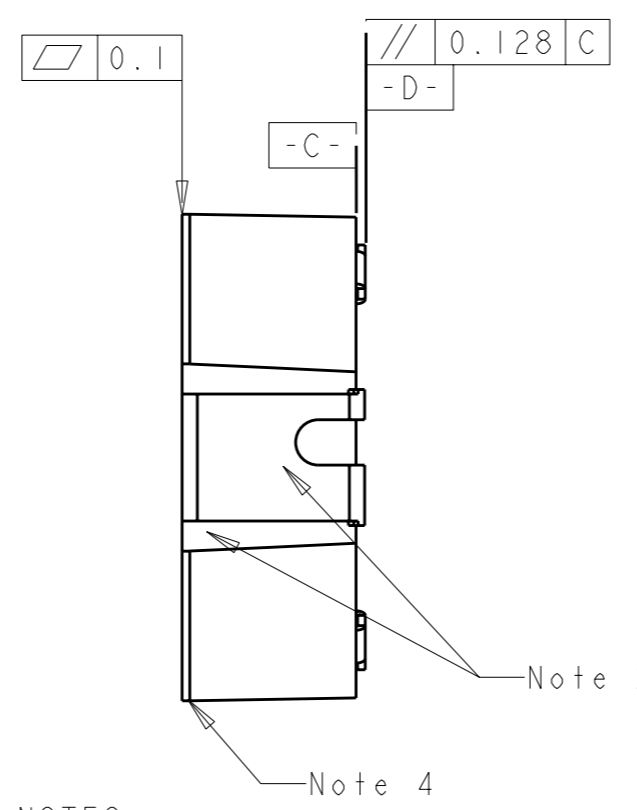
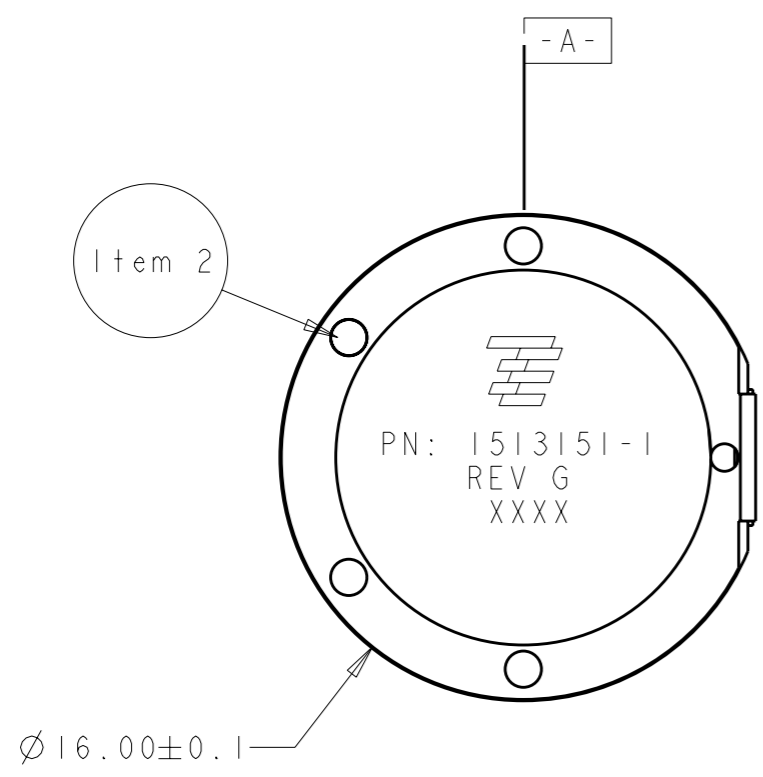
3

2

1

THIS DRAWING IS UNPUBLISHED. RELEASED FOR PUBLICATION 20  
 © COPYRIGHT 20 BY - ALL RIGHTS RESERVED.

LOC	DIST	REVISIONS			
P	LTR	DESCRIPTION	DATE	DWN	APVD
HQ	00	G1	REVISED PER ECO-11-005027	12MAR2011	RK HMR



1513151-1  
SCALE 2:1

NOTES:

1. Material - Dow Questra WA550, 30% glass filled, natural color.
2. Item 2 insert molded into Item 1. Flat side wall of Item 2 to be flush with flat side wall in Item 1.
3. Item 3 press fit into Item 4.
4. No air gaps between components
5. General tolerance block applies unless otherwise specified.

ITEM NO.	QTY.	DESCRIPTION
1	1	OVERMOLDED METAL RING
2	1	METAL RING
3	2	ANCHOR TAB
4	1	ASSEMBLY

THIS DRAWING IS A CONTROLLED DOCUMENT.		DWN DJL 06OCT2003	<b>STE</b> TE Connectivity	
DIMENSIONS: mm		CHK -		
TOLERANCES UNLESS OTHERWISE SPECIFIED:		APVD -	NAME Antenna Bluetooth/WLAN	
0 PLC ±0.10	1 PLC ±0.10	PRODUCT SPEC -	SIZE A3	
2 PLC ±0.05	3 PLC ±0.05	APPLICATION SPEC -	CAGE CODE 00779	DRAWING NO C-1513151
4 PLC ±0.01	ANGLES ±1°	WEIGHT -	RESTRICTED TO -	
MATERIAL -	FINISH -	CUSTOMER DRAWING		
SCALE 4:1			SHEET 1 OF 1	REV G1

## Looking for pricing, stock, or lifecycle information?

Click below to explore more details on WIN SOURCE:

 [View 1513151-1 on WIN SOURCE](#)

 [TE Connectivity](#) Information

## Optimize Your Supply Chain with WIN SOURCE Solutions

-  Global Sourcing Solution
-  Obsolete Management
-  Cost Control Management
-  Shortage Management
-  Alternative Solution
-  Excess Inventory Management