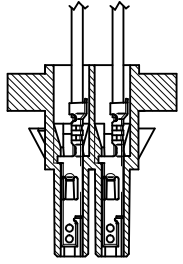




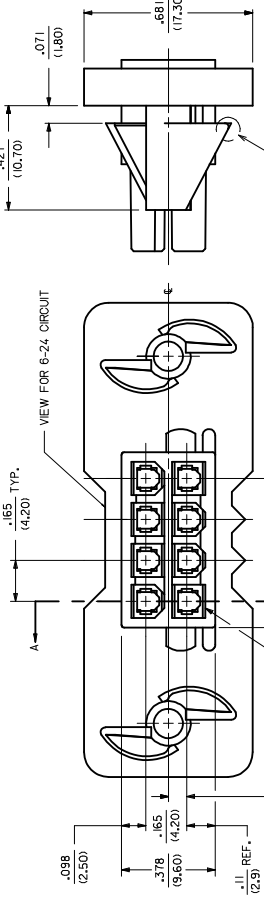
THE DATASHEET OF
15-06-0101



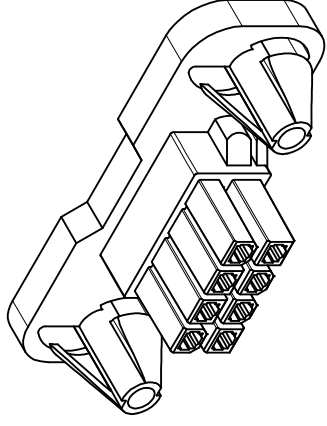
	20	19	18	17	16	15	14	13	12	11	10	9	8	7	6
M															
L															
K															
J															
I															
H															
G															
F															
E															
D															
C															
B															
A															



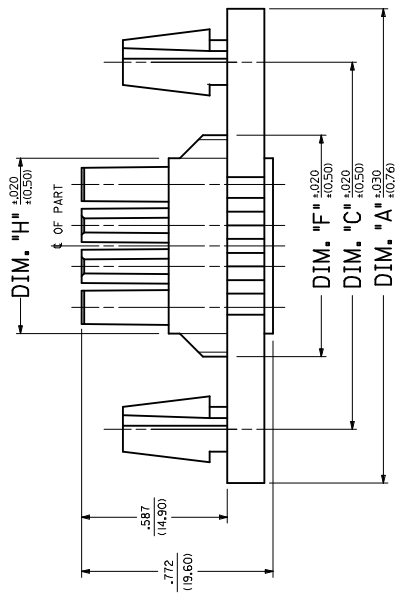
SECTION "A-A"
TERMINAL ORIENTATION



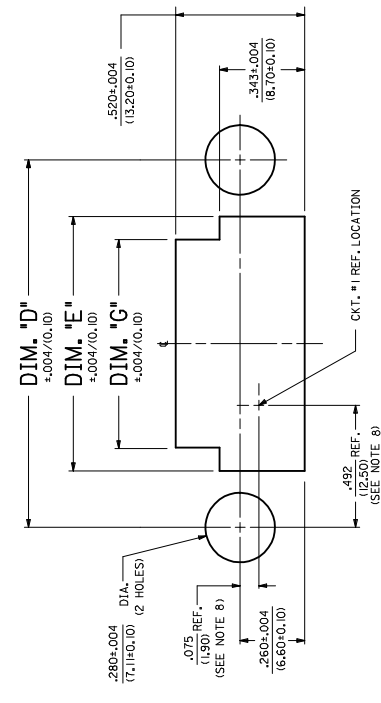
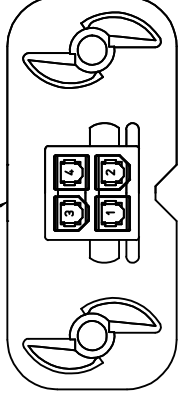
THIS AREA CAN BE SHARP OR RADIUS



VIEW FOR 2 AND 4 CIRCUIT
NOTCH REMOVED



2-8 & 12-24 CIRCUIT HEADER
(SEE SHEET 2 FOR 10 CIRCUIT HEADER DESIGN)



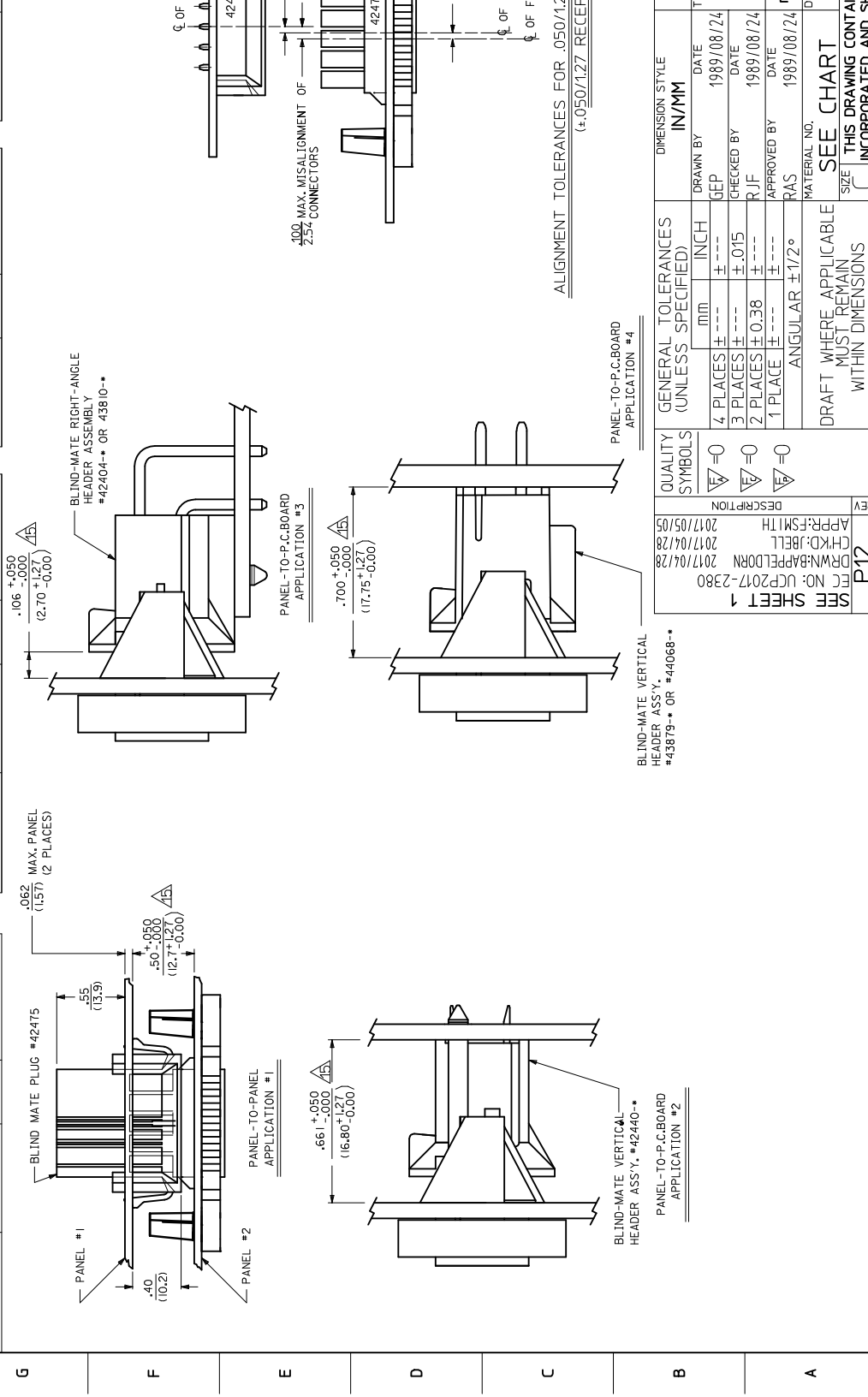
RECOMMENDED PANEL CUT-OUT FOR .050±0.02/(1/27±0.30) THICK PANEL
(SEE NOTE 11)

LEGEND:
42474 - ** * 1
BASE NUMBER
CIRCUIT SIZE (02-24)
MATERIAL (SEE NOTE 1)

QUALITY SYMBOLS	GENERAL TOLERANCES (UNLESS SPECIFIED)	DRAWN BY
△	1 PLACES ± .015	GEP
△	2 PLACES ± .038	RJF
△	3 PLACES ± .015	APPROVED
△	1 PLACE ± .015	APPROVED
	ANGULAR ±1/2°	MATERIAL
	DRAFT WHERE APPLICABLE	SEE
	MUST REMAIN WITHIN DIMENSIONS	TH
		D

ECN NO: UCP2017-2380
 DRW: KAPPELLEORN 2017/04/28
 CHK: DJBEL 2017/04/28
 APPR: FSMTH
 REV P12

13	12	11	10	9	8	7	6	5	4		
PART NUMBER	ENG. NUMBER	CKT. SIZE	MATERIAL (SEE NOTE 1.)	PART NUMBER	ENG. NUMBER	CKT. SIZE	MATERIAL (SEE NOTE 1.)	ITEM NUMBER	CKT. SIZE	MATERIAL (SEE NOTE 1.)	ITEM NUMBER
J	NOT TOOLED	42474-0211	94V-2	NOT TOOLED	42474-0221	2	94V-0	NOT TOOLED	2	94V-2	NOT TOOLED
	15-06-0040	42474-0411	94V-2	15-06-0041	42474-0421	4	94V-0	42474-0431	4	94V-2	42474-0441
	15-06-0060	42474-0611	94V-2	15-06-0061	42474-0621	6	94V-0	42474-0631	6	94V-2	42474-0641
	15-06-0080	42474-0811	94V-2	15-06-0081	42474-0821	8	94V-0	42474-0831	8	94V-2	42474-0841
I	15-06-0100	42474-1011	94V-2	15-06-0101	42474-1021	10	94V-0	42474-1031	10	94V-2	42474-1041
	NOT TOOLED	42474-1211	94V-2	NOT TOOLED	42474-1221	12	94V-0	NOT TOOLED	12	94V-2	NOT TOOLED
	15-06-0140	42474-1411	94V-2	15-06-0141	42474-1421	14	94V-0	42474-1431	14	94V-2	42474-1441
	NOT TOOLED	42474-1611	94V-2	NOT TOOLED	42474-1621	16	94V-0	NOT TOOLED	16	94V-2	NOT TOOLED
H	15-06-0180	42474-1811	94V-2	15-06-0181	42474-1821	18	94V-0	42474-1831	18	94V-2	42474-1841
	NOT TOOLED	42474-2011	94V-2	NOT TOOLED	42474-2021	20	94V-0	NOT TOOLED	20	94V-2	NOT TOOLED
	NOT TOOLED	42474-2211	94V-2	NOT TOOLED	42474-2221	22	94V-0	NOT TOOLED	22	94V-2	NOT TOOLED
	15-06-0240	42474-2411	94V-2	15-06-0241	42474-2421	24	94V-0	42474-2431	24	94V-2	42474-2441



13	12	11	10	9	8	7	6	5	4		
PART NUMBER	ENG. NUMBER	CKT. SIZE	MATERIAL (SEE NOTE 1.)	PART NUMBER	ENG. NUMBER	CKT. SIZE	MATERIAL (SEE NOTE 1.)	ITEM NUMBER	CKT. SIZE	MATERIAL (SEE NOTE 1.)	ITEM NUMBER
J	NOT TOOLED	42474-0211	94V-2	NOT TOOLED	42474-0221	2	94V-0	NOT TOOLED	2	94V-2	NOT TOOLED
	15-06-0040	42474-0411	94V-2	15-06-0041	42474-0421	4	94V-0	42474-0431	4	94V-2	42474-0441
	15-06-0060	42474-0611	94V-2	15-06-0061	42474-0621	6	94V-0	42474-0631	6	94V-2	42474-0641
	15-06-0080	42474-0811	94V-2	15-06-0081	42474-0821	8	94V-0	42474-0831	8	94V-2	42474-0841
I	15-06-0100	42474-1011	94V-2	15-06-0101	42474-1021	10	94V-0	42474-1031	10	94V-2	42474-1041
	NOT TOOLED	42474-1211	94V-2	NOT TOOLED	42474-1221	12	94V-0	NOT TOOLED	12	94V-2	NOT TOOLED
	15-06-0140	42474-1411	94V-2	15-06-0141	42474-1421	14	94V-0	42474-1431	14	94V-2	42474-1441
	NOT TOOLED	42474-1611	94V-2	NOT TOOLED	42474-1621	16	94V-0	NOT TOOLED	16	94V-2	NOT TOOLED
H	15-06-0180	42474-1811	94V-2	15-06-0181	42474-1821	18	94V-0	42474-1831	18	94V-2	42474-1841
	NOT TOOLED	42474-2011	94V-2	NOT TOOLED	42474-2021	20	94V-0	NOT TOOLED	20	94V-2	NOT TOOLED
	NOT TOOLED	42474-2211	94V-2	NOT TOOLED	42474-2221	22	94V-0	NOT TOOLED	22	94V-2	NOT TOOLED
	15-06-0240	42474-2411	94V-2	15-06-0241	42474-2421	24	94V-0	42474-2431	24	94V-2	42474-2441

Looking for pricing, stock, or lifecycle information?

Click below to explore more details on WIN SOURCE:

 [View 15-06-0101 on WIN SOURCE](#)

 [Molex, LLC Information](#)

Optimize Your Supply Chain with WIN SOURCE Solutions

-  Global Sourcing Solution
-  Obsolete Management
-  Cost Control Management
-  Shortage Management
-  Alternative Solution
-  Excess Inventory Management