

4

3

2

1

THIS DRAWING IS UNPUBLISHED.

RELEASED FOR PUBLICATION

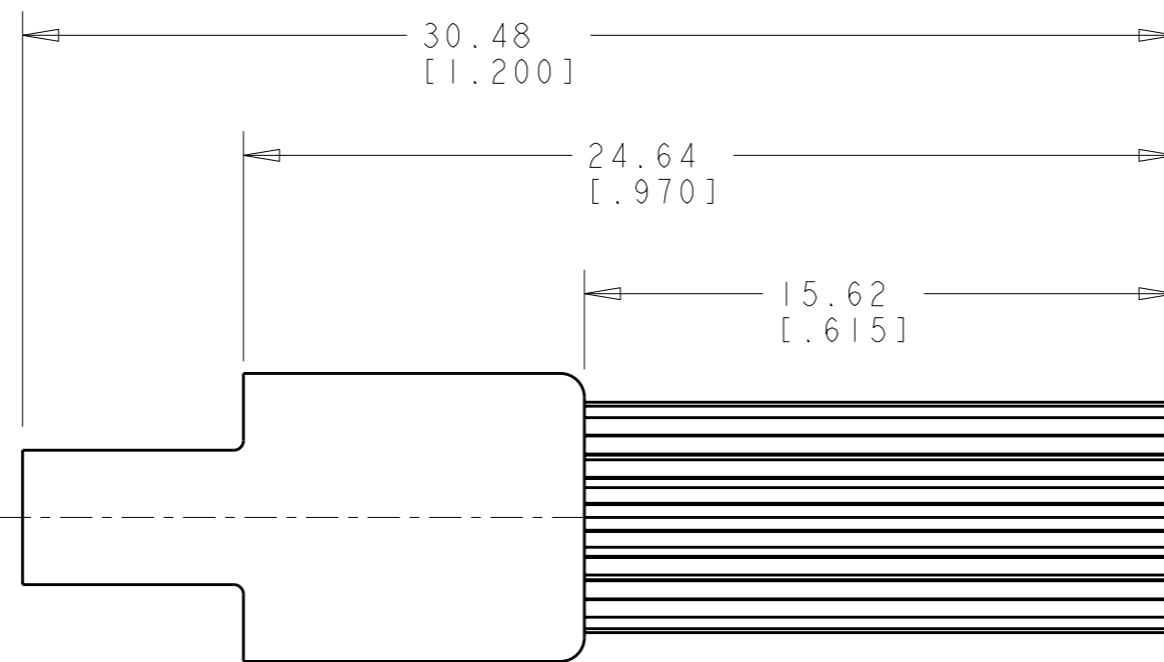
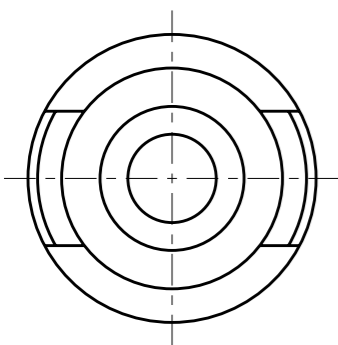
20

LOC
CM DIST
00

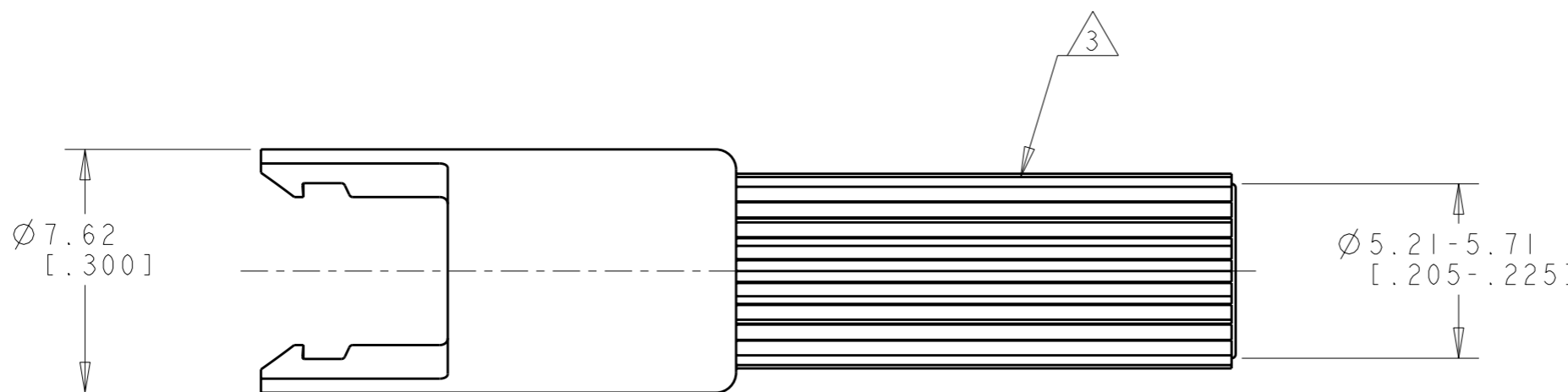
REVISIONS

© COPYRIGHT 20 BY - ALL RIGHTS RESERVED.

P	LTR	DESCRIPTION	DATE	DWN	APVD
	MI	REVISED PER ECO-11-005027	17MAR2011	RK	HMR



1. TO BE USED WITH MATE-N-LOK™ PINS
 2. MATES WITH PLUG 480349.
- △ 3 RIBS ARE OPTIONAL CONSTRUCTION AND MAY NOT APPEAR ON PART.



RED	1-480350-2
NATURAL	1-480350-0
COLOR	PART NUMBER

METRIC

THIS DRAWING IS A CONTROLLED DOCUMENT.

DWN K. WHITAKER 22-MAR-2002
 CHK D. COLEY 22-MAR-2002
 APVD D. COLEY 22-MAR-2002

TE Connectivity

NAME: CAP, SINGLE CIRCUIT, COMMERCIAL MATE-N-LOK(TM)

PRODUCT SPEC: -
 APPLICATION SPEC: -
 WEIGHT: -

MATERIAL: NYLON, 94V-2

FINISH: -

SIZE: A3 CAGE CODE: 00779 DRAWING NO: 480350 RESTRICTED TO: -

CUSTOMER DRAWING SCALE: 5:1 SHEET: 1 OF 1 REV: MI

Looking for pricing, stock, or lifecycle information?

Click below to explore more details on WIN SOURCE:

 [View 1-480350-0 on WIN SOURCE](#)

 [TE Connectivity](#) Information

Optimize Your Supply Chain with WIN SOURCE Solutions

-  Global Sourcing Solution
-  Obsolete Management
-  Cost Control Management
-  Shortage Management
-  Alternative Solution
-  Excess Inventory Management