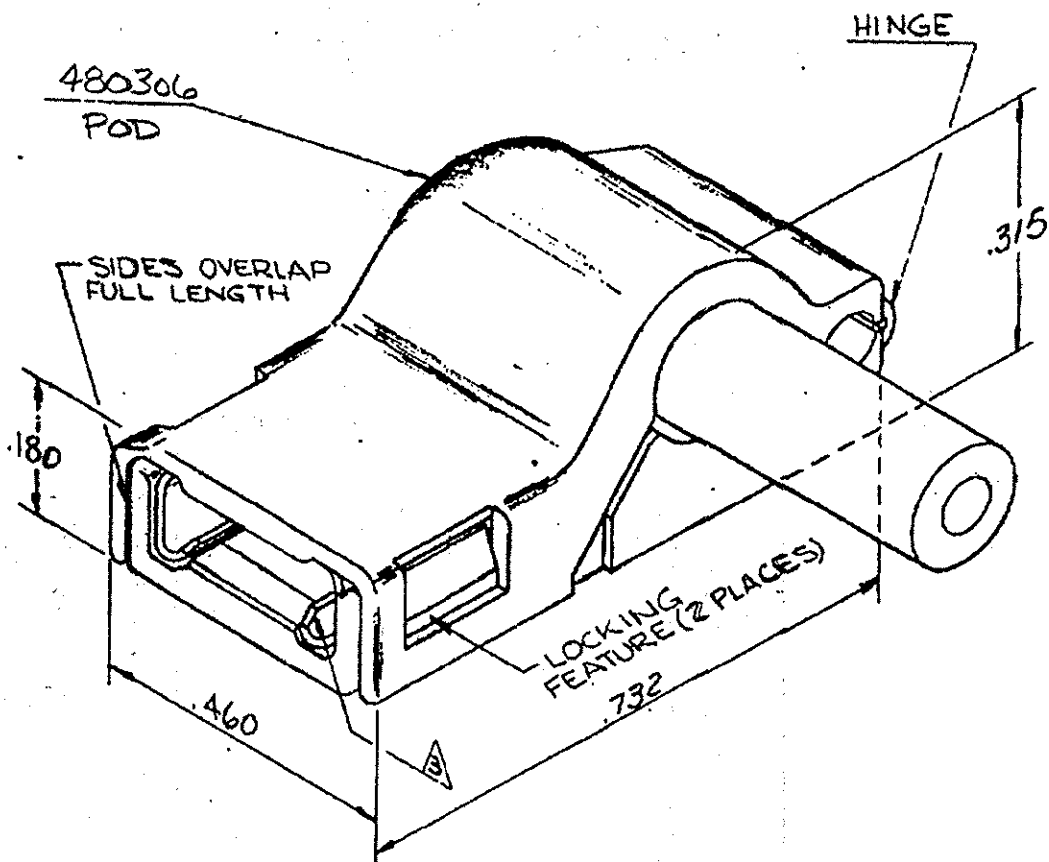
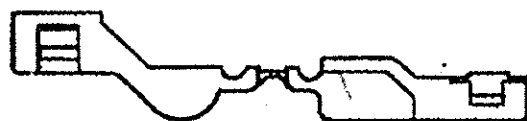
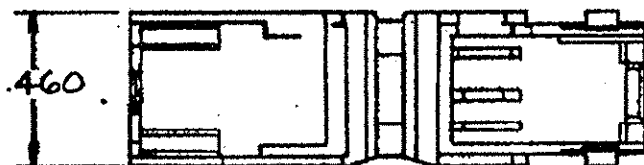
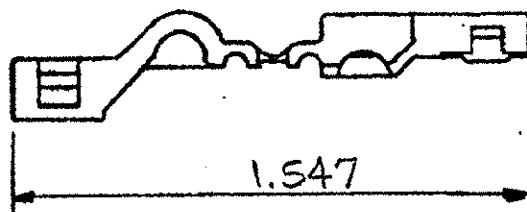


LOC AF DIST 50

REVISIONS

P	LTR	DESCRIPTION	DATE	OWN	APVD
B		REV PER 0G3A-0115-03	10MAR03	JR	PD



1 ACCEPTS .250 SERIES COMMERCIAL FLAG FASTON RECEPTACLE TERMINALS NUMBERS 60290, 60314, 60455, 60923.

2 SEE CP-14251 FOR RECOMMENDED TAB DETAILS FOR TERMINAL 60923, OTHER TERMINALS SEE CP-23587.

3 INSULATION RANGE IS .140 MAX DIA OR TWO AT .110 MAX DIA.

4 PRELIMINARY - NOT FOR PRODUCTION

4	NATURAL	ULTRAMID C3U, V0	1-480306-2
	NATURAL	6/6 NYLON, V2	1-480306-1
	FINISH	MATERIAL	PART NO

THIS DRAWING IS A CONTROLLED DOCUMENT.

DIMENSIONS: INCHES	TOLERANCES UNLESS OTHERWISE SPECIFIED:
	0 PLC ± -
	1 PLC ± -
	2 PLC ± -
	3 PLC ± .015
	4 PLC ± -
	ANGLES ± 1°

MATERIAL SEE TABLE FINISH SEE TABLE

OWN JR RUTH 10MAR03
CHK P DESANTIS 10MAR03
APVD P DESANTIS 10MAR03

tyco Tyco Electronics Corporation
Electronics Harrisburg, PA 17105

PRODUCT SPEC
APPLICATION SPEC
WEIGHT

NAME AMP/PIP - POST INSULATION POD

SIZE A3 CAGE CODE 00779 DRAWING NO C-480306 RESTRICTED TO

CUSTOMER DRAWING SCALE 4:1 SHEET 1 OF 1 REV B

Looking for pricing, stock, or lifecycle information?

Click below to explore more details on WIN SOURCE:

 [View 1-480306-1 on WIN SOURCE](#)

 [TE Connectivity](#) Information

Optimize Your Supply Chain with WIN SOURCE Solutions

-  Global Sourcing Solution
-  Obsolete Management
-  Cost Control Management
-  Shortage Management
-  Alternative Solution
-  Excess Inventory Management