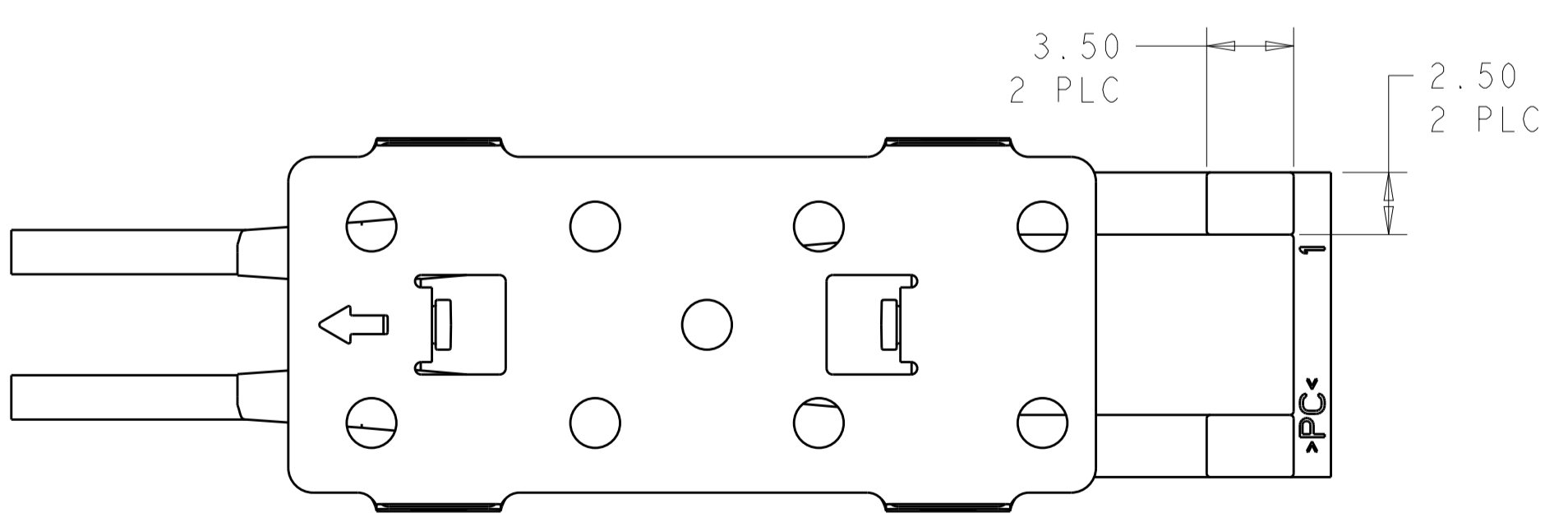
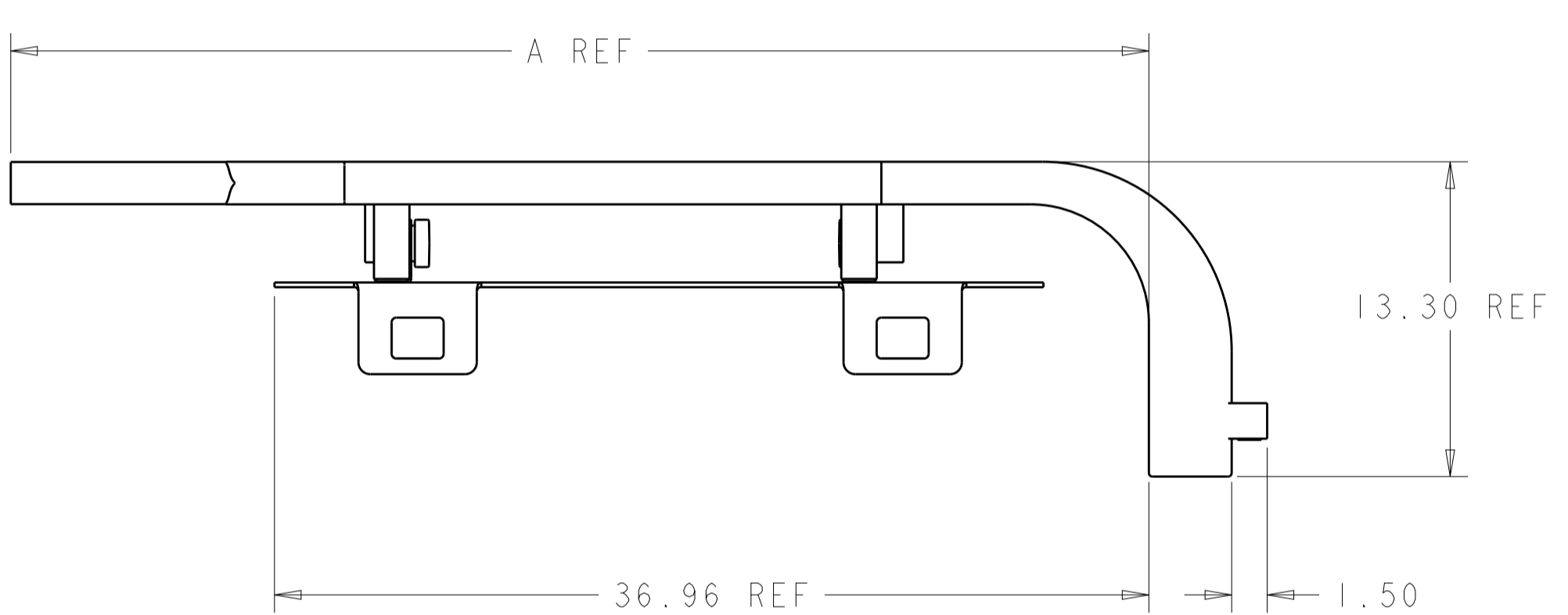
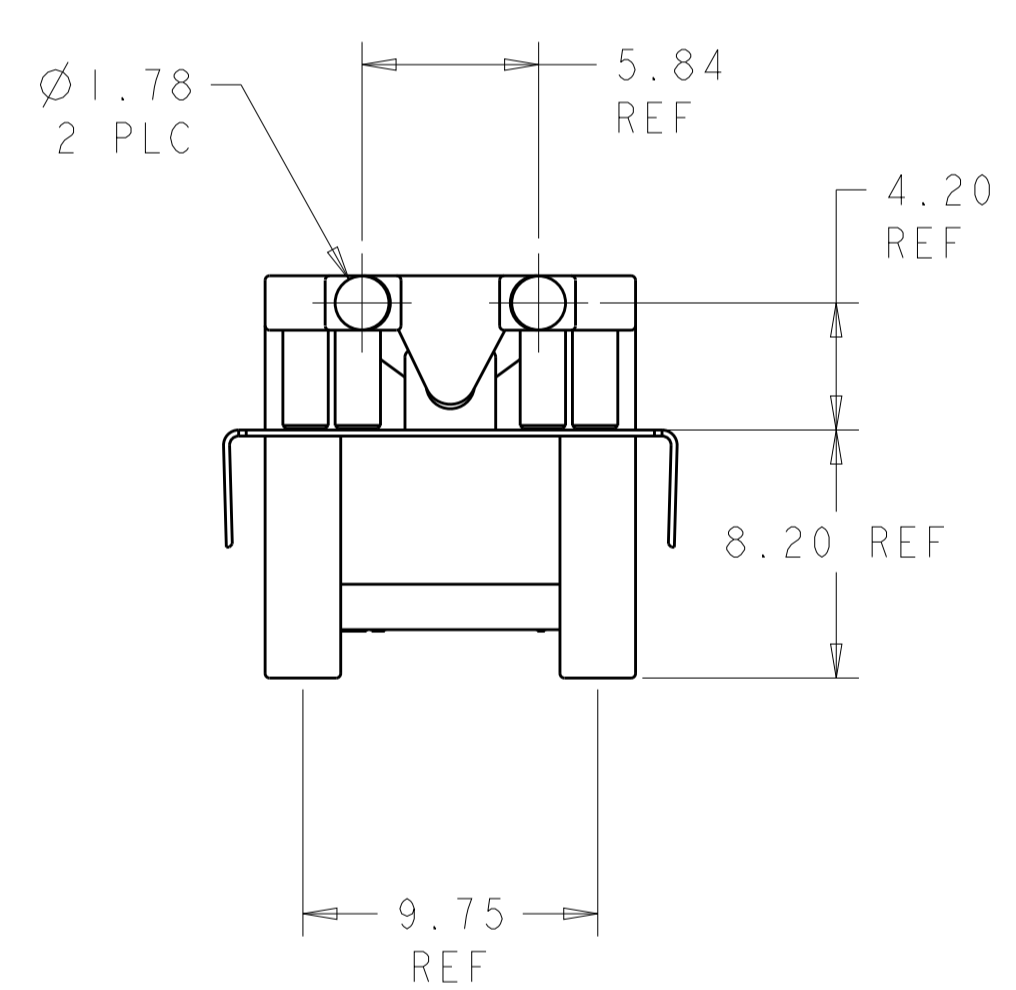
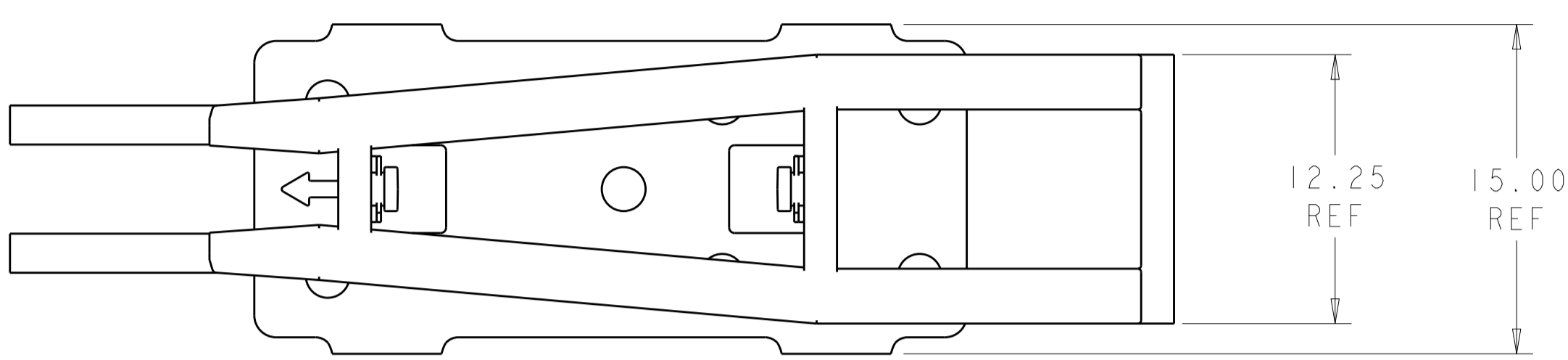
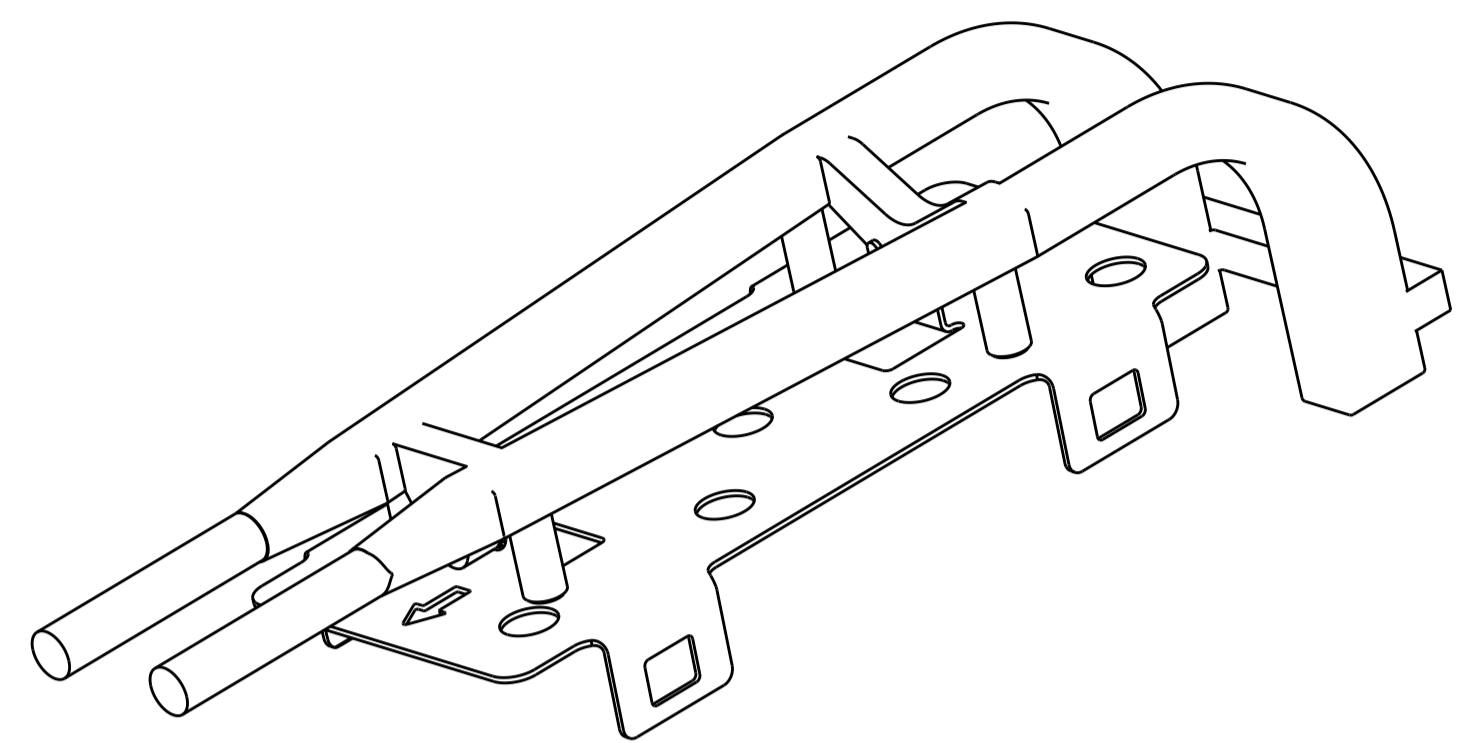




**THE DATASHEET OF**  
**1367627-1**



LOC		DIST		REVISIONS					
ES		00		P	LTN	DESCRIPTION	DATE	DWN	APVD
B						ECO-08-002182	14JAN08	ML	SY
C						REVISED PER ECO-12-003825	17FEB2012	JY	AC
D						REVISED PER ECO-19-001591	31JAN2019	ES	SH



1. MATERIAL:  
 LIGHTPIPE: POLYCARBONATE, CLEAR  
 LIGHTPIPE BRACKET: STAINLESS STEEL.

46.90	1367627-8
47.00	1367627-2
48.10	1367627-1
DIM A	PART NUMBER

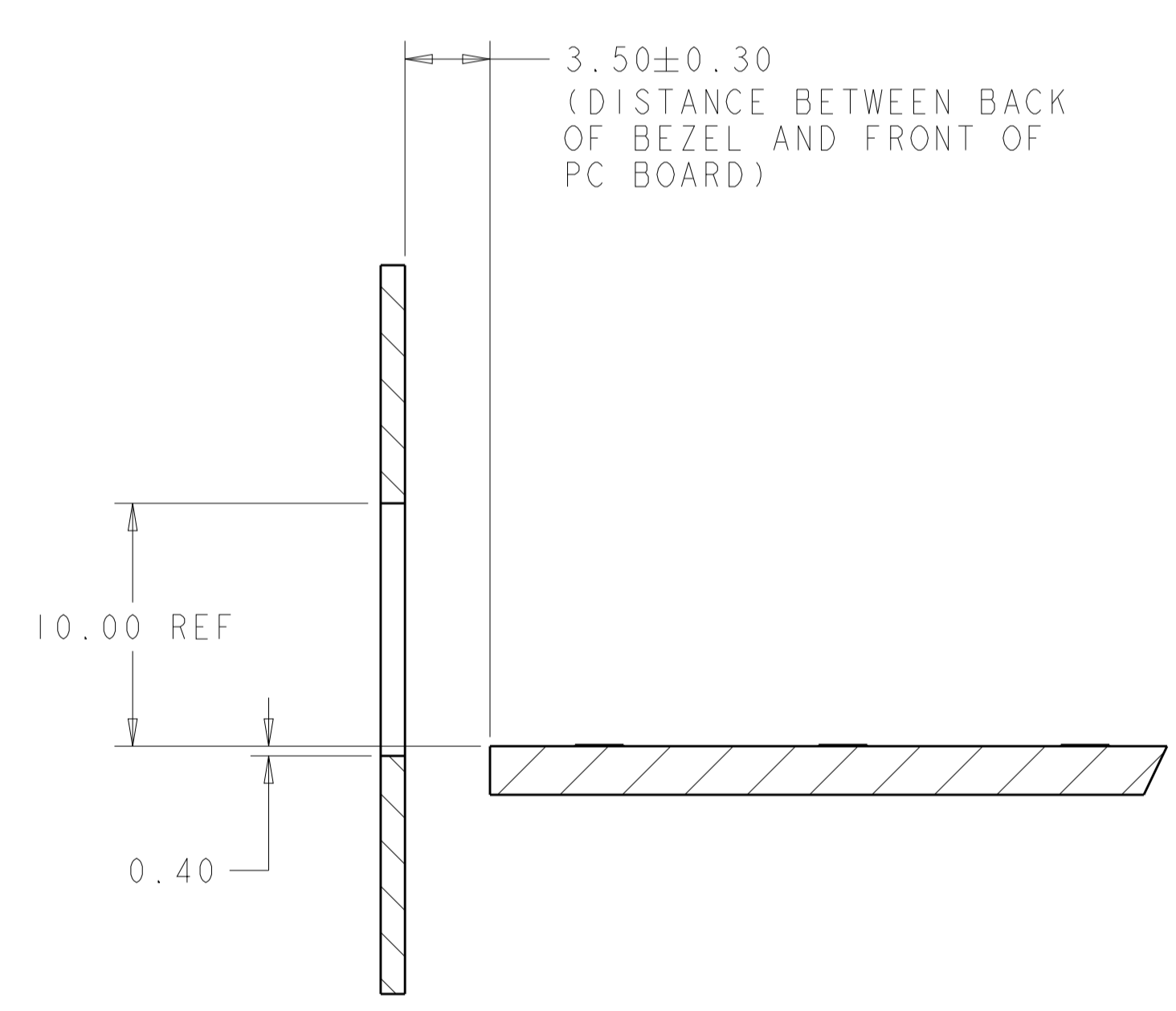
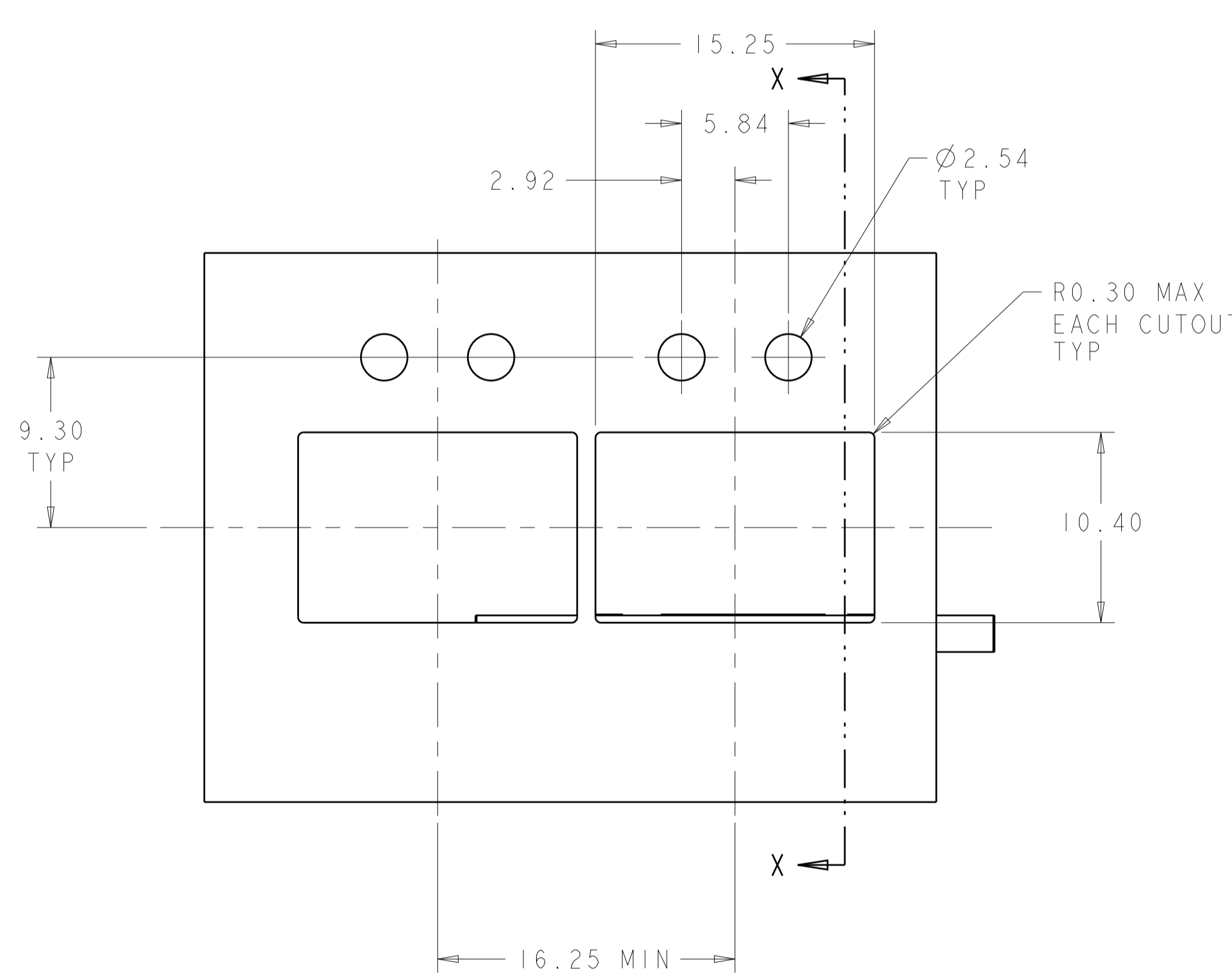
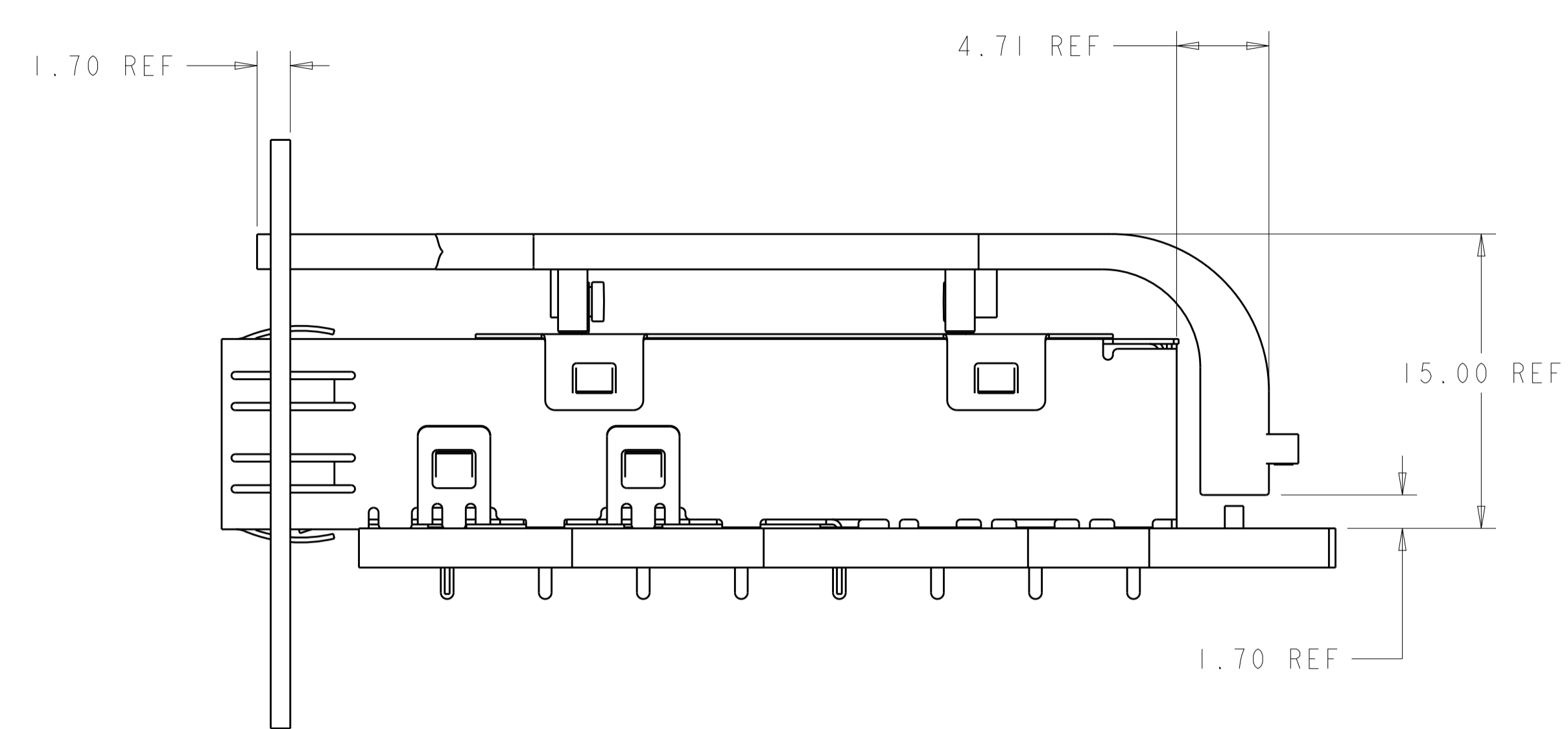
THIS DRAWING IS A CONTROLLED DOCUMENT.		DWN		31JAN2019		ERIC SHI	
DIMENSIONS:		TOLERANCES UNLESS OTHERWISE SPECIFIED:		CHK		31JAN2019	
mm	0 PLC ±	1 PLC ±	2 PLC ±0.10	SEAN HAN		31JAN2019	
	3 PLC ±	4 PLC ±	ANGLES ±	APVD		SEAN HAN 31JAN2019	
MATERIAL	FINISH	WEIGHT		NAME		PRODUCT SPEC	
				SEAN HAN		APPLICATION SPEC	
		CUSTOMER DRAWING		SIZE		CAGE CODE DRAWING NO	
				A1		00779C=1367627	
		SCALE		SHEET		REV	
		2:1		1 OF 3		D	



LIGHT PIPE ASSEMBLY FOR IXI SFP



LOC		DIST		REVISIONS			
P	LTN	DESCRIPTION	DATE	DMN	APVD		
-	-	SEE SHEET 1	-	-	-		



SECTION X-X

RECOMMENDED BEZEL CUTOUT AND PC BOARD-BEZEL POSITION

THIS DRAWING IS A CONTROLLED DOCUMENT.		DMN: ERIC SHI 31JAN2019	TE Connectivity
DIMENSIONS: mm		CHK: SEAN HAN 31JAN2019	
TOLERANCES UNLESS OTHERWISE SPECIFIED:		APVD: SEAN HAN 31JAN2019	NAME: LIGHT PIPE ASSEMBLY FOR IXI SFP
0 PLC ±	1 PLC ±0.10	PRODUCT SPEC	SIZE: A100779
2 PLC ±	3 PLC ±	APPLICATION SPEC	CAGE CODE: C=1367627
4 PLC ±	ANGLES ±	WEIGHT	RESTRICTED TO
MATERIAL	FINISH	CUSTOMER DRAWING	SCALE: 2:1 SHEET 3 OF 3 REV D

## Looking for pricing, stock, or lifecycle information?

Click below to explore more details on WIN SOURCE:

 [View 1367627-1](#) on WIN SOURCE

 [TE Connectivity](#) Information

## Optimize Your Supply Chain with WIN SOURCE Solutions

-  Global Sourcing Solution
-  Obsolete Management
-  Cost Control Management
-  Shortage Management
-  Alternative Solution
-  Excess Inventory Management