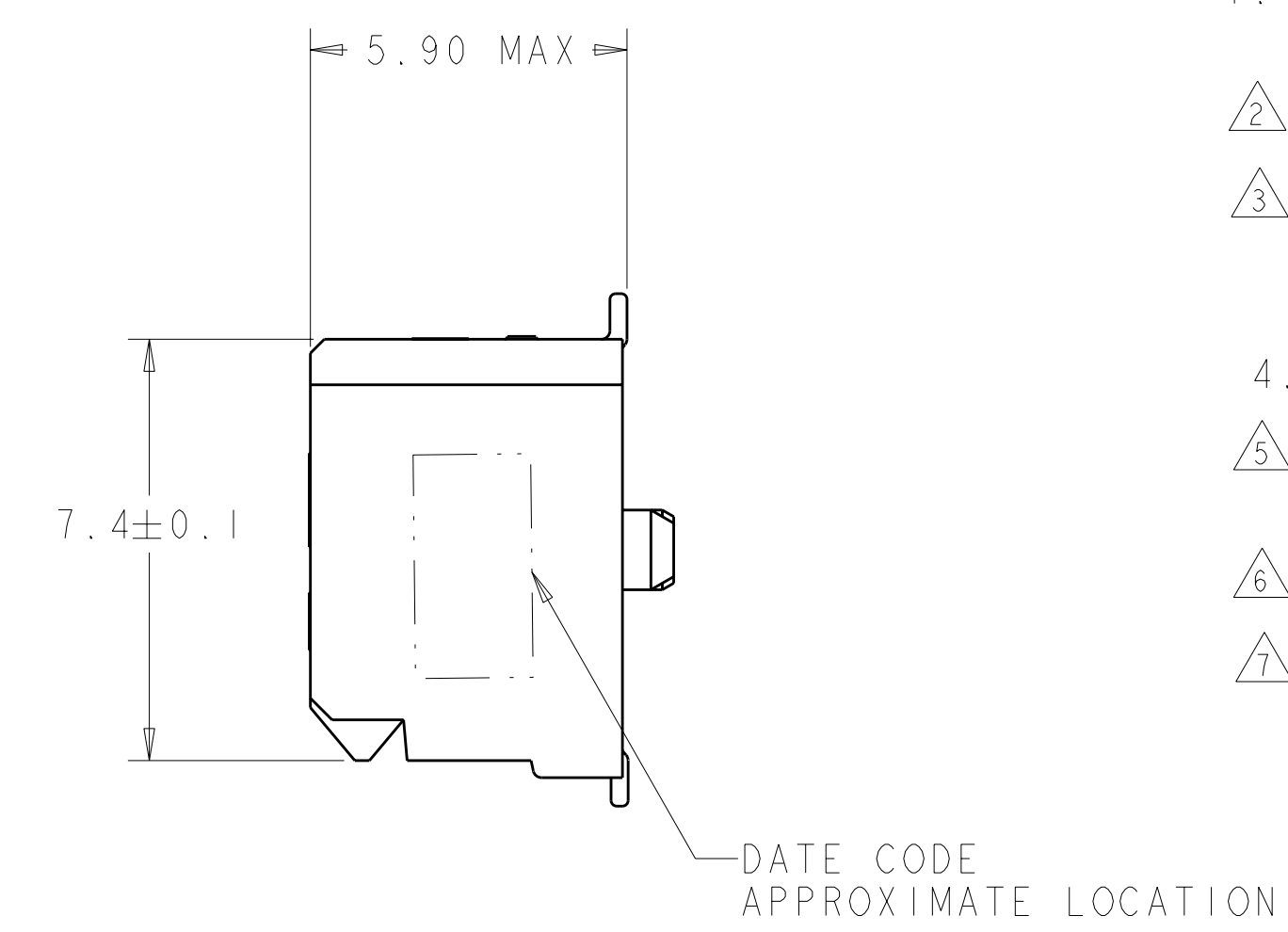
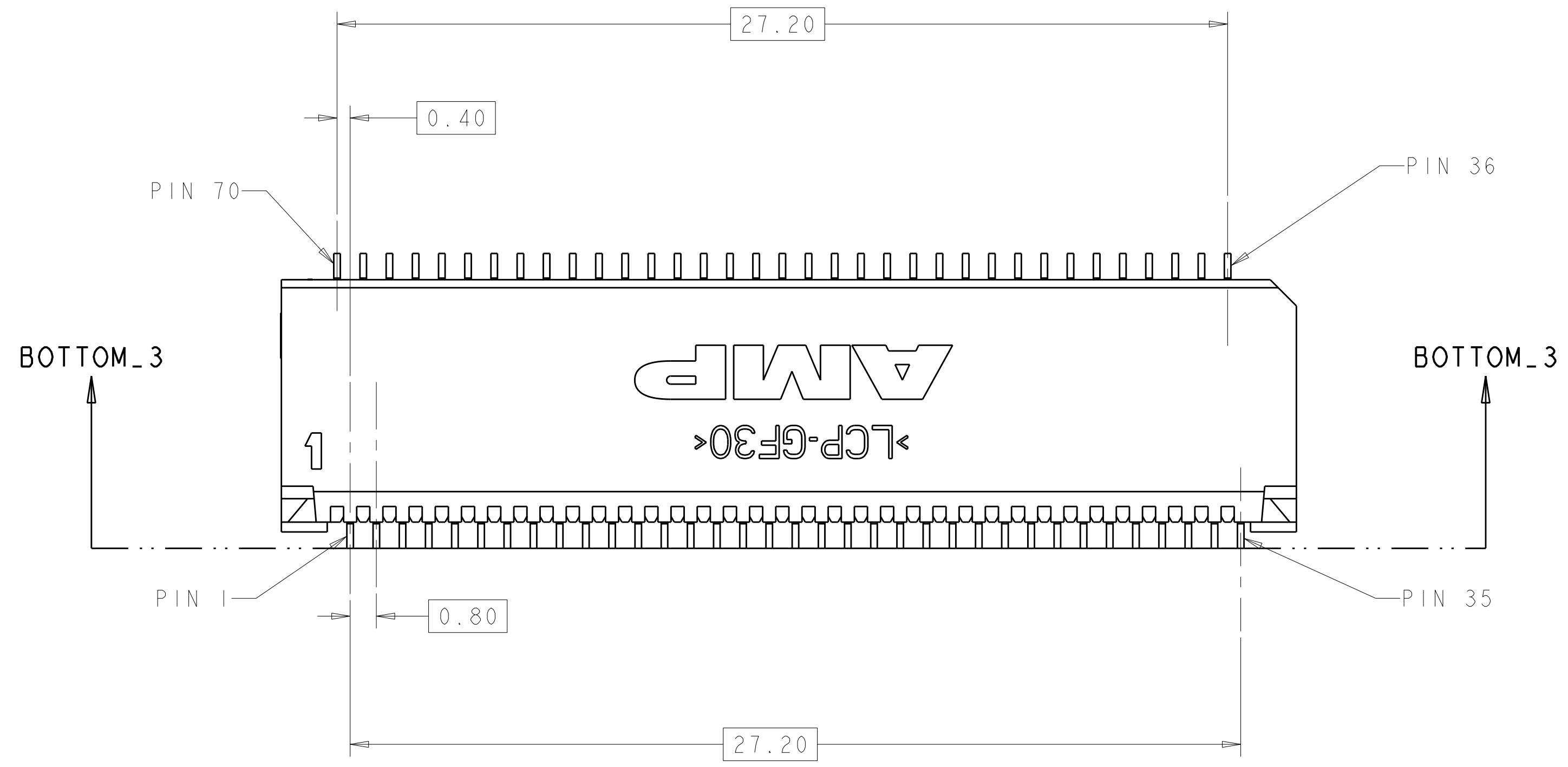




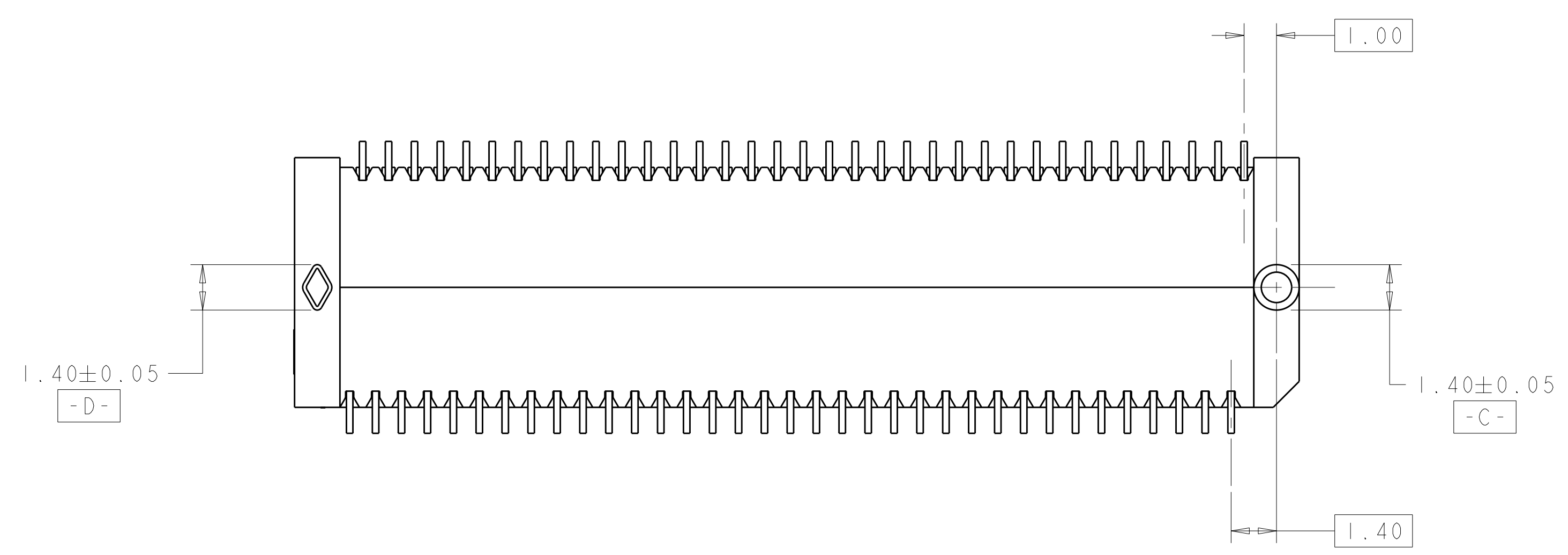
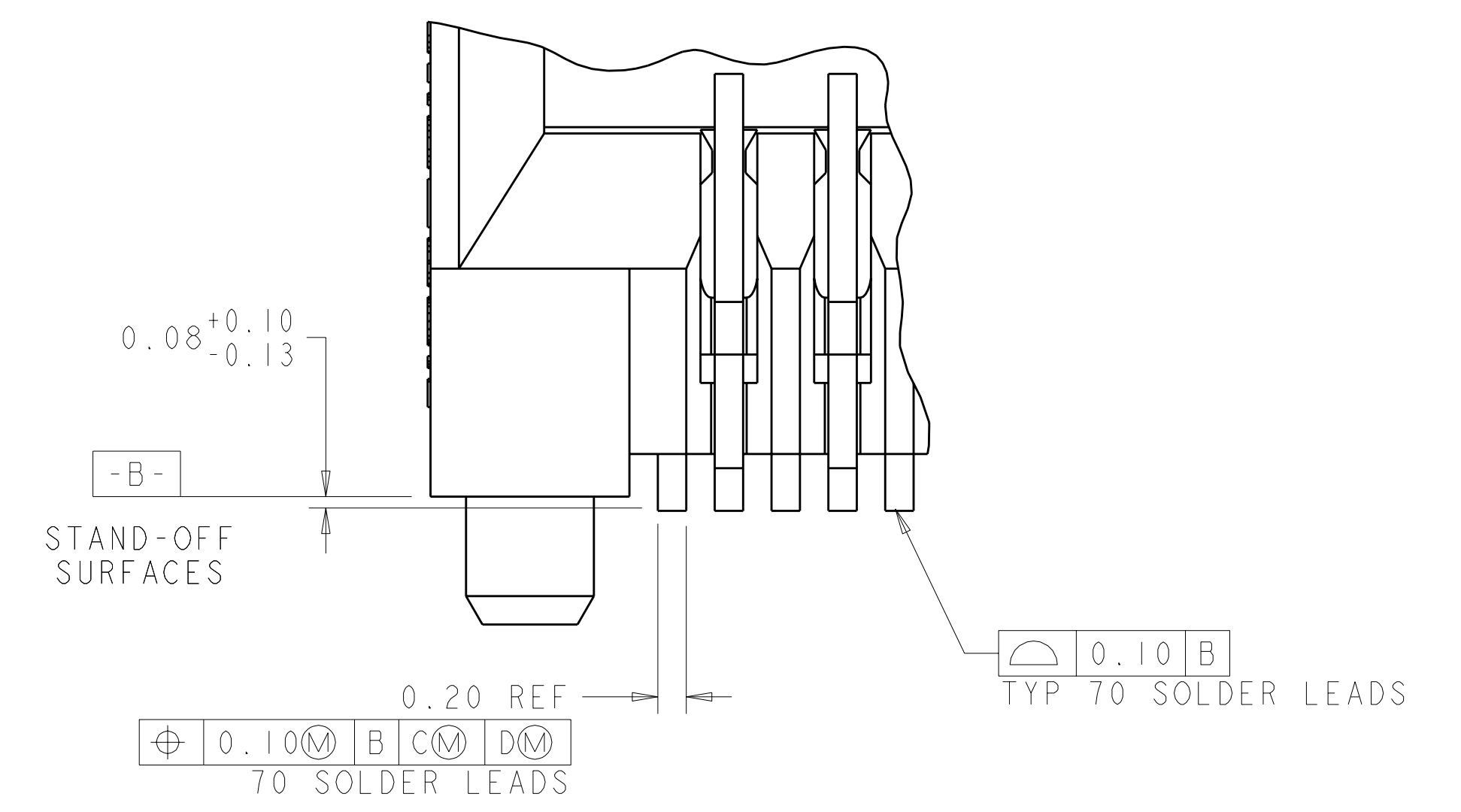
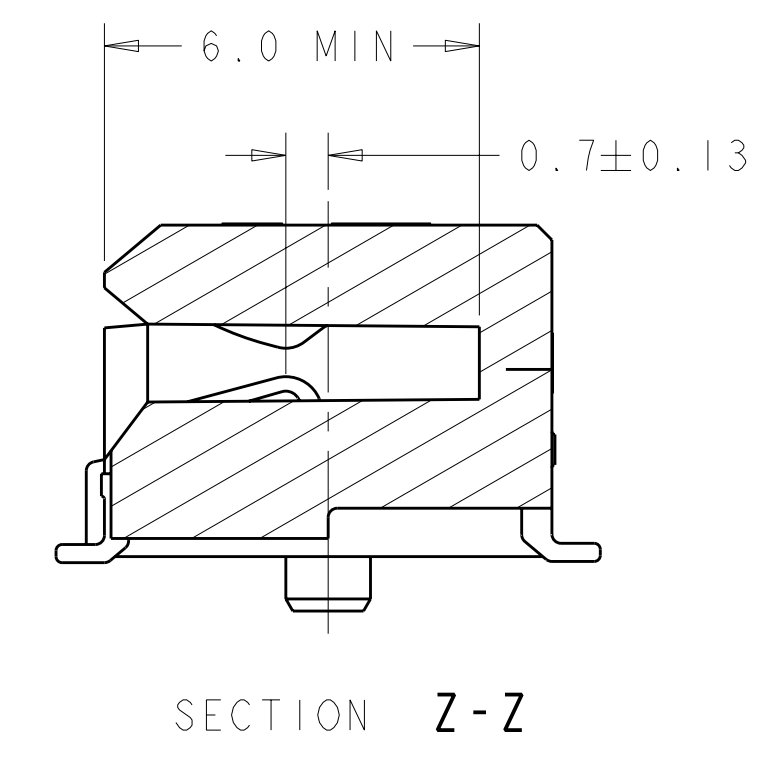
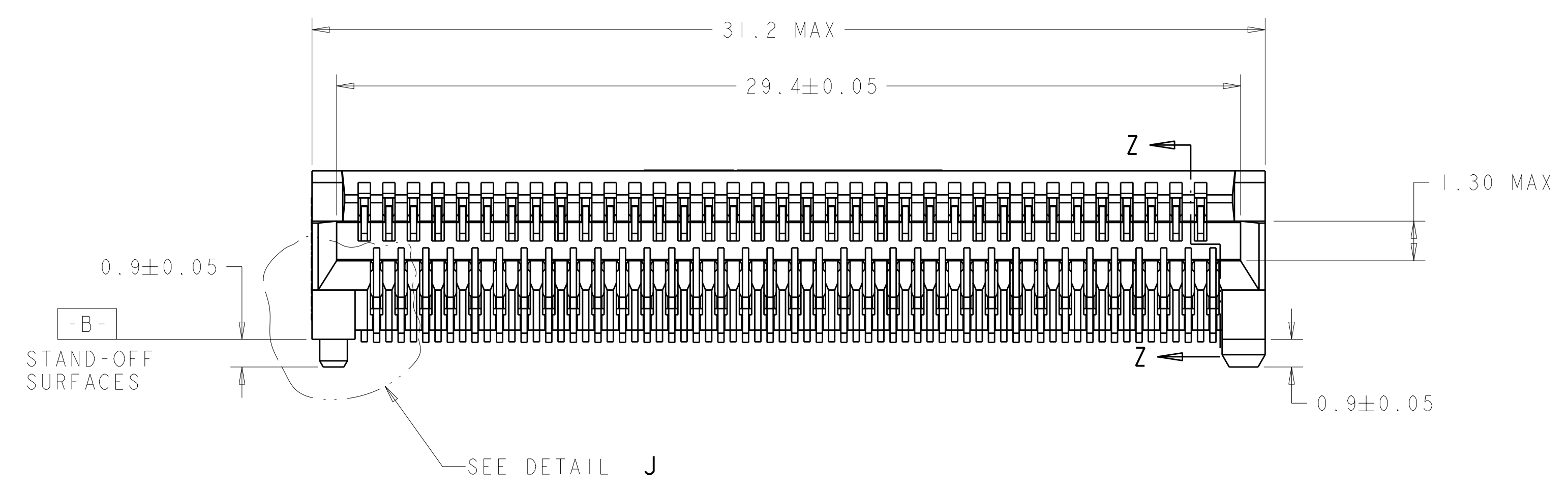
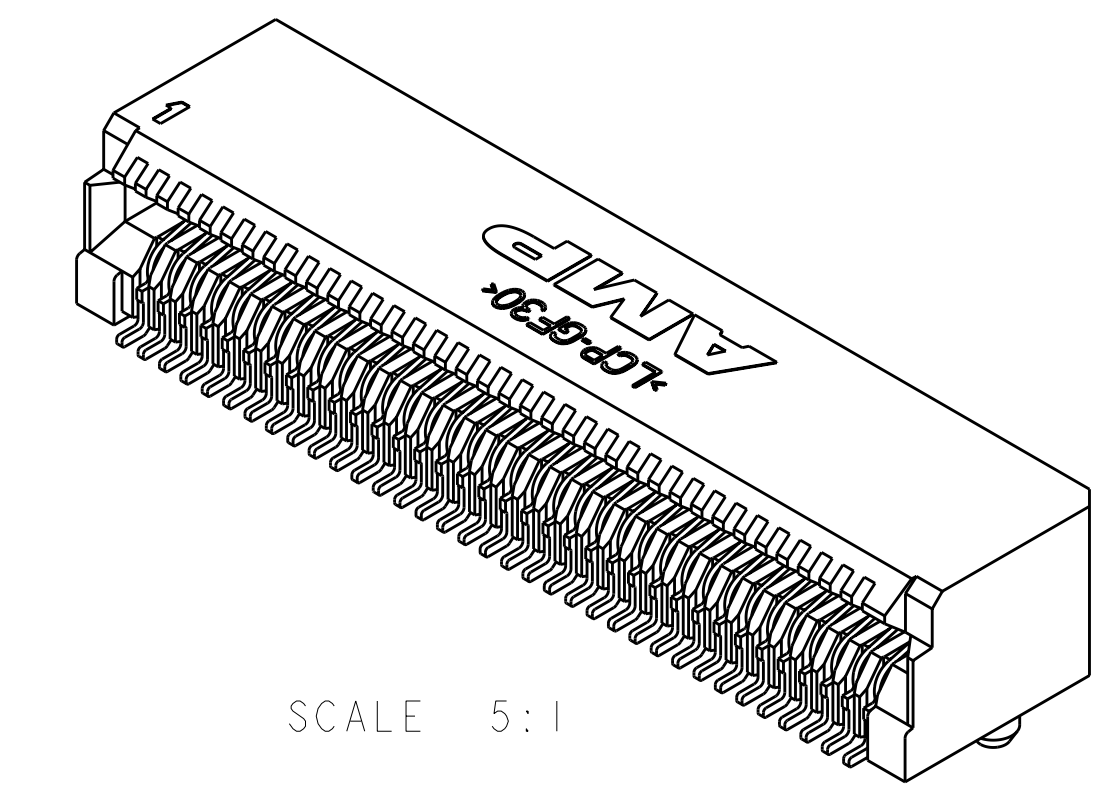
THE DATASHEET OF
1367337-1



LOC	DIST	REV	DATE	BY	APPD
ES	00				
H3		ECR-11-001732	25JAN2011	KS	MO, W
H4		REVISED PER ECR-11-009789	11MAY2011	KS	MO, W



- PART COMPATABLE XENPAK & X2 MSA. REFER TO THESE MSA'S FOR DIMENSIONS NOT SHOWN ON THIS PRINT.
- HOUSING: HIGH TEMPERATURE LCP, UL 94V-0 RATED, BLACK.
- CONTACTS: 0.00038 MIN GOLD IN CONTACT AREA, 0.00013 MIN GOLD ON SOLDER AREA, OVER 0.0038 MIN NICKEL UNDERPLATE ON ENTIRE CONTACT.
- PACKAGED 480 PIECES PER REEL.
- GROUND, POWER AND SIGNAL PAD ARRANGEMENT TO BE DETERMINED BY CUSTOMER.
- DATUMS AND BASIC DIMENSIONS ESTABLISHED BY CUSTOMER.
- CONTACTS: 0.00076 MIN GOLD IN CONTACT AREA, 0.00013 MIN GOLD ON SOLDER AREA, OVER 0.0038 MIN NICKEL UNDERPLATE ON ENTIRE CONTACT.



DETAIL J
SCALE 25:1

YES	△1	1367337-4
YES	△3	1367337-3
NO	△7	1367337-2
NO	△3	1367337-1
DATE CODE	FINISH	PART NUMBER

THIS DRAWING IS A CONTROLLED DOCUMENT.

AWN: D. BROCKWAY 12FEB01
 CH: J. KOPPENHEFFER 08JUN01
 APVD: S. GOOD 08JUN01

TE Connectivity
PT CONNECTOR ASSEMBLY, 70 POSITION, RTANG, 0.8MM

PRODUCT SPEC: 108-1949
 APPLICATION SPEC: 114-13017

SIZE: A100779 CAGE CODE: 1367337
 DRAWING NO: 1367337

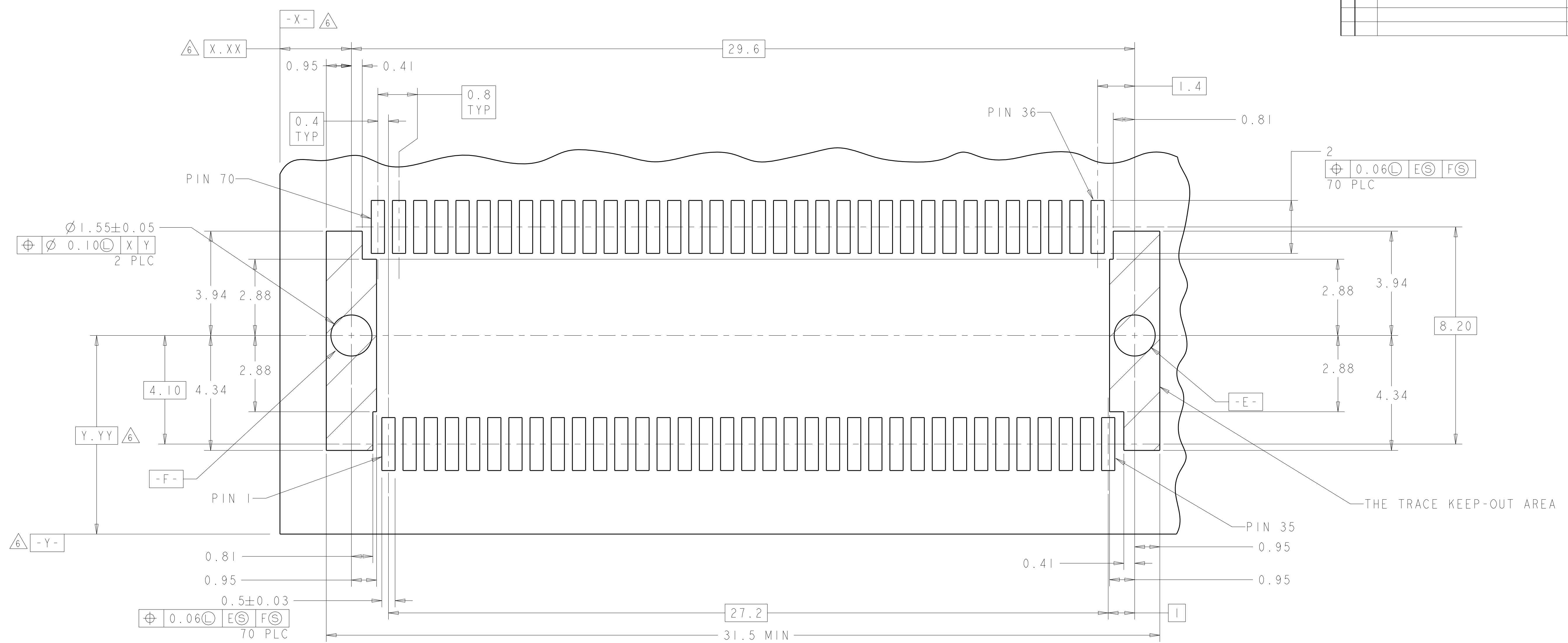
RESTRICTED TO: -
 SCALE: 8:1 SHEET: 1 OF 2 REV: H4

SEE TABLE

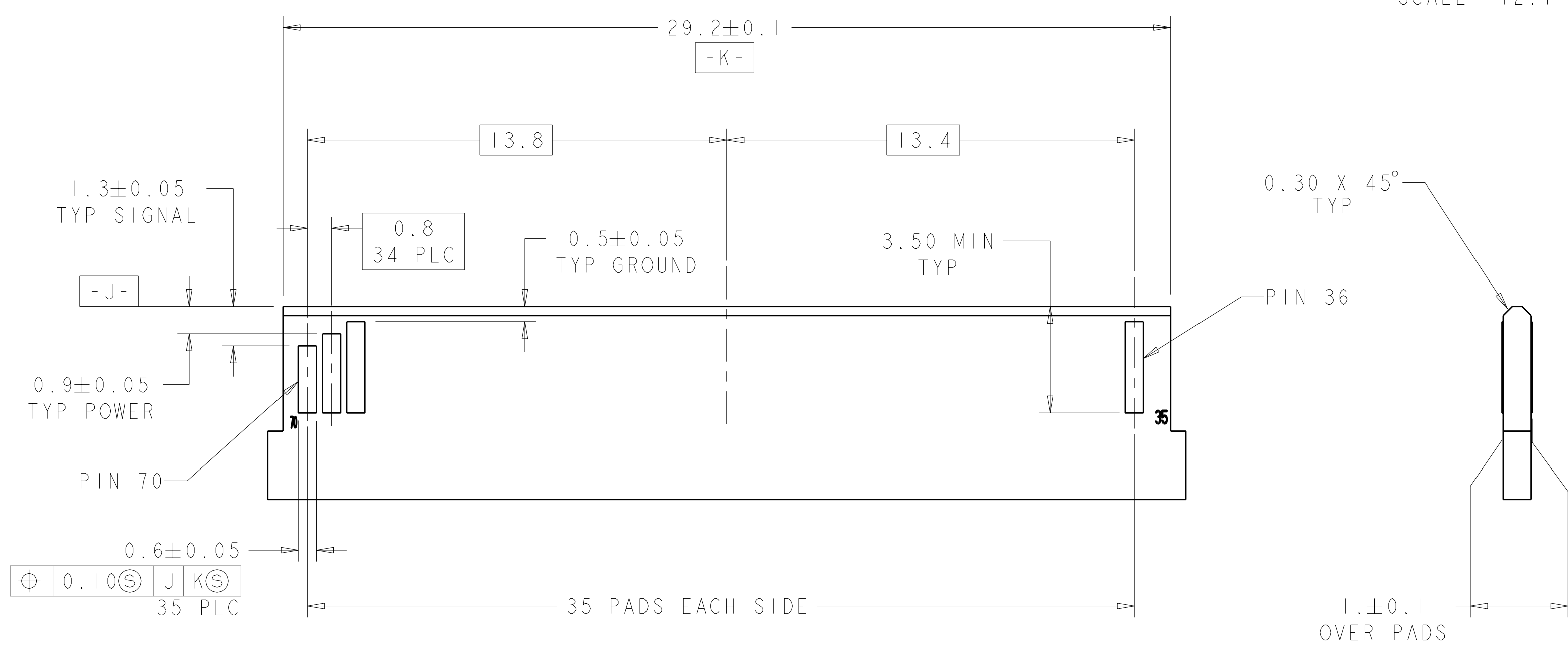
CUSTOMER DRAWING

LOC	DIST	REV	DATE	BY	APPROV
ES	00				

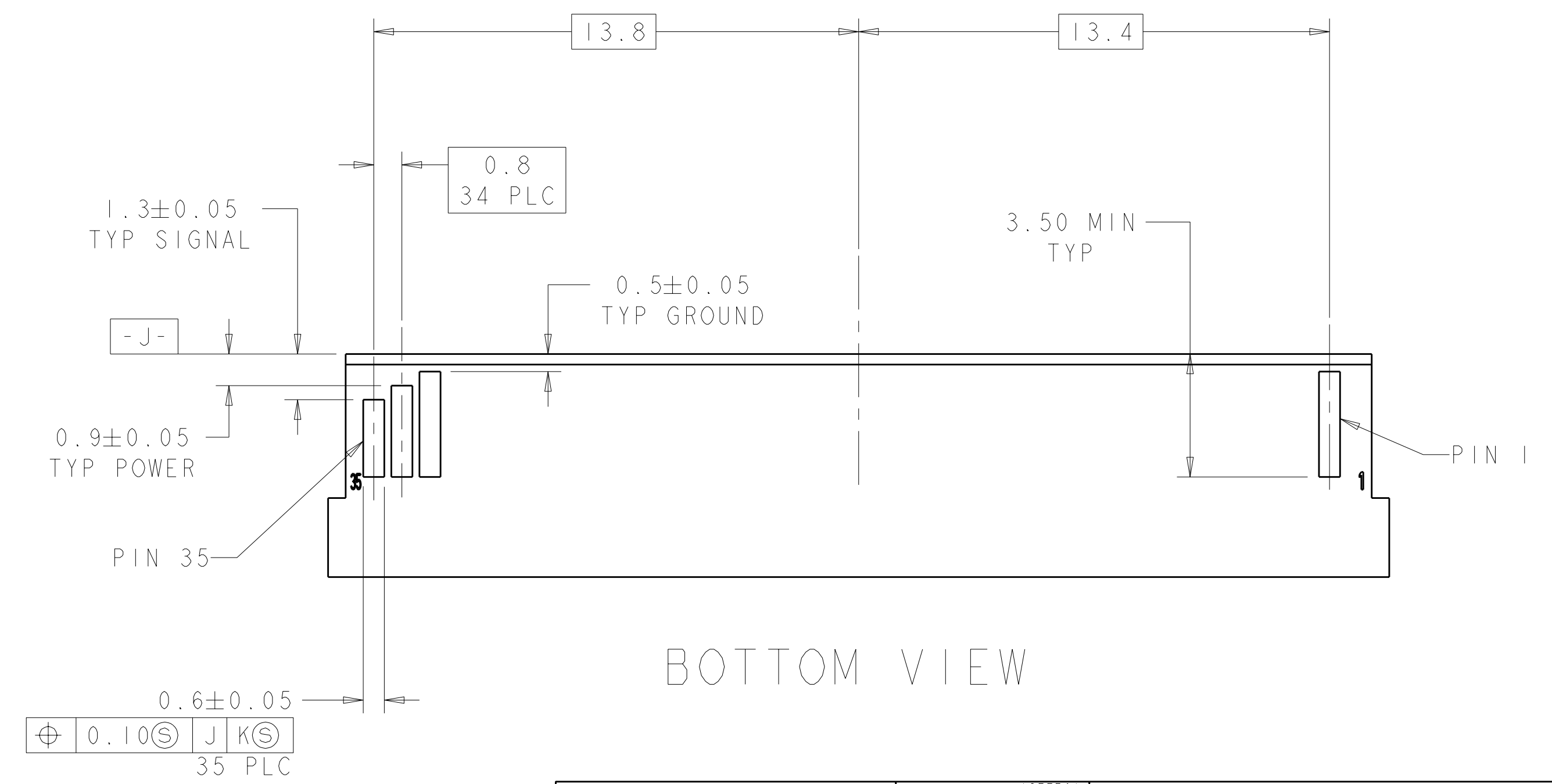
REVISIONS		DATE	BY	APPROV
1	SEE SHEET 1			



RECOMMENDED PCB LAYOUT DETAIL
 CONNECTOR MOUNTING SIDE
 SCALE 12:1



TOP VIEW



BOTTOM VIEW

RECOMMENDED LAYOUT DETAIL
 MATING PCB

THIS DRAWING IS A CONTROLLED DOCUMENT.		DWN: D. BROCKWAY 12FEB01		REV: 00	
DIMENSIONS: mm		CHK: J. KOPPENHEFFER 08JUN01		APVD: S. GOOD 08JUN01	
TOLERANCES UNLESS OTHERWISE SPECIFIED:		PRODUCT SPEC		NAME	
9 PLC ±		108-1949		PT CONNECTOR ASSEMBLY, 70 POSITION, RTANG, 0.8MM	
3 PLC ±0.10		APPLICATION SPEC		SIZE: CAGE CODE: DRAWING NO:	
5 PLC ±		114-13017		A100779C-1367337	
4 PLC ±		WEIGHT		RESTRICTED TO:	
ANGLES ±		CUSTOMER DRAWING		SCALE: 8:1 SHEET 2 OF 2 REV: H4	
MATERIAL: SEE TABLE		FINISH			

Looking for pricing, stock, or lifecycle information?

Click below to explore more details on WIN SOURCE:

 [View 1367337-1 on WIN SOURCE](#)

 [TE Connectivity](#) Information

Optimize Your Supply Chain with WIN SOURCE Solutions

-  Global Sourcing Solution
-  Obsolete Management
-  Cost Control Management
-  Shortage Management
-  Alternative Solution
-  Excess Inventory Management