



**THE DATASHEET OF
VG95234J1321S1N**





ITT

Interconnect Solutions
Canon, VEAM, BIW

Defining **innovative**
aviation, military, and
industrial circulars since the DC-1,
over **70 years** ago



Engineered for life

Cannon VG/CA-Bayonet



Introduction

Cannon CA-Bayonet series was designed in accordance with the VG95234 specification. This versatile and highly reliable connector series is an improvement on the well established MIL-C-5015 series. CA-Bayonet has a proven "reverse bayonet" coupling design that offers exceptional vibration protection, by a simple 120° turn.

Circular

Initially designed for aircraft and airborne applications, these rugged connectors are used in the electrical equipment of various off-road vehicles, construction machinery, industrial devices, railroad and military wheelers.

Connectors in accordance with VG95234 are interchangeable with the corresponding MIL-C-5015 connectors. Both connector lines feature the same shell dimensions and contacts layouts. However, due to the different coupling systems (MIL-C-5015 threaded coupling, VG95234 bayonet coupling) they are not interchangeable.

Advantages

- rugged shell design
- environmental
- bayonet coupling for easy mating and unmating
- vibration proof
- waterproof up to 1 bar (35 feet of water)

Cannon has the complete VG95234 program available and, in addition, many other types which exceed the requirements of VG95234 and MIL-C-5015.

Attention:

Metal shell connectors which may be touched are not suitable for mains power.

Restrictions:

- * European Community "Old Car" directive (2000/53/EG)
- * European Community Waste Electrical and Electronic Equipment (WEEE) 2000/0158
- * European Community restrictions of use of certain hazardous substances in WEEE (ROS) (2000/0159)

Connector Design

Due to the rugged shell made of an aluminium alloy, these connectors withstand most severe conditions. Olive drab chromate coating over cadmium plating protects the surface of the shell.

Cannon offers two plating solutions to customers refusing cadmium plating. Zinc cobalt green offers similar properties like cadmium plating while zinc cobalt black is RoHS compliant.

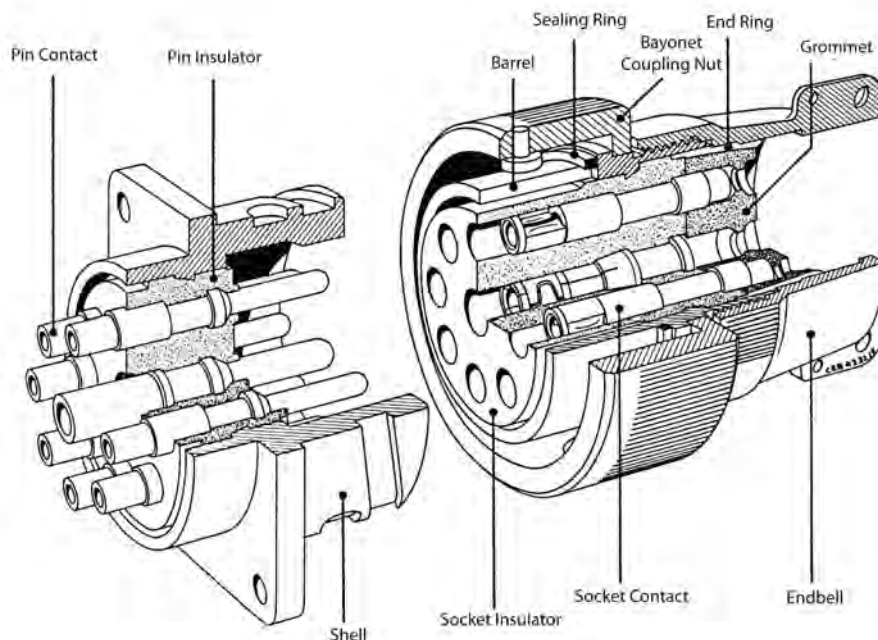
Over 180 contact arrangements are available for 1 to 65 circuits and up to 245 A per unit.

The insulators are made of high quality polychloroprene and withstand temperatures from -67°/+257°F (-55/125°C). This material is self-extinguishing, resistant against hydraulic fluids, jet fuel, diesel fuel, gasolines, lubricants, brake and fire extinguisher fluids (short wetting only). In case of lifetime moistening ITT Cannon offers FKM insulators as an alternative.

The contacts are made of copper alloy plated with a hard silver finish guarantee at least 500 mating cycles. There are solder, crimp and PCB contacts in place. The crimp contacts offer a comprehensive range of termination reductions. All solder contacts feature a special passivation to comply with ROHS requirements. The crimp contacts allow highly reliable crimping with wires when using the recommended tools according to VG95234. Crimp contacts can be exchanged at least five times still preserving specified contact retention.

The coupling unit is featured by the Cannon roller bolts made of stainless steel actually rolling down the mating ramps, thus reducing coupling force by the operator. In addition, the Cannon design employs two coupling nut versions for different application cases, with and without wavespring and washer. The version without wavespring guarantees perfect sealing while the other version stands up to high vibration levels. The bayonet design allows fast and easy coupling and uncoupling. An audible control by metallic sound and visual control by colour-marked snap-in position offer additional coupling security.

VG connectors are basically designed for single wire harnessing. For full environmental sealing each conductor is sealed completely within the grommet. However, Cannon offers as an alternative O-ring sealed PG and metric gland adaptors for faster harnessing standing up to the same sealing level than the VG types.



Dimensions shown in inches (mm)
Specifications and dimensions subject to change

www.ittcannon.com

Cannon VG/CA-Bayonet

Electrical Data



A

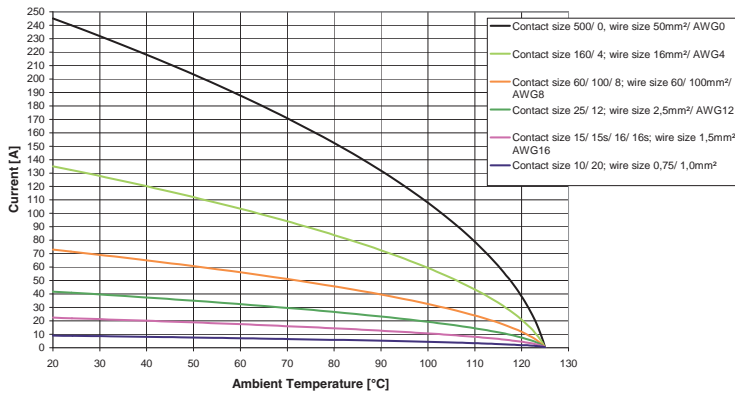
Circular

Contact rating at 68 °F (+20 °C)

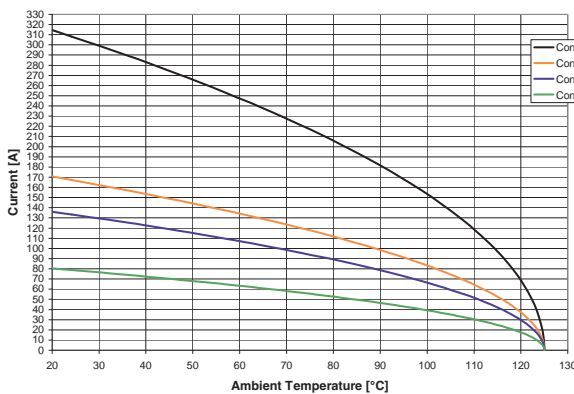
| Contact size | max. current A |
|--------------|-------------------|
| 10 | 8 |
| 16S/15S | 22 |
| 16/15 | 22 |
| 12/25 | 41 |
| 8/60/100 | 74 |
| 4/160 | 135 |
| 0/500 | 245 |

Current rating depending on ambient temperature

Derating Curves according to VG 95234



Derating Curves ITT-Cannon



Contact resistance (Millivolt test)

The contact resistance has to be tested according to VG95234 part 2, test no. 5.10.1 and VG 95210, part 37. The measuring points are indicated in the illustration.

| --Contact size | | Max. contact resistance mΩ |
|----------------|--------|-------------------------------|
| metric | AWG | |
| 10 | - | 12 |
| 15S/15 | 16S/16 | 6 |
| 25 | 12 | 3 |
| 60/100 | 8 | 1 |
| 160 | 4 | 0,5 |
| 500 | 0 | 0,2 |

Insulation resistance

Acc. to VG95319, part 2, test no. 5.12 and VG95210, part 32, test condition B

Standard insulator material > 1000 MΩ
FKM insulator material (upon request) > 5000 MΩ

Test voltage

Acc. to VG95319, part 2, test no. 5.13 and VG 95210, part 31
Test voltage for service rating:

| Service rating | Test voltage V _{rms} |
|----------------|-------------------------------|
| Instruments | 1050 |
| A | 1600 |
| B | 4000 |
| D | 2500 |
| E | 3000 |

Air and creepage paths (min.)

| Voltage class | Instr. | A | D | E |
|---------------------------|--------|-----|-----|-----|
| Air and creepage paths mm | 0,7 | 1,1 | 2,8 | 4,8 |

Operating voltage and connector usage

Connectors in equipments must not be separated or mated under load when used per specifications.

As according to specification the connectors are suitable for an operating voltage of 50 V (see Product Safety Information). However, this is only valid, when the connectors are freely accessible during operation and consequently might be touchable. When the connectors will be operated with line voltage, please contact ITT Customer Service for an alternative connector solution.

Dimensions shown in inches (mm)
Specifications and dimensions subject to change

www.ittcannon.com



Cannon VG/CA-Bayonet



Mechanical Features

A
Circular

Ambient temperature

Standard insulator material
-55°/125°C (-67/257°F)

FKM insulator material*
-30°/200°C (-22/392°F)

Safety provisions**

IP 67 acc. to DIN 40 050
(1 bar pressure after 16 hrs.)

Vibration test

200 m/s² at 10 to 2000 Hz

Mating cycles

500 min.

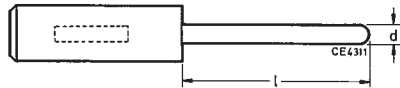
Withdrawal force per contact.

The corresponding withdrawal force has to be measured according to VG95319, part 2, test no. 5.7. and DIN EN60512-16-5 using the required test gage.

| Contact size metric | AWG | Separating force min. N | Gage |
|---------------------|--------|-------------------------|--------|
| 10 | - | 0,3 | G 0,99 |
| 15S/15 | 16S/16 | 1,0 | G 1,56 |
| 25 | 12 | 1,5 | G 2,36 |
| 60/100 | 8 | 3,0 | G 3,58 |
| 160 | 4 | 4,0 | G 5,69 |
| 500 | 0 | 8,5 | G 9,04 |

Gage

(see also VG 95234, Part 1)



| Gage | Contact diameter d +0,01 | L -1 |
|--------|--------------------------|------|
| G 0,99 | 0,99 | 7 |
| G 1,56 | 1,56 | 9 |
| G 2,36 | 2,36 | 12 |
| G 3,58 | 3,58 | 13 |
| G 5,69 | 5,69 | 13 |
| G 9,04 | 9,04 | 13 |

Coupling torque

The allowable coupling torques have to be tested under full bundle conditions of the connectors to VG95319, part 2, test no. 5.8.2.

| Shell size | Allowable coupling torque closing and opening Nm max. | Opening Nm min. |
|------------|---|-----------------|
| 10SL | 1,7 | 0,15 |
| 12S | 2,5 | 0,23 |
| 14S | 3,6 | 0,35 |
| 16S/16 | 5,5 | 0,46 |
| 18 | 8 | 0,58 |
| 20 | 9 | 0,7 |
| 22 | 11 | 0,8 |
| 24 | 14 | 0,8 |
| 28 | 17 | 0,92 |
| 32 | 19 | 1,03 |
| 36 | 23 | 1,03 |

Contact retention

The contact retention has to be tested according to VG95319, part 2, test no. 5.4. Test force direction = Mating direction.

| Contact size | AWG | Test force N |
|--------------|--------|--------------|
| 10 | - | 30 |
| 15S/15 | 16S/16 | 35 |
| 25 | 12 | 55 |
| 60/100 | 8 | 80 |
| 160 | 4 | 90 |
| 500 | 0 | 95 |

Materials

| | |
|-------------------------------|--|
| Shell | Aluminum alloy |
| Standard finish | Olive drab chromate coating over cadmium plating |
| Alternative finish | Zinc cobalt (see page A-134 Modification) |
| Insulator and grommets | Polychloroprene (Standard) FKM (High temperature and aggressive oils)* |
| Contacts | Copper alloy |
| Standard finish | Hard silver |
| Special finish | A176 nickel and hard gold plating |

* upon request

** **Longitudinal sealing:** The connector is not sealed against fluids entering through the cable, as the sealing lips of the single wire sealing are pressing against the jacket of the individual conductors.



Dimensions shown in inches (mm)
Specifications and dimensions subject to change

www.ittcannon.com

Cannon VG/CA-Bayonet

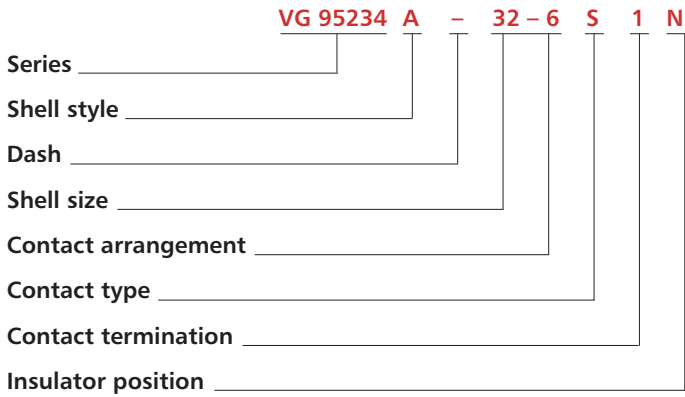
How to order



A

Circular

VG Order reference



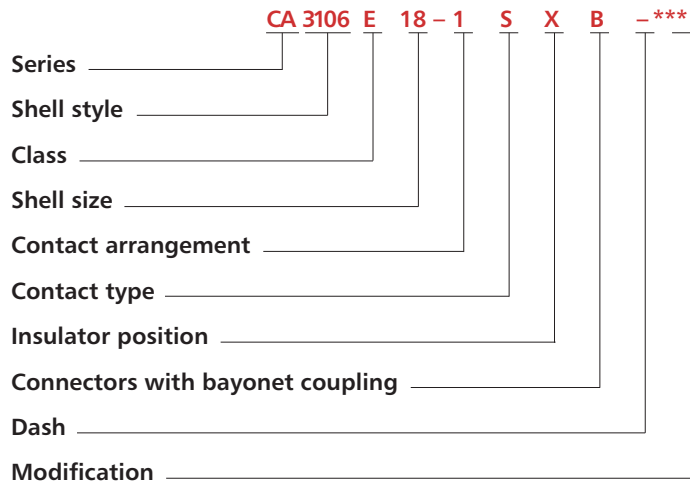
Explanation

- Series** VG 95234
- Shell style** N1, N2 – wall mounting receptacle
A, B1, B2 – box mounting receptacle
D, G, H, M – straight plug
- Shell size** 10SL, 14S, 16S, 16, 18, 20, 22, 24, 28, 32 and 36
- Contact arrangement** see pages A-135 and A-136
- Contact type** P – Pin contact
S – Socket contact
- Contact termination** without identification – contacts for metric wire sizes
identification 1* – contact for AWG wire sizes
- Insulator position** See CA-Bayonet Catalog

Accessories acc. to VG

- Dummy receptacles VG95234 BOD
Gaskets, front mount VG95234 DA
Gaskets, rear mount VG95234 DH
Protecting caps VG95234 KR
Protecting caps VG95234 KB
Cabel caps VG95234 KK
Bushing VG95234 KT

Cannon Order reference



Explanation

- Series** CA – Circular connectors with bayonet coupling
- Shell style** 3100 – Wall mounting receptacle
3101 – Cable connecting plug
3102 – Box mounting receptacle
3105 – Dummy receptacle for front and panel mounting
3106 – Plug, straight
3108 – Plug, 90°
TBF – Bulkhead receptacle
- Class** E – environmental with resilient insulators and endbell with clamp and bushing
F – environmental with resilient insulator and endbell for flex tube
R – environmental with resilient insulator and shortened light-weight endbell without cable clamp
- Shell size** 10SL, 12S, 14S, 16S, 16, 18, 20, 22, 24, 28, 32 and 36
- Contact arrangement** See 5015 section plus full CA-B catalog
- Contact type** P – Pin
S – Socket
PS – one side pin, one side socket (only for TBF)
- Insulator position** Besides the normal position further insulator positions are possible for Cannon connectors (see CA-Bayonet Catalog) to prevent mismatching. Polarization is achieved by turning the pin contact insulator clockwise towards the shell, the socket insulator, however, in opposite clockwise direction. This information refers to the mating side of the contact insulator.
- Modification** see next page A-134

Dimensions shown in inches (mm)
Specifications and dimensions subject to change



Cannon VG/CA-Bayonet



A

Circular

| | | |
|----------------------|------|--|
| Modification | 01 | – metric crimp contacts |
| (only for CA.....-B) | 02 | – adapter for heat shrink boots AWG crimp contacts |
| | 03 | – adapter for heat shrink boots, metric contacts |
| | 04 | – rear mount, thread in flange, metric crimp contacts (CA3102) |
| | 05 | – rear mount, through holes in flange, (CA3100, CA 3102, CA 20, TBF) |
| | 06 | – shrink boot adapter, thread holes in flange, solder pot contacts |
| | 08 | – angular endbell, through holes in flange (for CA3100 only) |
| | 09 | – angular endbell, through holes in flange (for CA3100 only) |
| | 13 | – shielded version, solder contacts |
| | 14 | – shielded version, metric crimp con- tacts |
| | 15 | – shielded version, AWG crimp contacts |
| | 41 | – shielded version, heat shrink boot adapter |
| | 109 | – rear mount, F80 contacts, threaded holes (CA3102 only) |
| | 111 | – rear mount, solder pot contacts, threaded holes, (CA3102 only) |
| | A176 | – gold plated contacts |
| | A232 | – Zinc cobalt black |
| | A233 | – Zinc cobalt green |
| | F0 | – less contacts, contacts to be ordered separately see pages A-146, A147 |
| | F42 | – less grommet and backshell |
| | F80 | – AWG crimp contacts |

With Spring Washer and Friction Ring

These connectors feature a spring washer and a friction ring under the coupling nut.

| | |
|------------------|---|
| Advantage | Vibrations are being compensated |
| Ordering example | according performance class insert „W“ after Class E, F or R |
| CA06EW | – connector with spring washer, endbell with cable and bushing |
| CA06FW | – connector with spring washer, endbell for flex tube |
| CA06RW | – connector with spring washer and short endbell |
| CA08EW/FW | – connector with spring washer and 90° endbell |

The connectors acc. to **VG95234** are generally delivered **with spring washer**.

Other Shell Styles (see full CA-B catalog)

| | |
|--------------------|---|
| CA3100E-B-02/03/06 | – adapter for heat shrink boot |
| CA3100F-B-08/09 | – 90° endbell for flex tube |
| CA3100E-B-08/09 | – 90° endbell, cable clamp and bushing |
| CA06PG-B | – adapter for PG glands |
| CA06ME-B | – adapter for metric glands |
| CA3101F-B-08/09 | – 90° endbell flex tube |
| CA02L-B | – receptacle with pcb solder contacts |
| CA20L-B | – rear mount receptacle with pcb solder contacts |
| CA07A-B | – jam nut receptacle |

Important!

When connectors are requested according to VG 95234 modification, e. g. with another finish, with other contact arrangements and solder contacts, they are to be ordered only with the ITT Cannon order reference.

Connectors acc. to VG95234 are generally available with insert positions X and Y only.

VG order reference with modification is not possible (except F0-less contacts).

Cannon VG/CA-Bayonet

Contact Arrangements



A

Circular

| Contact arrangement | No. of contacts | Contact size | | | | | |
|---------------------|-----------------|--------------|----------|----------------|----------|----------|----------|
| | | 0 500 | 4 160 | 8 100 60 | 12 25 | 16 15 | 20 10 |
| 12S4 | 1 | | | | | 1 | |
| 14S4 | 1 | | | | | 1 | |
| 16-12 | 1 | | 1 | | | | |
| 18-6 | 1 | | 1 | | | | |
| 18-7 | 1 | | | 1 | | | |
| 20-2 | 1 | 1 | | | | | |
| 22-7 | 1 | 1 | | | | | |
| 10SL4 | 2 | | | | | 2 | |
| 14S9 | 2 | | | | | 2 | |
| 16S4 | 2 | | | | | 2 | |
| 16-11 | 2 | | | | 2 | | |
| 16A11 | 2 | | | | 2 | | |
| 18-3 | 2 | | | | 2 | | |
| 20-23 | 2 | | | 2 | | | |
| 22-1 | 2 | | | 2 | | | |
| 22-8 | 2 | | | | 2 | | |
| 24-9 | 2 | | 2 | | | | |
| 32-5 | 2 | 2 | | | | | |
| 10SL3 | 3 | | | | | 3 | |
| 14S1 | 3 | | | | | 3 | |
| 14S7 | 3 | | | | | 3 | |
| 16S5 | 3 | | | | | 3 | |
| 16-7 | 3 | | | 1 | | 2 | |
| 16-10 | 3 | | | | 3 | | |
| 18-5 | 3 | | | | 2 | 1 | |
| 18-21 | 3 | | | | 3 | | |
| 18-22 | 3 | | | | | 3 | |
| 20-6 | 3 | | | | | 3 | |
| 20-19 | 3 | | | 3 | | | |
| 22-2 | 3 | | | 3 | | | |
| 22-9 | 3 | | | 3 | | | |
| 22-21 | 3 | 1 | | | | 2 | |
| 12SA10 | 4 | | | | | 4 | |
| 14S2 | 4 | | | | | 4 | |
| 16-9 | 4 | | | | 2 | 2 | |
| 18-4 | 4 | | | | | 4 | |
| 18-10 | 4 | | | | 4 | | |
| 18-13 | 4 | | | 1 | 3 | | |
| 20-4 | 4 | | | | 4 | | |
| 20-24 | 4 | | | 2 | | 2 | |
| 22-4 | 4 | | | 2 | 2 | | |
| 22-10 | 4 | | | | | 4 | |
| 22-22 | 4 | | | 4 | | | |
| 22B22 | 4 | | | 4 | | | |
| 24-4 | 4 | 1 | | | | 3 | |
| 24-22 | 4 | | | 4 | | | |
| 32-17 | 4 | | 4 | | | | |
| 36-5 | 4 | 4 | | | | | |

| Contact arrangement | No. of contacts | Contact size | | | | | |
|---------------------|-----------------|--------------|----------|----------------|----------|----------|----------|
| | | 0 500 | 4 160 | 8 100 60 | 12 25 | 16 15 | 20 10 |
| 14S5 | 5 | | | | | 5 | |
| 16S8 | 5 | | | | | 5 | |
| 18-11 | 5 | | | | 5 | | |
| 18-20 | 5 | | | | | 5 | |
| 22-12 | 5 | | | 2 | | 3 | |
| 24-12 | 5 | | 2 | | 3 | | |
| 28-5 | 5 | | 2 | | 1 | 2 | |
| 32-1 | 5 | 2 | | | 3 | | |
| 14S6 | 6 | | | | | 6 | |
| 18-12 | 6 | | | | | 6 | |
| 20-8 | 6 | | | 2 | | 4 | |
| 20-22 | 6 | | | 3 | | 3 | |
| 22-5 | 6 | | | | 2 | 4 | |
| 22-15 | 6 | | | | 5 | 1 | |
| 28-22 | 6 | | 3 | | | 3 | |
| 36-3 | 6 | 3 | | | 3 | | |
| 36-6 | 6 | 2 | 4 | | | | |
| 14SA7 | 7 | | | | | 7 | |
| 16S1 | 7 | | | | | 7 | |
| 18-9 | 7 | | | | 2 | 5 | |
| 18-17 | 7 | | | | 2 | 5 | |
| 20-15 | 7 | | | | | 7 | |
| 22-28 | 7 | | | | | 7 | |
| 24-2 | 7 | | | | | 7 | |
| 24-10 | 7 | | | 7 | | | |
| 24-27 | 7 | | | | | 7 | |
| 28-10 | 7 | | 2 | 2 | 3 | | |
| 18-8 | 8 | | | | 1 | 7 | |
| 20-7 | 8 | | | | | 8 | |
| 22-23 | 8 | | | | 8 | | |
| 32-15 | 8 | 2 | | | 6 | | |
| 36A35 | 8 | 4 | | | | 4 | |
| 20-16 | 9 | | | | 2 | 7 | |
| 20-18 | 9 | | | | 3 | 6 | |
| 20A9 | 9 | | | | 9 | | |
| 22-16 | 9 | | | | 3 | 6 | |
| 22-20 | 9 | | | | | 9 | |
| 22-27 | 9 | | | 1 | | 8 | |
| 24-11 | 9 | | | 3 | 6 | | |
| 28A16 | 9 | | 4 | | | 5 | |
| 18-1 | 10 | | | | | 10 | |
| 18-19 | 10 | | | | | 10 | |
| 28-19 | 10 | | | | 4 | 6 | |
| 20-33 | 11 | | | | | 11 | |
| 24-20 | 11 | | | | 2 | 9 | |

Dimensions shown in inches (mm)
Specifications and dimensions subject to change

www.ittcannon.com



Cannon VG/CA-Bayonet



Contact Arrangements

A

Circular

| Contact arrangement | No. of contacts | Contact size | | | | | |
|---------------------|-----------------|--------------|-------|-------------|-------|-------|-------|
| | | 0 500 | 4 160 | 8 100 60 | 12 25 | 16 15 | 20 10 |
| 24-19 | 12 | | | | | | 12 |
| 24A24 | 12 | | | | | | 12 |
| 28-9 | 12 | | | | 6 | 6 | |
| 28-51 | 12 | | | | | | 12 |
| 20-11 | 13 | | | | | | 13 |
| 20-27 | 14 | | | | | | 14 |
| 22-19 | 14 | | | | | | 14 |
| 28-2 | 14 | | | | 2 | 12 | |
| 28-20 | 14 | | | | 10 | 4 | |
| 32-9 | 14 | 2 | | | | | 12 |
| 24-5 | 16 | | | | | | 16 |
| 24-7 | 16 | | | | 2 | 14 | |
| 36-14 | 16 | | | 5 | 5 | 6 | |
| 20-29 | 17 | | | | | | 17 |
| 20A48 | 19 | | | | | | 19 |
| 22-14 | 19 | | | | | | 19 |
| 28-16 | 20 | | | | | | 20 |
| 28-11 | 22 | | | | 4 | 18 | |
| 32-6 | 23 | | 2 | 3 | 2 | 16 | |
| 32-13 | 23 | | | | 5 | 18 | |
| 24-28 | 24 | | | | | | 24 |
| 28-12 | 26 | | | | | | 26 |
| 36A46 | 27 | | | | | 27 | |
| 24A28 | 28 | | | | | | 28 |
| 28A63 | 28 | | | | 9 | 19 | |
| 32-8 | 30 | | | | 6 | 24 | |
| 36-9 | 31 | | 1 | 2 | 14 | 14 | |
| 28-15 | 35 | | | | | | 35 |
| 32-7 | 35 | | | | 7 | 28 | |
| 36-15 | 35 | | | | | | 35 |
| 28-21 | 37 | | | | | | 37 |
| 36A98 | 39 | | | 8 | | | 31 |

| Contact arrangement | No. of contacts | Contact size | | | | | |
|---------------------|-----------------|--------------|-------|-------------|-------|-------|-------|
| | | 0 500 | 4 160 | 8 100 60 | 12 25 | 16 15 | 20 10 |
| 28A51 | 43 | | | | | | 43 |
| 32A47 | 47 | | | | | | 47 |
| 36-7 | 47 | | | | 7 | 40 | |
| 36-8 | 47 | | | | 1 | 46 | |
| 36-10 | 48 | | | | | | 48 |
| 36A34 | 52 | | | | | | 52 |
| 32A10 | 54 | | | | | | 54 |
| 32A55 | 55 | | | | | | 55 |
| 32A69 | 61 | | | | | 20 | 41 |
| 36A99 | 65 | | | | | 15 | 50 |

Most layout illustrations are shown in the MIL-C-5015 section on pages A-85 to A-88 or in the full CA-B catalog.



Dimensions shown in inches (mm)
Specifications and dimensions subject to change

www.ittcannon.com

Cannon VG/CA-Bayonet

Box Mounting Receptacle

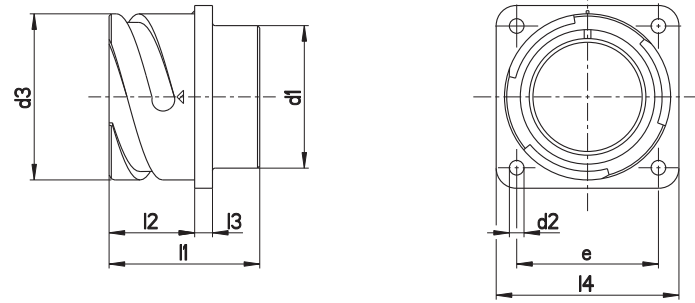


A

Circular

VG 95234 – Style A
CA 3102E-B and Modifications, see page A-134

Receptacle for front panel mounting with square flange.
 Threaded holes in flange not possible.

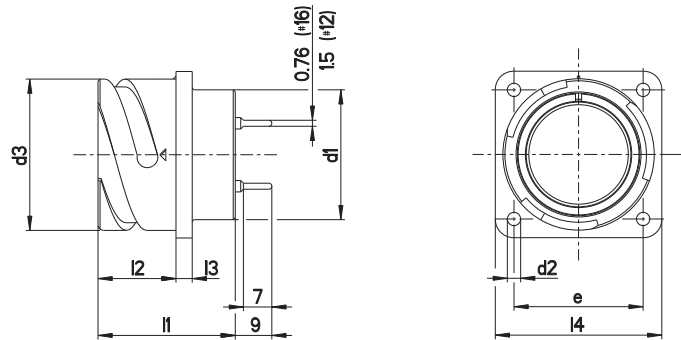


| VG95234 Part no. | Cannon Part no. | d ₁ max. | d ₂ H13 | d ₃ -0,15 | e ±0,1 | l ₁ ±0,3 | l ₂ +0,4 | l ₃ ±0,2 | l ₄ ±0,3 | Weight ¹⁾ g max. |
|------------------|------------------|---------------------|--------------------|----------------------|--------|---------------------|---------------------|---------------------|---------------------|-----------------------------|
| VG95234A-10SL | CA3102E10SL-**-B | 0.64 (16,2) | 0.13 (3,2) | 0.72 (18,2) | 18,2 | 0.97 (24,7) | 0.56 (14,2) | 0.11 (2,8) | 1.00 (25,4) | 12 |
| - | CA3102E12S-**-B | 0.64 (16,2) | 0.13 (3,2) | 0.84 (21,4) | 20,6 | 0.97 (24,7) | 0.56 (14,2) | 0.13 (3,2) | 1.10 (28,0) | 15 |
| VG95234A-14S | CA3102E14S-**-B | 0.75 (19,2) | 0.13 (3,2) | 0.97 (24,6) | 23,0 | 0.97 (24,7) | 0.56 (14,2) | 0.13 (3,2) | 1.18 (30,0) | 17 |
| VG95234A-16S | CA3102E16S-**-B | 0.88 (22,4) | 0.13 (3,2) | 1.03 (27,4) | 24,6 | 0.97 (24,7) | 0.56 (14,2) | 0.13 (3,2) | 1.28 (32,5) | 19 |
| VG95234A-16 | CA3102E16-**-B | 0.88 (22,4) | 0.13 (3,2) | 1.03 (27,4) | 24,6 | 1.33 (33,8) | 0.75 (19,0) | 0.13 (3,2) | 1.28 (32,5) | 22 |
| VG95234A-18 | CA3102E18-**-B | 1.01 (25,6) | 0.13 (3,2) | 1.21 (30,8) | 27,0 | 1.33 (33,8) | 0.75 (19,0) | 0.16 (4,0) | 1.38 (35,0) | 28 |
| VG95234A-20 | CA3102E20-**-B | 1.14 (29,0) | 0.13 (3,2) | 1.35 (34,2) | 29,4 | 1.33 (33,8) | 0.75 (19,0) | 0.16 (4,0) | 1.50 (38,0) | 33 |
| VG95234A-22 | CA3102E22-**-B | 1.27 (32,2) | 0.13 (3,2) | 1.47 (37,4) | 31,8 | 1.33 (33,8) | 0.75 (19,0) | 0.16 (4,0) | 1.61 (41,0) | 38 |
| VG95234A-24 | CA3102E24-**-B | 1.34 (35,3) | 0.14 (3,7) | 1.61 (40,9) | 34,9 | 1.33 (33,8) | 0.81 (20,6) | 0.16 (4,0) | 1.75 (44,5) | 46 |
| VG95234A-28 | CA3102E28-**-B | 1.63 (41,4) | 0.14 (3,7) | 1.83 (46,7) | 39,7 | 1.33 (33,8) | 0.81 (20,6) | 0.16 (4,0) | 2.00 (50,8) | 52 |
| VG95234A-32 | CA3102E32-**-B | 1.88 (47,8) | 0.17 (4,3) | 2.10 (53,4) | 44,5 | 1.33 (33,8) | 0.87 (22,2) | 0.16 (4,0) | 2.24 (57,0) | 64 |
| VG95234A-36 | CA3102E36-**-B | 2.07 (52,6) | 0.17 (4,3) | 2.35 (59,6) | 49,2 | 1.33 (33,8) | 0.87 (22,2) | 0.16 (4,0) | 2.50 (63,5) | 80 |

¹⁾ Weight without insulator

CA02L-B designates a receptacle for front panel mounting with solder pin contacts to solder into printed circuits. All pattern drawings upon request. For all other dimensions see above table.

For contact arrangements with #16S and #16 contacts only.



Dimensions shown in inches (mm)
 Specifications and dimensions subject to change

www.ittcannon.com



Cannon VG/CA-Bayonet

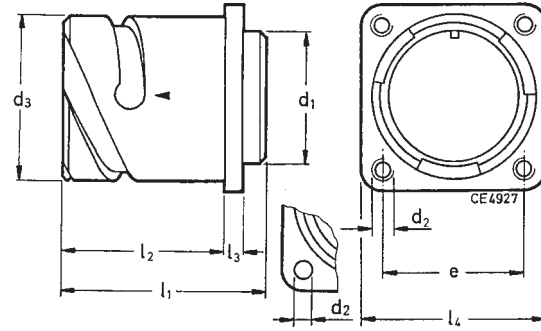
Box Mounting Receptacle



A

Circular

- VG95234 Style B1** (with threaded holes in flange)
- CA3102-B** and Modifications, e.g. -04, -109 or -111; 05
- CA3102-B** designates a receptacle with square flange for rear panel mounting.
- VG95234 Style B2** (with through holes in flange)
- CA3102E-B** and Modifications, see page A-134



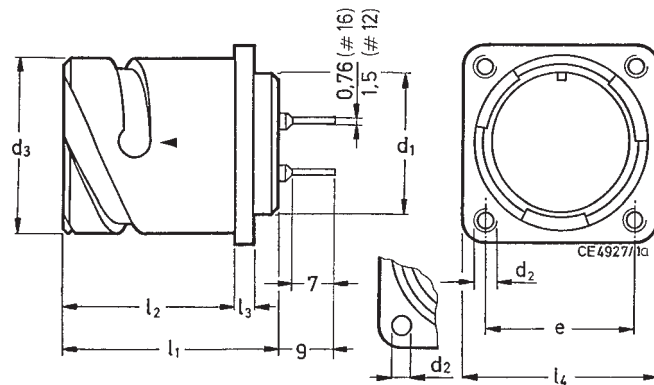
Style B2

| VG95234 Part no. | Cannon Part no. | d ₁ max. | d ₂ B1 B2 H13 | d ₃ -0,15 | e ±0,1 | l ₁ ±0,3 | l ₂ +0,4 | l ₃ ±0,2 | l ₄ ±0,3 | Weight ¹⁾ g max. | |
|------------------|--------------------|---------------------|--------------------------|----------------------|-------------|---------------------|---------------------|---------------------|---------------------|-----------------------------|----|
| VG95234XX-10SL-* | CA3102E10SL-*B-*** | 0.64 (16,2) | M4 | 0.13 (3,2) | 0.72 (18,2) | 18,2 | 0.97 (24,7) | 0.72 (18,2) | 0.11 (2,8) | 1.00 (25,4) | 14 |
| - | CA3102E12S-*B-*** | 0.64 (16,2) | M4 | 0.13 (3,2) | 0.84 (21,4) | 20,6 | 0.97 (24,7) | 0.72 (18,2) | 0.13 (3,2) | 1.10 (28,0) | 18 |
| VG95234XX-14S-* | CA3102E14S-*B-*** | 0.75 (19,2) | M4 | 0.13 (3,2) | 0.97(24,6) | 23,0 | 0.97 (24,7) | 0.72 (18,2) | 0.13 (3,2) | 1.18 (30,0) | 21 |
| CG95234XX-16S-* | CA3102E16S-*B-*** | 0.88 (22,4) | M4 | 0.13 (3,2) | 1.08 (27,4) | 24,6 | 0.97 (24,7) | 0.72 (18,2) | 0.13 (3,2) | 1.28 (32,5) | 22 |
| VG95234XX-16-* | CA3102E16-*B-*** | 0.88 (22,4) | M4 | 0.13 (3,2) | 1.08 (27,4) | 24,6 | 1.33 (33,8) | 0.85 (21,5) | 0.13 (3,2) | 1.28 (32,5) | 27 |
| VG95234XX-18-* | CA3102E18-*B-*** | 1.01 (25,6) | M4 | 0.13 (3,2) | 1.21 (30,8) | 27,0 | 1.33 (33,8) | 0.91 (23,05) | 0.16 (4,0) | 1.38 (35,0) | 33 |
| VG95234XX-20-* | CA3102E20-*B-*** | 1.14 (29,0) | M4 | 0.13 (3,2) | 1.35 (34,2) | 29,4 | 1.33 (33,8) | 0.91 (23,05) | 0.16 (4,0) | 1.50 (38,0) | 37 |
| VG95234XX-22-* | CA3102E22-*B-*** | 1.27 (32,2) | M4 | 0.13 (3,2) | 1.47 (37,4) | 31,8 | 1.33 (33,8) | 0.91 (23,05) | 0.16 (4,0) | 1.61 (41,0) | 42 |
| VG95234XX-24-* | CA3102E24-*B-*** | 1.34 (35,3) | M4 | 0.14 (3,7) | 1.61 (40,9) | 34,9 | 1.33 (33,8) | 0.91 (23,05) | 0.16 (4,0) | 1.75 (44,5) | 48 |
| VG95234XX-28-* | CA3102E28-*B-*** | 1.63 (41,4) | M5 | 0.14 (3,7) | 1.83 (46,7) | 39,7 | 1.33 (33,8) | 0.95 (24,05) | 0.16 (4,0) | 2.00 (50,8) | 58 |
| VG95234XX-32-* | CA3102E32-*B-*** | 1.88 (47,8) | M5 | 0.17 (4,3) | 2.10 (53,4) | 44,5 | 1.33 (33,8) | 0.95 (24,05) | 0.16 (4,0) | 2.24 (57,0) | 72 |
| VG95234XX-36-* | CA3102E36-*B-*** | 2.07 (54,1) | M5 | 0.17 (4,3) | 2.35 (59,6) | 49,2 | 1.33 (33,8) | 0.95 (24,05) | 0.16 (4,0) | 2.50 (63,5) | 84 |

¹⁾ Weight without insulator

CA20L-B designates a receptacle for rear panel mounting with solder pin contacts to solder into printed circuits. All pattern drawings upon request. For all other dimensions see above table.

For contact arrangements with #16S and #16 contacts only.



Mod. -05



Dimensions shown in inches (mm)
Specifications and dimensions subject to change

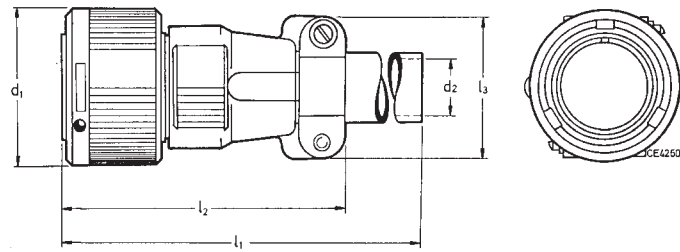
www.ittcannon.com

Cannon VG/CA-Bayonet

Straight Plug

CA3106E-B designates a straight plug with endbell, cable clamp and telescoping bushing

VG 95234 Style D resp. **CA3106E-B** and Modifications, see page A-134



A

Circular

| VG95234 Part no. | Cannon Part no. | d ₁ max. | d ₂ ²⁾ max. | l ₁ max. | l ₂ max. | l ₃ max. | Weight ¹⁾ g max. |
|------------------|---------------------|---------------------|-----------------------------------|---------------------|---------------------|---------------------|-----------------------------|
| VG95234D-10SL-* | CA3106E10SL-**B-*** | 0.90 (22,8) | 0.26 (6,5) | 4.53 (115) | 2.16 (55) | 0.89 (22,7) | 30 |
| | CA3106E12S-**B-*** | 1.02 (26,0) | 0.26 (6,5) | 4.53 (115) | 2.16 (55) | 0.89 (22,7) | 37 |
| VG95234D-14S-* | CA3106E14S-**B-*** | 1.15 (29,2) | 0.350(9,0) | 4.53 (115) | 2.36 (60) | 1.08 (27,5) | 44 |
| VG95234D-16S-* | CA3106E16S-**B-*** | 1.26 (32,0) | 0.43 (11,0) | 4.53 (115) | 2.36 (60) | 1.18 (30,0) | 54 |
| VG95234D-16-* | CA3106E16-**B-*** | 1.26 (32,0) | 0.43 (11,0) | 4.72 (120) | 2.76 (70) | 1.18 (30,0) | 62 |
| VG95234D-18-* | CA3106E18-**B-*** | 1.44 (36,5) | 0.56 (14,2) | 4.72 (120) | 2.95 (75) | 1.30 (33,0) | 70 |
| VG95234D-20-* | CA3106E20-**B-*** | 1.57 (39,9) | 0.62 (15,8) | 4.72 (120) | 2.95 (75) | 1.48 (37,5) | 85 |
| VG95234D-22-* | CA3106E22-**B-*** | 1.70 (43,1) | 0.62 (15,8) | 4.72 (120) | 2.95 (75) | 1.48 (37,5) | 92 |
| VG95234D-24-* | CA3106E24-**B-*** | 1.83 (46,6) | 0.84 (21,4) | 4.72 (120) | 3.54 (90) | 1.70 (43,3) | 127 |
| VG95234D-28-* | CA3106E28-**B-*** | 2.10 (53,4) | 0.84 (21,4) | 4.72 (120) | 3.54 (90) | 1.89 (48,0) | 154 |
| VG95234D-32-* | CA3106E32-**B-*** | 2.37 (60,1) | 1.05 (26,7) | 4.72 (120) | 3.54 (90) | 2.16 (55,0) | 199 |
| VG95234D-36-* | CA3106E36-**B-*** | 2.61 (66,3) | 1.25 (31,7) | 5.12 (130) | 3.94 (100) | 2.28 (58,0) | 260 |

1) Weight without insulator, grommets and contacts. 2) For max. cable entry.

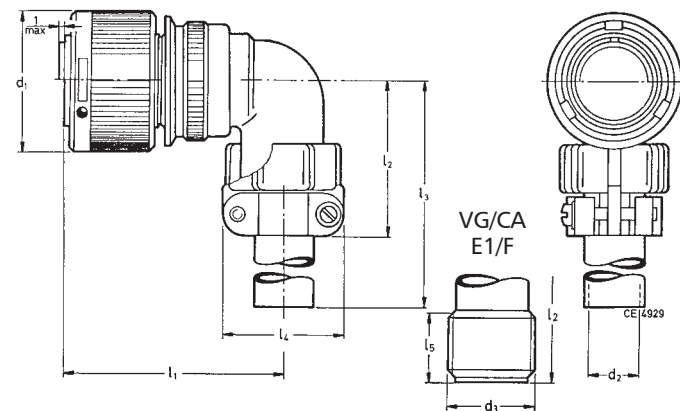
Plug 90°

VG 95234 Style E1 (with flex tube)
CA 3108 F-B and Modifications, see page A-134

CA3108E/F designates a plug 90°, which is available with cable clamp and bushing (E) or with flex tube termination (F)

VG 95234 Style E (with cable clamp and telescoping bushing)

CA 3108E-B and Modifications, see page A-134



| VG 95 234 Part no. | Cannon Part no. | d ₃ -Thread Style E1 CA3108F | d ₁ max. | d ₂ ²⁾ max. | l ₁ max. | l ₂ max. E | l ₃ max. E1 | E | l ₄ max. | l ₅ | Weight ¹⁾ g max. E | E1 |
|--------------------|---------------------|---|---------------------|-----------------------------------|---------------------|-----------------------|------------------------|------------|---------------------|----------------|-------------------------------|-----|
| VG95234XX-10SL-* | CA3108X10SL-**B-*** | 5/8-24NEF-2A | 0.90 (22,8) | 0.25 (6,5) | 1.77 (45) | 1.65 (42) | 1.18 (30) | 3.94 (100) | 0.89 (22,7) | 0.37 (9,4) | 37 | 27 |
| - | CA3108X12S-**B-*** | 5/8-24NEF-2A | 1.02 (26,0) | 0.25 (6,5) | 1.77 (45) | 1.65 (42) | 1.18 (30) | 3.94 (100) | 0.89 (22,7) | 0.37 (9,4) | 45 | 35 |
| VG95234XX-14S-* | CA3108X14S-**B-*** | 3/4-20UNEF-2A | 1.15 (29,2) | 0.35 (9,0) | 1.85 (47) | 1.65 (42) | 1.18 (30) | 3.94 (100) | 1.08 (27,5) | 0.37 (9,4) | 58 | 43 |
| VG95234XX-16S-* | CA3108X16S-**B-*** | 7/8-20UNEF-2A | 1.26 (32,0) | 0.43 (11,0) | 1.89 (48) | 1.77 (45) | 1.18 (30) | 3.94 (100) | 1.18 (30,0) | 0.37 (9,4) | 68 | 48 |
| VG95234XX-16-* | CA3108X16-**B-*** | 7/8-20UNEF-2A | 1.26 (32,0) | 0.43 (11,0) | 2.24 (57) | 1.77 (45) | 1.18 (30) | 3.94 (100) | 1.18 (30,0) | 0.37 (9,4) | 78 | 58 |
| VG95234XX-18-* | CA3108X18-**B-*** | 1-20UNEF-2A | 1.44 (36,5) | 0.56 (14,2) | 2.28 (58) | 2.09 (53) | 1.38 (35) | 3.94 (100) | 1.30 (33,0) | 0.37 (9,4) | 90 | 58 |
| VG95234XX-20-* | CA3108X20-**B-*** | 1 3/16-18UNEF-2A | 1.57 (39,9) | 0.62 (15,8) | 2.40 (61) | 2.09 (53) | 1.38 (35) | 3.94 (100) | 1.48 (37,5) | 0.37 (9,4) | 109 | 74 |
| VG95234XX-22-* | CA3108X22-**B-*** | 1 3/16-18UNEF-2A | 1.70 (43,1) | 0.62 (15,8) | 2.40 (61) | 2.09 (53) | 1.38 (35) | 3.94 (100) | 1.48 (37,5) | 0.37 (9,4) | 113 | 78 |
| VG95234XX-24-* | CA3108X24-**B-*** | 1 7/16-18UNEF-2A | 1.83 (46,6) | 0.84 (21,4) | 2.60 (66) | 2.28 (58) | 1.57 (40) | 3.94 (100) | 1.70 (43,3) | 0.37 (9,4) | 159 | 104 |
| VG95234XX-28-* | CA3108X28-**B-*** | 1 7/16-18UNEF-2A | 2.10 (53,4) | 0.84 (21,4) | 2.60 (66) | 2.28 (58) | 1.57 (40) | 3.94 (100) | 1.70 (43,3) | 0.37 (9,4) | 181 | 126 |
| VG95234XX-32-* | CA3108X32-**B-*** | 1 3/4 -18UNS-2A | 2.37 (60,1) | 1.05 (26,7) | 2.83 (72) | 2.60 (66) | 1.77 (45) | 4.33 (110) | 2.04 (51,7) | 0.43 (11,0) | 245 | 160 |
| VG95234XX-36-* | CA3108 36-**B-*** | 2 -18UNS-2A | 2.61 (66,3) | 1.25 (31,7) | 2.95 (75) | 2.71 (69) | 1.97 (50) | 4.33 (110) | 2.28 (58,0) | 0.50 (12,6) | 300 | 190 |

1) Weight without insulator, grommets and contacts. 2) For max. cable entry.

Dimensions shown in inches (mm)
Specifications and dimensions subject to change

www.ittcannon.com



Cannon VG/CA-Bayonet



A

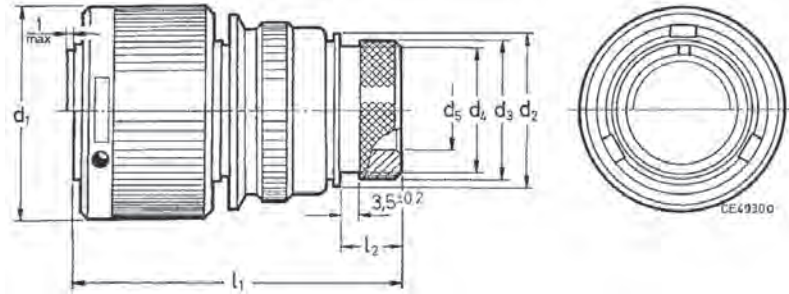
Circular

Straight Plug

VG95234 – Style G

CA3106E-B, -02, -03 or -06 designates a straight plug with adapter for heat shrinkable boots

CA3106E-B and Modifications, see page A-134



| VG 95234 Part no. | Cannon Part no. | d ₁ max. | d ₂ ±0,2 | d ₃ ±0,2 | d ₄ max. | d ₅ min. | l ₁ max. | l ₂ ±0,5 | Weight ¹⁾ g max. |
|-------------------|---------------------|---------------------|---------------------|---------------------|---------------------|---------------------|---------------------|---------------------|-----------------------------|
| VG95234G-10SL-* | CA3106E10SL-**B-*** | 0.90 (22,8) | 0.67 (17,0) | 0.61 (15,5) | 0.52 (13,3) | 0.30 (7,7) | 1.97 (50) | 0.46 (11,7) | 24 |
| - | CA3106E12S-**B-*** | 1.02 (26,0) | 0.70 (17,8) | 0.61 (15,5) | 0.52 (13,3) | 0.31 (7,9) | 1.97 (50) | 0.46 (11,7) | 35 |
| VG95234G-14S-* | CA3106E14S-**B-*** | 1.15 (29,2) | 0.79 (20,1) | 0.75 (19,1) | 0.67 (17,0) | 0.42 (10,6) | 1.97 (50) | 0.46 (11,7) | 41 |
| VG95234G-16S-* | CA3106E16S-**B-*** | 1.26 (32,0) | 0.93 (23,5) | 0.94 (23,9) | 0.86 (21,9) | 0.53 (13,5) | 1.97 (50) | 0.46 (11,7) | 51 |
| VG95234G-16-* | CA3106E16-**B-*** | 1.26 (32,0) | 0.93 (23,5) | 0.94 (23,9) | 0.86 (21,9) | 0.53 (13,5) | 2.36 (60) | 0.46 (11,7) | 58 |
| VG95234G-18-* | CA3106E18-**B-*** | 1.44 (36,5) | 1.04 (26,5) | 0.94 (23,9) | 0.86 (21,9) | 0.57 (14,6) | 2.36 ((60) | 0.46 (11,7) | 65 |
| VG95234G-20-* | CA3106E20-**B-*** | 1.57 (39,9) | 1.19 (30,2) | 1.17 (29,6) | 1.03 (26,2) | 0.74 (18,7) | 2.56 (65) | 0.50 (12,7) | 75 |
| VG95234G-22-* | CA3106E22-**B-*** | 1.70 (43,1) | 1.32 (33,6) | 1.17 (29,6) | 1.03 (26,2) | 0.82 (20,8) | 2.56 (65) | 0.50 (12,7) | 80 |
| VG95234G-24-* | CA3106E24-**B-*** | 1.83 (46,6) | 1.50 (38,1) | 1.49 (37,8) | 1.36 (34,5) | 0.97 (24,6) | 2.56 (65) | 0.50 (12,7) | 95 |
| VG95234G-28-* | CA3106E28-**B-*** | 2.10 (53,4) | 1.63 (41,4) | 1.49 (37,8) | 1.36 (34,5) | 1.06 (27,0) | 2.56 (65) | 0.50 (12,7) | 120 |
| VG95234G-32-* | CA3106E32-**B-*** | 2.37 (60,1) | 1.91 (48,6) | 1.88 (47,8) | 1.72 (43,6) | 1.31 (33,3) | 2.76 (70) | 0.60 (15,2) | 165 |
| VG95234G-36-* | CA3106E36-**B-*** | 2.61 (66,3) | 2.16 (54,8) | 1.88 (47,8) | 1.72 (43,6) | 1.52 (38,5) | 3.15 (80) | 0.60 (15,2) | 180 |

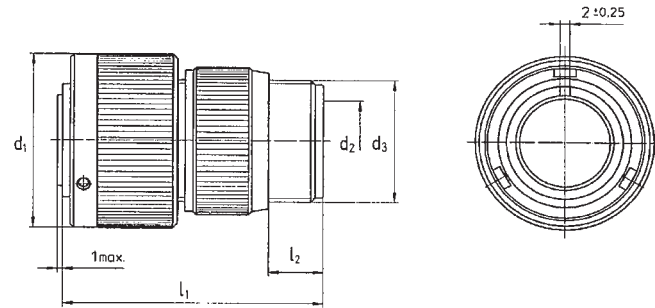
1) Weight without insulator, grommets and contacts.

Straight Plug

VG95234 Style H

CA3106-F-B designates a straight plug for flex tube

CA3106-B and Modifications, see page A-134



| VG 95234 Part no. | Cannon Part no. | d ₃ -Thread | d ₁ max. | d _{2a} ²⁾ | l ₁ max. | l ₂ min. | Weight ¹⁾ g max. |
|-------------------|---------------------|------------------------|---------------------|-------------------------------|---------------------|---------------------|-----------------------------|
| VG95234H-10SL-* | CA3106F10SL-**B-*** | 5/8-24NEF-2A | 0.90 (22,8) | 0.32 (8,2) | 1.97 (50) | 0.37 (9,5) | 21 |
| - | CA3106F12S-**B-*** | 5/8-24NEF-2A | 1.02 (26,0) | 0.32 (8,2) | 1.97 (50) | 0.37 (9,5) | 29 |
| VG95234H-14S-* | CA3106F14S-**B-*** | 3/4-20UNEF-2A | 1.15 (29,2) | 0.44 (11,1) | 1.97 (50) | 0.37 (9,5) | 33 |
| VG95234H-16S-* | CA3106F16S-**B-*** | 7/8-20UNEF-2A | 1.18 (32,0) | 0.56 (14,3) | 1.97 (50) | 0.37 (9,5) | 42 |
| VG95234H-16-* | CA3106F16-**B-*** | 7/8-20UNEF-2A | 1.18 (32,0) | 0.56 (14,3) | 2.36 (60) | 0.37 (9,5) | 51 |
| VG95234H-18-* | CA3106F18-**B-*** | 1-20UNEF-2A | 1.44 (36,5) | 0.66 (16,7) | 2.36 (60) | 0.37 (9,5) | 59 |
| VG95234H-20-* | CA3106F20-**B-*** | 1 3/16-18UNEF-2A | 1.57 (39,9) | 0.78 (19,8) | 2.36 (60) | 0.37 (9,5) | 59 |
| VG96234H-22-* | CA3106F22-**B-*** | 1 3/16-18UNEF-2A | 1.70 (43,1) | 0.78 (19,8) | 2.36 (60) | 0.37 (9,5) | 62 |
| VG95234H-24-* | CA3106F24-**B-*** | 1 7/16-18UNEF-2A | 1.83 (46,6) | 1.00 (25,4) | 2.56 (65) | 0.37 (9,5) | 84 |
| VG95234H-28-* | CA3106F28-**B-*** | 1 7/16-18UNEF-2A | 2.10 (53,4) | 1.06 (27,0) | 2.56 (65) | 0.37 (9,5) | 100 |
| VG95234H-32-* | CA3106F32-**B-*** | 1 3/4-18UNS-2A | 2.37 (60,1) | 1.28 (32,5) | 2.56 (65) | 0.43 (11,0) | 116 |
| VG95234H-36-* | CA3106F36-**B-*** | 2-18UNS-2A | 2.61 (66,3) | 1.40 (35,7) | 3.15 (80) | 0.46 (11,8) | 142 |

1) Weight without insulator, grommets and contacts. 2) For max. cable entry.



Dimensions shown in inches (mm)
Specifications and dimensions subject to change

www.ittcannon.com

Wall Mounting Receptacle



A

Circular

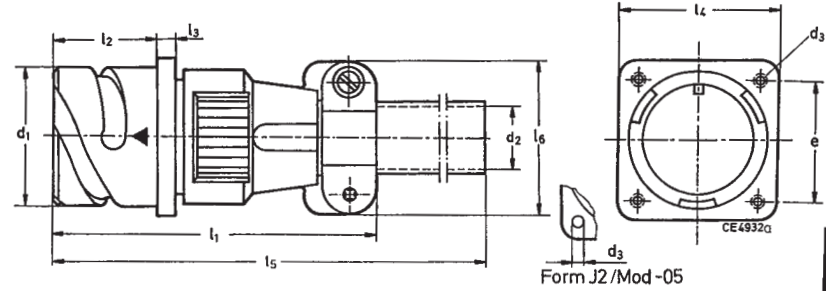
For rear mounting

VG95234 Style J₁ (with threaded holes in flange)
VG95234 Style J₂ (with through holes in flange)

CA3100E-B and Modifications e g -05
 (with through holes)

CA3100E-B designates a wall mounting
 receptacle with cable clamp and telescoping
 bushing

CA3100E-B and Modifications e g -01, -F80
 (for ordered contacts)



| VG95234 Part no. | Cannon Part no. | d ₁ -0,15 | d ₂ ¹⁾ | J1 | d ₃ | J2 | e ±0,1 | L ₁ max. | L ₂ +0,4 | L ₃ ±0,2 | L ₄ ±0,3 | L ₅ max. |
|------------------|--------------------|-------------------------|------------------------------|----|----------------|----|-----------|------------------------|------------------------|------------------------|------------------------|------------------------|
| VG95234*XX-10SL* | CA3100E10SL**B-*** | 0.72 (18,2) | 0.26 (6,5) | M4 | 0.13 (3,2) | | 18,2 | 2.24 (57) | 0.72 (18,2) | 0.11 (2,8) | 1.00 (25,4) | 4.72 (120) |
| - | CA3100E12S**B-*** | 0.84 (21,4) | 0.26 (6,5) | M4 | 0.13 (3,2) | | 20,6 | 2.24 (57) | 0.72 (18,2) | 0.13 (3,2) | 1.10 (28,0) | 4.72 (120) |
| VG95234*XX-14S* | CA3100E14S**B-*** | 0.97 (24,6) | 0.35 (9,0) | M4 | 0.13 (3,2) | | 23,0 | 2.32 (59) | 0.72 (18,2) | 0.13 (3,2) | 1.18 (30,0) | 4.72 (120) |
| VG95234*XX-16S* | CA3100E16S**B-*** | 1.08 (27,4) | 0.43 (11,0) | M4 | 0.13 (3,2) | | 24,6 | 2.36 (60) | 0.72 (18,2) | 0.13 (3,2) | 1.28 (32,5) | 4.72 (120) |
| VG95234*XX-16* | CA3100E16**B-*** | 1.08 (27,4) | 0.43 (11,0) | M4 | 0.13 (3,2) | | 24,6 | 2.68 (68) | 0.85 (21,5) | 0.13 (3,2) | 1.28 (32,5) | 4.92 (125) |
| VG95234*XX-18* | CA3100E18**B-*** | 1.21 (30,8) | 0.56 (14,2) | M4 | 0.13 (3,2) | | 27,0 | 2.83 (72) | 0.91 (23,05) | 0.16 (4,0) | 1.38 (35,0) | 4.92 (125) |
| VG95234*XX-20* | CA3100E20**B-*** | 1.35 (34,2) | 0.62 (15,8) | M4 | 0.13 (3,2) | | 29,4 | 2.83 (72) | 0.91 (23,05) | 0.16 (4,0) | 1.50 (38,0) | 4.92 (125) |
| VG95234*XX-22* | CA3100E22**B-*** | 1.47 (37,4) | 0.62 (15,8) | M4 | 0.13 (3,2) | | 31,8 | 2.83 (72) | 0.91 (23,05) | 0.16 (4,0) | 1.61 (41,0) | 4.92 (125) |
| VG95234*XX-24* | CA3100E24**B-*** | 1.61 (40,9) | 0.84 (21,4) | M4 | 0.15 (3,7) | | 34,9 | 3.07 (78) | 0.91 (23,05) | 0.16 (4,0) | 1.75 (44,5) | 4.92 (125) |
| VG95234*XX-28* | CA3100E28**B-*** | 1.84 (46,7) | 0.84 (21,4) | M5 | 0.15 (3,7) | | 39,7 | 3.11 (79) | 0.95 (24,05) | 0.16 (4,0) | 2.00 (50,8) | 4.92 (125) |
| VG95234*XX-32* | CA3100E32**B-*** | 2.10 (53,4) | 1.05 (26,7) | M5 | 0.17 (4,3) | | 44,5 | 3.07 (78) | 0.95 (24,05) | 0.16 (4,0) | 2.24 (57,0) | 4.92 (125) |
| VG95234*XX-36* | CA3100E36**B-*** | 2.35 (59,6) | 1.25 (31,7) | M5 | 0.17 (4,3) | | 49,2 | 3.07 (78) | 0.95 (24,05) | 0.16 (4,0) | 2.50 (63,5) | 5.31 (135) |

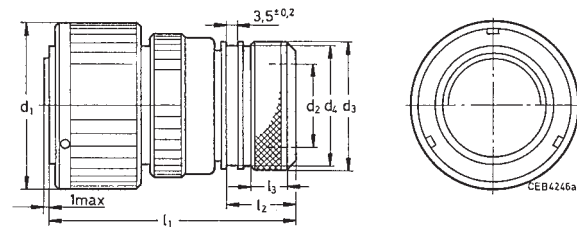
1) For max. cable entry.

Straight Plug, Shielded

VG95234 Style M

CA3106E-B-13, -14 or -15 designates a straight,
 shielded plug with endbell for shielded braids, and
 heat shrinkable boots

CA3106E-B and Modifications, see page A-134



| VG95234 Part no. | Cannon Part no. | d ₁ max. | d ₂ ²⁾ min. | d ₃ ±0,5 | d ₄ max. | l ₁ max. | l ₂ +1 | l ₃ ±0,5 | Weight ¹⁾ g max. |
|------------------|--------------------|------------------------|--------------------------------------|------------------------|------------------------|------------------------|----------------------|------------------------|--------------------------------|
| VG95234M-10SL* | CA3106E10SL**B-*** | 0.90 (22,8) | 0.30 (7,7) | 0.73 (18,5) | 0.64 (16,3) | 2.17 (55,0) | 0.67 (17,0) | 0.28 (7,0) | 40 |
| - | CA3106E12S**B-*** | 1.02 (26,0) | 0.37 (9,3) | 0.79 (20,0) | 0.67 (17,0) | 2.17 (55,0) | 0.67 (17,0) | 0.28 (7,0) | 42 |
| VG95234M-14S* | CA3106E14S**B-*** | 1.15 (29,2) | 0.42 (10,6) | 0.87 (22,0) | 0.79(20,0) | 2.17 (55,0) | 0.67 (17,0) | 0.28 (7,0) | 45 |
| VG95234M-16S* | CA3106E16S**B-*** | 1.26 (32,0) | 0.53 (13,5) | 0.98 (25,0) | 0.91(23,0) | 2.36 (60,0) | 0.71 (18,0) | 0.31 (8,0) | 55 |
| VG95234M-16* | CA3106E16**B-*** | 1.26 (32,0) | 0.53 (13,5) | 0.98 (25,0) | 0.91(23,0) | 2.76 (70,0) | 0.71 (18,0) | 0.31 (8,0) | 65 |
| VG95234M-18* | CA3106E18**B-*** | 1.44 (36,5) | 0.57 (14,6) | 1.10 (28,0) | 0.96 (24,5) | 2.76 (70,0) | 0.71 (18,0) | 0.31 (8,0) | 75 |
| VG95234M-20* | CA3106E20**B-*** | 1.57 (39,9) | 0.73 (18,5) | 1.26 (32,0) | 1.12 (28,5) | 2.76 (70,0) | 0.71 (18,0) | 0.39 (10,0) | 85 |
| VG95234M-22* | CA3106E22**B-*** | 1.70 (43,1) | 0.82 (20,8) | 1.34 (34,0) | 1.20 (30,5) | 2.76 (70,0) | 0.71 (18,0) | 0.39 (10,0) | 100 |
| VG95234M-24* | CA3106E24**B-*** | 1.88 (46,6) | 0.97 (24,6) | 1.50 (38,0) | 1.36 (34,5) | 2.76 (70,0) | 0.71 (18,0) | 0.39 (10,0) | 115 |
| VG95234M-28* | CA3106E28**B-*** | 2.10 (53,4) | 1.06 (27,0) | 1.61 (41,0) | 1.48 (37,5) | 2.76 (70,0) | 0.71 (18,0) | 0.39 (10,0) | 130 |
| VG95234M-32* | CA3106E32**B-*** | 2.37 (60,1) | 1.31 (33,3) | 1.89 (48,0) | 1.73 (44,0) | 2.76 (70,0) | 0.71 (18,0) | 0.39 (10,0) | 170 |
| VG95234M-36* | CA3106E36**B-*** | 2.61 (66,3) | 1.52 (38,5) | 2.17 (55,0) | 2.00 (51,0) | 3.15 (80,0) | 0.71 (18,0) | 0.39 (10,0) | 190 |

1) Weight without insulator, grommets and contacts. 2) For max. cable entry.

Dimensions shown in inches (mm)
 Specifications and dimensions subject to change

www.ittcannon.com



Cannon VG/CA-Bayonet

Wall Mounting Receptacle



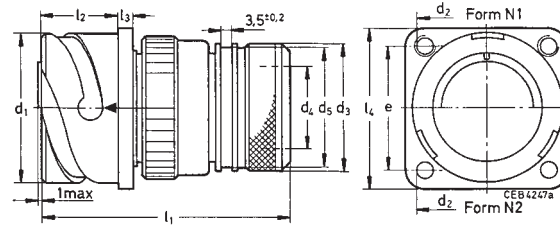
A

Circular

VG95234 Style N1 (with threaded holes in flange)
VG95234 Style N2 (with through holes in flange)

CA3100E-B, -13, -14 or -15, -05-13, -05-14 or -05-15 designates a shielded receptacle with endbell for shielded braids, and also for heat shrinkable boots

CA3100E-B and Modifications, see page A-134



| VG95234 Part no. | Cannon Part no. | d ₁ -0,15 | d ₂ Thread H13 N1 N2 | d ₃ ±0,5 | d ₄ ²⁾ min. | d ₅ max. | e ±0,1 | l ₁ max. | l ₂ +0,4 | l ₃ ±0,2 | l ₄ +0,3 | Weight ¹⁾ g max. | |
|------------------|-------------------|-------------------------|--|------------------------|--------------------------------------|------------------------|----------------|------------------------|------------------------|------------------------|------------------------|-----------------------------------|-----|
| VG95234*XX-10SL* | CA3100E10SL**B*** | 0.72 (18,2) | M4 | 0.13 (3,2) | 0.73 (18,5) | 0.30 (7,7) | 0.64 (16,3) | 0.72 (18,2) | 2.17 (55) | 0.72 (18,2) | 0.11 (2,8) | 1.00 (25,4) | 45 |
| VG95234*XX-14S* | CA3100E14S**B*** | 0.97 (24,6) | M4 | 0.13 (3,2) | 0.87 (22,0) | 0.42 (10,6) | 0.79 (20,0) | 0.91 (23,0) | 2.28 (58) | 0.72 (18,2) | 0.13 (3,2) | 1.18 (30,0) | 55 |
| VG95234*XX-16S* | CA3100E16S**B*** | 1.08 (27,4) | M4 | 0.13 (3,2) | 0.98 (25,0) | 0.53 (13,5) | 0.91 (23,0) | 0.97 (24,6) | 2.76 (70) | 0.72 (18,2) | 0.13 (3,2) | 1.28 (32,5) | 65 |
| VG95234*XX-16* | CA3100E16**B*** | 1.08 (27,4) | M4 | 0.13 (3,2) | 0.98 (25,0) | 0.53 (13,5) | 0.91 (23,0) | 0.97 (24,6) | 2.76 (70) | 0.85 (21,5) | 0.13 (3,2) | 1.28 (32,5) | 75 |
| VG95234*XX-18* | CA3100E18**B*** | 1.21 (30,8) | M4 | 0.13 (3,2) | 1.10 (28,0) | 0.57 (14,6) | 0.96 (24,5) | 1.06 (27,0) | 2.76 (70) | 0.91 (23,05) | 0.16 (4,0) | 1.38 (35,0) | 85 |
| VG95234*XX-20* | CA3100E20**B*** | 1.35 (34,2) | M4 | 0.13 (3,2) | 1.26 (32,0) | 0.73 (18,5) | 1.12 (28,5) | 1.16 (29,4) | 2.76 (70) | 0.91 (23,05) | 0.16 (4,0) | 1.51 (38,4) | 95 |
| VG95234*XX-22* | CA3100E22**B*** | 1.47 (37,4) | M4 | 0.13 (3,2) | 1.34 (34,0) | 0.82 (20,8) | 1.20 (30,5) | 1.25 (31,8) | 2.76 (70) | 0.91 (23,05) | 0.16 (4,0) | 1.61 (41,0) | 105 |
| VG95234*XX-24* | CA3100E24**B*** | 1.61 (40,9) | M4 | 0.15 (3,7) | 1.50 (38,0) | 0.97 (24,6) | 1.36 (34,5) | 1.37 (34,9) | 2.76 (70) | 0.91 (23,05) | 0.16 (4,0) | 1.75 (44,5) | 120 |
| VG95234*XX-28* | CA3100E28**B*** | 1.84 (46,7) | M5 | 0.15 (3,7) | 1.61 (41,0) | 1.06 (27,0) | 1.48 (37,5) | 1.56 (39,7) | 2.76 (70) | 0.95 (24,05) | 0.16 (4,0) | 2.00 (50,8) | 150 |
| VG95234*XX-32* | CA3100E32**B*** | 2.10 (53,4) | M5 | 0.17 (4,3) | 1.89 (48,0) | 1.31 (33,3) | 1.73 (44,0) | 1.75 (44,5) | 2.95 (75) | 0.95 (24,05) | 0.16 (4,0) | 2.24 (57,0) | 190 |
| VG95234*XX-36* | CA3100E36**B*** | 2.35 (59,6) | M5 | 0.17 (4,3) | 2.17 (55,0) | 1.52 (38,5) | 2.00 (51,0) | 1.94 (49,2) | 3.35 (85) | 0.95 (24,05) | 0.16 (4,0) | 2.50 (63,5) | 220 |

1) Weight without insulator, grommets and contacts.

2) For max. cable entry.



Cannon VG/CA-Bayonet

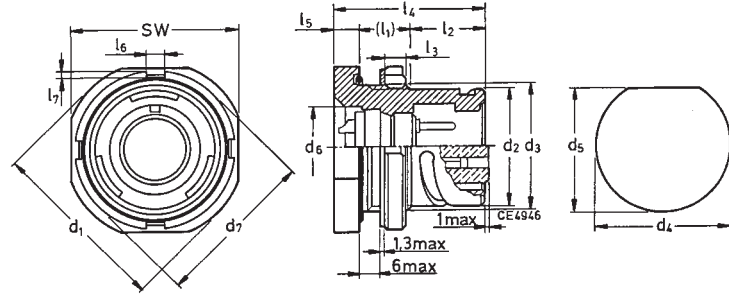
Jam Nut Receptacle



A

CA07A-B designates a rear mounting jam nut receptacle

CA07A-B and Modifications, see page A-134



Circular

| Cannon Part no. | d ₁ | d ₂ | d ₃ Thread | (l ₁) | l ₂ | l ₃ | l ₄ | d ₄ | d ₅ | d ₆ | d ₇ | sw | d _g | l ₅ | l ₆ | l ₇ |
|--------------------|----------------|----------------|-----------------------|-------------------|----------------|----------------|----------------|----------------|----------------|----------------|----------------|----------------|----------------|----------------|----------------|----------------|
| CA07A10SL-***B-*** | 1.38 (35,0) | 0.72 (18,2) | 7/8-20UNEF-2A | 0.53 (13,5) | 0.49 (12,5) | 0.16 (4,0) | 1.15 (29,2) | 0.89 (22,7) | 0.82 (20,9) | 0.52 (13,5) | 1.24 (31,5) | 1.25 (31,8) | 0.81 (20,6) | 0.13 (3,2) | 0.20 (5,0) | 0.10 (2,5) |
| CA07A14S-***B-*** | 1.63 (41,3) | 0.97 (24,6) | 1 1/8-18UNEF-2A | 0.53 (13,5) | 0.49 (12,5) | 0.16 (4,0) | 1.15 (29,2) | 1.13 (28,8) | 1.07 (27,2) | 0.70 (17,9) | 1.49 (37,9) | 1.50 (38,1) | 1.06 (26,9) | 0.13 (3,2) | 0.24 (6,0) | 0.10 (2,5) |
| CA07A16S-***B-*** | 1.75 (44,4) | 1.08 (27,4) | 1 1/4-18UNEF-2A | 0.53 (13,5) | 0.49 (12,5) | 0.16 (4,0) | 1.15 (29,2) | 1.26 (32,0) | 1.20 (30,4) | 0.83 (21,1) | 1.61 (41,0) | 1.62 (41,2) | 1.19 (30,1) | 0.13 (3,2) | 0.24 (6,0) | 0.10 (2,5) |
| CA07A16-***B-*** | 1.75 (44,4) | 1.08 (27,4) | 1 1/4-18UNEF-2A | 0.53 (13,5) | 0.83 (21,0) | 0.16 (4,0) | 1.48 (37,7) | 1.26 (32,0) | 1.20 (30,4) | 0.83 (21,1) | 1.61 (41,0) | 1.62 (41,2) | 1.19 (30,1) | 0.13 (3,2) | 0.24 (6,0) | 0.10 (2,5) |
| CA07A18-***B-*** | 1.90 (48,2) | 1.21 (30,8) | 1 3/8-18UNEF-2A | 0.59 (15,0) | 0.83 (21,0) | 0.20 (5,0) | 1.57 (40,0) | 1.38 (35,1) | 1.32 (33,6) | 0.95 (24,2) | 1.76 (44,8) | 1.77 (45,0) | 1.31 (33,3) | 0.16 (4,0) | 0.28 (7,0) | 0.12 (3,0) |
| CA07A20-***B-*** | 2.06 (52,4) | 1.35 (34,2) | 1 1/2-18UNEF-2A | 0.59 (15,0) | 0.83 (21,0) | 0.20 (5,0) | 1.57 (40,0) | 1.50 (38,2) | 1.45 (36,8) | 1.11 (28,2) | 1.93 (49,0) | 1.94 (49,2) | 1.44 (36,5) | 0.16 (4,0) | 0.28 (7,0) | 0.12 (3,0) |
| CA07A22-***B-*** | 2.19 (55,5) | 1.47 (37,4) | 1 5/8-18UNEF-2A | 0.59 (15,0) | 0.83 (21,0) | 0.20 (5,0) | 1.57 (40,0) | 1.65 (42,0) | 1.57 (39,9) | 1.24 (31,4) | 2.06 (52,2) | 2.06 (52,4) | 1.56 (39,6) | 0.16 (4,0) | 0.28 (7,0) | 0.12 (3,0) |
| CA07A24-***B-*** | 2.32 (59,0) | 1.61 (40,9) | 1 3/4-18UNEF-2A | 0.59 (15,0) | 0.83 (21,0) | 0.20 (5,0) | 1.57 (40,0) | 1.76 (44,7) | 1.70 (43,1) | 1.36 (34,5) | 2.17 (55,0) | 2.06 (55,2) | 1.62 (41,2) | 0.16 (4,0) | 0.28 (7,0) | 0.12 (3,0) |
| CA07A28-***B-*** | 2.60 (66,0) | 1.84 (46,7) | 2-18UNEF-2A | 0.59 (15,0) | 0.83 (21,0) | 0.20 (5,0) | 1.57 (40,0) | 2.01 (51,1) | 1.94 (49,2) | 1.58 (40,1) | 2.44 (62,0) | 2.45 (62,2) | 1.87 (47,5) | 0.16 (4,0) | 0.28 (7,0) | 0.12 (3,0) |
| CA07A32-***B-*** | 2.83 (72,0) | 2.10 (53,4) | 2 1/4-16UN-2A | 0.59 (15,0) | 0.83 (21,0) | 0.20 (5,0) | 1.57 (40,0) | 2.26 (57,4) | 2.19 (55,7) | 1.83 (46,5) | 2.68 (68,0) | 2.69 (68,2) | 2.13 (54,1) | 0.16 (4,0) | 0.28 (7,0) | 0.12 (3,0) |
| CA07A36-***B-*** | 3.15 (80,0) | 2.35 (59,6) | 1/2-16UN-2A | 0.59 (15,0) | 0.83 (21,0) | 0.20 (5,0) | 1.57 (40,0) | 2.51 (63,8) | 2.44 (62,0) | 2.02 (51,2) | 2.95 (75,0) | 2.96 (75,2) | 2.38 (60,5) | 0.16 (4,0) | 0.31 (8,0) | 0.12 (3,0) |

Dimensions shown in inches (mm)
Specifications and dimensions subject to change

www.ittcannon.com



Cannon VG/CA-Bayonet



A

Circular

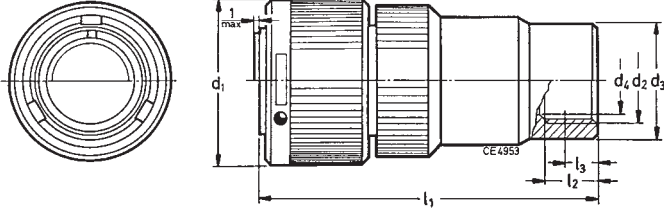
Straight Plug with PG Adapter

CA06PG-B designates a straight plug featured by an adaptor for PG glands.

Enlarged PG glands upon request.

CA06ME-B¹ designates a straight plug featured by an adaptor for metric glands.

CA06PG-B; CA06ME-B and Modifications see page A-134.



¹Alternative enlarged PG glands upon request

| Cannon Part no. | d ₁ | d ₃ | d ₄ | l ₁ | l ₂ | l ₃ | d ₂ PG-Thread |
|---------------------|----------------|----------------|----------------|----------------|----------------|----------------|--------------------------|
| CA06PG10SL-**-B-*** | 0.90 (22,8) | 0.71 (18,0) | 0.38 (9,7) | 2.05 (52) | 0.37 (9,5) | 0.28 (7,0) | PG 9 |
| CA06PG12S-**-B-*** | 1.02 (26,0) | 0.74 (18,8) | 0.41 (10,4) | 2.05 (52) | 0.37 (9,5) | 0.28 (7,0) | PG 9 |
| CA06PG14S-**-B-*** | 1.15 (29,2) | 0.87 (22,0) | 0.49 (12,5) | 2.05 (52) | 0.39 (10,0) | 0.28 (7,0) | PG11 |
| CA06PG16S-**-B-*** | 1.26 (32,0) | 0.93 (23,6) | 0.59 (15,0) | 2.13 (54) | 0.39 (10,0) | 0.28 (7,0) | PG13,5 |
| CA06PG16-**-B-*** | 1.26 (32,0) | 0.94 (24,0) | 0.59 (15,0) | 2.52 (64) | 0.39 (10,0) | 0.28 (7,0) | PG13,5 |
| CA06PG18-**-B-*** | 1.44 (36,5) | 0.96 (24,4) | 0.67 (17,0) | 2.72 (69) | 0.45 (11,5) | 0.30 (7,5) | PG13,5 |
| CA06PG20-**-B-*** | 1.57 (39,9) | 1.06 (26,8) | 0.67 (17,0) | 2.76 (70) | 0.45 (11,5) | 0.30 (7,5) | PG16 |
| CA06PG22-**-B-*** | 1.66 (42,1) | 1.04 (26,4) | 0.67 (17,0) | 2.87 (73) | 0.45 (11,5) | 0.30 (7,5) | PG16 |
| CA06PG24-**-B-*** | 1.83 (46,6) | 1.06 (26,8) | 0.73 (18,5) | 2.91 (74) | 0.49 (12,5) | 0.30 (7,5) | PG16 |
| CA06PG28-**-B-*** | 2.10 (53,4) | 1.26 (32,0) | 0.73 (18,5) | 2.91 (74) | 0.49 (12,5) | 0.30 (7,5) | PG21 |
| CA06PG32-**-B-*** | 2.37 (60,1) | 1.61 (40,8) | 0.94 (24,0) | 2.99 (76) | 0.53 (13,5) | 0.33 (8,5) | PG29 |
| CA06PG36-**-B-*** | 2.61 (66,3) | 1.61 (40,8) | 1.26 (32,0) | 3.43 (87) | 0.59 (15,0) | 0.35 (9,0) | PG29 |

| Cannon Part no. | d ₁ | d ₃ max | d ₄ | l ₁ | l ₂ | l ₃ | d ₂ Metric |
|---------------------|----------------|--------------------|----------------|----------------|----------------|----------------|-----------------------|
| CA06ME10SL-**-B-*** | 0.90 (22,8) | 0.85 (21,5) | 0.38 (9,7) | 2.05 (52) | 0.37 (9,5) | 0.28 (7,0) | M16 X 1,5 |
| CA06ME12S-**-B-*** | 1.02 (26,0) | 0.89 (22,5) | 0.41 (10,4) | 2.05 (52) | 0.37 (9,5) | 0.28 (7,0) | M16 X 1,5 |
| CA06ME14S-**-B-*** | 1.15 (29,2) | 0.98 (25,0) | 0.49 (12,5) | 2.05 (52) | 0.39 (10,0) | 0.28 (7,0) | M20 X 1,5 |
| CA06ME16S-**-B-*** | 1.26 (32,0) | 1.04 (26,5) | 0.59 (15,0) | 2.13 (54) | 0.39 (10,0) | 0.28 (7,0) | M20 X 1,5 |
| CA06ME16-**-B-*** | 1.26 (32,0) | 1.04 (26,5) | 0.59 (15,0) | 2.52 (64) | 0.39 (10,0) | 0.28 (7,0) | M20 X 1,5 |
| CA06ME18-**-B-*** | 1.44 (36,5) | 1.22 (31,0) | 0.67 (17,0) | 2.72 (69) | 0.45 (11,5) | 0.30 (7,5) | M25 X 1,5 |
| CA06ME20-**-B-*** | 1.57 (39,9) | 1.34 (34,0) | 0.67 (17,0) | 2.76 (70) | 0.45 (11,5) | 0.30 (7,5) | M25 X 1,5 |
| CA06ME22-**-B-*** | 1.66 (42,1) | 1.59 (40,5) | 0.67 (17,0) | 2.87 (73) | 0.45 (11,5) | 0.30 (7,5) | M32 X 1,5 |
| CA06ME24-**-B-*** | 1.83 (46,6) | 1.59 (40,5) | 0.73 (18,5) | 2.91 (74) | 0.49 (12,5) | 0.30 (7,5) | M32 X 1,5 |
| CA06ME28-**-B-*** | 2.10 (53,4) | 1.61 (41,0) | 0.73 (18,5) | 2.91 (74) | 0.49 (12,5) | 0.30 (7,5) | upon request |
| CA06ME32-**-B-*** | 2.37 (60,1) | 1.91 (48,5) | 0.94 (24,0) | 2.99 (76) | 0.53 (13,5) | 0.33 (8,5) | upon request |
| CA06ME36-**-B-*** | 2.61 (66,3) | 1.91 (48,5) | 1.26 (32,0) | 3.43 (87) | 0.59 (15,0) | 0.35 (9,0) | upon request |



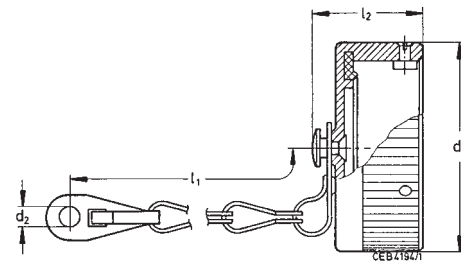
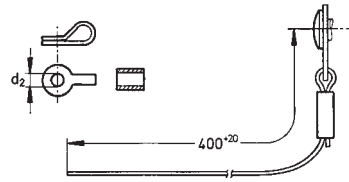
Dimensions shown in inches (mm)
Specifications and dimensions subject to change

www.ittcannon.com

Cannon VG/CA-Bayonet

Metal Protecting Caps

For receptacles, shell style
3100, 3101 und 3102
Material: Aluminum alloy



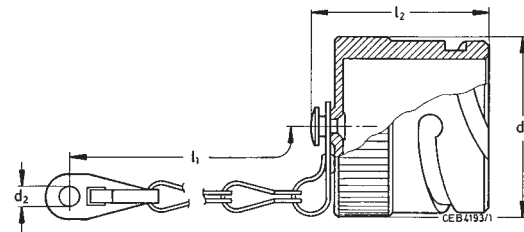
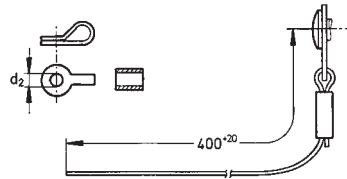
A

Circular

| Shell size | VG95234 Part no. with chain | VG95234 Part no. with cord | Cannon Part no. with chain | Cannon Part no. with cord | d ₁ max. | d ₂ +0,6 | l ₁ min. f. chain | l ₂ max. | Weight g max. |
|------------|-----------------------------|----------------------------|----------------------------|---------------------------|---------------------|---------------------|------------------------------|---------------------|---------------|
| 10SL | VG95234KR10SL | VG95234KA10SL | CA121003-1 | CAB81-10SL-D | 0.93 (23,5) | 0.17 (4,3) | 3.54 (90) | 0.79 (20) | 16 |
| 12S | - | - | CA121003-2 | CAB81-12S-D | 1.06 (27,0) | 0.17 (4,3) | 3.54 (90) | 0.79 (20) | 17 |
| 14S | VG95234KR14S | VG95234KA14S | CA121003-3 | CAB81-14S-D | 1.20 (30,5) | 0.17 (4,3) | 3.54 (90) | 0.79 (20) | 18 |
| 16S | VG95234KR16S | VG95234KA16S | CA121003-4 | CAB81-16S-D | 1.30 (33,0) | 0.17 (4,3) | 3.54 (90) | 0.79 (20) | 19 |
| 16 | VG95234KR16 | VG95234KA16 | CA121003-5 | CAB81-16-D | 1.30 (33,0) | 0.17 (4,3) | 3.94 (100) | 0.98 (25) | 23 |
| 18 | VG95234KR18 | VG95234KA18 | CA121003-6 | CAB81-18-D | 1.48 (37,5) | 0.17 (4,3) | 3.94 (100) | 0.98 (25) | 27 |
| 20 | VG95234KR20 | VG95234KA20 | CA121003-7 | CAB81-20-D | 1.61 (41,0) | 0.17 (4,3) | 4.53 (115) | 0.98 (25) | 30 |
| 22 | VG95234KR22 | VG95234KA22 | CA121003-8 | CAB81-22-D | 1.73 (44,0) | 0.17 (4,3) | 4.53 (115) | 0.98 (25) | 33 |
| 24 | VG95234KR24 | VG95234KA24 | CA121003-9 | CAB81-24-D | 1.87 (47,5) | 0.17 (4,3) | 4.53 (115) | 0.98 (25) | 37 |
| 28 | VG95234KR28 | VG95234KA28 | CA121003-10 | CAB81-28-D | 2.15 (54,5) | 0.22 (5,5) | 6.30 (160) | 0.98 (25) | 42 |
| 32 | VG95234KR32 | VG95234KA32 | CA121003-11 | CAB81-32-D | 2.40 (61,0) | 0.22 (5,5) | 6.30 (160) | 0.98 (25) | 48 |
| 36 | VG95234KR36 | VG95234KA36 | CA121003-12 | CAB81-36-D | 2.66 (67,5) | 0.22 (5,5) | 6.30 (160) | 0.98 (25) | 55 |

Metal Protecting Caps

For plugs, shell style
3106 and 3108
Material: Aluminum alloy



| Shell size | VG95234 Part no. with chain | VG95234 Part no. with cord | Cannon Part no. with chain | Cannon Part no. with cord | d ₁ max. | d ₂ | l ₁ | l ₂ max. | Weight g max. |
|------------|-----------------------------|----------------------------|----------------------------|---------------------------|---------------------|----------------|----------------|---------------------|---------------|
| 10SL | VG95234KB10SL | VG95234KC10SL | CA121004-1 | CAB80-10SL-D | 0.83 (21,0) | 0.17 (4,3) | 3.54 (90) | 1.14 (29) | 19 |
| 12S | - | - | CA121004-2 | CAB80-12S-D | 0.94 (24,0) | 0.17 (4,3) | 3.94 (100) | 1.14 (29) | 23 |
| 14S | VG95234KB14S | VG95234KC14S | CA121004-3 | CAB80-14S-D | 1.08 (27,5) | 0.17 (4,3) | 3.94 (100) | 1.14 (29) | 26 |
| 16S | VG95234KB16S | VG95234KC16S | CA121004-4 | CAB80-16S-D | 1.18 (30,0) | 0.17 (4,3) | 3.94 (100) | 1.14 (29) | 28 |
| 16 | VG95234KB16 | VG95234KC16 | CA121004-5 | CAB80-16-D | 1.18 (30,0) | 0.17 (4,3) | 4.53 (115) | 1.46 (37) | 33 |
| 18 | VG95234KB18 | VG95234KC18 | CA121004-6 | CAB80-18-D | 1.32 (33,5) | 0.17 (4,3) | 4.53 (115) | 1.46 (37) | 36 |
| 20 | VG95234KB20 | VG95234KC20 | CA121004-7 | CAB80-20-D | 1.46 (37,0) | 0.19 (4,7) | 5.12 (130) | 1.46 (37) | 43 |
| 22 | VG95234KB22 | VG95234KC22 | CA121004-8 | CAB80-22-D | 1.57 (40,0) | 0.19 (4,7) | 5.12 (130) | 1.46 (37) | 47 |
| 24 | VG95234KB24 | VG95234KC24 | CA121004-9 | CAB80-24-D | 1.71 (43,5) | 0.19 (4,7) | 5.12 (130) | 1.46 (37) | 53 |
| 28 | VG95234KB28 | VG95234KC28 | CA121004-10 | CAB80-28-D | 1.95 (49,5) | 0.19 (4,7) | 7.48 (190) | 1.46 (37) | 63 |
| 32 | VG95234KB32 | VG95234KC32 | CA121004-11 | CAB80-32-D | 2.20 (56,0) | 0.22 (5,5) | 7.48 (190) | 1.46 (37) | 75 |
| 36 | VG95234KB36 | VG95234KC36 | CA121004-12 | CAB80-36-D | 2.46 (62,5) | 0.22 (5,5) | 7.48 (190) | 1.46 (37) | 88 |

Dimensions shown in inches (mm)
Specifications and dimensions subject to change

www.ittcannon.com

Cannon VG/CA-Bayonet

Contacts



A

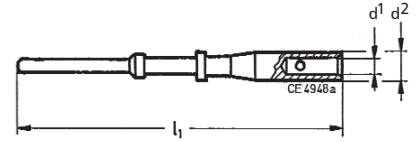
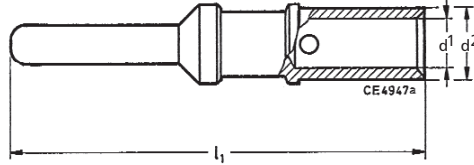
Circular

Standard contacts and contacts with reduced termination diameter

Size 15S/16S, 15/16, 25/12, 60/100/8, 160/4, 500/0

Size 10/20

Pin contacts



Finish

- A36 - 5 m silver plated and passivated
- A176 - 2 m nickel plated, min. 0,5 m gold

| Contact size | VG95234 Part no. | Wire size, mm ² | AWG | Part no. with finish Standard: A36 silver plated | Part no. with finish Mod.Code: A176 gold plated | d ₁ | d ₂ | l ₁ ±0,15 | Color Code |
|--------------|------------------|----------------------------|-------|--|---|----------------|----------------|----------------------|------------|
| 10/20 | VG95234P10-002 | 0,5-1,0 | 20/18 | 030-8585-000 | 030-8585-006 | 1,5 +0,05 | 2,4 -0,05 | 28,4 | - |
| | VG95234P10-001 | 0,2-0,4 | 26/22 | 030-8585-010 | - | 0,9 +0,05 | 2,4 -0,05 | 28,4 | blue |
| 15S/16S | VG95234P15S-003 | 0,75-1,5 | 18/16 | 030-8586-000 | 030-8586-006 | 1,75 +0,08 | 2,75 -0,05 | 27,4 | - |
| | VG95234P15S-002 | 0,3-0,6 | 22/20 | 330-8744-000 | 330-8744-006 | 1,2 +0,1 | 2,75 -0,05 | 27,4 | red |
| | VG95234P15S-001 | 0,14-0,38 | 22/26 | 030-8586-010 | - | 0,9 +0,05 | 2,75 -0,05 | 27,4 | blue |
| 15/16 | VG95234P15-003 | 0,75-1,5 | 18/16 | 030-8587-000 | 030-8587-006 | 1,75 +0,08 | 2,75 -0,05 | 31,4 | - |
| | VG95234P15-002 | 0,3-0,6 | 22/20 | 330-8659-000 | 330-8659-006 | 1,2 +0,1 | 2,75 -0,05 | 31,4 | red |
| | VG95234P15-001 | 0,14-0,38 | 22/26 | 030-8587-030 | 030-8587-036 | 0,9 +0,05 | 2,75 -0,05 | 31,4 | blue |
| 25/12 | VG95234P25-002 | 2,0-3,0 | 14/12 | 030-8588-000 | 030-8588-006 | 2,5 +0,1 | 3,8 -0,1 | 37,0 | - |
| | VG95234P25-001 | 0,75-1,5 | 18/16 | 030-8588-010 | 030-8588-016 | 1,75 +0,08 | 3,4 -0,1 | 37,0 | black |
| | | 4,0 | - | - | 030-8588-054 | - | 2,8 +0,1 | 3,8 -0,1 | 37,0 |
| 60/100/8 | VG95234P8-001 | - | 8 | 030-8612-000 | 030-8612-006 | 4,55 +0,1 | 6,8 -0,1 | 39,6 | - |
| | VG95234P60-002 | 6,0 | 10 | 030-8589-000 | - | 3,5 +0,1 | 6,8 -0,1 | 39,6 | yellow |
| | VG95234P100-001 | 10,0 | - | 030-8590-000 | - | 4,8 +0,1 | 6,8 -0,1 | 39,6 | - |
| | VG95234P60-001 | 2,0-3,0 | 14/12 | 030-8612-010 | - | 2,5 +0,05 | 6,8 -0,1 | 39,6 | green |
| 160/4 | VG95234P4-001 | - | 4 | 030-8613-000 | - | 7,1 +0,15 | 9,55 -0,1 | 39,6 | - |
| | VG95234P160-002 | 16,0 | - | 030-8591-000 | - | 6,2 +0,15 | 9,55 -0,1 | 39,6 | - |
| | | 10,0 | - | 030-8591-020 | - | 4,8 +0,1 | 9,55 -0,1 | 39,6 | - |
| | VG95234P160-001 | - | 6 | 030-8613-010 | - | 5,7 +0,1 | 9,55 -0,1 | 39,6 | brown |
| 500/0 | VG95234P0-001 | - | 0 | 030-8614-000 | - | 11,5 +0,15 | 14,35 -0,1 | 41,0 | - |
| | VG95234P500-003 | 50,0 | - | 030-8592-000 | - | 10,7 +0,15 | 14,35 -0,1 | 41,0 | - |
| | VG95234P500-001 | 25,0 | 4 | 030-8614-010 | - | 7,6 +0,15 | 14,35 -0,1 | 41,0 | white |
| | VG95234P500-002 | 35,0 | 2 | 030-8614-020 | - | 9,1 +0,15 | 14,35 -0,1 | 41,0 | grey |
| | | 16,0 | - | 030-8614-030 | - | 6,2 +0,15 | 14,35 -0,1 | 41,0 | - |



Dimensions shown in inches (mm)
Specifications and dimensions subject to change

www.ittcannon.com

Cannon VG/CA-Bayonet

Contacts



A

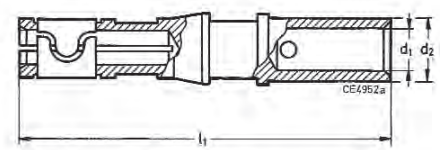
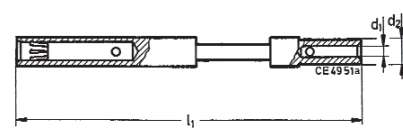
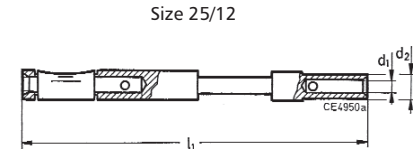
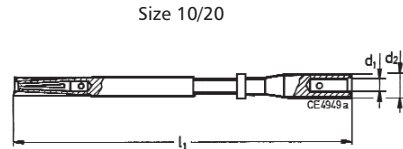
Circular

Standard contacts and contacts with reduced termination diameter

Socket contacts

Finish

- A36** – 5 m silver plated and passivated
- A176** – 2 m nickel plated, min. 0,5 m gold plated



| Contact size | VG95234 Part no. | Wire size mm ² | AWG | Part no. with finish Standard: A36 silver plated | Part no. with finish Mod.Code A176 gold plated | d ₁ | d ₂ | l ₁ ±0,2 | Color Code |
|--------------|------------------|---------------------------|-------|--|--|----------------|----------------|---------------------|------------|
| 10/20 | VG95234S10-002 | 0,5-1,0 | 20/18 | 031-8554-000 | 031-8554-006 | 1,5 +0,05 | 2,4 -0,05 | 36,8±0,3 | – |
| | VG95234S10-001 | 0,2-0,4 | 26/22 | 031-8554-010 | – | 0,9 +0,05 | 2,4 -0,05 | 36,8±0,3 | blue |
| 15S/16S | VG95234S15S-003 | 0,75-1,5 | 18/16 | 031-8555-110 | 031-8555-115 | 1,75 +0,08 | 2,75 -0,05 | 29,1 | – |
| | VG95234S15S-002 | 0,3-0,6 | 22/20 | 031-8688-110 | 031-8688-115 | 1,20 +0,1 | 2,75 -0,05 | 29,1 | red |
| | VG95234S15S-001 | 0,14-0,38 | 22/26 | 031-8555-130 | – | 0,90 +0,05 | 2,75 -0,05 | 29,1 | blue |
| 15/16 | VG95234S15-003 | 0,75-1,5 | 18/16 | 031-8556-110 | 031-8556-115 | 1,75 +0,08 | 2,75 -0,05 | 37,8 | – |
| | VG95234S15-002 | 0,3-0,6 | 22/20 | 031-8639-120 | 031-8639-115 | 1,2 +0,1 | 2,75 -0,05 | 37,8 | red |
| | VG95234S15-001 | 0,14-0,38 | 22/26 | 031-8556-130 | – | 0,9 +0,05 | 2,75 -0,05 | 37,8 | blue |
| 25/12 | VG95234S25-002 | 2,0-3,0 | 14/12 | 031-8557-000 | 031-8557-006 | 2,5 +0,1 | 3,8 -0,1 | 37,0 | – |
| | VG95234S25-001 | 0,75-1,5 | 18/16 | 031-8557-020 | 031-8557-026 | 1,75 +0,08 | 3,4 -0,1 | 37,0 | black |
| | | 4,0 | – | 031-8557-010 | – | 2,8 +0,1 | 3,8 -0,1 | 37,0 | – |
| | | 0,3-0,6 | 22/20 | 031-8557-040 | – | 1,2 +0,1 | 2,75 -0,1 | 37,0 | – |
| 60/100/8 | VG95234S8-001 | – | 8 | 031-8519-000 | 031-8519-006 | 4,55 +0,1 | 6,8 -0,1 | 40,1 | – |
| | VG95234S60-002 | 6,0 | 10 | 031-8558-000 | – | 3,5 +0,1 | 6,8 -0,1 | 40,1 | yellow |
| | VG95234S100-001 | 10,0 | – | 031-8559-000 | – | 4,8 +0,1 | 6,8 -0,1 | 40,1 | – |
| | VG95234S60-001 | 2,0-3,0 | 14/12 | 031-8519-010 | – | 2,5 +0,05 | 6,8 -0,1 | 40,1 | green |
| 160/4 | VG95234S4-001 | – | 4 | 031-8520-000 | – | 7,1 +0,15 | 9,55 -0,1 | 40,1 | – |
| | VG95234S160-002 | 16,0 | – | 031-8560-000 | – | 6,2 +0,15 | 9,55 -0,1 | 40,1 | – |
| | | 10,0 | – | 031-8560-020 | – | 4,8 +0,1 | 9,55 -0,1 | 40,1 | – |
| | VG95234S160-001 | – | 6 | 031-8520-010 | – | 5,7 +0,15 | 9,55 -0,1 | 40,1 | brown |
| 500/0 | VG95234S0-001 | – | 0 | 031-8521-000 | – | 11,5 +0,15 | 14,35 -0,1 | 41,6 | – |
| | VG95234S500-003 | 50,0 | – | 031-8561-000 | – | 10,7 +0,15 | 14,35 -0,1 | 41,6 | – |
| | VG95234S500-001 | 25,0 | 4 | 031-8521-010 | – | 7,6 +0,15 | 14,35 -0,1 | 41,6 | white |
| | VG95234S500-002 | 35,0 | 2 | 031-8521-020 | – | 9,1 +0,15 | 14,35 -0,1 | 41,6 | grey |
| | | 16,0 | – | 031-8521-030 | – | 6,2 +0,15 | 14,35 -0,1 | 41,6 | – |

Dimensions shown in inches (mm)
Specifications and dimensions subject to change

www.ittcannon.com



Cannon VG/CA-Bayonet

Contacts



A

Circular

Termination Tools

for pin and socket contacts according VG95234 and for Cannon contacts with reduced termination size.

| Contact size | Wire size | | Hand crimp tool Type | Crimp die for M22520-1-01 | Pneumatic crimp tool ¹⁾ | | Description | Turret for pneumatic crimp tool |
|--------------|-----------------|---------|---|----------------------------|------------------------------------|---------------------------------|---------------------------------|---------------------------------|
| | mm ² | AWG | | | Standard type* | Order Number | | |
| 10/20 | 0,2 – 1,0 | 20 – 24 | M22520-1-01 Hand crimp tool (eight indent crimp) Order Number 995-0001-585 | 600 325 600 325 | WA27F-CE | 121586-5067 | pneumatic crimp tool (AWG12-20) | 608 325 608 325 |
| 15S/16S | 0,14 – 1,5 | 16 – 26 | | TH 452 TH 452 | WA22-CE | 121586-5070 | pneumatic crimp tool (AWG20-32) | TH 452 TH 452 |
| 15/16 | 0,14 – 1,5 | 16 – 26 | | TH 452 TH 452 | BM-2 | 121586-5068 | Bench mount | TH 452 TH 452 |
| 25/12 | 0,75 – 4,0 | 12 – 18 | | TH 452 TH 452 TH 452 | WA10 M22520-3-1 | 121586-5069 995-0001-684 | Foot pedal Gauge | TH 452 TH 452 TH 452 |

| Contact size | Wire size mm ² | AWG | Hydraulic basic equipment | Crimp tool (2 of each required) hex Crimp die | Wrench # | Crimp Locator |
|--------------|---------------------------|--------|---|---|----------|---|
| 60/8 100/ | 10,0 – 2,0 | 8 – 14 | Electro-hydraulic tool * HK12EL (order number: 121586-5075) Alternative | CT 121586-5231 Label: 01 | 5,2 mm | Optional device to be mounted on left hand crimp tools CT121586-5232 |
| 160/4 | 16,0 – 10,0 | 4 – 6 | Hand operated hydraulic tool HK120 (order number: 121586-5077) | CT 121586-5230 Label: 02 | 7,25 mm | |
| 500/0 | 50,0 – 16,0 | 0 – 4 | | CT 121586-5229 Label: 03 | 11,40 mm | |

To insert the socket contact of size 15S/16S, 15/16/25 and 12, the following guiding pins are essential:

| Part Nr. | Contact size AWG | metric |
|--------------|------------------|--------|
| 226-1017-000 | 16S/16 | 15S/15 |
| 226-1018-000 | 12 | 25 |

Order #s for Insertion Tools:

| for contact size | Insertion tool | Insertion pliers |
|------------------|----------------|------------------|
| 10 | CIT-20* | CIT-F80-20 |
| 15S/16S/15/16 | CIT-16* | CIT-F80-16 |
| 25/12 | CIT-12* | CIT-F80-12 |
| 60/100/8 | CIT-8* | |
| 160/4 | CIT-4* | |
| 500/0 | CIT-0* | |

Order #s for Extraction Tools:

| for contact size | Extraction tool |
|------------------|-----------------|
| 10 | CET-F80-20* |
| 15S/16S/15/16 | CET-F80-16* |
| 25/12 | CET-F80-12* |
| 60/100/8 | CET-8* |
| 160/4 | CET-4* |
| 500/0 | CET-0* |

Insertion Tool Kit CIT-F80-Kit (Contains full set of all #, plus handle)

Extraction Tool Kit CET-F80-Kit (Contains full set of all #, plus handle)

Notes

- For large series production, semi-automatic crimp machine Type HACS-IV-MSXX upon request
- For insertion and extraction of the contacts and for connector assembly, see Assembly Instructions MIL-C-5015/VG95234
- Standard contacts acc. to MIL-C-5015/VG95234

* Datasheet available upon request



Dimensions shown in inches (mm)
Specifications and dimensions subject to change

www.ittcannon.com

Looking for pricing, stock, or lifecycle information?

Click below to explore more details on WIN SOURCE:

- [⊖ View VG95234J1321S1N on WIN SOURCE](#)
- [⊖ ITT Cannon, LLC Information](#)

Optimize Your Supply Chain with WIN SOURCE Solutions

- ✓ Global Sourcing Solution
- ✓ Obsolete Management
- ✓ Cost Control Management
- ✓ Shortage Management
- ✓ Alternative Solution
- ✓ Excess Inventory Management