

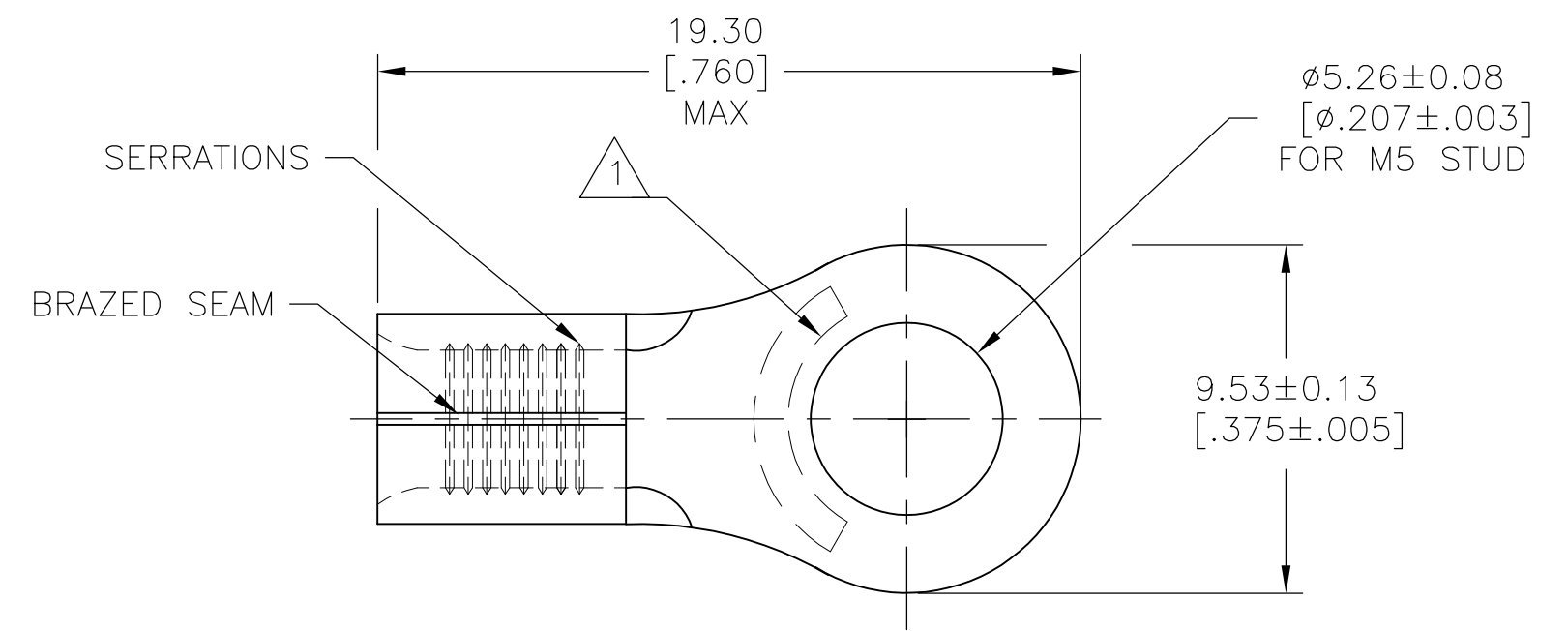


**THE DATASHEET OF**  
**130191**

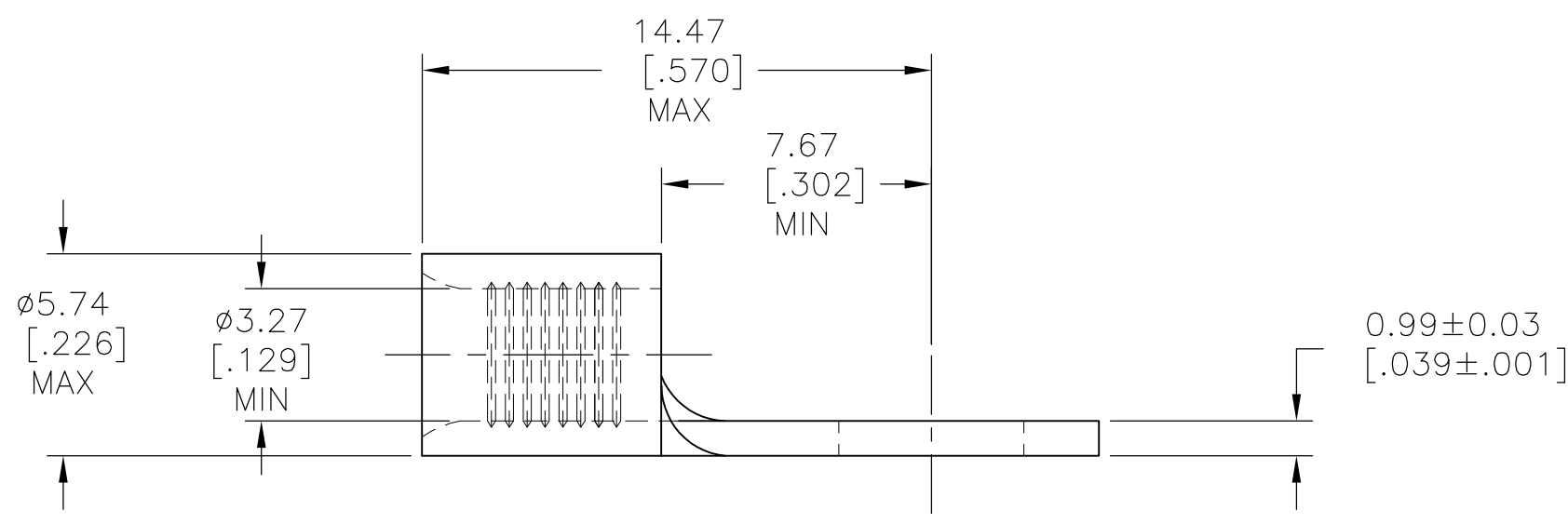


THIS DRAWING IS UNPUBLISHED. RELEASED FOR PUBLICATION  
 © COPYRIGHT - By - ALL RIGHTS RESERVED.

LOC	DIST	REVISIONS					
		P	LTR	DESCRIPTION	DATE	DWN	APVD
-	-		A1	REDRAWN PER ECO-12-018155	30JAN13	KH	DR



- 1 STAMP AMP 12-10\* APPROX AS SHOWN
- 2 MATERIAL: COPPER PER ASTM B152
- 3 FINISH: TIN PLATE PER ASTM B545



1000	LOOSE PIECE	130191
QTY	PACKAGE TYPE	PART NO

**AMP INCORPORATED**  
**CUSTOMER SERVICE SYSTEMS**

FOR ADDITIONAL PRODUCT INFORMATION OR COPIES OF DRAWINGS AND TECHNICAL DOCUMENTS  
 PRODUCT INFORMATION CENTER  
 1-800-522-6752

FOR APPLICATION TOOLING INFORMATION  
 TOOLING ASSISTANCE CENTER  
 1-800-722-1111

FOR ORDER ENTRY  
 1-800-526-5142

MAX RECOMMENDED OPERATING TEMPERATURE:  
 170°C [338°F] MAX

VOLTAGE RATING:  
 N/A

WIRE:  
 2.62-6.64mm<sup>2</sup>[5,180-13,100]  
 CIR MILLS  
 SOLID OR STRANDED

THIS DRAWING IS A CONTROLLED DOCUMENT.

DIMENSIONS: mm [INCHES]

TOLERANCES UNLESS OTHERWISE SPECIFIED:

0 PLC	± -
1 PLC	± -
2 PLC	± -
3 PLC	± -
4 PLC	± -
ANGLES	± -

MATERIAL 2 FINISH 3

DWN KIRAN HOLAL 30JAN13  
 CHK ROHDE DANIEL 30JAN13  
 APVD ROHDE DANIEL 30JAN13

**STE** TE Connectivity

NAME: TERMINAL, RING TONGUE, SOLISTRAND, 12-10 AWG

PRODUCT SPEC: -  
 APPLICATION SPEC: -


SIZE: A3 CAGE CODE: 00779 DRAWING NO: C-130191 RESTRICTED TO: -

WEIGHT: -

CUSTOMER DRAWING SCALE: 5:1 SHEET: 1 OF 1 REV: A1

## Looking for pricing, stock, or lifecycle information?

Click below to explore more details on WIN SOURCE:

 [View 130191](#) on WIN SOURCE

 [TE Connectivity](#) Information

## Optimize Your Supply Chain with WIN SOURCE Solutions

-  Global Sourcing Solution
-  Obsolete Management
-  Cost Control Management
-  Shortage Management
-  Alternative Solution
-  Excess Inventory Management