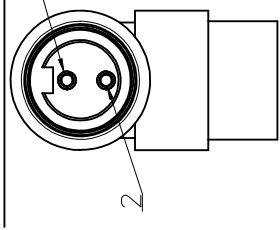




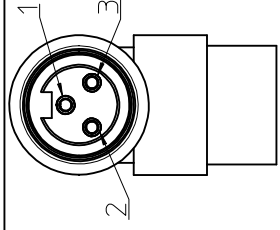
THE DATASHEET OF
1300130184



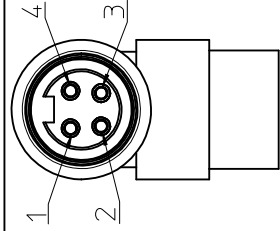
FACE VIEW - FEMALE
SCALE 1.5 : 1



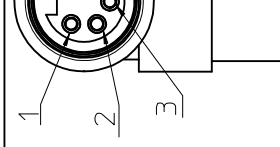
- 1 WHITE
- 2 BLACK



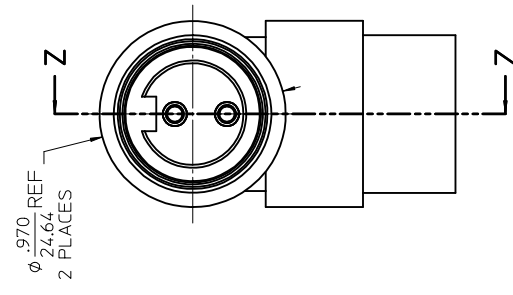
- 1 GREEN/YELLOW
- 2 BLACK
- 3 WHITE



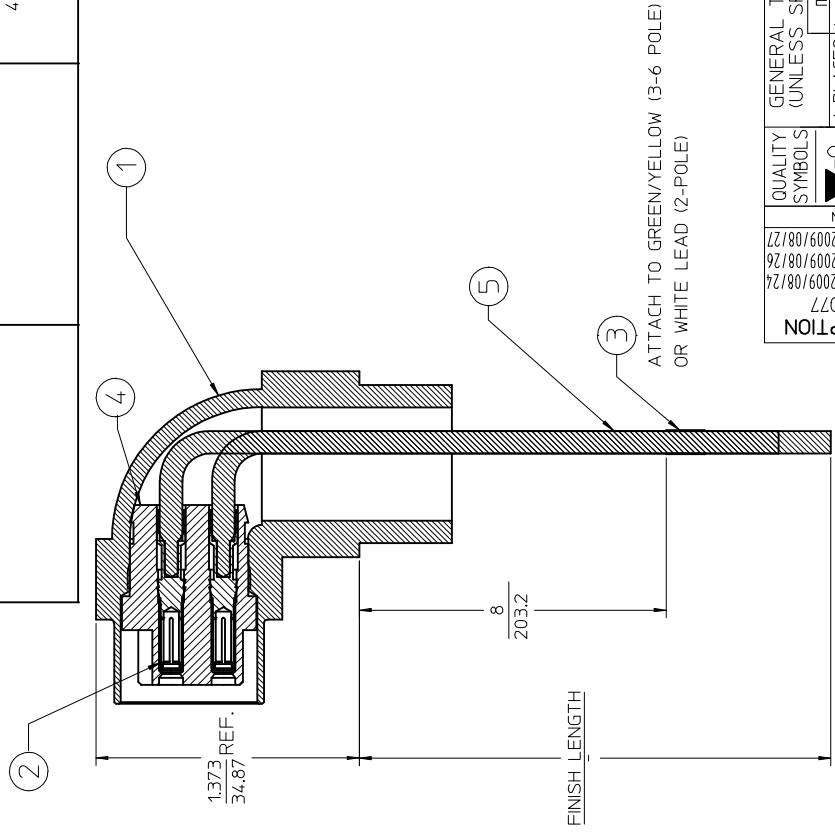
- 1 BLACK
- 2 WHITE
- 3 RED
- 4 GREEN/YELLOW



- 1 WHITE
- 2 RED
- 3 GREEN
- 4 ORANGE
- 5 BLACK



MALE INSERT
FRONT VIEW



SECTION Z-Z

ENTER DESCRIPTION	DESCRIPTION
EC NO: WNA2010-0077	DRW:ANKUMAR01 2009/08/24
	CHKD: 2009/08/26
	APP: JFMURPHY 2009/08/27

QUALITY SYMBOLS	GENERAL TOLERANCES (UNLESS SPECIFIED)	DIMENSION STYLE
$\blacktriangledown=0$	mm ±	IN/MM
$\nabla=0$	INCH ±	
	4 PLACES ±	DRAWN BY DATE
	3 PLACES ±	NKUMAR01 21/08/09
	2 PLACES ±	CHECKED BY DATE
	1 PLACE ±	BWOODMAN 21/08/09
	ANGULAR ±1/2°	APPROVED BY DATE
		JFMURPHY 2009/08/26
		MATERIAL NO.
		SEE SHEET 2
		THIS DRAWING CONTAINS INCORPORATED AND S

FEMALE 90° RECEPTACLE			
2 POLE	3 POLE	4 POLE	QUANTITY
1	1	1	1
2	3	4	4
1	1	1	1
2	3	4	4

Sl. No.	DESCRIPTION	MATERIAL	FINISH
1	MC RIGHT ANGEL_SHELL_90DEG	ZINC DIECAST	BLACK E-COAT
2	SOCKET SLEEVE - TUBE	STAINLESS STEEL	PASSIVATED
3	LABEL	PLASTIC FILM	BLACK/YELLOW
	SOCKET CONTACT 16AWG	COPPER ALLOY	GOLD PLATED
4	2P MALE INSERT PVC A SIZE	PVC	YELLOW
	3P MALE INSERT PVC A SIZE	PVC	YELLOW
	4P MALE INSERT PVC A SIZE	PVC	YELLOW
	5P MALE INSERT PVC A SIZE	PVC	YELLOW
	6P MALE INSERT PVC A SIZE	PVC	YELLOW
	#16-1 WHT PVC WIRE UL1015	PVC JACKET	WHITE
5	#16-1 RED PVC WIRE UL1015	PVC JACKET	RED
	#16-1 ORN PVC WIRE UL1015	PVC JACKET	ORANGE
	#16-1 GRN/YEL PVC WIRE UL1015	PVC JACKET	GREEN/YELLOW
	#16-1 BLU PVC WIRE UL1015	PVC JACKET	BLUE
	#16-1 BLK PVC WIRE UL1015	PVC JACKET	BLACK

PART NUMBER	DESCRIPTION	FINISHED LENGTH
1300130074	1R2005A20A120	12.0" +.75" -0 [0.3M +19.1MM -0]
1300130184	1R3005A20A120	12.0" +.75" -0 [0.3M +19.1MM -0]
1300130337	1R4005A20A120	12.0" +.75" -0 [0.3M +19.1MM -0]
1300130482	1R5005A20A120	12.0" +.75" -0 [0.3M +19.1MM -0]
1300130589	1R6005A20A120	12.0" +.75" -0 [0.3M +19.1MM -0]

POLE COUNT	MAX. VOLTAGE RATING
2 POLE	600 VOLTS
3 POLE	600 VOLTS
4 POLE	600 VOLTS
5 POLE	600 VOLTS
6 POLE	600 VOLTS

QUALITY SYMBOLS 	GENERAL TOLERANCES (UNLESS SPECIFIED) mm ± --- INCH ± --- 4 PLACES ± --- 3 PLACES ± --- 2 PLACES ± --- 1 PLACE ± --- ANGULAR ±1/2°	DIMENSION STYLE IN/MM
ENTER DESCRIPTION EC NO: WNA2010-0077 DRW:NKUMAR01 2009/08/24 CHKD: 2009/08/26 APPR:JFMURPHY 2009/08/27	DRAFT WHERE APPLICABLE MUST REMAIN WITHIN DIMENSIONS	DRAWN BY: NKUMAR01 21/08/09 CHECKED BY: BWOODMAN 21/08/09 APPROVED BY: JFMURPHY 2009/08/26 MATERIAL NO.
SEE TABLE	THIS DRAWING CONTAINS INCORPORATED AND S	SIZE

Looking for pricing, stock, or lifecycle information?

Click below to explore more details on WIN SOURCE:

 [View 1300130184 on WIN SOURCE](#)

 [Molex, LLC Information](#)

Optimize Your Supply Chain with WIN SOURCE Solutions

-  Global Sourcing Solution
-  Obsolete Management
-  Cost Control Management
-  Shortage Management
-  Alternative Solution
-  Excess Inventory Management