

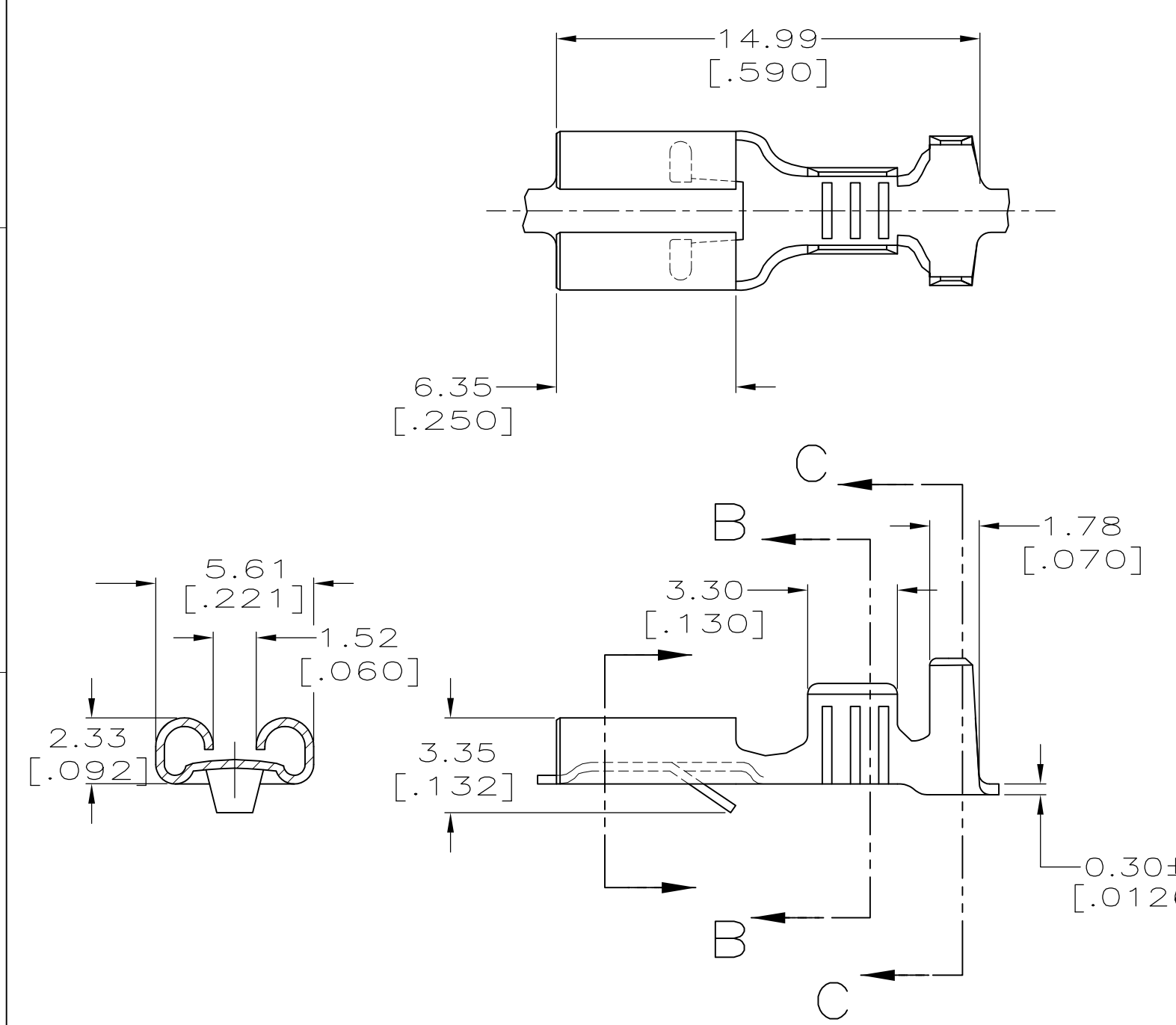


**THE DATASHEET OF**  
**1217150-1**

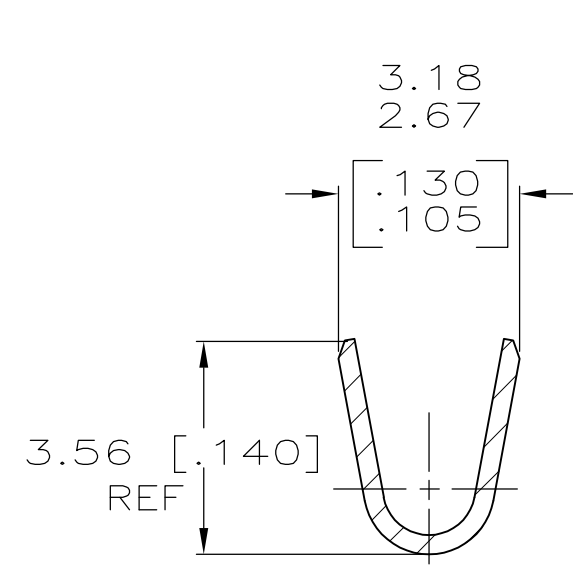


THIS DRAWING IS UNPUBLISHED. RELEASED FOR PUBLICATION  
 © COPYRIGHT - By - ALL RIGHTS RESERVED.

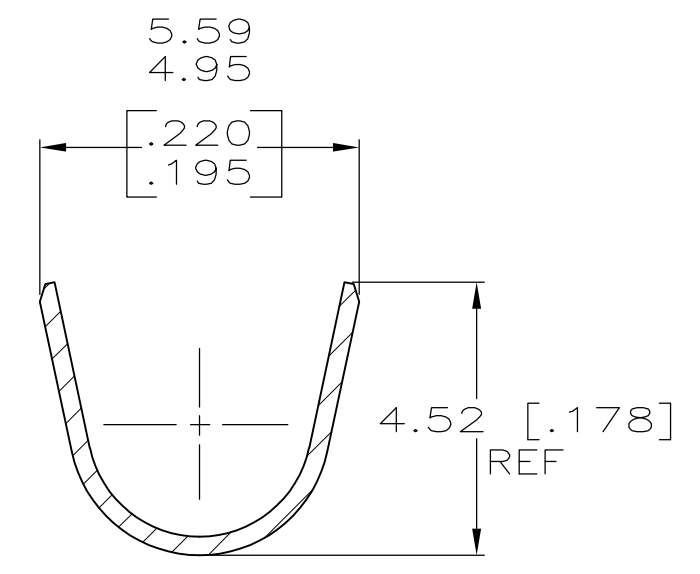
LOC	DIST	REVISIONS			
P	LTR	DESCRIPTION	DATE	DWN	APVD
AF	50	C	REVISED PER ECR-13-005733	22AUG2013	KH PD



- 1 CONTINUOUS STRIP ON REELS.
- 2 WIRE SIZE IS [#18-#14] AWG.
- 3 INSULATION RANGE IS 2.79-4.06 [.110-.160] DIA.
- 4 MATING TAB THK IS 0.51±0.025 [.020±.001]



SECTION B-B  
SCALE 8:1



SECTION C-C  
SCALE 8:1

1217150-1  
PART NO.

THIS DRAWING IS A CONTROLLED DOCUMENT.		DWN	JR RUTH	6MAY99	 TE Connectivity	NAME			RESTRICTED TO				
DIMENSIONS: mm [INCHES]		CHK	MS FEHER	6MAY99		RECEPTACLE, FASTIN-FASTON, 4.75 [.187] SERIES							
TOLERANCES UNLESS OTHERWISE SPECIFIED:		APVD	S HEADER	6MAY99		SIZE	CAGE CODE	DRAWING NO					
0 PLC ± - 1 PLC ± - 2 PLC ± 0.25 [.010] 3 PLC ± - 4 PLC ± - ANGLES ± -		PRODUCT SPEC	A3 00779 C-1217150			SCALE	SHEET	REV					
MATERIAL		FINISH		WEIGHT		CUSTOMER DRAWING		SCALE 5:1		SHEET 1 OF 1		REV C	
BRASS		TIN		-		-		-		-		-	

## Looking for pricing, stock, or lifecycle information?

Click below to explore more details on WIN SOURCE:

 [View 1217150-1](#) on WIN SOURCE

 [TE Connectivity](#) Information

## Optimize Your Supply Chain with WIN SOURCE Solutions

-  Global Sourcing Solution
-  Obsolete Management
-  Cost Control Management
-  Shortage Management
-  Alternative Solution
-  Excess Inventory Management