



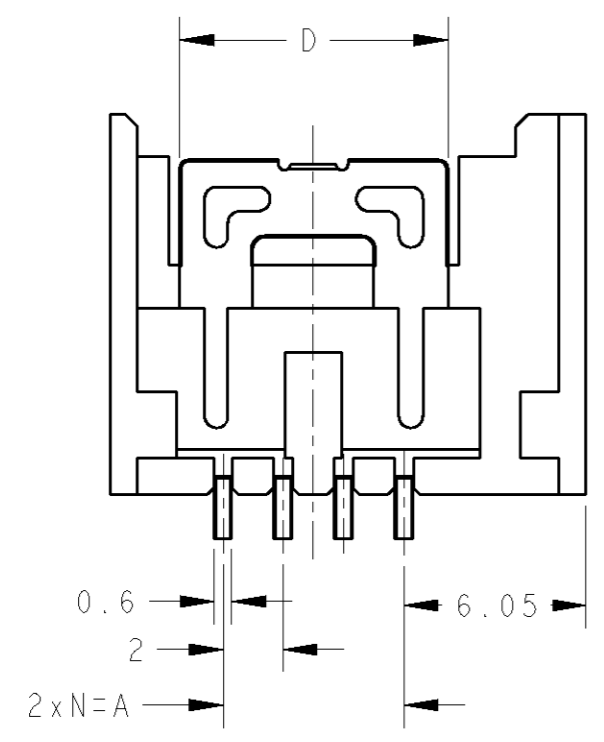
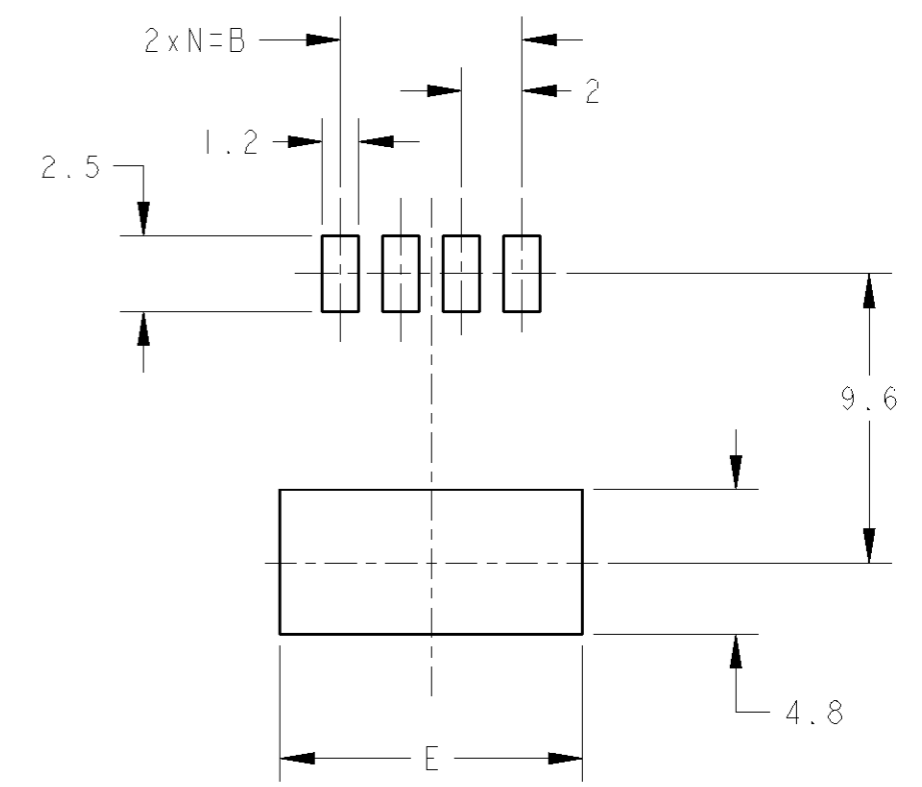
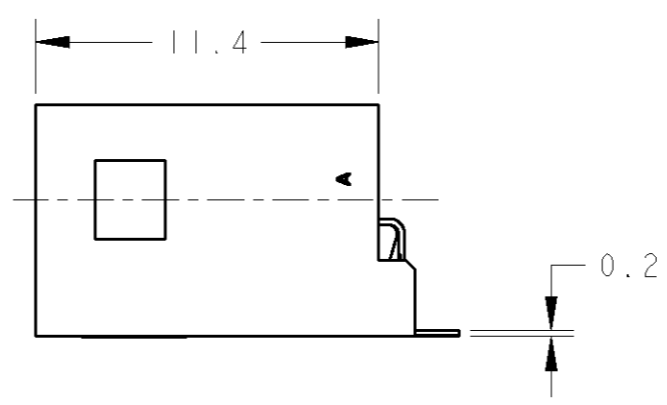
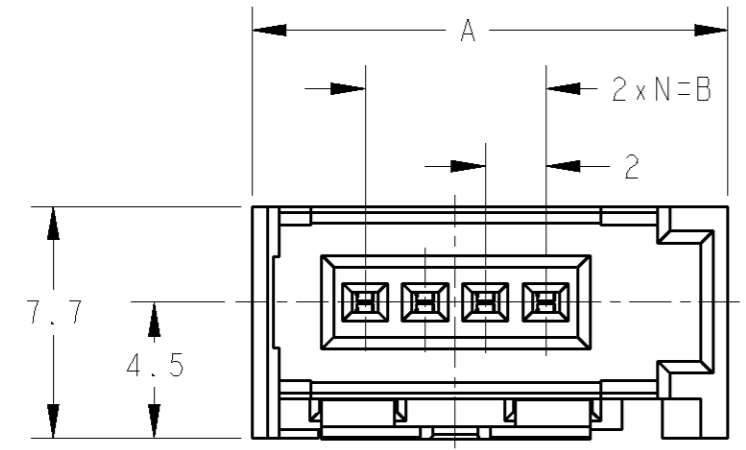
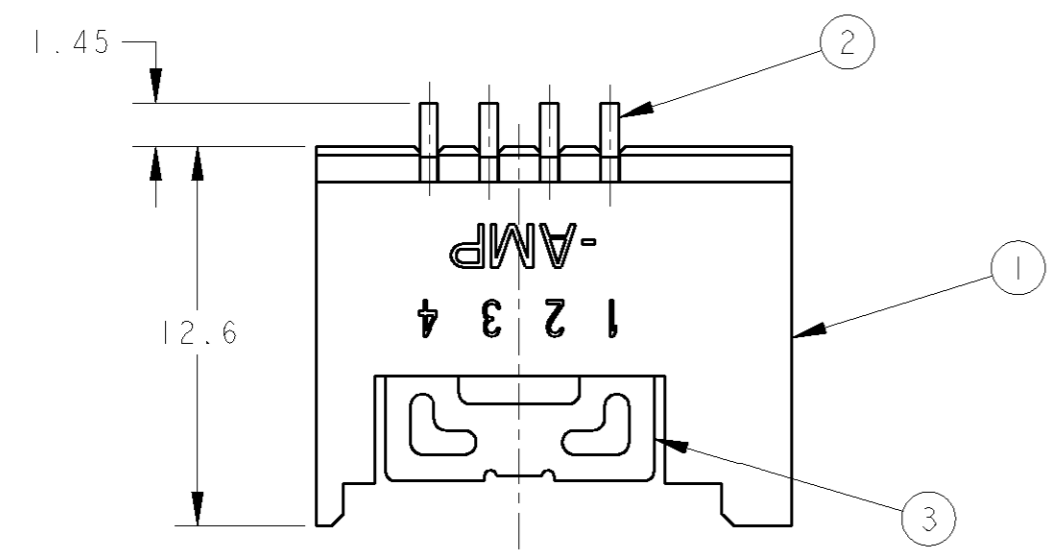
**THE DATASHEET OF**  
**1-1565994-3**





THIS DRAWING IS UNPUBLISHED. RELEASED FOR PUBLICATION  
 © COPYRIGHT ALL RIGHTS RESERVED.

LOC	DIST	REVISIONS					
		P	LTR	DESCRIPTION	DATE	DWN	APVD
J	-	-	-	SEE SHEET 1	-	-	-



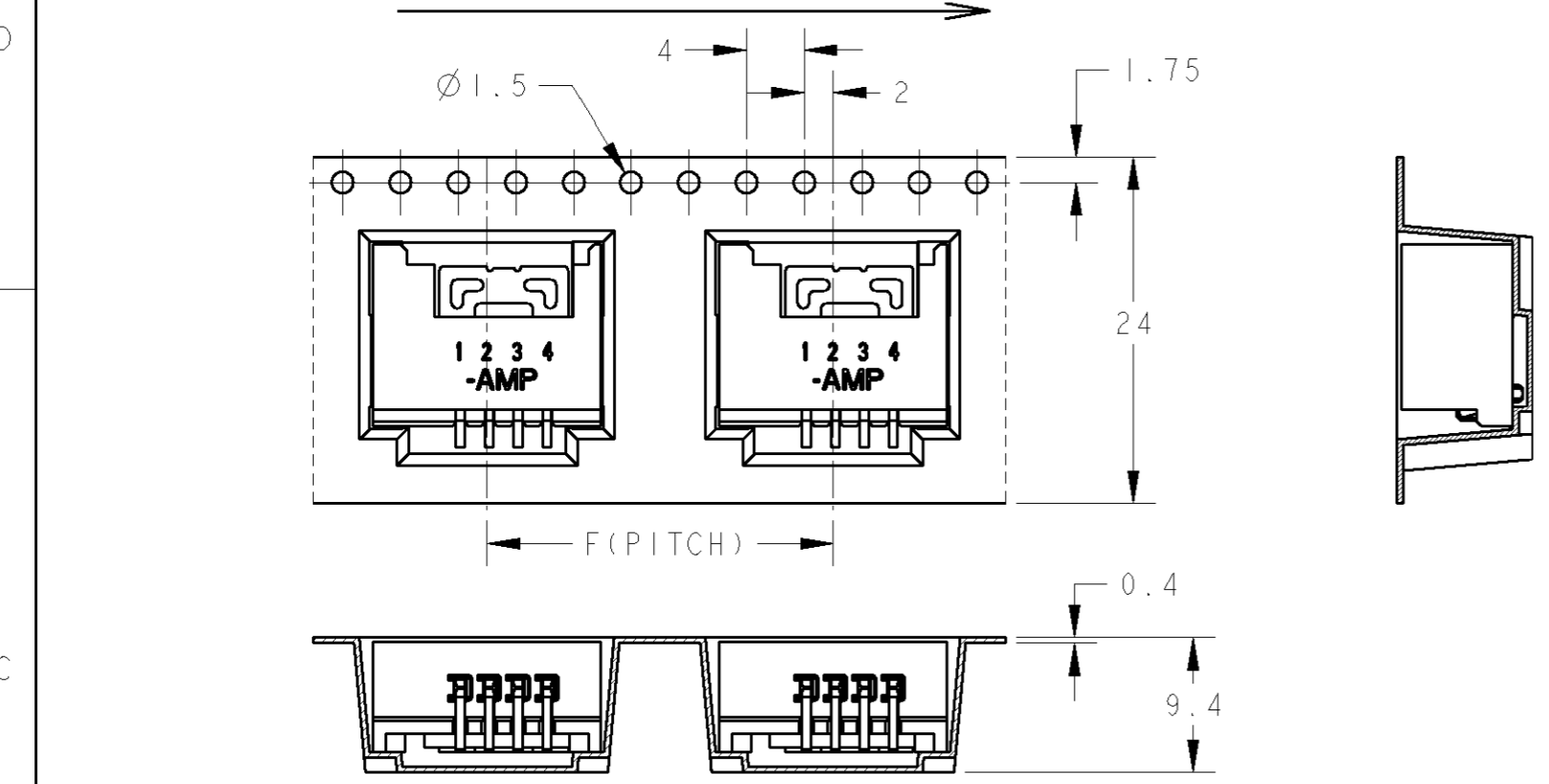
1-1565994-3, 4: AS SHOWN

参考基板寸法 (実装面側)  
 REFERENCE DIMENSION OF PCB (MOUNTING SIDE)

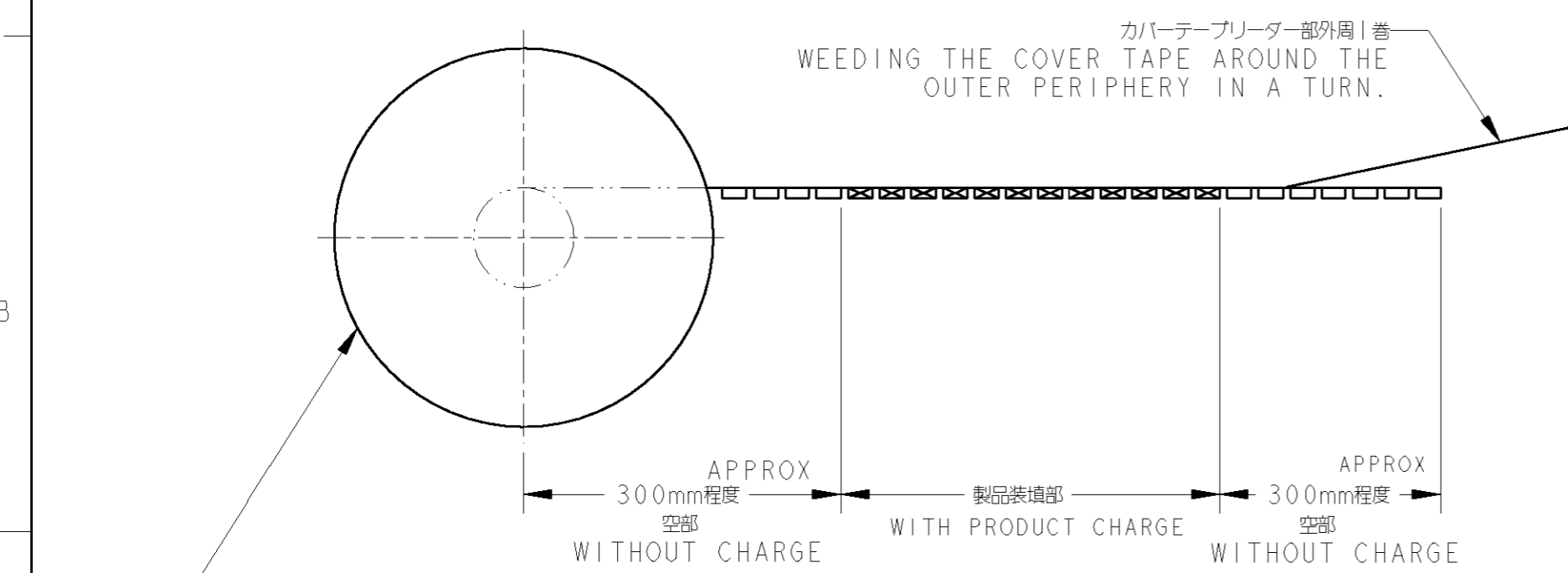
DIMENSIONS: 単位: 毫 mm		TOLERANCES UNLESS OTHERWISE SPECIFIED: 一般公差 ±0.25 0-PLC ± 1-PLC ±0.1 2-PLC ±0.01 3-PLC ±0.001 4-PLC ±0.0001 ANGLES ±3		DWN M. Kimura 18APR2002 CHR Y. KASHIWA 18APR2002 APVD Y. KASHIWA 18APR2002 PRODUCT SPEC 108-5765 APPLICATION SPEC 取付通用規格 - WEIGHT -		<b>STE</b> TE Connectivity	
MATERIAL 材料 -		FINISH 仕上 -		NAME 名称 HDR ASSEMBLY, RIGHT ANGLE SMT TYPE RITS CONNECTOR WITHOUT BOSS		SIZE A3 CAGE CODE 00779 DRAWING NO. 1565994 RESTRICTED TO -	
CUSTOMER DRAWING				SCALE 尺度 4:1		SHEET 2 OF 3 REV P	

THIS DRAWING IS UNPUBLISHED. RELEASED FOR PUBLICATION  
 © COPYRIGHT ALL RIGHTS RESERVED.

LOC	DIST	REVISIONS					
		P	LTR	DESCRIPTION	DATE	DWN	APVD
J	-	-	-	SEE SHEET 1	-	-	-



PACKING STYLE



200	4	24	1-1565994-4
250	3	20	1-1565994-3
200	4	24	1565994-4
250	3	20	1565994-3
QTY	POS	F	PART NO.

REEL SIZE:  
330DIAx80DIA(HUB)x31.5W(25.5W INSIDE)

DIMENSIONS: 単位: 耗 mm  	TOLERANCES UNLESS OTHERWISE SPECIFIED: 一般公差 ±0.3 0-PLC ± 1-PLC ± 2-PLC ± 3-PLC ± 4-PLC ± ANGLES ±3	DWN M. Kimura 18APR2002	TE Connectivity
		CHK Y. KASHIWA 18APR2002	
MATERIAL 材料 -	FINISH 仕上 -	APVD Y. KASHIWA 18APR2002	NAME 名称 HDR ASSEMBLY, RIGHT ANGLE SMT TYPE RITS CONNECTOR EMBOSS ASSY
		PRODUCT SPEC 製品規格 -	
		APPLICATION SPEC 取付適用規格 -	SIZE A3
		WEIGHT -	CAGE CODE 00779
		CUSTOMER DRAWING	DRAWING NO. 1565994
		SCALE 尺度 NONE	RESTRICTED TO -
			SHEET 3 OF 3
			REV P

## Looking for pricing, stock, or lifecycle information?

Click below to explore more details on WIN SOURCE:

 [View 1-1565994-3 on WIN SOURCE](#)

 [TE Connectivity](#) Information

## Optimize Your Supply Chain with WIN SOURCE Solutions

-  Global Sourcing Solution
-  Obsolete Management
-  Cost Control Management
-  Shortage Management
-  Alternative Solution
-  Excess Inventory Management