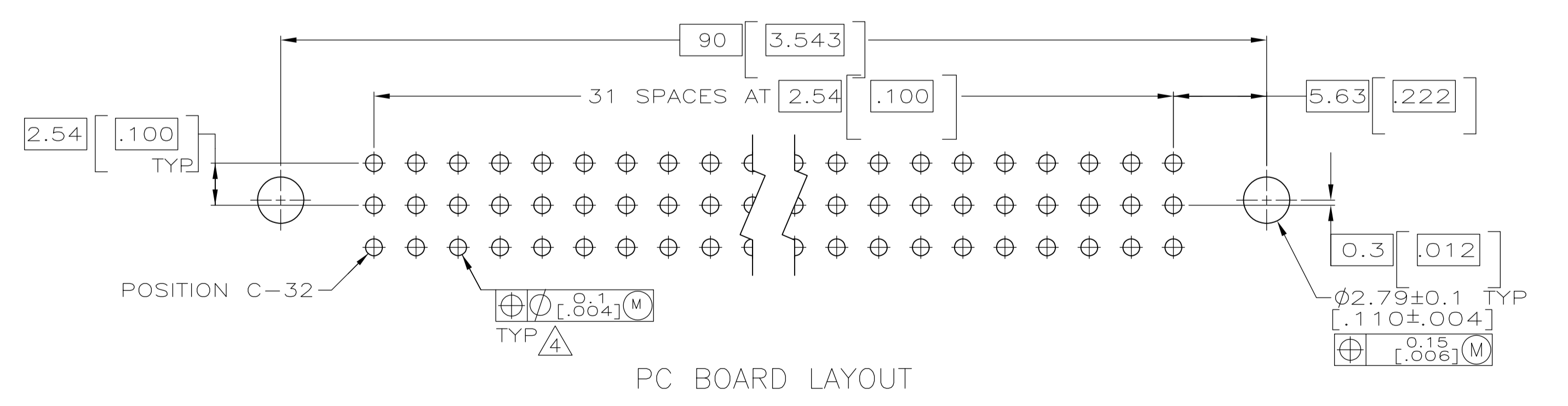
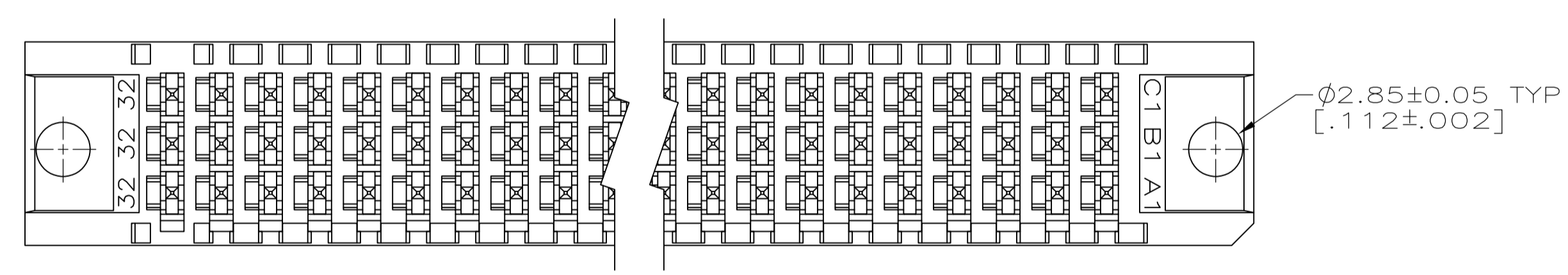
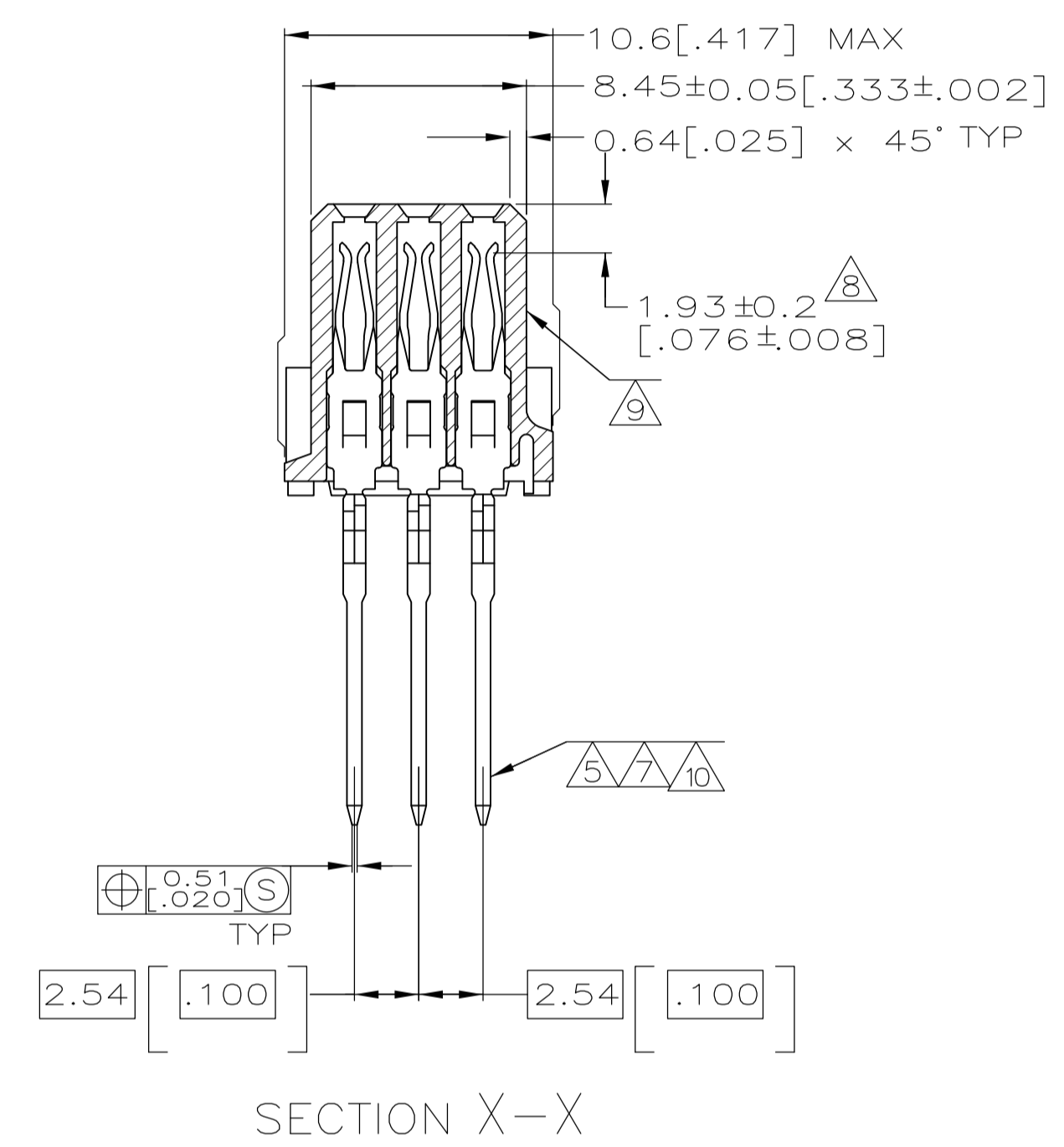
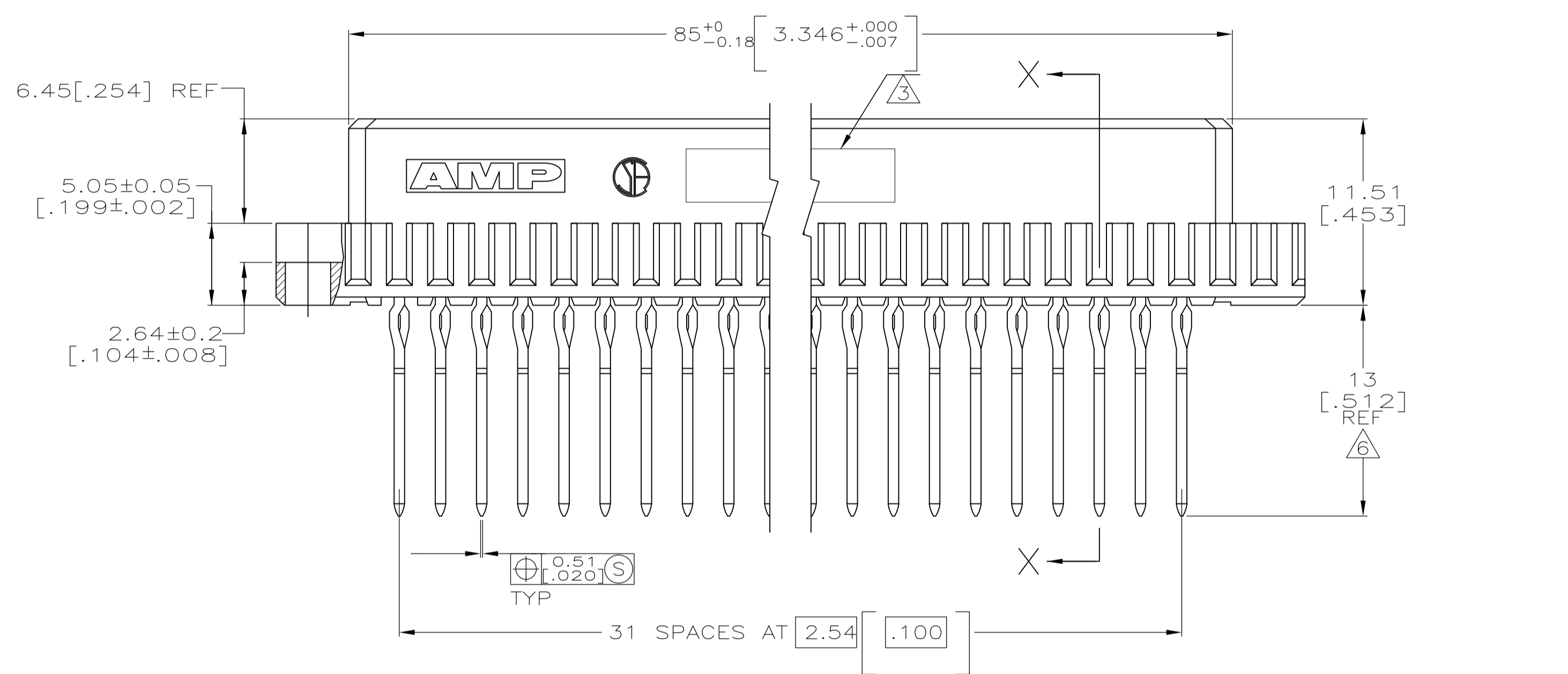
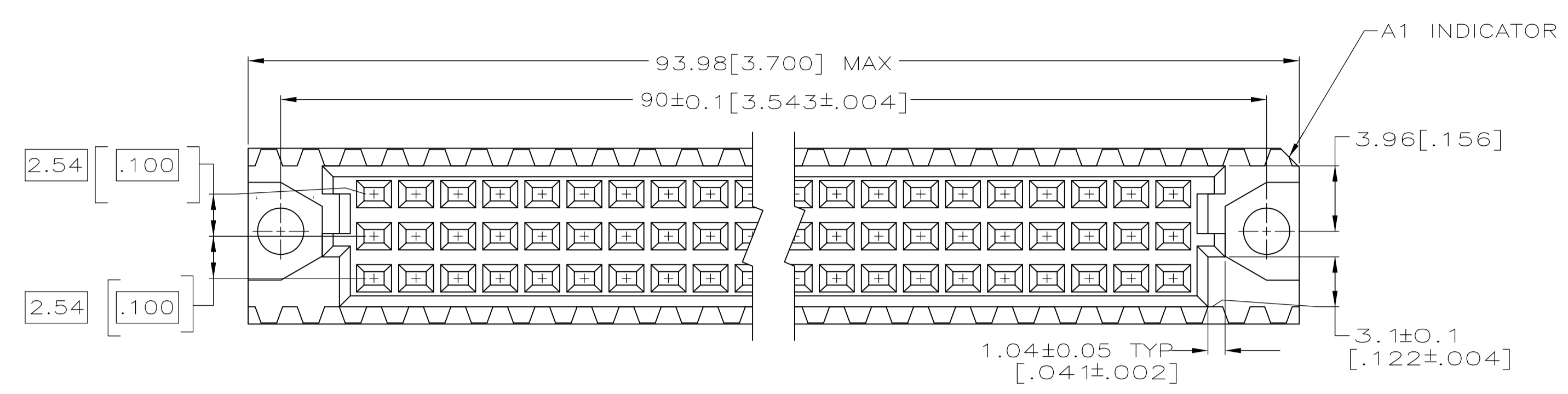




THE DATASHEET OF
1-148057-5



LOC		DIST		REVISIONS			
AD	25	REV	DATE	BY	CHK	APPV	
G1	REVISED PER ECO-11-005301		07MAR11	RK	HMR		



- 1 HOUSING MATERIAL: GLASS-FILLED POLYESTER. COLOR: GRAY.
- 2 CONTACT MATERIAL: PHOSPHOR BRONZE.
- 3 PART NUMBER AND DATE CODE HOT STAMPED IN THIS APPROXIMATE AREA.
- 4 ACTION PIN POSTS REQUIRE 1.57 [0.062] MINIMUM THICK PC BOARD. RECOMMENDED PC BOARD DRILLED HOLES ARE 1.15 ± 0.025 [0.0453 ± 0.010] DIAMETER WITH 0.02 - 0.08 [0.001 - 0.003] COPPER AND 0.008 [0.0003] MINIMUM TIN-LEAD PLATING. FINISHED HOLE AFTER PLATING IS 1.02 ± 0.08 [0.040 ± 0.002] DIAMETER.
- 5 CONTACT FINISH: DIN 41612 CLASS 2 IN CONTACT AREA. TIN-LEAD PLATE ON POSTS.
- 6 TAIL LENGTH AFTER SEATING IN PC BOARD.
- 7 CONTACT FINISH: DIN 41612 CLASS 2 IN CONTACT AREA AND LAST 5.08 [0.200] OF POST.
- 8 CONTACT POINT AFTER SEATED IN PC BOARD.
- 9 HOT STAMPING ON THIS SIDE.
- 10 CONTACT FINISH: 0.00076 [0.00030] GOLD IN CONTACT AREA AND LAST 5.08 [0.200] OF POST. 0.00127 [0.00050] NICKEL UNDERPLATE ALL OVER.

7	1-148057-5
10	1-148057-4
5	148057-5
FINISH	PART NO

THIS DRAWING IS A CONTROLLED DOCUMENT.

DIMENSIONS: mm [INCHES]	TOLERANCES UNLESS OTHERWISE SPECIFIED:	DIN L. BRINER 7/26/94	CHK R. PATTERSON 8/9/94	STE TE Connectivity	
0 PLC ± -	1 PLC ± -	APVD R. PATTERSON	NAME	RECEPTACLE ASSEMBLY, EUROCARD, TYPE C	
2 PLC ± 0.13 [0.005]	3 PLC ± -	PRODUCT SPEC	SIZE	CAGE CODE	DRAWING NO
4 PLC ± -	ANGLES ± -	APPLICATION SPEC	A1	00779	148057
MATERIAL	FINISH	WEIGHT	CUSTOMER DRAWING		RESTRICTED TO
HOUSING: 1	CONTACTS: 2, 3, 4, 5, 6, 7, 8, 9, 10	SCALE	4:1	SHEET	1 OF 1
		REV	G1		

Looking for pricing, stock, or lifecycle information?

Click below to explore more details on WIN SOURCE:

 [View 1-148057-5 on WIN SOURCE](#)

 [TE Connectivity](#) Information

Optimize Your Supply Chain with WIN SOURCE Solutions

-  Global Sourcing Solution
-  Obsolete Management
-  Cost Control Management
-  Shortage Management
-  Alternative Solution
-  Excess Inventory Management