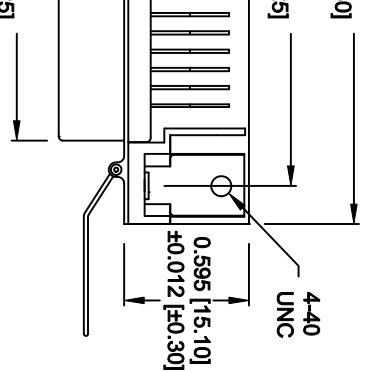




THE DATASHEET OF
112-024-213R001



BOARD MOUNT



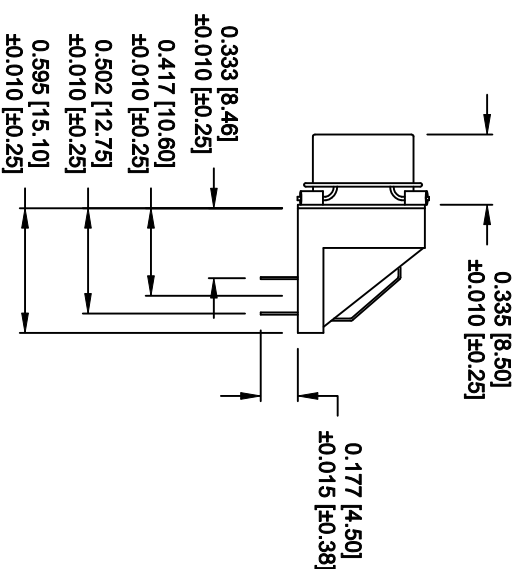
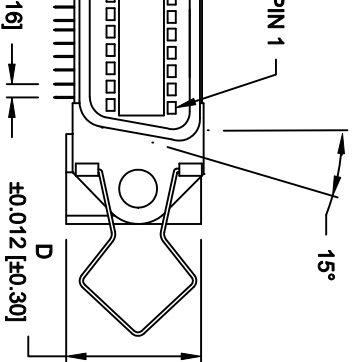
DIMENSIONS				
No. OF PINS	A	B	C	D
01	1.728	1.417	0.992	0.602
14	43.90	36.00	25.20	15.30
24	2.154	1.843	1.417	0.600
	54.70	46.80	36.00	15.25
36	2.667	2.352	1.925	0.600
	67.75	59.74	48.90	15.25
50	3.272	2.947	2.524	0.600
	83.10	74.85	64.10	15.25

MATERIAL:

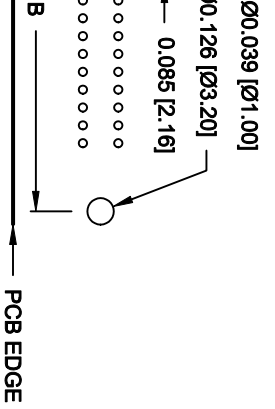
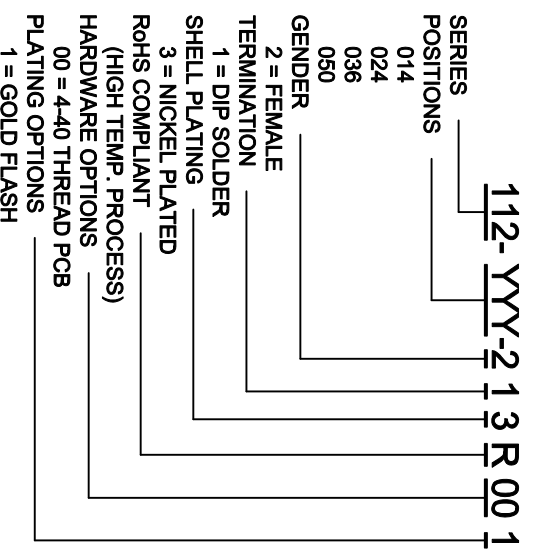
SHELL: COLD ROLLED STEEL,
 NICKEL PLATED
 INSULATOR: PA9T, UL94V-0, BLUE
 CONTACTS: PHOSPHOR BRONZE OR BRASS,
 CONTACT PLATING: GOLD FLASH IN THE MATING
 AREA
 MATTIE TIN IN THE SOLDER AREA

SPECIFICATION:

CURRENT RATING: 1 AMP
 INSULATION RESISTANCE: 1,000 MegOhms min.
 WITHSTANDING VOLTAGE: 1,000VAC FOR 1 MINUTE
 VOLTAGE: 250 VAC max.
 CONTACT RESISTANCE: 30 milliohms max.
 OPERATING TEMPERATURE: -55° C TO 105° C
 INSERTION FORCE: 25 Lb. max.
 WITHDRAWAL FORCE: 2 Lb. min.



DO NOT SCALE FROM DRAWING



PCB LAYOUT



THESE DRAWINGS AND SPECIFICATIONS ARE THE PROPERTY OF NorComp AND SHALL NOT BE REPRODUCED, COPIED OR USED AS THE BASIS FOR THE MANUFACTURE OR SALE OF APPARATUS WITHOUT WRITTEN PERMISSION.

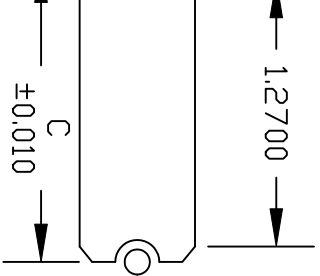
IMPLIANT

NorComp

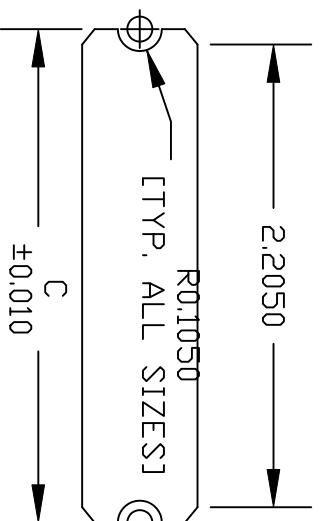
DRAWN: WAYNE ROBBINS	DATE: 9-15-05	
CHECKED:	DATE:	
SCALE: 1:1	SHEET 1 OF 2	REV 7
DWG NO. 112-YYY-213R001		

CUT

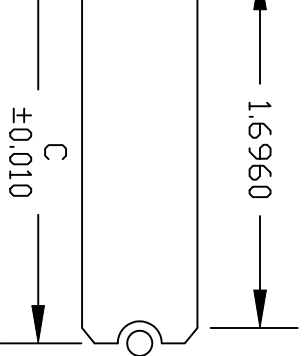
	014	024	036	050
C	1.417	1.843	2.352	2.947
	36.00	46.80	59.74	74.85



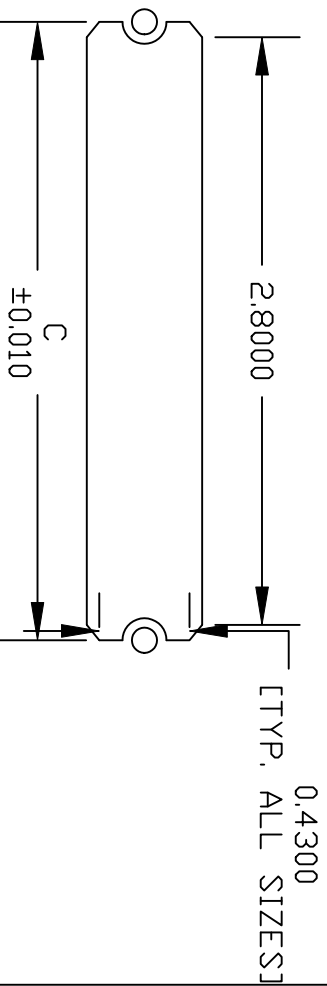
14 POSITION



36 POSITION



24 POSITION



50 POSITION

DO NOT SCALE FROM DRAWING



THESE DRAWINGS AND SPECIFICATIONS ARE THE PROPERTY OF NorComp AND SHALL NOT BE REPRODUCED, COPIED OR USED AS THE BASIS FOR THE MANUFACTURE OF SALE OF APPARATUS WITHOUT WRITTEN PERMISSION.

DRAWN: M. SIGMON DATE: 01-14-11

CHECKED: DATE:

SCALE: NONE SHEET 2 OF 2 REV 7

OF MOUNTING HOLES
CUTOUT

IMPLIANT

NorComp

DWG NO. 112-YY-213R001

Looking for pricing, stock, or lifecycle information?

Click below to explore more details on WIN SOURCE:

 [View 112-024-213R001 on WIN SOURCE](#)

 [NorComp Inc. Information](#)

Optimize Your Supply Chain with WIN SOURCE Solutions

-  Global Sourcing Solution
-  Obsolete Management
-  Cost Control Management
-  Shortage Management
-  Alternative Solution
-  Excess Inventory Management