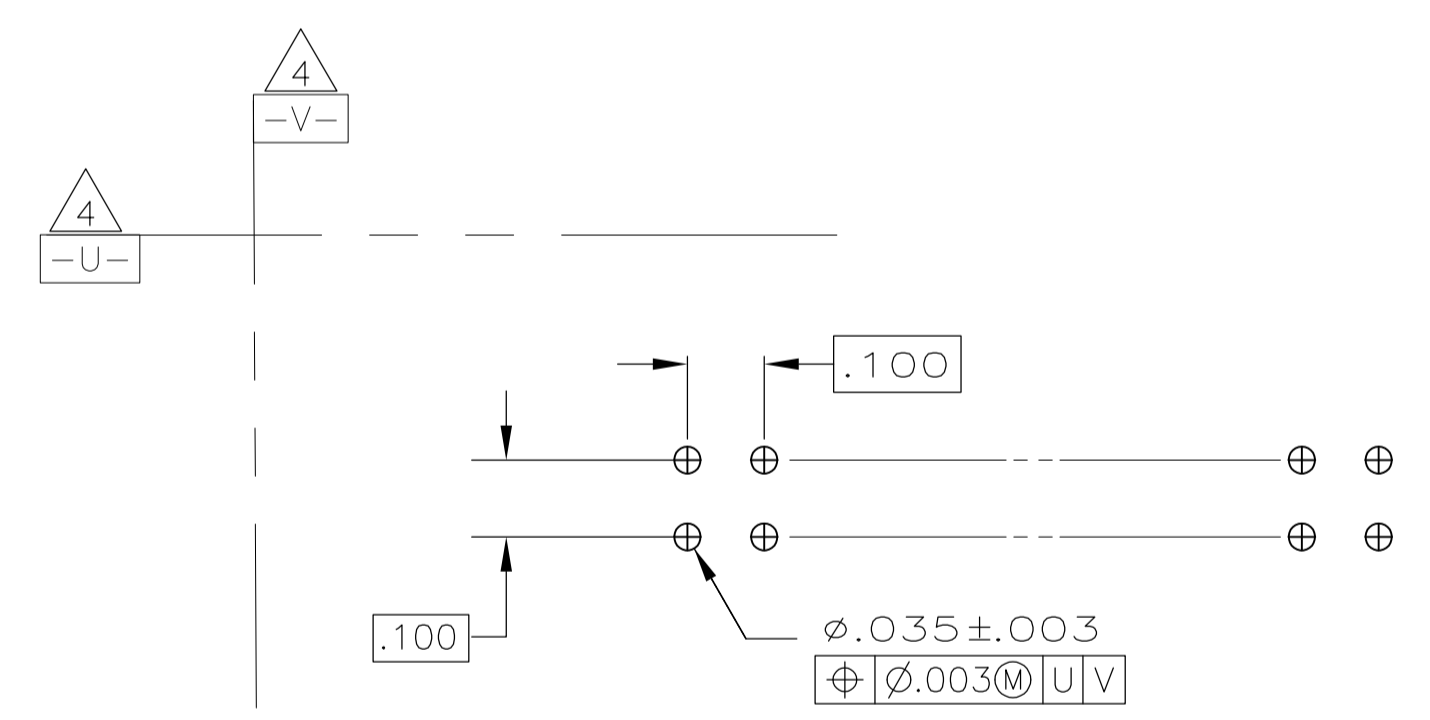
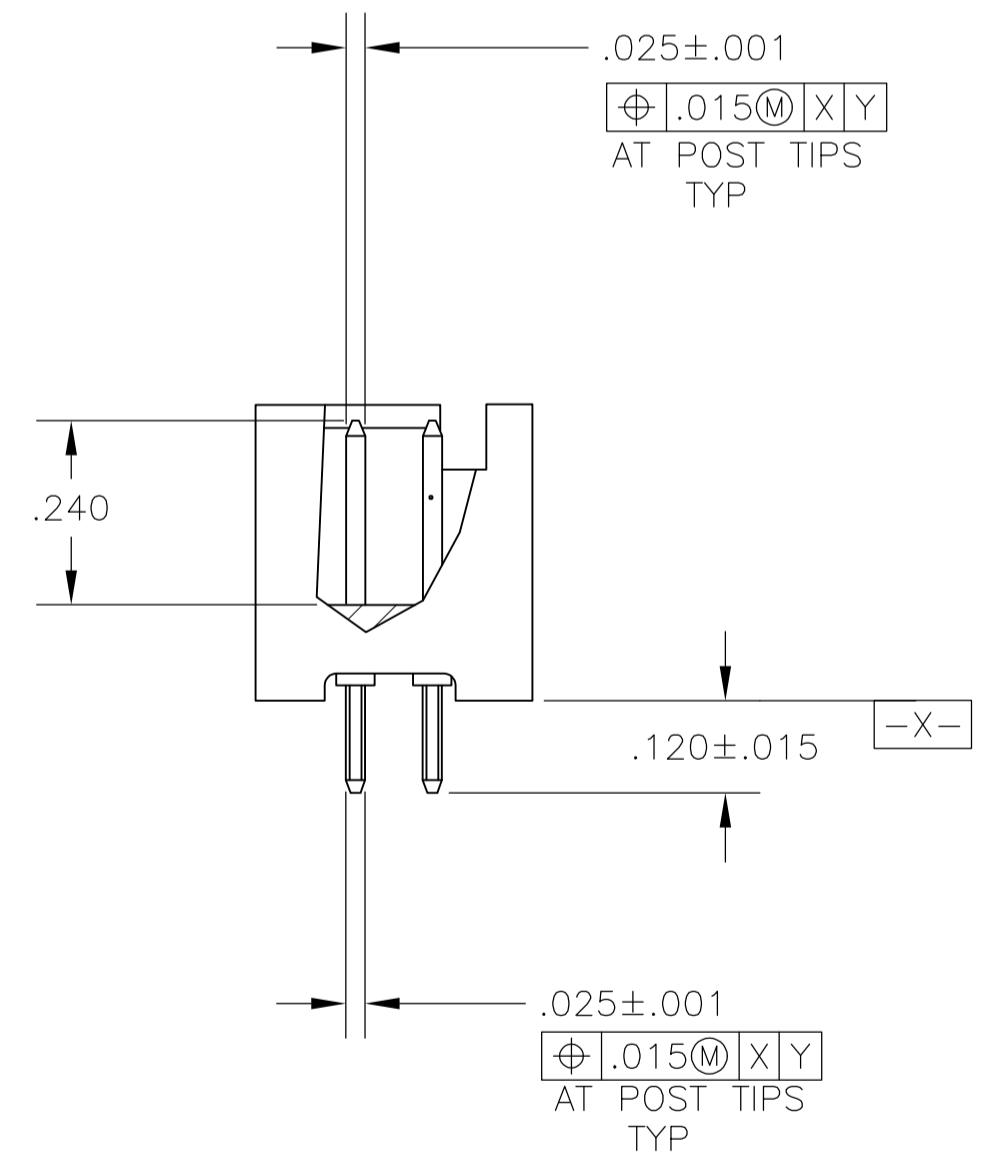
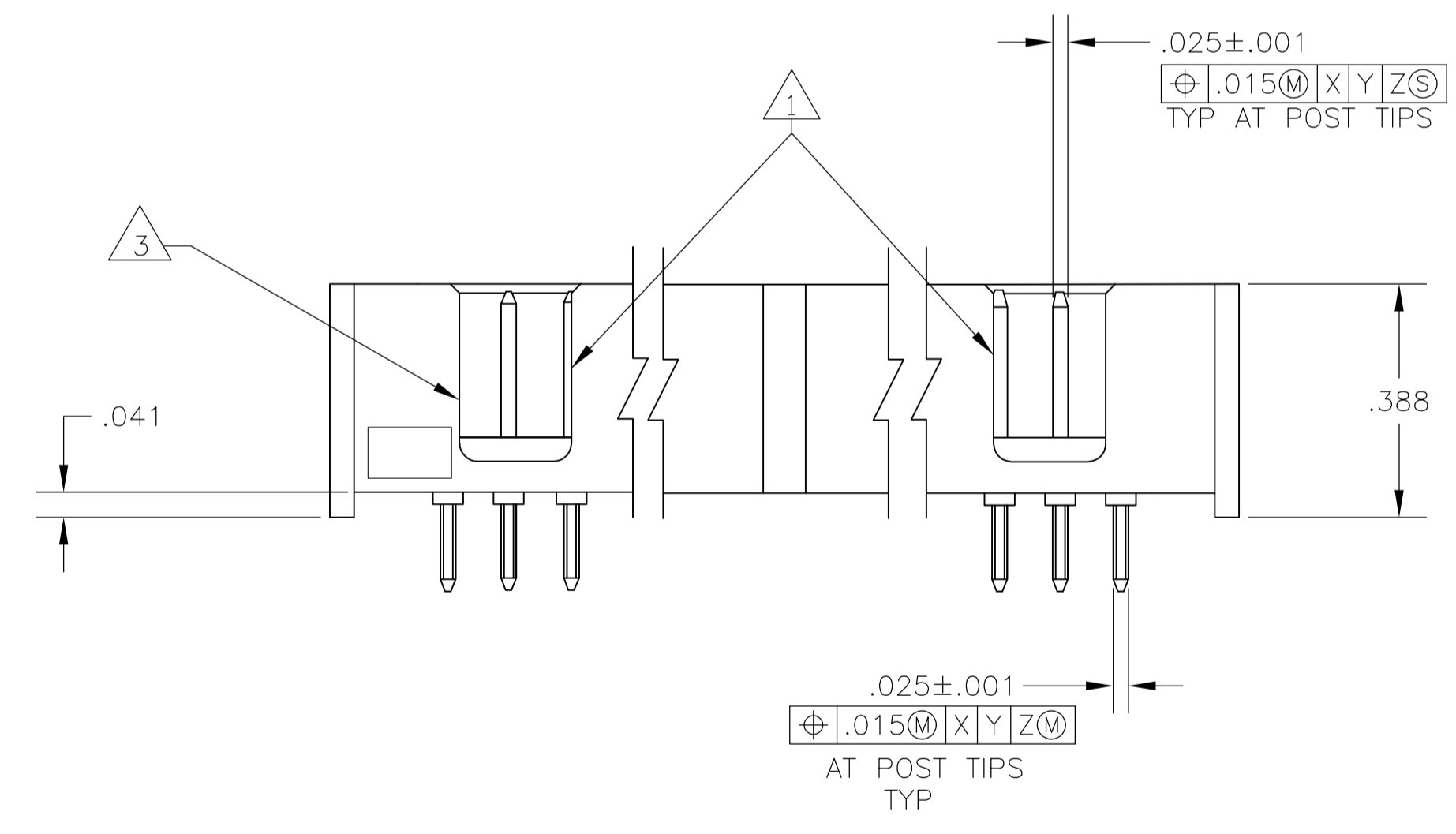
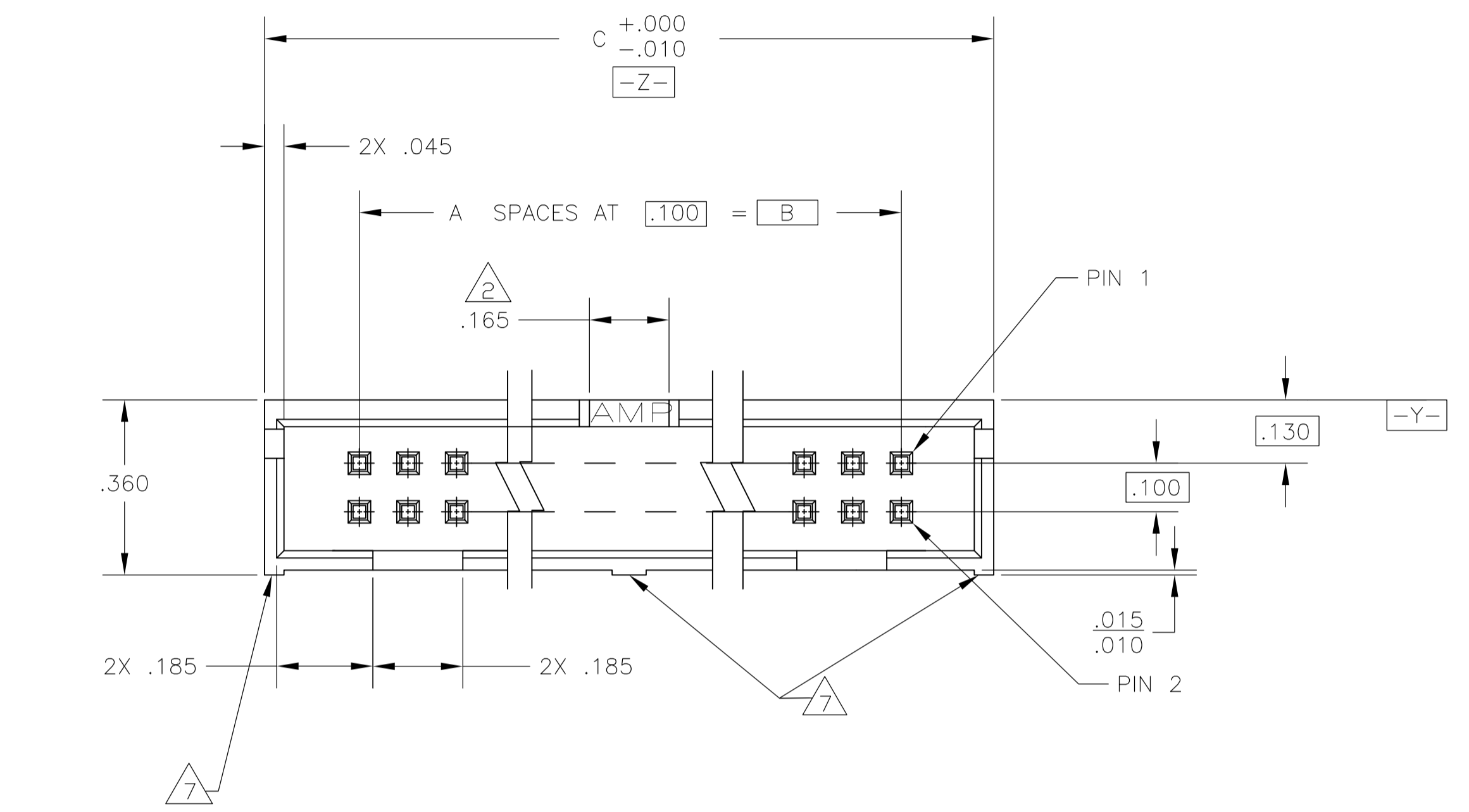




THE DATASHEET OF
5103308-2





RECOMMENDED PCB LAYOUT

- 1 DOUBLE BAR POLARIZATION SLOTS.
- 2 CENTER POLARIZATION SLOT.
- 3 FOR 10 POSN ASSEMBLY, SLOT OMITTED IN THIS LOCATION.
- 4 DATUMS U AND V TO BE ESTABLISHED BY THE CUSTOMER.
- 5 HOUSING: GLASS FILLED NYLON OR PBT, BLACK, UL 94V-0 RATED. POSTS: BRASS.
- 6 POSTS: GOLD FLASH OVER PALLADIUM-NICKEL PLATE, .000015 MIN TOTAL ON THE MATING SURFACES, .000100 MIN TIN PLATE ON THE SOLDER-TAILS, .000050 MIN NICKEL UNDERPLATE ON THE ENTIRE POST.
-OR-
.000015 MIN GOLD PLATE ON THE MATING SURFACES, .000100 MIN TIN PLATE ON THE SOLDER-TAILS, .000050 MIN NICKEL UNDERPLATE ON THE ENTIRE POST.
- 7 RIBS:
ALL POSITION SIZES-2 LOCATED AT ENDS OF HOUSING.
20 THRU 34 POSITION SIZES-1 ADDITIONAL RIB CENTERED ON HOUSING.
40 THRU 60 POSITION SIZES- 2 ADDITIONAL RIBS EVENLY SPACED WITHIN REMAINING LENGTH OF HOUSING.

1.500	1.100	11	24	1-5103308-3
3.300	2.900	29	60	1-5103308-2
2.800	2.400	24	50	1-5103308-0
2.300	1.900	19	40	5103308-8
2.000	1.600	16	34	5103308-7
1.600	1.200	12	26	5103308-6
1.300	.900	9	20	5103308-5
1.100	.700	7	16	5103308-3
1.000	.600	6	14	5103308-2
.800	.400	4	10	5103308-1
C	B	A	NO OF POSN	PART NUMBER

THIS DRAWING IS A CONTROLLED DOCUMENT.

DIMENSIONS: INCHES	TOLERANCES UNLESS OTHERWISE SPECIFIED:	0 PLC ± -	1 PLC ± -	2 PLC ± -	3 PLC ± .005	4 PLC ± -	ANGLES ± -
MATERIAL		FINISH		WEIGHT		SCALE	

APPROVED: B. LATTUCA, S. BOLASH, M. WALMSLEY

DATE: 01 NOV 05

NAME: M. WALMSLEY

PRODUCT SPEC: 108-40018

APPLICATION SPEC: -

SIZE: A1

CAGE CODE: 00779

DRAWING NO: 5103308

RESTRICTED TO: -

CUSTOMER DRAWING

SCALE: 4:1

SHEET: 1 OF 1

REV: E

STE TE Connectivity

HEADER ASSY, VERTICAL, LOW PROFILE, AMP-LATCH

Looking for pricing, stock, or lifecycle information?

Click below to explore more details on WIN SOURCE:

 [View 5103308-2 on WIN SOURCE](#)

 [TE Connectivity](#) Information

Optimize Your Supply Chain with WIN SOURCE Solutions

-  Global Sourcing Solution
-  Obsolete Management
-  Cost Control Management
-  Shortage Management
-  Alternative Solution
-  Excess Inventory Management