



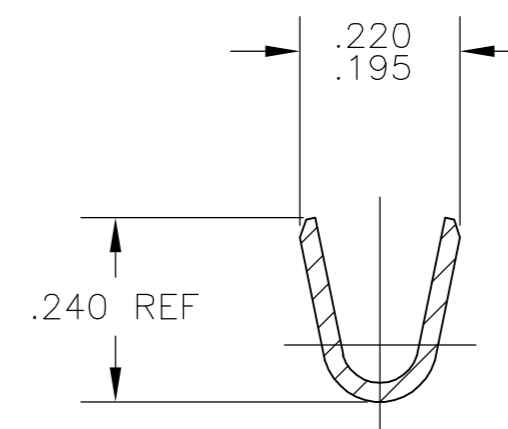
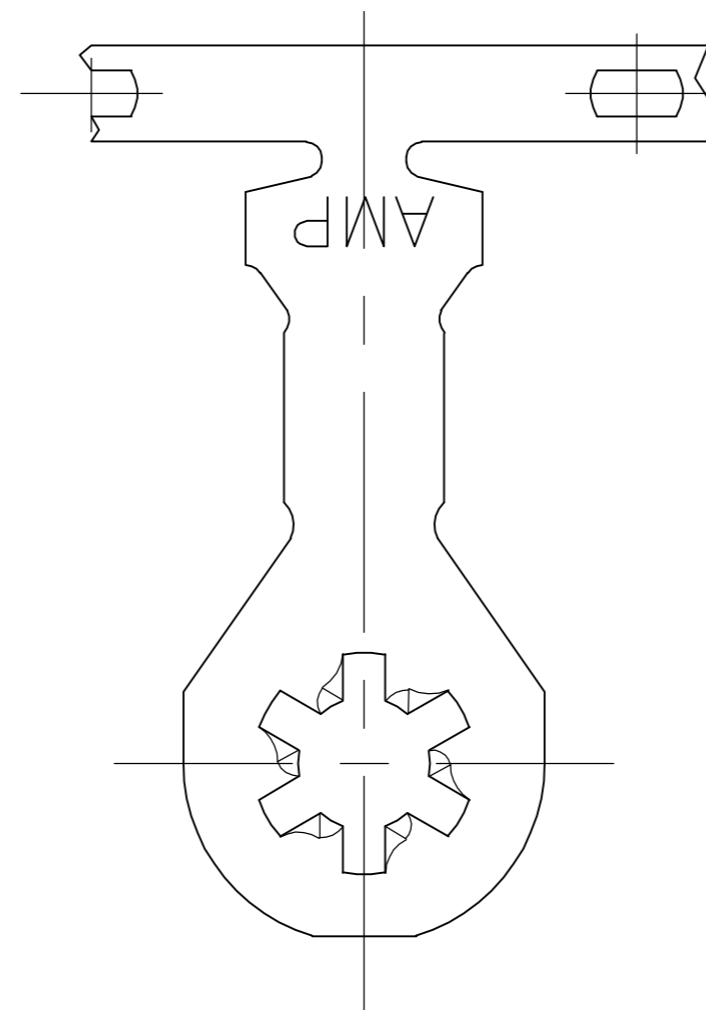
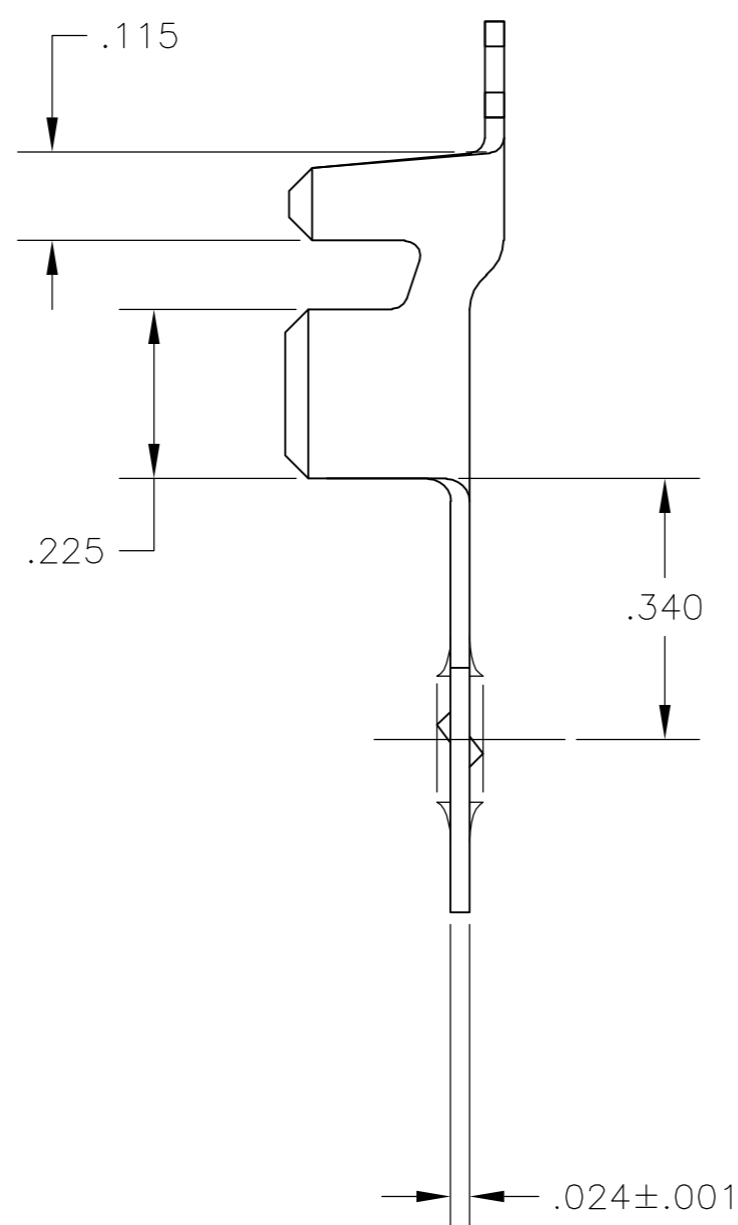
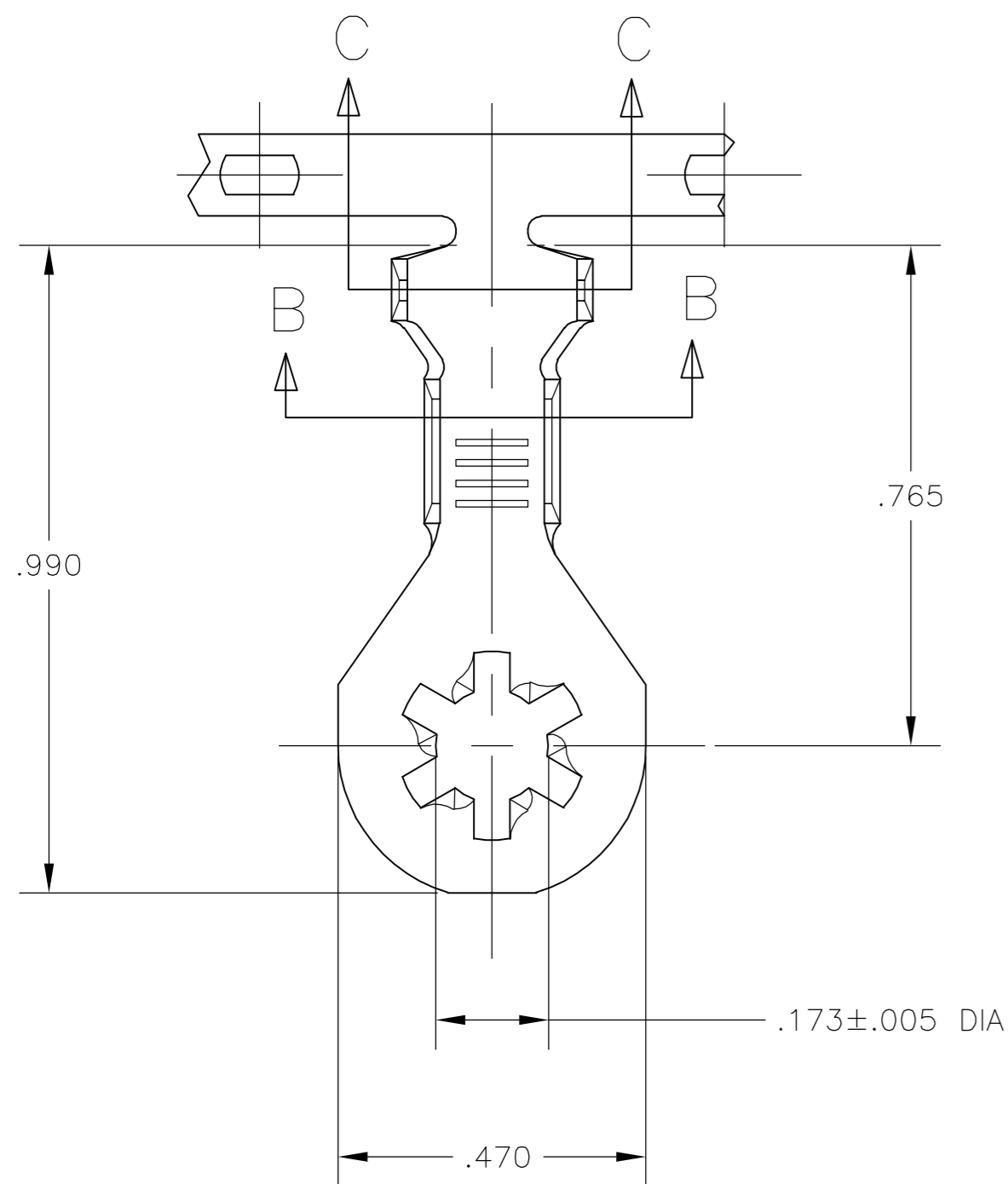
THE DATASHEET OF
62612-2



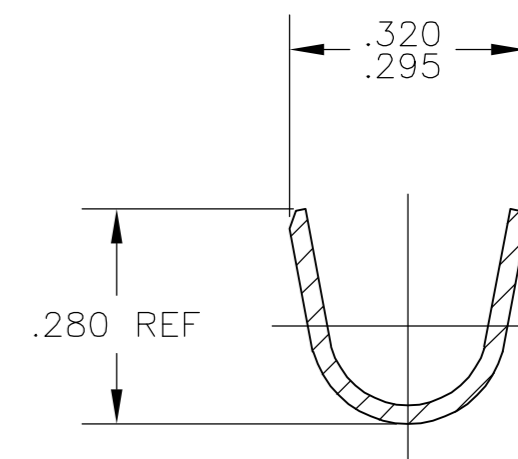
THIS DRAWING IS UNPUBLISHED. RELEASED FOR PUBLICATION
 © COPYRIGHT BY TYCO ELECTRONICS CORPORATION. ALL RIGHTS RESERVED.

LOC	DIST	REVISIONS			
P	LTR	DESCRIPTION	DATE	DWN	APVD
AF	50	C	REVISED PER OG3A-0923-04	30NOV04	MF DD

- CONTINUOUS STRIP ON REELS.
- WIRE RANGE: #12-#10 AWG, INSULATION RANGE: .125-.220 DIA.



SECTION B-B



SECTION C-C

-	-	-
-	-	-
.000080 MIN TIN PLATE	TEMP 2 COLD ROLLED STEEL	62612-2
-	ANNEALED STAINLESS STEEL	62612-1
FINISH	MATERIAL	PART NUMBER
THIS DRAWING IS A CONTROLLED DOCUMENT.		DWN 17NOV2004 MICHAEL S. FEHER
DIMENSIONS: INCHES		CHK 30NOV2004 DONALD F. DECKER
TOLERANCES UNLESS OTHERWISE SPECIFIED:		APVD 30NOV2004 DONALD F. DECKER
0 PLC ± -		NAME
1 PLC ± -		PRODUCT SPEC
2 PLC ± -		APPLICATION SPEC
3 PLC ± .010		SIZE
4 PLC ± -		CAGE CODE
ANGLES ± -		DRAWING NO
FINISH		RESTRICTED TO
MATERIAL SEE TABLE	FINISH SEE TABLE	WEIGHT -
CUSTOMER DRAWING		SCALE 5:1
SHEET 1 OF 1		REV C


tyco Tyco Electronics Corporation
Electronics Harrisburg, Pa 17105-3608

RING, ANTIROTATIONAL,
 8 STUD SIZE

A2 00779 C=62612

Looking for pricing, stock, or lifecycle information?

Click below to explore more details on WIN SOURCE:

 [View 62612-2 on WIN SOURCE](#)

 [TE Connectivity](#) Information

Optimize Your Supply Chain with WIN SOURCE Solutions

-  Global Sourcing Solution
-  Obsolete Management
-  Cost Control Management
-  Shortage Management
-  Alternative Solution
-  Excess Inventory Management