

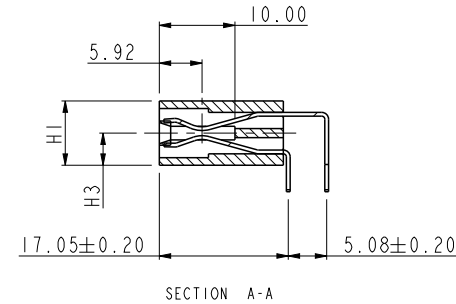
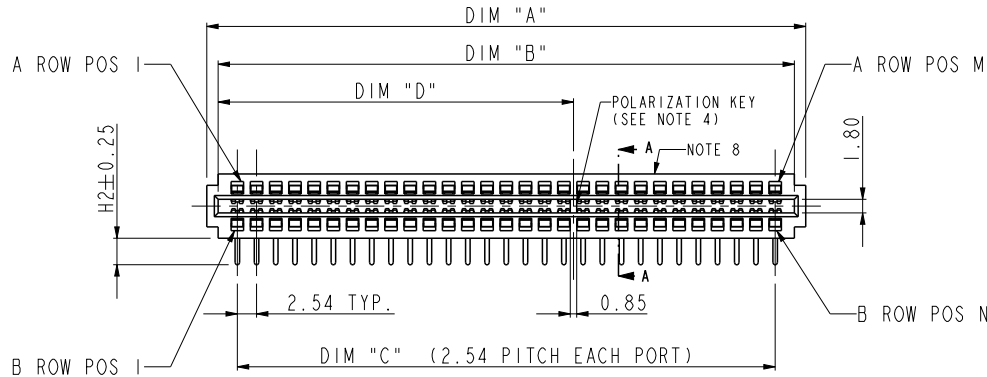
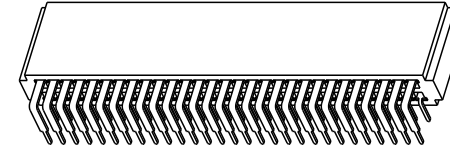
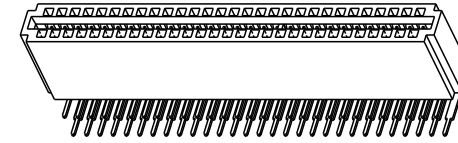
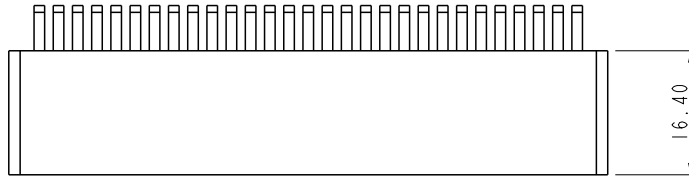


THE DATASHEET OF
10035388-102LF



PRODUCT NO.

10035388-XXX_
NOTE: 5



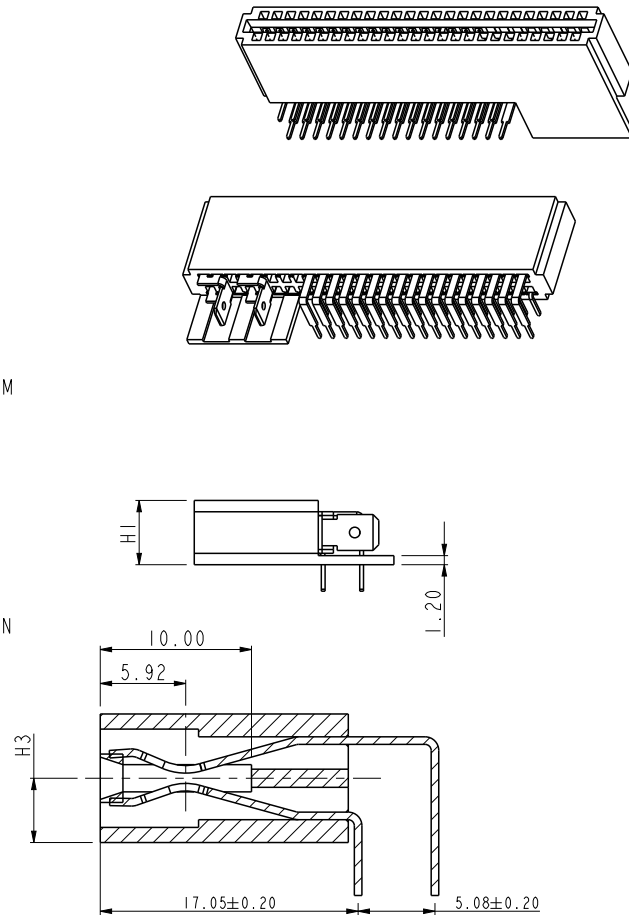
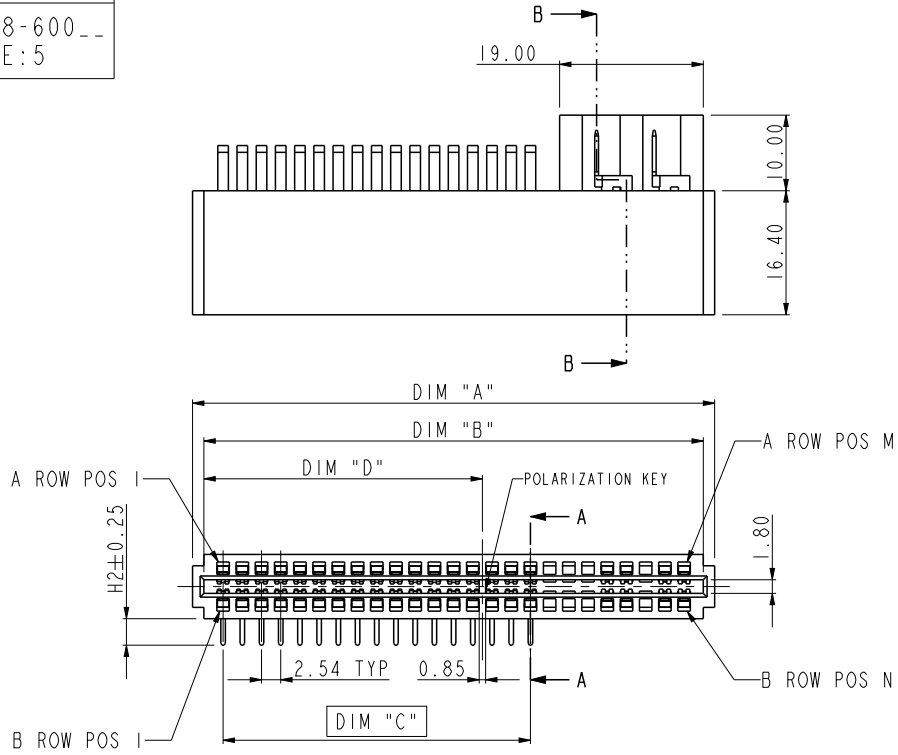
NOTE:

- MATERIAL:
HOUSING: HIGH TEMPERATURE THERMOPLASTIC, UL 94 V-0 RATED, BLACK.
TERMINAL: HIGH CONDUCTIVITY COPPER ALLOY.
- PRODUCT SPECIFICATION: GS-12-259.
- PACKAGE SPECIFICATION: GS-14-937
- THERE IS NO POLARIZATION KEY IN 10035388-102/103/104/105/106/107/108/110/114/119/120/121/122/123/202/203/204/205/206/500/700/800/802/902/903/904/905/909/910/911/912/913.
- PLATING SPEC:
10035388-XXX:
POWER PIN: CONTACT AREA - 30u" GOLD OVER 50u" NICKEL UNDER PLATED.
SOLDER TAIL - 100u" TIN/LEAD OVER 50u" NICKEL UNDER PLATED.
AC TERMINAL: 50u" NICKEL UNDER PLATED; 30u" GOLD ON CONTACT AREA.
10035388-XXXLF:
POWER PIN: CONTACT AREA - 30u" GOLD OVER 50u" NICKEL UNDER PLATED.
SOLDER TAIL - 100u" PURE MATTE TIN OVER 50u" NICKEL UNDER PLATED.
AC TERMINAL: 50u" NICKEL UNDER PLATED; 30u" GOLD ON CONTACT AREA.

- P/N 10035388-XXXLF MEETS EUROPEAN UNION DIRECTIVE AND OTHER COUNTRY REGULATIONS AS DESCRIBED IN GS-22-008.
- THE HOUSING WILL WITHSTAND EXPOSURE TO 260°C PEAK TEMPERATURE FOR 10 SECONDS IN A WAVE SOLDER APPLICATION WITH A CIRCUIT BOARD.
- PRODUCT MARKING ON HOUSING IN AREA SHOWN MEETS AFCI SPECIFICATION: GS-24-007.
- A SYMBOL WILL BE NEXT TO ANY DIMENSION, VIEW, OR NOTE WHICH HAS BEEN MODIFIED WITH THE CURRENT DRAWING REVISION.

spec ref		*		dr	De-Ming Lu	2014/08/06	projection 	MM ←→	size	A4	scale	1:1
tolerance std		TOLERANCES UNLESS OTHERWISE SPECIFIED		eng	Leborn Luo	2018/02/05			ecn no	ELX-DG-29258-1		
ISO 406	ISO 1101	chr	Feng Zheng	2018/02/06	product family	-				rel level	Released	
surface	linear	0.X	±0.5	appr		Pei-Ming Zheng	2018/02/06	-		rev	AN	
		0.XX	±0.25	Amphenol FCI		POWER EDGE CARD CONNECTOR WITHOUT SIGNAL ASSY		dwg no		10035388		
		0.XXX	±0.10									
	angular	0°	±2°	cat. no.		-		Product - Customer Drw		sheet 1 of 6		

PRODUCT NO.
10035388-600__
NOTE: 5



NOTE:
(APPLY TO 10035388-600__ AS ADDITIONAL)
10. THE EMPTY POSITIONS ARE 18, 19, 20, 23.
11. THERE ARE 2 AC TERMINALS.

SECTION A-A
SCALE 2:1

SECTION B-B
SCALE 2:1

spec ref *		dr De-Ming Lu 2014/08/06		projection		size A4		scale 1:1	
tolerance std		eng Leborn Luo 2018/02/05				MM		ecn no ELX-DG-29258-1	
ISO 406 ISO 1101		chr Feng Zheng 2018/02/06						rel level Released	
TOLERANCES UNLESS OTHERWISE SPECIFIED		appr Pei-Ming Zheng 2018/02/06		product family -		rev		10035388	
surface -		linear		title		dwg no		AN	
		0.X ±0.5		POWER EDGE CARD CONNECTOR					
		0.XX ±0.25		WITHOUT SIGNAL ASSY					
		0.XXX ±0.10		cat. no. -		Product - Customer Drw		sheet 2 of 6	
ISO 1302		angular 0° ±2°							

A

B

C

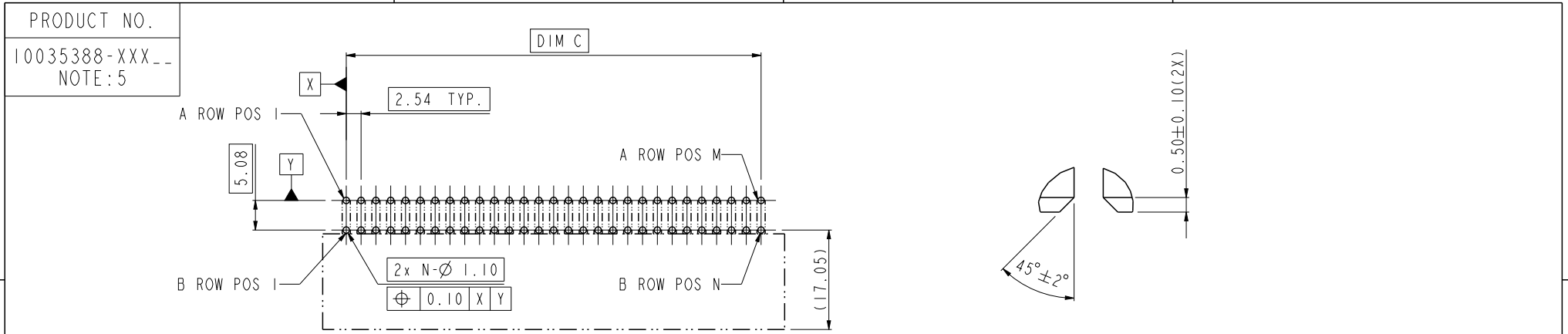
D

A

B

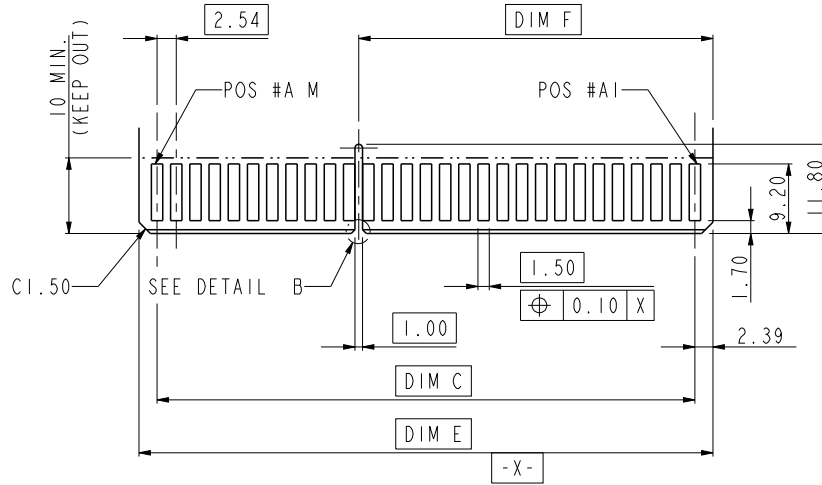
C

D

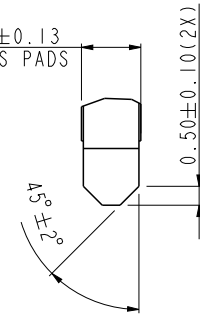
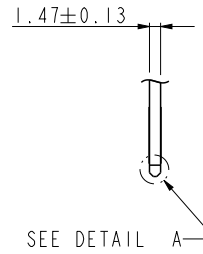


RECOMMENDED PCB LAYOUT

DETAIL B
SCALE 5:1



RECOMMENDED DAUGHTER CARD LAYOUT (TOP SIDE)



DETAIL A
SCALE 5:1

spec ref	*	dr	De-Ming Lu	2014/08/06	projection	MM	size	A4	scale	1:1
tolerance std	TOLERANCES UNLESS OTHERWISE SPECIFIED	eng	Leborn Luo	2018/02/05			ecn no	ELX-DG-29258-1		
ISO 406		chr	Feng Zheng	2018/02/06				rel level	Released	
ISO 1101		appr	Pei-Ming Zheng	2018/02/06	product family	-				
surface	linear		title POWER EDGE CARD CONNECTOR WITHOUT SIGNAL ASSY	cat. no.	-	Product - Customer Drw	dwg no 10035388	rev AN	sheet 3 of 6	
	angular									
ISO 1302										

Amphenol FCI

© 2016 AFCI

A

B

C

D

PRAT NO.	DIM"A"	DIM"B"	DIM"C"	DIM"D"	DIM"E"	DIM"F"	H1	H2	H3	PIN CONFIGURATION	M	N
10035388-107 10035388-107LF	69.04	66.04	60.96	N/A	65.74	N/A	8.50	3.50	4.25	A1 A25 B1 B25	25	25
10035388-913 10035388-913LF	25.86	22.86	17.78	N/A	22.56	N/A	8.50	3.50	4.25	ALL LOADED	8	8
10035388-902 10035388-902LF	94.44	91.44	86.36	N/A	91.14	N/A	8.50	3.50	4.25	A1 A35 B1 B35	35	35
10035388-108 10035388-108LF	69.04	66.04	60.96	N/A	65.74	N/A	8.50	3.50	4.25	A1 A25 B1 B25	25	25
10035388-206 10035388-206LF	84.28	81.28	76.20	N/A	80.98	N/A	8.50	3.50	4.25	A1 A31 B1 B31	31	31
10035388-110 10035388-110LF	69.04	66.04	60.96	N/A	65.74	N/A	8.50	3.50	4.25	A1 A25 B1 B25	25	25
10035388-204 10035388-204LF	81.74	78.74	73.66	N/A	78.44	N/A	8.50	3.50	4.25	ALL LOADED	30	30
10035388-114 10035388-114LF	41.10	38.10	33.02	N/A	37.80	N/A	8.50	3.50	4.25	ALL LOADED	14	14
10035388-119 10035388-119LF	94.44	91.44	86.36	N/A	91.14	N/A	8.50	3.50	4.25	A1 A35 B1 B35	35	35
10035388-120 10035388-120LF	69.04	66.04	60.96	N/A	65.74	N/A	8.50	3.50	4.25	A1 A25 B1 B25	25	25
10035388-121 10035388-121LF	48.72	45.72	40.64	N/A	45.42	N/A	8.50	3.50	4.25	A1 A17 B1 B17	17	17
10035388-122 10035388-122LF	76.66	73.66	68.58	N/A	73.36	N/A	8.50	3.50	4.25	A1 A28 B1 B28	28	28
10035388-123 10035388-123LF	69.04	66.04	60.69	N/A	65.74	N/A	8.50	3.50	4.25	A1 A25 B1 B25	25	25

spec ref	*	dr	De-Ming Lu	2014/08/06	projection		size	A4	scale	1:1
tolerance std	ISO 406 ISO 1101	eng	Leborn Luo	2018/02/05			ecn no		ELX-DG-29258-1	
TOLERANCES UNLESS OTHERWISE SPECIFIED		chr	Feng Zheng	2018/02/06			rel level		Released	
surface	linear	appr	Pei-Ming Zheng	2018/02/06	product family		-		rev	AN
	angular	Amphenol FCI		POWER EDGE CARD CONNECTOR		dwg no		10035388		
	0.X ±0.5 0.XX ±0.25 0.XXX ±0.10	cat. no.		-		Product - Customer Drw		sheet 6 of 6		
	0° ±2°									

Looking for pricing, stock, or lifecycle information?

Click below to explore more details on WIN SOURCE:

 [View 10035388-102LF on WIN SOURCE](#)

 [Amphenol FCI Information](#)

Optimize Your Supply Chain with WIN SOURCE Solutions

-  Global Sourcing Solution
-  Obsolete Management
-  Cost Control Management
-  Shortage Management
-  Alternative Solution
-  Excess Inventory Management