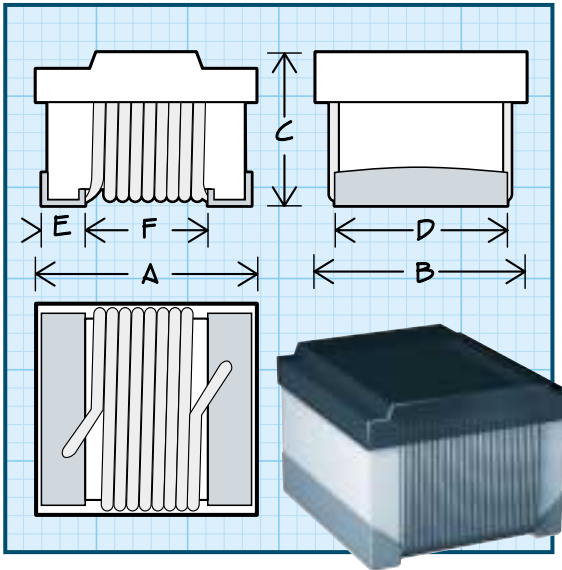




**THE DATASHEET OF**  
**0603-11NJ**



# Series 0603 Open Construction Wirewound Surface Mount Inductors



## Physical Parameters

|   | Inches            | Millimeters      |
|---|-------------------|------------------|
| A | 0.071 Max.        | 1.80 Max.        |
| B | 0.045 Max.        | 1.14 Max.        |
| C | 0.040 Max.        | 1.02 Max.        |
| D | 0.030 (Ref. only) | 0.76 (Ref. only) |
| E | 0.018 (Ref. only) | 0.44 (Ref. only) |
| F | 0.040 (Ref. only) | 1.03 (Ref. only) |
| G | 0.040             | 1.03             |
| H | 0.025             | 0.64             |
| I | 0.025             | 0.64             |

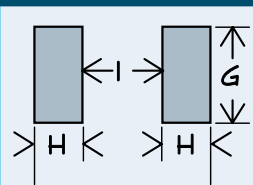
**Operating Temperature Range** -40°C to +125°C

**Standard Termination** 90/10 Solder

**Inductance and Q** tested on HP4291A using HP16193A test fixture

**Packaging** Tape & reel (8mm): 7" reel, 4000 pieces max.

## LAND PATTERN DIMENSIONS



PART NUMBER  
INDUCTANCE (nH) ±10%  
Q MINIMUM  
INDUCTANCE & Q TEST FREQUENCY (MHz)  
SRF MINIMUM (MHz)  
DC RESISTANCE MAXIMUM (OHMS)  
CURRENT RATING MAXIMUM (mA)

## SERIES 0603 CERAMIC CORE

|           |     |    |     |      |       |     |
|-----------|-----|----|-----|------|-------|-----|
| 0603-1N6K | 1.6 | 16 | 250 | 6000 | 0.040 | 700 |
| 0603-1N8K | 1.8 | 16 | 250 | 6000 | 0.045 | 700 |
| 0603-3N3K | 3.3 | 22 | 250 | 6000 | 0.080 | 700 |
| 0603-3N6K | 3.6 | 22 | 250 | 5800 | 0.063 | 700 |
| 0603-3N9K | 3.9 | 22 | 250 | 6000 | 0.080 | 700 |
| 0603-4N3K | 4.3 | 22 | 250 | 5800 | 0.063 | 700 |
| 0603-4N7K | 4.7 | 25 | 250 | 5800 | 0.120 | 700 |
| 0603-5N1K | 5.1 | 20 | 250 | 5800 | 0.160 | 700 |
| 0603-5N6K | 5.6 | 20 | 250 | 5800 | 0.170 | 700 |
| 0603-6N8K | 6.8 | 27 | 250 | 5800 | 0.110 | 700 |
| 0603-7N5K | 7.5 | 27 | 250 | 4800 | 0.110 | 700 |
| 0603-8N2K | 8.2 | 27 | 250 | 4800 | 0.110 | 700 |
| 0603-8N7K | 8.7 | 27 | 250 | 4800 | 0.110 | 700 |
| 0603-9N5K | 9.5 | 27 | 250 | 4800 | 0.130 | 700 |
| 0603-10NK | 10  | 31 | 250 | 4800 | 0.130 | 700 |
| 0603-11NK | 11  | 31 | 250 | 4000 | 0.086 | 700 |
| 0603-12NK | 12  | 35 | 250 | 4000 | 0.130 | 700 |
| 0603-15NK | 15  | 35 | 250 | 4000 | 0.170 | 700 |
| 0603-16NK | 16  | 35 | 250 | 3300 | 0.110 | 700 |
| 0603-18NK | 18  | 35 | 250 | 3100 | 0.170 | 700 |
| 0603-22NK | 22  | 38 | 250 | 3000 | 0.190 | 700 |
| 0603-24NK | 24  | 38 | 250 | 2800 | 0.130 | 700 |
| 0603-27NK | 27  | 40 | 250 | 2800 | 0.220 | 600 |
| 0603-30NK | 30  | 40 | 250 | 2800 | 0.150 | 600 |
| 0603-33NK | 33  | 40 | 250 | 2300 | 0.220 | 600 |
| 0603-36NK | 36  | 40 | 250 | 2300 | 0.250 | 600 |
| 0603-39NK | 39  | 40 | 250 | 2200 | 0.250 | 600 |
| 0603-43NK | 43  | 38 | 200 | 2000 | 0.280 | 600 |
| 0603-47NK | 47  | 38 | 200 | 2000 | 0.280 | 600 |
| 0603-56NK | 56  | 38 | 200 | 1900 | 0.310 | 600 |
| 0603-68NK | 68  | 37 | 200 | 1700 | 0.340 | 600 |
| 0603-72NK | 72  | 34 | 150 | 1700 | 0.490 | 400 |
| 0603-82NK | 82  | 34 | 150 | 1700 | 0.540 | 400 |
| 0603-101K | 100 | 34 | 150 | 1400 | 0.580 | 400 |
| 0603-111K | 110 | 32 | 150 | 1350 | 0.610 | 300 |
| 0603-121K | 120 | 32 | 150 | 1300 | 0.650 | 300 |
| 0603-151K | 150 | 32 | 100 | 1300 | 0.950 | 280 |
| 0603-181K | 180 | 25 | 100 | 1200 | 1.400 | 250 |
| 0603-221K | 220 | 25 | 100 | 1200 | 1.600 | 250 |
| 0603-271K | 270 | 25 | 100 | 900  | 2.100 | 200 |



Optional Tolerances: 9.5nH & Lower J = 5%

All Other Values: J = 5% G = 2%

RF INDUCTORS

## Looking for pricing, stock, or lifecycle information?

Click below to explore more details on WIN SOURCE:

-  [View 0603-11NJ on WIN SOURCE](#)
-  [API Delevan Inc. Information](#)

## Optimize Your Supply Chain with WIN SOURCE Solutions

-  Global Sourcing Solution
-  Obsolete Management
-  Cost Control Management
-  Shortage Management
-  Alternative Solution
-  Excess Inventory Management