



**THE DATASHEET OF
LTM4604EV#PBF**



Low Voltage, 4A DC/DC μModule Regulator with Tracking

FEATURES

- Complete Standalone Power Supply
- Wide Input Voltage Range: 2.375V to 5.5V
- 4A DC, 5A Peak Output Current
- 0.8V to 5V Output
- Output Voltage Tracking
- ±2% Maximum Total DC Output Error
- UltraFast™ Transient Response
- Current Mode Control
- Current Foldback Protection, Parallel/Current Sharing
- Small and Very Low Profile Package:
 15mm × 9mm × 2.32mm LGA

APPLICATIONS

- Telecom and Networking Equipment
- Servers, ATCA Cards
- Industrial Equipment

Please refer to the LTM4604A for easier PC board layout and assembly due to increased spacing between land grid pads.

DESCRIPTION

The LTM[®]4604 is a complete 4A switch mode step-down μModule[®] (micromodule) regulator. Included in the package are the switching controller, power FETs, inductor and all support components. Operating over an input voltage range of 2.375V to 5.5V, the LTM4604 supports an output voltage range of 0.8V to 5V, set by a single resistor. This high efficiency design delivers up to 4A continuous current (5A peak). Only bulk input and output capacitors are needed to complete the design.

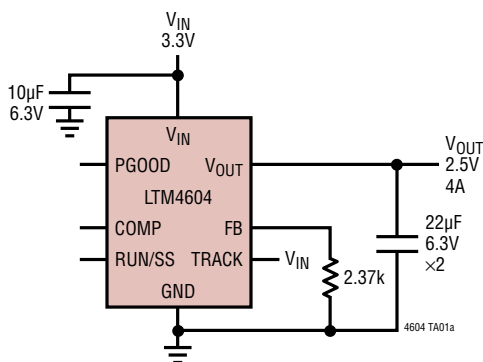
The low profile package (2.32mm) enables utilization of unused space on the bottom of PC boards for high density point of load regulation. High switching frequency and a current mode architecture enable a very fast transient response to line and load changes without sacrificing stability. The device supports output voltage tracking for supply rail sequencing.

Fault protection features include foldback current protection, thermal shutdown and a programmable soft-start function. The LTM4604 is offered in a RoHS compliant 15mm × 9mm × 2.32mm LGA package.

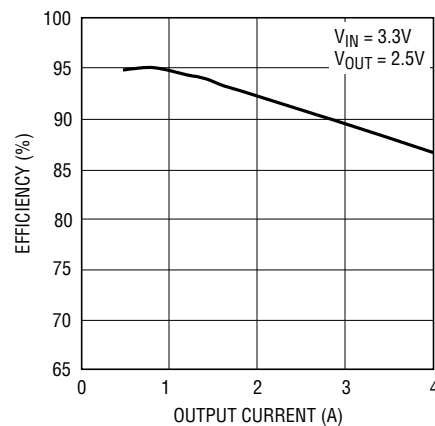
LT, LT, LTC, LTM, Linear Technology, the Linear logo and μModule are registered trademarks and LTpowerCAD, LTspice and UltraFast are trademarks of Linear Technology Corporation. All other trademarks are the property of their respective owners.

TYPICAL APPLICATION

3.3V to 2.5V/4A μModule Regulator



Efficiency vs Output Current

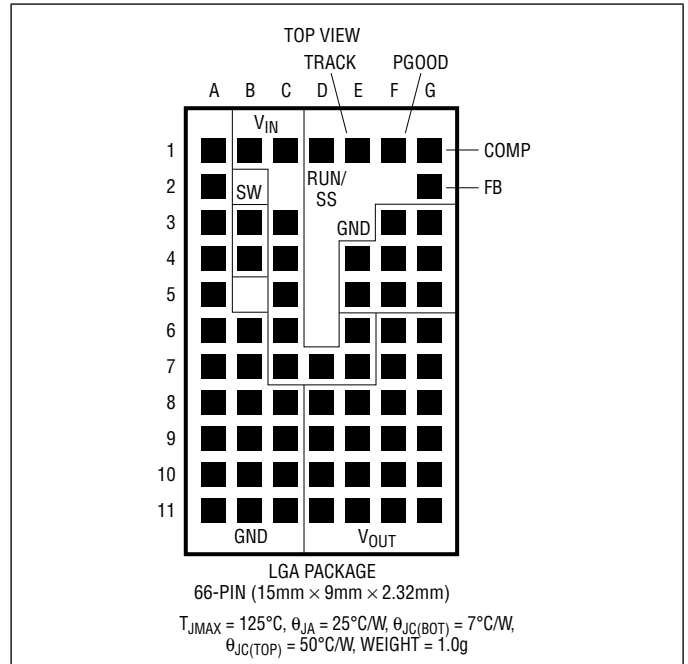


ABSOLUTE MAXIMUM RATINGS

(Note 1)

| | |
|--|------------------------------|
| V_{IN} , PGOOD | -0.3V to 6V |
| COMP, RUN/SS, FB, TRACK | -0.3V to V_{IN} |
| SW, V_{OUT} | -0.3V to ($V_{IN} + 0.3V$) |
| Operating Temperature Range (Note 2).... | -40°C to 85°C |
| Junction Temperature | 125°C |
| Storage Temperature Range | -55°C to 125°C |
| Reflow (Peak Body) Temperature..... | 245°C |

PIN CONFIGURATION



For easier PC board layout and assembly due to increased spacing between land grid pads, please refer to the LTM4604A.

ORDER INFORMATION

| LEAD FREE FINISH | TRAY | PART MARKING* | PACKAGE DESCRIPTION | TEMPERATURE RANGE (NOTE 2) |
|------------------|---------------|---------------|-------------------------|----------------------------|
| LTM4604EV#PBF | LTM4604EV#PBF | LTM4604V | 15mm × 9mm × 2.32mm LGA | -40°C to 85°C |
| LTM4604IV#PBF | LTM4604IV#PBF | LTM4604V | 15mm × 9mm × 2.32mm LGA | -40°C to 85°C |

Consult LTC Marketing for parts specified with wider operating temperature ranges. *The temperature grade is identified by a label on the shipping container. For more information on lead free part marking, go to: <http://www.linear.com/leadfree/>
This product is only offered in trays. For more information go to: <http://www.linear.com/packaging/>

ELECTRICAL CHARACTERISTICS

The ● denotes the specifications which apply over the full operating temperature range (Note 2), otherwise specifications are at $T_A = 25^{\circ}C$. $V_{IN} = 5V$ unless otherwise noted. See Figure 15.

| SYMBOL | PARAMETER | CONDITIONS | MIN | TYP | MAX | UNITS |
|-----------------------------|--|--|---------|----------------------------|-------|---|
| $V_{IN(DC)}$ | Input DC Voltage | | ● 2.375 | | 5.5 | V |
| $V_{OUT(DC)}$ | Output Voltage, Total Variation with Line and Load | $C_{IN} = 10\mu F$, $C_{OUT} = 22\mu F \times 3$, $R_{FB} = 5.69k$ (Note 3) $V_{IN} = 2.375V$ to $5.5V$, $I_{OUT} = 0A$ to $4A$, $0^{\circ}C \leq T_A \leq 85^{\circ}C$ $V_{IN} = 2.375V$ to $5.5V$, $I_{OUT} = 0A$ to $4A$ | ● 1.478 | 1.5 | 1.522 | V |
| Input Specifications | | | | | | |
| $V_{IN(UVLO)}$ | Undervoltage Lockout Threshold | $I_{OUT} = 0A$ | 1.75 | 2 | 2.3 | V |
| $I_{INRUSH(VIN)}$ | Peak Input Inrush Current at Start-Up | $I_{OUT} = 0A$, $C_{IN} = 10\mu F$, $C_{OUT} = 22\mu F \times 3$, RUN/SS = $0.01\mu F$, $V_{OUT} = 1.5V$ $V_{IN} = 3.3V$ $V_{IN} = 5V$ | | 0.7 0.7 | | A A |
| $I_{Q(VIN NOLOAD)}$ | Input Supply Bias Current | $V_{IN} = 3.3V$, No Switching $V_{IN} = 3.3V$, $V_{OUT} = 1.5V$, Switching Continuous $V_{IN} = 5V$, No Switching $V_{IN} = 5V$, $V_{OUT} = 1.5V$, Switching Continuous Shutdown, RUN = 0, $V_{IN} = 5V$ | | 60 28 100 35 7 | | μA mA μA mA μA |

4604fb

ELECTRICAL CHARACTERISTICS

The ● denotes the specifications which apply over the full operating temperature range (Note 2), otherwise specifications are at $T_A = 25^\circ\text{C}$. $V_{IN} = 5\text{V}$ unless otherwise noted. See Figure 15.

| SYMBOL | PARAMETER | CONDITIONS | MIN | TYP | MAX | UNITS | |
|--|--|---|-------|-----------|-------|-------------------|---|
| $I_{S(VIN)}$ | Input Supply Current | $V_{IN} = 2.5\text{V}$, $V_{OUT} = 1.5\text{V}$, $I_{OUT} = 4\text{A}$ | | 2.9 | | A | |
| | | $V_{IN} = 3.3\text{V}$, $V_{OUT} = 1.5\text{V}$, $I_{OUT} = 4\text{A}$ | | 2.2 | | A | |
| | | $V_{IN} = 5\text{V}$, $V_{OUT} = 1.5\text{V}$, $I_{OUT} = 4\text{A}$ | | 1.45 | | A | |
| Output Specifications | | | | | | | |
| $I_{OUT(DC)}$ | Output Continuous Current Range | $V_{IN} = 3.3\text{V}$, $V_{OUT} = 1.5\text{V}$ (Note 3) | | | 4 | A | |
| $\frac{\Delta V_{OUT(LINE)}}{V_{OUT}}$ | Line Regulation Accuracy | $V_{OUT} = 1.5\text{V}$, V_{IN} from 2.375V to 5.5V, $I_{OUT} = 0\text{A}$ | ● | 0.1 | 0.2 | % | |
| $\frac{\Delta V_{OUT(LOAD)}}{V_{OUT}}$ | Load Regulation Accuracy | $V_{OUT} = 1.5\text{V}$, 0A to 4A (Note 3) $V_{IN} = 3.3\text{V}$ $V_{IN} = 5\text{V}$ | ● | 0.3 | 0.6 | % | |
| | | | ● | 0.3 | 0.6 | % | |
| $V_{OUT(AC)}$ | Output Ripple Voltage | $I_{OUT} = 0\text{A}$, $C_{OUT} = 22\mu\text{F X5R Ceramic} \times 3$ $V_{IN} = 3.3\text{V}$, $V_{OUT} = 1.5\text{V}$ $V_{IN} = 5\text{V}$, $V_{OUT} = 1.5\text{V}$ | | 10 | | mV _{P-P} | |
| | | | | 12 | | mV _{P-P} | |
| f_s | Output Ripple Voltage Frequency | $I_{OUT} = 4\text{A}$, $V_{IN} = 5\text{V}$, $V_{OUT} = 1.5\text{V}$ | | 1.25 | | MHz | |
| $\Delta V_{OUT(START)}$ | Turn-On Overshoot | $C_{OUT} = 22\mu\text{F} \times 3$, $V_{OUT} = 1.5\text{V}$, RUN/SS = 10nF, $I_{OUT} = 0\text{A}$ $V_{IN} = 3.3\text{V}$ $V_{IN} = 5\text{V}$ | | 20 | | mV | |
| t_{START} | Turn-on Time | $C_{OUT} = 22\mu\text{F} \times 3$, $V_{OUT} = 1.5\text{V}$, $I_{OUT} = 1\text{A}$ Resistive Load, TRACK = V_{IN} and RUN/SS = Float $V_{IN} = 3.3\text{V}$ $V_{IN} = 5\text{V}$ | | 1.5 | | ms | |
| | | | | 1.0 | | ms | |
| $\Delta V_{OUT(LS)}$ | Peak Deviation for Dynamic Load Step | Load: 0% to 50% to 0% of Full Load, $C_{OUT} = 22\mu\text{F} \times 3$ Ceramic $V_{IN} = 5\text{V}$, $V_{OUT} = 1.5\text{V}$ | | 25 | | mV | |
| t_{SETTLE} | Settling Time for Dynamic Load Step | Load: 0% to 50% to 0% of Full Load $V_{IN} = 5\text{V}$, $V_{OUT} = 1.5\text{V}$ | | 10 | | μs | |
| $I_{OUT(PK)}$ | Output Current Limit | $C_{OUT} = 22\mu\text{F} \times 3$ $V_{IN} = 3.3\text{V}$, $V_{OUT} = 1.5\text{V}$ $V_{IN} = 5\text{V}$, $V_{OUT} = 1.5\text{V}$ | | 8 | | A | |
| | | | | 8 | | A | |
| Control Section | | | | | | | |
| V_{FB} | Voltage at FB Pin | $I_{OUT} = 0\text{A}$, $V_{OUT} = 1.5\text{V}$, $0^\circ\text{C} \leq T_A \leq 85^\circ\text{C}$ $I_{OUT} = 0\text{A}$, $V_{OUT} = 1.5\text{V}$ | ● | 0.792 | 0.8 | 0.808 | V |
| | | | | 0.788 | 0.8 | 0.812 | V |
| I_{FB} | | | | 0.2 | | μA | |
| $V_{RUN/SS}$ | RUN/SS Pin On/Off Threshold | | 0.5 | 0.65 | 0.8 | V | |
| I_{TRACK} | TRACK Pin Current | | | 0.2 | | μA | |
| $V_{TRACK(OFFSET)}$ | Offset Voltage | TRACK = 0.4V | | 30 | | mV | |
| $V_{TRACK(RANGE)}$ | Tracking Input Range | | 0 | | 0.8 | V | |
| R_{FBHI} | Resistor Between V_{OUT} and FB Pins | | 4.965 | 4.99 | 5.015 | k Ω | |
| PGOOD | | | | | | | |
| ΔV_{PGOOD} | PGOOD Range | | | ± 7.5 | | % | |
| R_{PGOOD} | PGOOD Resistance | Open-Drain Pull-Down | | 90 | 150 | Ω | |

Note 1: Stresses beyond those listed under Absolute Maximum Ratings may cause permanent damage to the device. Exposure to any Absolute Maximum Rating condition for extended periods may affect device reliability and lifetime.

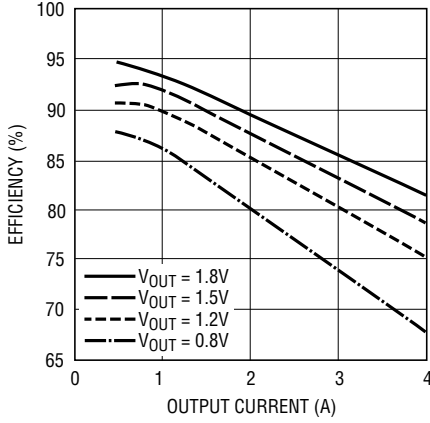
Note 2: The LTM4604E is guaranteed to meet performance specifications from 0°C to 85°C . Specifications over the -40°C to 85°C operating temperature range are assured by design, characterization and correlation

with statistical process controls. The LTM4604I is guaranteed over the full -40°C to 85°C operating temperature range.

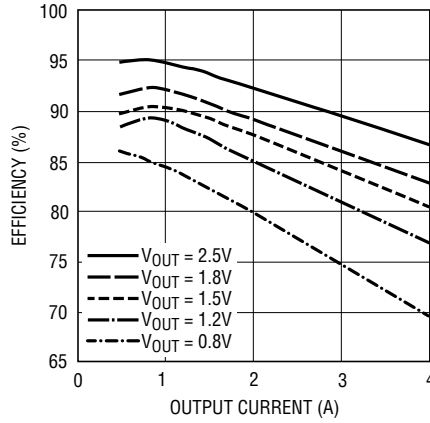
Note 3: See output current derating curves for different V_{IN} , V_{OUT} and T_A .

TYPICAL PERFORMANCE CHARACTERISTICS

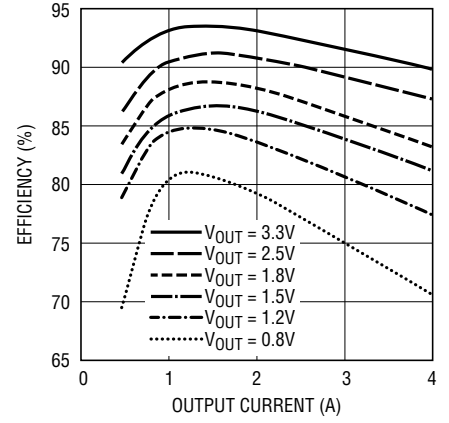
Efficiency vs Output Current
 $V_{IN} = 2.5V$



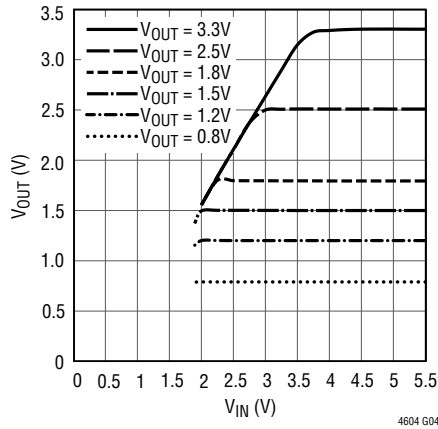
Efficiency vs Output Current
 $V_{IN} = 3.3V$



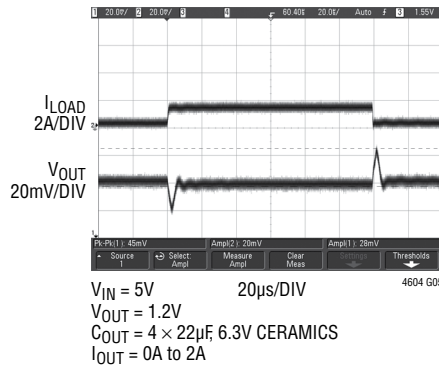
Efficiency vs Output Current
 $V_{IN} = 5V$



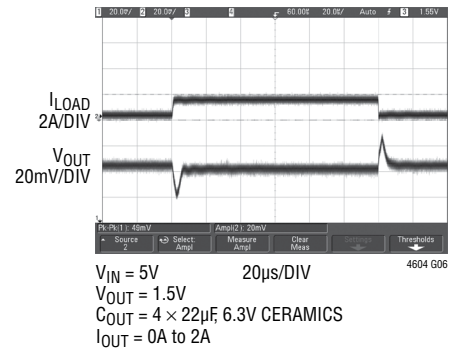
Minimum Input Voltage at 4A Load



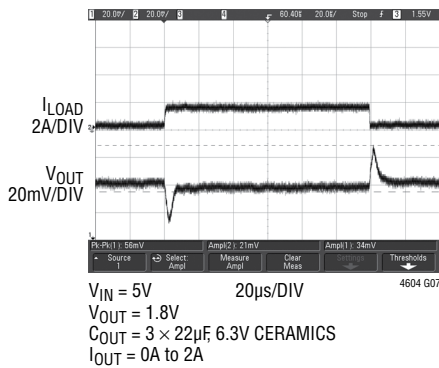
Load Transient Response



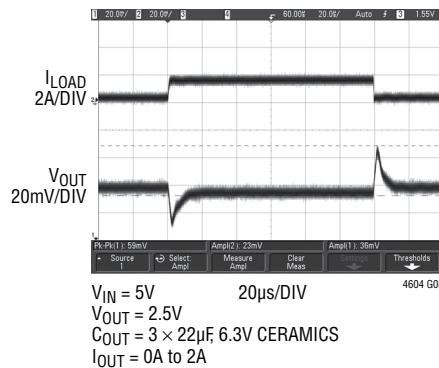
Load Transient Response



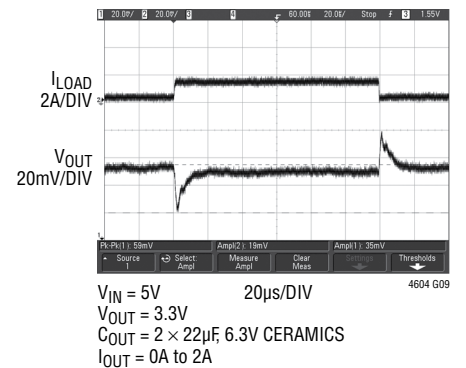
Load Transient Response



Load Transient Response

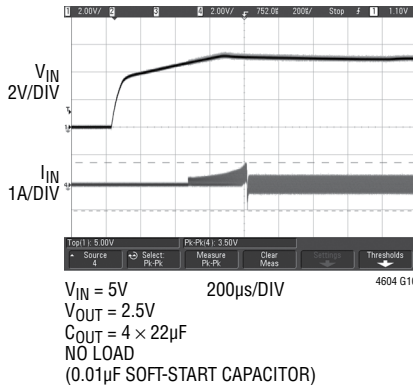


Load Transient Response

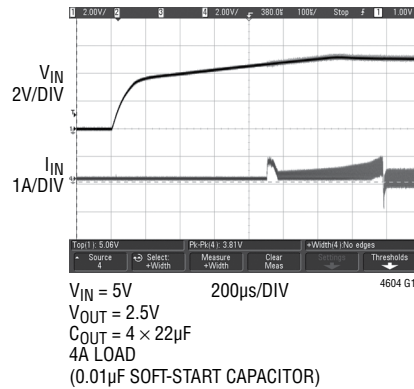


TYPICAL PERFORMANCE CHARACTERISTICS

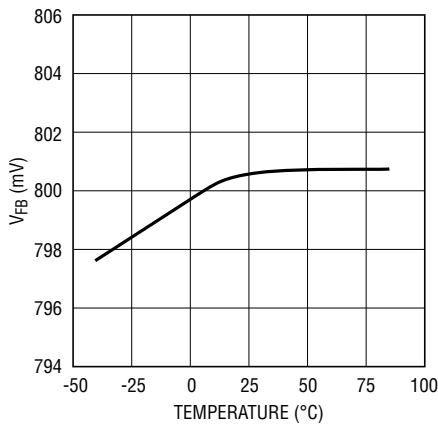
Start-Up



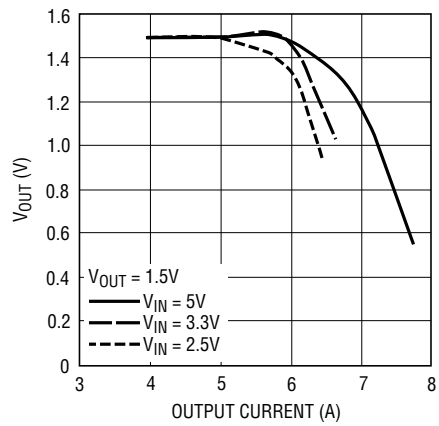
Start-Up



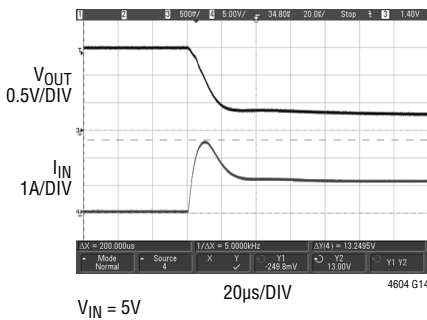
V_{FB} vs Temperature



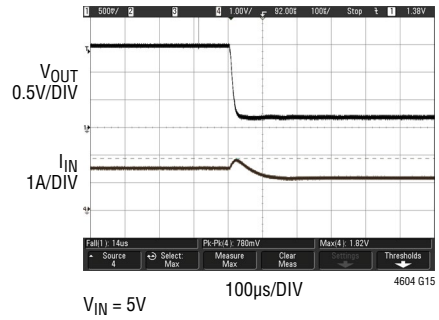
Current Limit Foldback



**Short-Circuit Protection
1.5V Short, No Load**



**Short-Circuit Protection
1.5V Short, 4A Load**



PIN FUNCTIONS

V_{IN} (B1, C1, C3-C7, D7, E6 and E7): Power Input Pins. Apply input voltage between these pins and GND pins. Recommend placing input decoupling capacitance directly between V_{IN} pins and GND pins.

V_{OUT} (D8-D11, E8-E11, F6-F11, G6-G11): Power Output Pins. Apply output load between these pins and GND pins. Recommend placing output decoupling capacitance directly between these pins and GND pins. Review Table 4.

GND (G3-G5, F3-F5, E4-E5, A1-A11, B6-B11, C8-C11): Power Ground Pins for Both Input and Output Returns.

TRACK (E1): Output Voltage Tracking Pin. When the module is configured as a master output, then a soft-start capacitor is placed on the RUN/SS pin to ground to control the master ramp rate. Slave operation is performed by putting a resistor divider from the master output to ground, and connecting the center point of the divider to this pin on the slave regulator. If tracking is not desired, then connect the TRACK pin to V_{IN}. Load current must be present for tracking. See Applications Information section.

FB (G2): The Negative Input of the Error Amplifier. Internally, this pin is connected to V_{OUT} with a 4.99k precision resistor. Different output voltages can be programmed with an externally connected resistor between FB and GND pins. Two power modules can current share when this pin is connected in parallel with the adjacent module's FB pin. See Applications Information section.

COMP (G1): Current Control Threshold and Error Amplifier Compensation Point. The current comparator threshold increases with this control voltage. Two power modules can current share when this pin is connected in parallel with the adjacent module's COMP pin.

PGOOD (F1): Output Voltage Power Good Indicator. Open-drain logic output that is pulled to ground when the output voltage is not within $\pm 7.5\%$ of the regulation point.

RUN/SS (D1): Run Control and Soft-Start Pin. A voltage above 0.8V will turn on the module, and below 0.5V will turn off the module. This pin has a 1M resistor to V_{IN} and a 1000pF capacitor to GND. The voltage on the RUN/SS pin clamps the control loop's current comparator threshold. A RUN/SS pin voltage of 2.375V upon completion of soft-start guarantees the regulator can deliver full output current. To turn off the module while V_{IN} remains active, the RUN/SS pin should be pulled low with a falling edge $\leq 1\mu\text{s}$ to ensure the device does not transition slowly through the internal undervoltage lockout threshold. See Applications Information section for soft-start information.

SW (B3 and B4): Switching Node of the circuit is used for testing purposes. This can be connected to copper on the board to improve thermal performance. Make sure not to connect it to other output pins.

BLOCK DIAGRAM

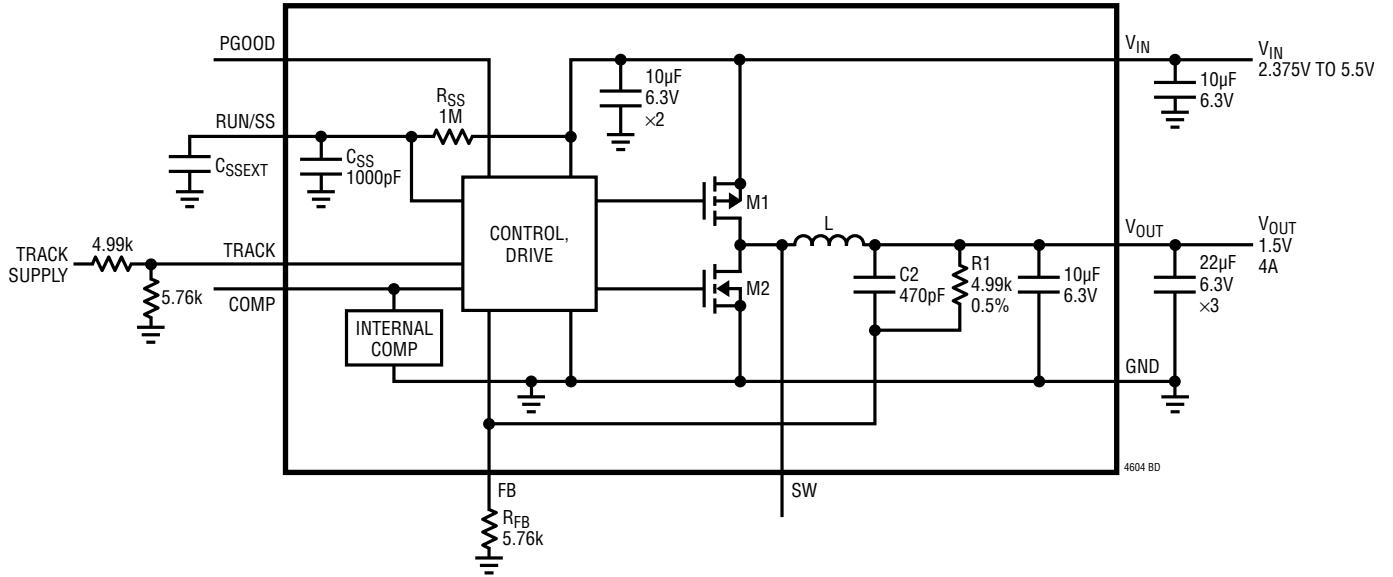


Figure 1. Simplified LTM4604 Block Diagram

DECOUPLING REQUIREMENTS $T_A = 25^\circ\text{C}$. Use Figure 1 Configuration.

| SYMBOL | PARAMETER | CONDITIONS | MIN | TYP | MAX | UNITS |
|-----------|--|-----------------------|-----|-----|-----|---------------|
| C_{IN} | External Input Capacitor Requirement ($V_{IN} = 2.375\text{V to } 5.5\text{V}$, $V_{OUT} = 1.5\text{V}$) | $I_{OUT} = 4\text{A}$ | | 10 | | μF |
| C_{OUT} | External Output Capacitor Requirement ($V_{IN} = 2.375\text{V to } 5.5\text{V}$, $V_{OUT} = 1.5\text{V}$) | $I_{OUT} = 4\text{A}$ | | 66 | | μF |

OPERATION

Power Module Description

The LTM4604 is a standalone non-isolated switch mode DC/DC power supply. It can deliver up to 4A of DC output current with few external input and output capacitors. This module provides a precise regulated output voltage programmable via one external resistor from 0.8V DC to 5.0V DC over a 2.375V to 5.5V input voltage. A typical application schematic is shown in Figure 15.

The LTM4604 has an integrated constant frequency current mode regulator with built-in power MOSFETs with fast switching speed. The typical switching frequency is 1.25MHz. With current mode control and internal feedback loop compensation, the LTM4604 module has sufficient stability margins and good transient performance under a wide range of operating conditions and with a wide range of output capacitors, even all ceramic output capacitors.

Current mode control provides cycle-by-cycle fast current limit. In addition, foldback current limiting is provided in an overcurrent condition while V_{OUT} drops. Internal overvoltage and undervoltage comparators pull the open-drain

PGOOD output low if the output feedback voltage exits a $\pm 7.5\%$ window around the regulation point. Furthermore, in an overvoltage condition, internal top FET M1 is turned off and bottom FET M2 is turned on and held on until the overvoltage condition clears.

Pulling the RUN/SS pin below 0.5V forces the controller into its shutdown state, turning off both M1 and M2. At low load current, the module works in continuous current mode by default to achieve minimum output voltage ripple.

The TRACK pin is used for power supply tracking. See the Applications Information section.

The LTM4604 is internally compensated to be stable over a wide operating range. Table 4 provides a guideline for input and output capacitance for several operating conditions. The LTpowerCAD™ GUI is available for transient and stability analysis.

The FB pin is used to program the output voltage with a single external resistor connected to ground.

APPLICATIONS INFORMATION

A typical LTM4604 application circuit is shown in Figure 15. External component selection is primarily determined by the maximum load current and output voltage. Refer to Table 4 for specific external capacitor requirements for a particular application.

V_{IN} to V_{OUT} Step-Down Ratios

There are restrictions in the maximum V_{IN} and V_{OUT} step-down ratio that can be achieved for a given input voltage. The LTM4604 is 100% duty cycle capable, but the V_{IN} to V_{OUT} minimum dropout is a function of the load current. A typical 0.5V minimum is sufficient (see Typical Performance Characteristics).

Output Voltage Programming

The PWM controller has an internal 0.8V reference voltage. As shown in the Block Diagram, a 4.99k, 0.5% internal feedback resistor connects the V_{OUT} and FB pins together. The output voltage will default to 0.8V with no externally applied feedback resistor. Adding a resistor R_{FB} from the FB pin to GND programs the output voltage:

$$V_{OUT} = 0.8V \cdot \frac{4.99k + R_{FB}}{R_{FB}}$$

Table 1. FB Resistor vs Output Voltage

| V_{OUT} | 0.8V | 1.0V | 1.2V | 1.5V | 1.8V | 2.5V | 3.3V |
|-----------|------|------|------|-------|-------|-------|-------|
| R_{FB} | Open | 20k | 10k | 5.76k | 4.02k | 2.37k | 1.62k |

Input Capacitors

The LTM4604 module should be connected to a low ac-impedance DC source. Two 10 μ F ceramic capacitors are included inside the module. Additional input capacitors are only needed if a large load step is required up to a full 4A level. An input 47 μ F bulk capacitor is only needed if the input source impedance is compromised by long inductive leads or traces.

For a buck converter, the switching duty cycle can be estimated as:

$$D = \frac{V_{OUT}}{V_{IN}}$$

Without considering the inductor current ripple, the RMS current of the input capacitor can be estimated as:

$$I_{CIN(RMS)} = \frac{I_{OUT(MAX)}}{\eta\%} \cdot \sqrt{D \cdot (1-D)}$$

In the above equation, $\eta\%$ is the estimated efficiency of the power module. The bulk capacitor can be a switcher-rated aluminum electrolytic capacitor, OS-CON or polymer capacitor. If a low inductance plane is used to power the device, then no input capacitance is required. The two internal 10 μ F ceramics are typically rated for 2A to 3A of RMS ripple current. The worst-case ripple current for the 4A maximum current is 2A or less.

Output Capacitors

The LTM4604 is designed for low output voltage ripple. The bulk output capacitors defined as C_{OUT} are chosen with low enough effective series resistance (ESR) to meet the output voltage ripple and transient requirements. C_{OUT} can be a low ESR tantalum capacitor, a low ESR polymer capacitor or an X5R/X7R ceramic capacitor. The typical output capacitance range is 22 μ F to 100 μ F. Additional output filtering may be required by the system designer if further reduction of output ripple or dynamic transient spikes is required. Table 4 shows a matrix of different output voltages and output capacitors to minimize the voltage droop and overshoot during a 2A/ μ s transient. The table optimizes the total equivalent ESR and total bulk capacitance to maximize transient performance. The LTpowerCAD GUI is available for further optimization.

Fault Conditions: Current Limit and Overcurrent Foldback

The LTM4604 has current mode control, which inherently limits the cycle-by-cycle inductor current not only in steady-state operation, but also in transient.

To further limit current in the event of an overload condition, the LTM4604 provides foldback current limiting as the output voltage falls. The LTM4604 device has over-temperature shutdown protection that inhibits switching operation around 150°C.

APPLICATIONS INFORMATION

Run Enable and Soft-Start

The RUN/SS pin provides dual functions of enable and soft-start control. The RUN/SS pin is used to control turn on of the LTM4604. While this pin is below 0.5V, the LTM4604 will be in a 7µA low quiescent current state. A 0.8V threshold will enable the LTM4604. This pin can be used to sequence LTM4604 devices. The voltage on the RUN/SS pin clamps the control loop's current comparator threshold. A RUN/SS pin voltage of 2.375V upon completion of soft-start guarantees the regulator can deliver full output current. The soft-start control is provided by a 1M pull-up resistor (R_{SS}) and a 1000pF capacitor (C_{SS}) as shown in the Block Diagram. An external capacitor can be applied to the RUN/SS pin to increase the soft-start time. A typical value is 0.01µF. Soft-start time is approximately given by:

$$t_{SOFTSTART} = \ln\left(\frac{V_{IN}}{V_{IN} - 1.8V}\right) \cdot R_{SS} (C_{SS} + C_{SSEXT})$$

where R_{SS} and C_{SS} are shown in the Block Diagram of Figure 1, 1.8V is the soft-start upper range, and C_{SSEXT} is the additional capacitance for further soft-start control. The soft-start function can also be used to control the output ramp-up time, so that another regulator can be easily tracked. An independent ramp control signal can be applied to the master ramp, otherwise, connect the TRACK pin to V_{IN} to disable tracking. To turn off the module while V_{IN} remains active, the RUN/SS pin should be pulled low with a falling edge $\leq 1\mu s$ to ensure the device does not transition slowly through the internal undervoltage lockout threshold.

Output Voltage Tracking

Output voltage tracking can be programmed externally using the TRACK pin. The output can be tracked up and down with another regulator. The master regulator's output is divided down with an external resistor divider that is the same as the slave regulator's feedback divider to implement coincident tracking. The LTM4604 uses a very accurate 4.99k resistor for the top feedback resistor. Figures 2 and 3 show an example of coincident tracking.

$$V_{TRACK} = \frac{R_{FB2}}{4.99k + R_{FB2}} \cdot V_{MASTER}$$

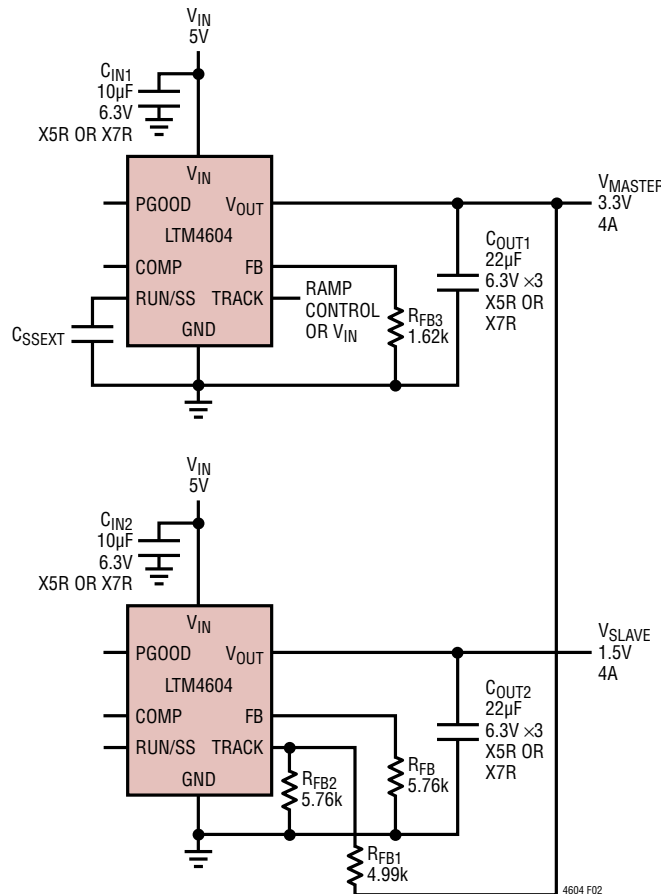


Figure 2. Dual Outputs (3.3V and 1.5V) with Tracking

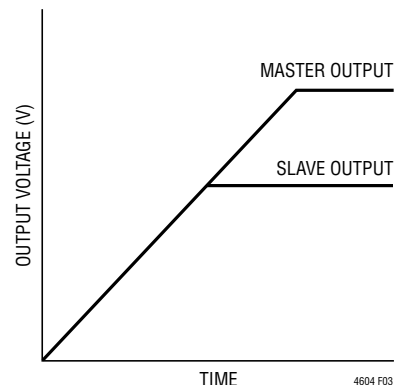


Figure 3. Output Voltage Coincident Tracking

APPLICATIONS INFORMATION

V_{TRACK} is the track ramp applied to the slave's TRACK pin. V_{TRACK} applies the track reference for the slave output up to the point of the programmed value at which V_{TRACK} proceeds beyond the 0.8V reference value. The V_{TRACK} pin must go beyond 0.8V to ensure the slave output has reached its final value. Load current must be present for proper tracking.

Ratiometric modes of tracking can be achieved by selecting different resistor values to change the output tracking ratio. The master output must be greater than the slave output for ratiometric tracking to work. LTspice™ can be used to implement different tracking scenarios. The Master and Slave data inputs can be used to implement the correct resistor values for coincident or ratiometric tracking. The master and slave regulators require load current for tracking down.

Power Good

The PGOOD pin is an open-drain pin that can be used to monitor valid output voltage regulation. This pin monitors a $\pm 7.5\%$ window around the regulation point.

COMP Pin

The COMP pin is the external compensation pin. The LTM4604 has already been internally compensated for all output voltages. Table 4 is provided for most application requirements. The LTpowerCAD GUI is available for other control loop optimizations.

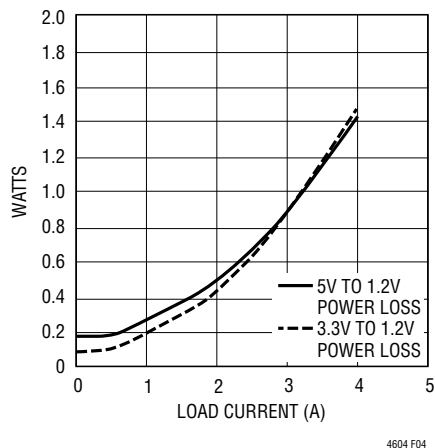


Figure 4. 1.2V Power Loss

Parallel Operation

The LTM4604 device is an inherently current mode controlled device. Parallel modules will have very good current sharing. This will balance the thermals on the design. Figure 16 shows a schematic of the parallel design. The voltage feedback changes with the variable N as more modules are paralleled. The equation:

$$V_{OUT} = 0.8V \cdot \frac{\frac{4.99k}{N} + R_{FB}}{R_{FB}}$$

N is the number of paralleled modules.

Thermal Considerations and Output Current Derating

The power loss curves in Figures 4 and 5 can be used in coordination with the load derating curves in Figures 6 through 13 for calculating an approximate θ_{JA} for the module with and without heat sinking methods with various airflow conditions. Thermal models are derived from several temperature measurements at the bench, and are correlated with thermal analysis software. Tables 2 and 3 provide a summary of the equivalent θ_{JA} for the noted conditions. These equivalent θ_{JA} parameters are correlated to the measured values and improve with air flow. The maximum junction temperature is monitored while the derating curves are derived.

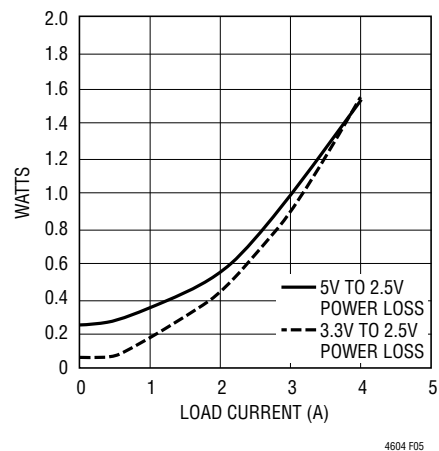


Figure 5. 2.5V Power Loss

APPLICATIONS INFORMATION

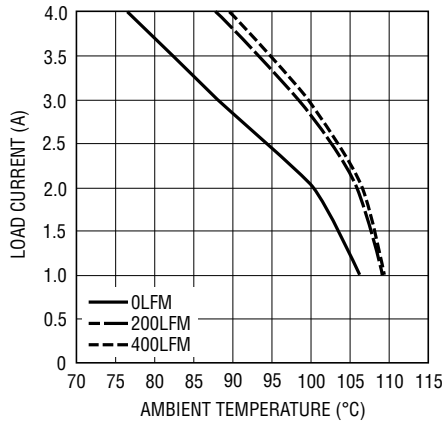


Figure 6. 5V_{IN} to 1.2V_{OUT} No Heat Sink

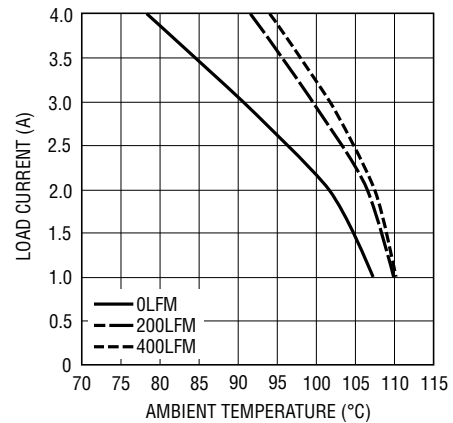


Figure 7. 5V_{IN} to 1.2V_{OUT} with Heat Sink

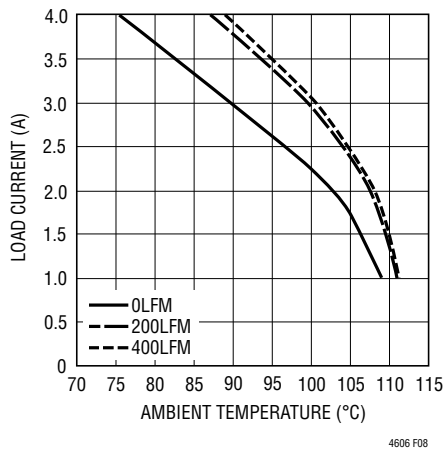


Figure 8. 3.3V_{IN} to 1.2V_{OUT} No Heat Sink

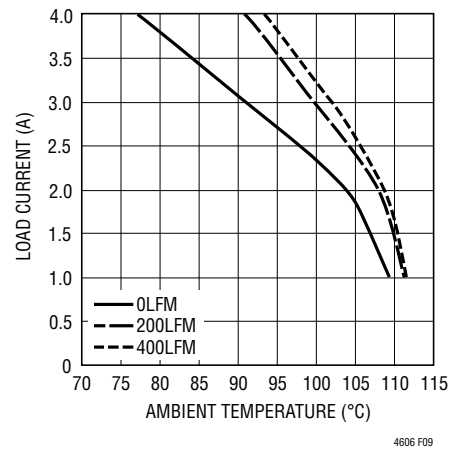


Figure 9. 3.3V_{IN} to 1.2V_{OUT} with Heat Sink

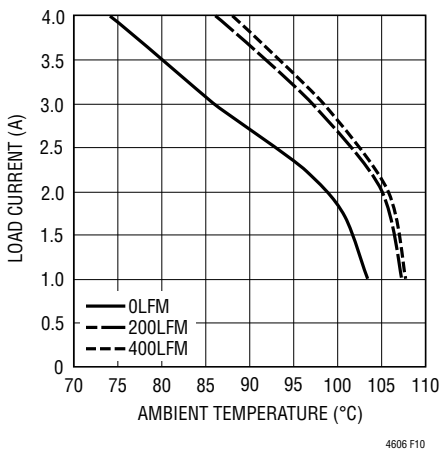


Figure 10. 5V_{IN} to 2.5V_{OUT} No Heat Sink

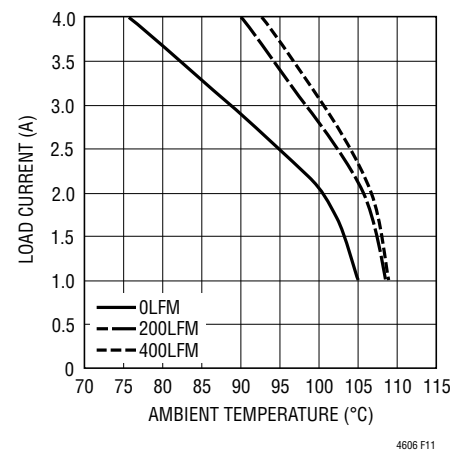


Figure 11. 5V_{IN} to 2.5V_{OUT} with Heat Sink

APPLICATIONS INFORMATION

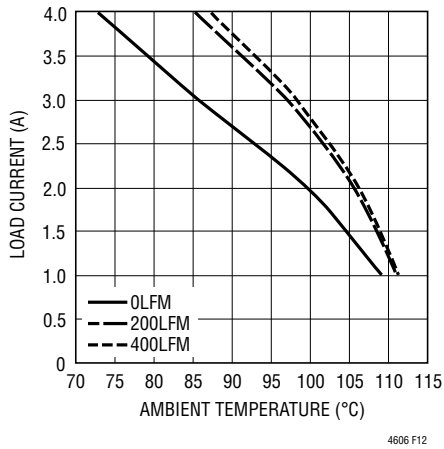


Figure 12. 3.3V_{IN} to 2.5V_{OUT} No Heat Sink

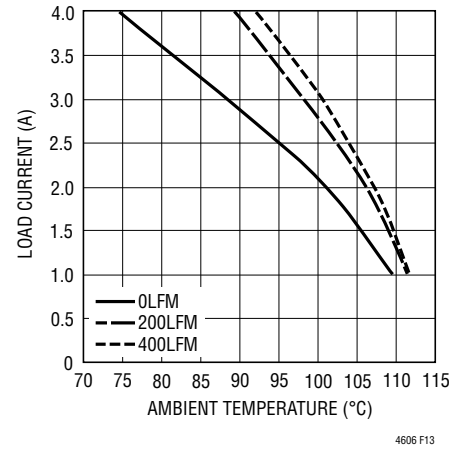


Figure 13. 3.3V_{IN} to 2.5V_{OUT} with Heat Sink

APPLICATIONS INFORMATION

Table 2. 1.2V Output

| DERATING CURVE | V _{IN} (V) | POWER LOSS CURVE | AIR FLOW (LFM) | HEAT SINK | θ _{JA} (°C/W) |
|----------------|---------------------|------------------|----------------|---------------|------------------------|
| Figures 6, 8 | 3.3, 5 | Figure 4 | 0 | None | 25 |
| Figures 6, 8 | 3.3, 5 | Figure 4 | 200 | None | 22.5 |
| Figures 6, 8 | 3.3, 5 | Figure 4 | 400 | None | 21 |
| Figures 7, 9 | 3.3, 5 | Figure 4 | 0 | BGA Heat Sink | 21 |
| Figures 7, 9 | 3.3, 5 | Figure 4 | 200 | BGA Heat Sink | 20 |
| Figures 7, 9 | 3.3, 5 | Figure 4 | 400 | BGA Heat Sink | 18 |

Table 3. 2.5V Output

| DERATING CURVE | V _{IN} (V) | POWER LOSS CURVE | AIR FLOW (LFM) | HEAT SINK | θ _{JA} (°C/W) |
|----------------|---------------------|------------------|----------------|---------------|------------------------|
| Figures 10, 12 | 3.3, 5 | Figure 5 | 0 | None | 25 |
| Figures 10, 12 | 3.3, 5 | Figure 5 | 200 | None | 21 |
| Figures 10, 12 | 3.3, 5 | Figure 5 | 400 | None | 21 |
| Figures 11, 13 | 3.3, 5 | Figure 5 | 0 | BGA Heat Sink | 21 |
| Figures 11, 13 | 3.3, 5 | Figure 5 | 200 | BGA Heat Sink | 18 |
| Figures 11, 13 | 3.3, 5 | Figure 5 | 400 | BGA Heat Sink | 16 |

Table 4. Output Voltage Response Versus Component Matrix (Refer to Figure 17), 0A to 2A Load Step Typical Measured Values

| V _{OUT} (V) | C _{IN} (CERAMIC) | C _{IN} (Bulk) | C _{OUT} (CERAMIC) | C _{COMP} | V _{IN} (V) | DROOP (mV) | PEAK-TO-PEAK(mV) | RECOVERY (μs) | LOAD STEP (A/μs) | R _{FB} (kΩ) |
|----------------------|---------------------------|------------------------|----------------------------|-------------------|---------------------|------------|------------------|---------------|------------------|----------------------|
| 1.2 | 10μF | 56μF Aluminum | 100μF 6.3V | None | 2.5 | 21 | 43 | 10 | 2 | 10 |
| 1.2 | 10μF | 56μF Aluminum | 22μF ×4 | None | 3.3 | 23 | 45 | 10 | 2 | 10 |
| 1.2 | 10μF | 56μF Aluminum | 22μF ×4 | None | 5 | 24 | 46 | 10 | 2 | 10 |
| 1.5 | 10μF | 56μF Aluminum | 100μF 6.3V | None | 2.5 | 19 | 41 | 10 | 2 | 5.76 |
| 1.5 | 10μF | 56μF Aluminum | 22μF ×4 | None | 3.3 | 21 | 43 | 10 | 2 | 5.76 |
| 1.5 | 10μF | 56μF Aluminum | 22μF ×4 | None | 5 | 21 | 43 | 10 | 2 | 5.76 |
| 1.8 | 10μF | 56μF Aluminum | 100μF 6.3V | None | 2.5 | 25 | 50 | 10 | 2 | 4.02 |
| 1.8 | 10μF | 56μF Aluminum | 22μF ×3 | None | 3.3 | 30 | 60 | 10 | 2 | 4.02 |
| 1.8 | 10μF | 56μF Aluminum | 22μF ×3 | None | 5 | 30 | 60 | 10 | 2 | 4.02 |
| 2.5 | 10μF | 56μF Aluminum | 100μF 6.3V | None | 2.5 | 22 | 45 | 12 | 2 | 2.37 |
| 2.5 | 10μF | 56μF Aluminum | 22μF ×3 | None | 3.3 | 25 | 55 | 12 | 2 | 2.37 |
| 2.5 | 10μF | 56μF Aluminum | 22μF ×3 | None | 5 | 25 | 55 | 12 | 2 | 2.37 |
| 3.3 | 10μF | 56μF Aluminum | 100μF 6.3V | None | 2.5 | 22 | 50 | 15 | 2 | 1.62 |
| 3.3 | 10μF | 56μF Aluminum | 22μF ×3 | None | 3.3 | 25 | 56 | 15 | 2 | 1.62 |
| 3.3 | 10μF | 56μF Aluminum | 22μF ×3 | None | 5 | 25 | 56 | 15 | 2 | 1.62 |

APPLICATIONS INFORMATION

Safety Considerations

The LTM4604 μ Module regulator does not provide galvanic isolation from V_{IN} to V_{OUT} . There is no internal fuse. If required, a slow blow fuse with a rating twice the maximum input current needs to be provided to protect each unit from catastrophic failure.

Layout Checklist/Example

The high integration of LTM4604 makes the PCB board layout very simple and easy. However, to optimize its electrical and thermal performance, some layout considerations are still necessary.

- Use large PCB copper areas for high current path, including V_{IN} , GND and V_{OUT} . It helps to minimize the PCB conduction loss and thermal stress.
- Place high frequency ceramic input and output capacitors next to the V_{IN} , GND and V_{OUT} pins to minimize high frequency noise.
- Place a dedicated power ground layer underneath the unit.
- To minimize the via conduction loss and reduce module thermal stress, use multiple vias for interconnection between top layer and other power layers.

- Do not put vias directly on the pads unless they are capped.
- SW pads can be soldered to board to improve thermal performance.

Figure 14 gives a good example of the recommended layout. **For easier PC board layout and assembly due to increased spacing between land grid pads, please refer to the LTM4604A.**

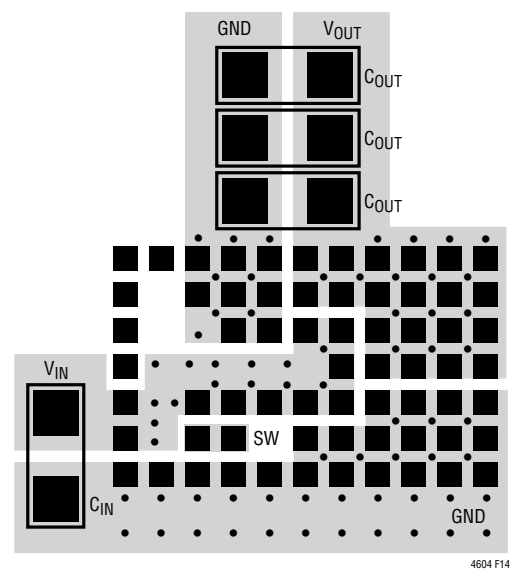


Figure 14. Recommended PCB Layout

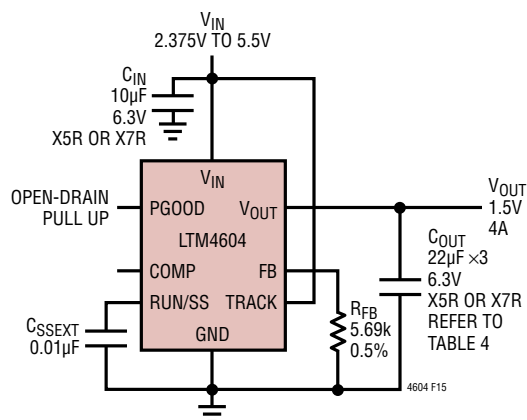


Figure 15. Typical 2.375V to 5.5V Input, 1.5V at 4A Design

TYPICAL APPLICATIONS

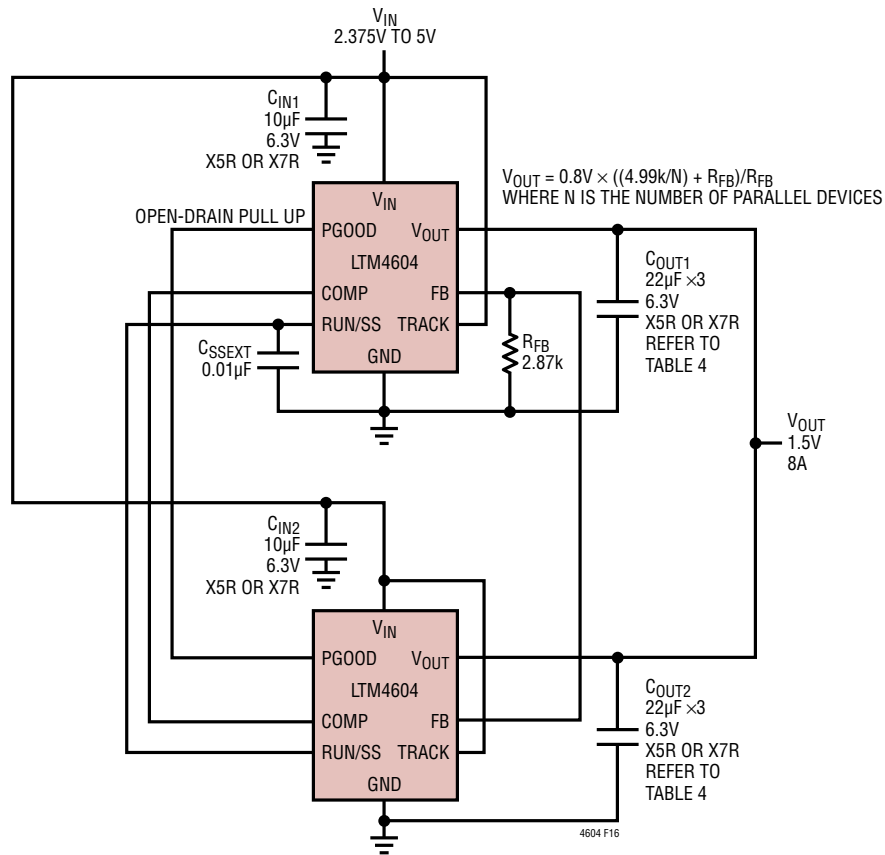


Figure 16. Two LTM4604s in Parallel, 1.5V at 8A Design.
Also See the 8A LTM4608A or Dual 4A per Channel LTM4614

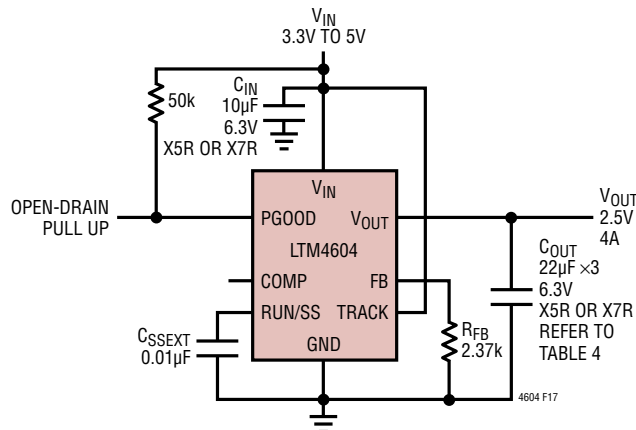
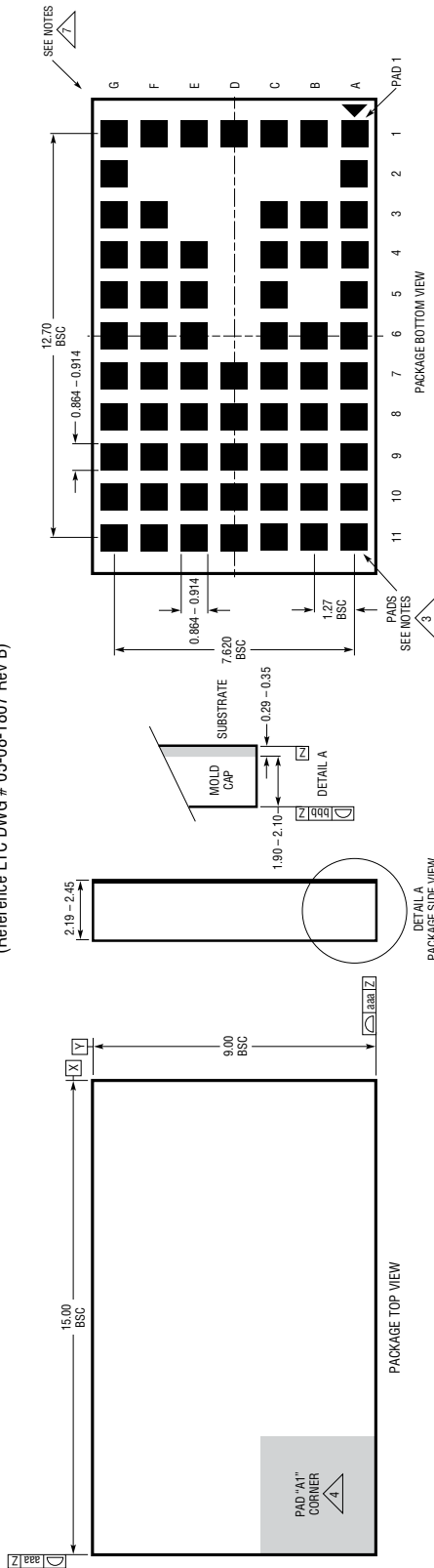


Figure 17. 3.3V to 5V Input, 2.5V at 4A Design

PACKAGE DESCRIPTION

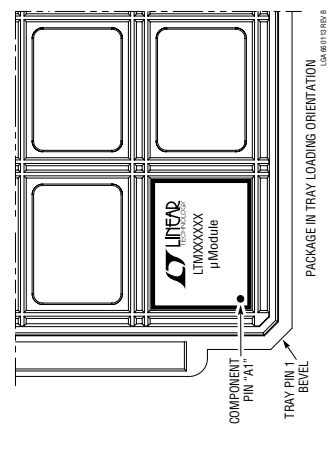
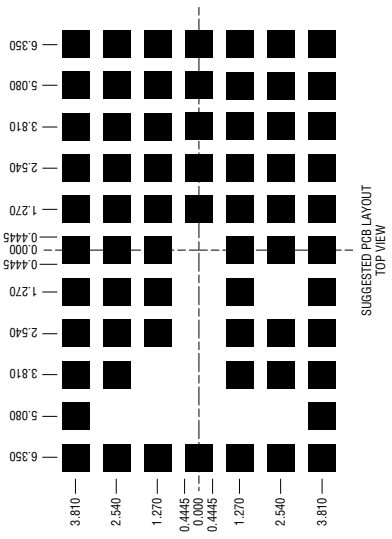
Please refer to <http://www.linear.com/designtools/packaging/> for the most recent package drawings.

LGA Package
66-Lead (15mm × 9mm × 2.32mm)
 (Reference LTC DWG # 05-08-1807 Rev B)



- NOTES:
1. DIMENSIONING AND TOLERANCING PER ASME Y14.5M-1994
 2. ALL DIMENSIONS ARE IN MILLIMETERS
 3. LAND DESIGNATION PER JEDEC MO-222
 4. DETAILS OF PAD #1 IDENTIFIER ARE OPTIONAL BUT MUST BE LOCATED WITHIN THE ZONE INDICATED. THE PAD #1 IDENTIFIER MAY BE EITHER A MOLD OR A MARKED FEATURE
 5. PRIMARY DATUM -Z- IS SEATING PLANE
 6. THE TOTAL NUMBER OF PADS: 66
 7. PACKAGE ROW AND COLUMN LABELING MAY VARY AMONG μ Module PRODUCTS. REVIEW EACH PACKAGE LAYOUT CAREFULLY

| SYMBOL | TOLERANCE |
|--------|-----------|
| aaa | 0.15 |
| bbb | 0.10 |



PACKAGE DESCRIPTION

Pin Assignment Table
(Arranged by Pin Number)

| PIN ID | FUNCTION | PIN ID | FUNCTION | PIN ID | FUNCTION | PIN ID | FUNCTION |
|--------|----------|--------|-----------------|--------|-----------------|--------|------------------|
| A1 | GND | B1 | V _{IN} | C1 | V _{IN} | D1 | RUN/SS |
| A2 | GND | B2 | – | C2 | – | D2 | – |
| A3 | GND | B3 | SW | C3 | V _{IN} | D3 | – |
| A4 | GND | B4 | SW | C4 | V _{IN} | D4 | – |
| A5 | GND | B5 | – | C5 | V _{IN} | D5 | – |
| A6 | GND | B6 | GND | C6 | V _{IN} | D6 | – |
| A7 | GND | B7 | GND | C7 | V _{IN} | D7 | V _{IN} |
| A8 | GND | B8 | GND | C8 | GND | D8 | V _{OUT} |
| A9 | GND | B9 | GND | C9 | GND | D9 | V _{OUT} |
| A10 | GND | B10 | GND | C10 | GND | D10 | V _{OUT} |
| A11 | GND | B11 | GND | C11 | GND | D11 | V _{OUT} |

| PIN ID | FUNCTION | PIN ID | FUNCTION | PIN ID | FUNCTION |
|--------|------------------|--------|------------------|--------|------------------|
| E1 | TRACK | F1 | PGOOD | G1 | COMP |
| E2 | – | F2 | – | G2 | FB |
| E3 | – | F3 | GND | G3 | GND |
| E4 | GND | F4 | GND | G4 | GND |
| E5 | GND | F5 | GND | G5 | GND |
| E6 | V _{IN} | F6 | V _{OUT} | G6 | V _{OUT} |
| E7 | V _{IN} | F7 | V _{OUT} | G7 | V _{OUT} |
| E8 | V _{OUT} | F8 | V _{OUT} | G8 | V _{OUT} |
| E9 | V _{OUT} | F9 | V _{OUT} | G9 | V _{OUT} |
| E10 | V _{OUT} | F10 | V _{OUT} | G10 | V _{OUT} |
| E11 | V _{OUT} | F11 | V _{OUT} | G11 | V _{OUT} |

REVISION HISTORY

| REV | DATE | DESCRIPTION | PAGE NUMBER |
|-----|------|--|-------------|
| A | 5/10 | Updated Front Page Text | 1 |
| | | Updated Absolute Maximum Ratings and Pin Configuration Section | 2 |
| | | Updated Callouts on Graphs | 5 |
| | | Added text to Layout Checklist/Example Section | 15 |
| | | Updated Figure 16 Title | 15 |
| B | 5/14 | Updated thermal resistance and weight | 2 |
| | | Updated Minimum Input Voltage graph | 4 |
| | | Added output current information to Load Transient Response curves | 4 |
| | | Updated RUN/SS Pin Description | 6 |
| | | Updated Run Enable and Soft-Start section | 10 |

RELATED PARTS

| PART NUMBER | DESCRIPTION | COMMENTS |
|--------------------------|---|---|
| LTC2900 | Quad Supply Monitor with Adjustable Reset Timer | Monitors Four Supplies; Adjustable Reset Timer |
| LTC2923 | Power Supply Tracking Controller | Tracks Both Up and Down; Power Supply Sequencing |
| LTM4600 | 10A DC/DC μ Module Regulator | Basic 10A DC/DC μ Module Regulator |
| LTM4601 | 12A DC/DC μ Module Regulator with PLL, Output Tracking/ Margining and Remote Sensing | Synchronizable, PolyPhase Operation, LTM4601-1 Version has no Remote Sensing |
| LTM4602 | 6A DC/DC μ Module Regulator | Pin Compatible with the LTM4600 |
| LTM4603 | 6A DC/DC μ Module Regulator with PLL and Output Tracking/Margining and Remote Sensing | Synchronizable, PolyPhase Operation, LTM4603-1 Version has no Remote Sensing, Pin Compatible with the LTM4601 |
| LTM4608A | 8A Low Voltage μ Module Regulator | $2.375V \leq V_{IN} \leq 5V$, Parallel for Higher Output Current, $9mm \times 15mm \times 2.82mm$ |

Looking for pricing, stock, or lifecycle information?

Click below to explore more details on WIN SOURCE:

 [View LTM4604EV#PBF on WIN SOURCE](#)

 [Linear Technology](#) Information

Optimize Your Supply Chain with WIN SOURCE Solutions

-  Global Sourcing Solution
-  Obsolete Management
-  Cost Control Management
-  Shortage Management
-  Alternative Solution
-  Excess Inventory Management