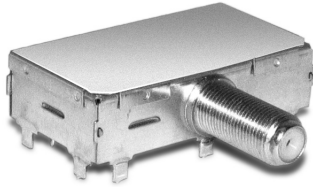


DIPLEXERS FOR MULTIMEDIA OVER COAX DEVICES

MOCA[®]



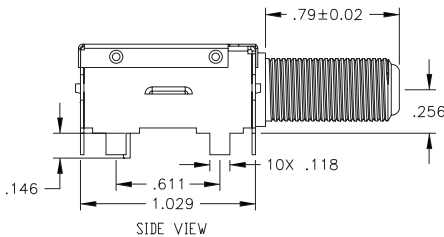
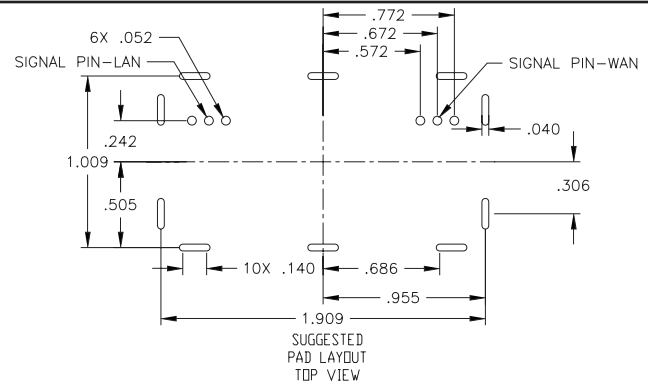
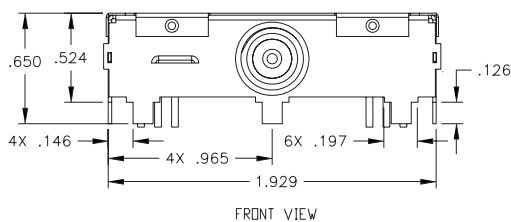
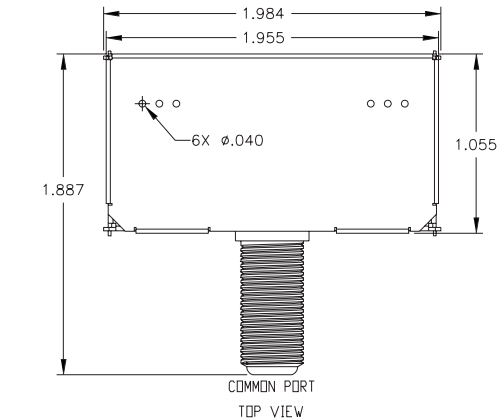
- ✔ Supports Multimedia over Coax Alliance (MoCA[®]) applications, including set-top boxes, gateway devices and wireless interfaces
- ✔ Allows video, broadband and cable services to coexist on coax
- ✔ Supports TelcoTV and IPTV applications
- ✔ Frequency compliant to Entropic c-LINK[™] dual-channel chipset
- ✔ Pulse is a member of the MoCA[®] Alliance
- ✔ Patent pending

Electrical Specifications @ 25°C

Part Number	Low Pass Filter WAN (MHz)	High Pass Filter LAN (MHz)	Impedance (Ω)
C6058	975-1025	1125-1525	75
C6141NL ^{1,2}	975-1025	1125-1525	75

1. C6141NL Pin outs are opposite with that of the C6058
2. NL - Lead Free

Mechanical



Weight 20 grams
Tray 20/tray

Dimensions: Inches
mm
Unless otherwise specified, all tolerances are ± .010
0,25

For More Information:

Pulse Worldwide Headquarters
12220 World Trade Dr.
San Diego, CA 92128
U.S.A.

Pulse Europe
Einsteinstrasse 1
D-71083 Herrenberg
Germany

Pulse China Headquarters
B402, Shenzhen Academy of
Aerospace Technology Bldg.
10th Kejinan Rd.
High-Tech Zone
Nanshan District
Shenzhen, PR China 518057
TEL: 86 755 33966678
FAX: 86 755 33966700

Pulse North China
Room 1503
XinYin Building
No. 888 YiShan Rd.
Shanghai 200233
China

Pulse South Asia
150 Kampong Ampat
#07-01/02
KA Centre
Singapore 368324

Pulse North Asia
No. 26, Kao Ching Rd.
Yang Mei Chen
Taoyuan Hsien
Taiwan
R. O. C.

www.pulseeng.com
Tel: 858 674 8100
Fax: 858 674 8262

Tel: 49 7032 7806 0
Fax: 49 7032 7806 135

Tel: 86 21 54643211/2
Fax: 86 21 54643210

Tel: 65 6287 8998
Fax: 65 6280 0080

Tel: 886 3 4643715
Fax: 886 3 4641911

Performance warranty of products offered on this data sheet is limited to the parameters specified. Data is subject to change without notice. Other brand and product names mentioned herein may be trademarks or registered trademarks of their respective owners.

© Copyright, 2006. Pulse Engineering, Inc. All rights reserved.

www.pulseeng.com

C252.B (10/08)

Looking for pricing, stock, or lifecycle information?

Click below to explore more details on WIN SOURCE:

 [View C6058NL on WIN SOURCE](#)

 [Pulse Information](#)

Optimize Your Supply Chain with WIN SOURCE Solutions

-  Global Sourcing Solution
-  Obsolete Management
-  Cost Control Management
-  Shortage Management
-  Alternative Solution
-  Excess Inventory Management