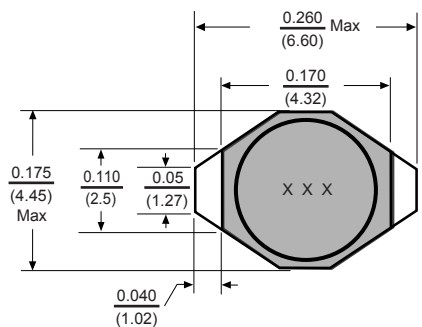
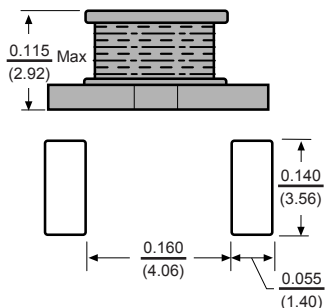




# PCI20 Power Chip Inductors



Dimensions:  $\frac{\text{Inches}}{\text{(mm)}}$



## Features

- Ultraminiature foot print for high density mounting
- High current rating for their small size
- High energy storage with low DCR
- Designed with high heat resistant materials for reflow operation
- Flat top for pick and place assembly
- Non standard values available

## Electrical

**Inductance Range:** 1.0 $\mu$ h to 1000 $\mu$ h.

**Tolerance:**  $\pm$  20% over the entire inductance range.

**Test Frequency:** Inductance measured at 100KHz, 0.1 Vrms.

**Operating Temp. Range:** -40° to +85°C.

**Inductance Drop:** 10% typical at Isat.

**Temperature Rise:**  $\Delta T=15^{\circ}\text{C}$  rise typical at Irms.

## Physical

**Marking:** EIA Inductance Code



**Packaging:** 750 pieces per 7 inch reel.  
2500 pieces per 13 inch reel.

| Allied Part Number | Inductance ( $\mu$ h) | Tolerance (%) | SRF MHz. TYP. | DCR Max. ( $\Omega$ ) | Isat (A) | Irms (A) |
|--------------------|-----------------------|---------------|---------------|-----------------------|----------|----------|
| PCI20-1R0M-RC      | 1.0                   | 20            | 130           | 0.05                  | 2.90     | 2.90     |
| PCI20-1R5M-RC      | 1.5                   | 20            | 115           | 0.05                  | 2.60     | 2.80     |
| PCI20-2R2M-RC      | 2.2                   | 20            | 90            | 0.07                  | 2.30     | 2.40     |
| PCI20-3R3M-RC      | 3.3                   | 20            | 70            | 0.08                  | 2.00     | 2.00     |
| PCI20-4R7M-RC      | 4.7                   | 20            | 50            | 0.09                  | 1.50     | 1.50     |
| PCI20-5R6M-RC      | 5.6                   | 20            | 47            | 0.11                  | 1.30     | 1.40     |
| PCI20-6R8M-RC      | 6.8                   | 20            | 45            | 0.13                  | 1.20     | 1.40     |
| PCI20-100M-RC      | 10                    | 20            | 35            | 0.16                  | 1.10     | 1.10     |
| PCI20-150M-RC      | 15                    | 20            | 30            | 0.23                  | 0.90     | 1.20     |
| PCI20-220M-RC      | 22                    | 20            | 20            | 0.37                  | 0.70     | 0.80     |
| PCI20-330M-RC      | 33                    | 20            | 15            | 0.51                  | 0.58     | 0.60     |
| PCI20-470M-RC      | 47                    | 20            | 14            | 0.64                  | 0.50     | 0.50     |
| PCI20-680M-RC      | 68                    | 20            | 11            | 0.86                  | 0.40     | 0.40     |
| PCI20-101M-RC      | 100                   | 20            | 9.0           | 1.27                  | 0.31     | 0.30     |
| PCI20-151M-RC      | 150                   | 20            | 6.0           | 2.00                  | 0.27     | 0.25     |
| PCI20-221M-RC      | 220                   | 20            | 5.5           | 3.11                  | 0.22     | 0.20     |
| PCI20-331M-RC      | 330                   | 20            | 5.0           | 3.80                  | 0.18     | 0.16     |
| PCI20-471M-RC      | 470                   | 20            | 4.0           | 5.06                  | 0.16     | 0.15     |
| PCI20-681M-RC      | 680                   | 20            | 3.0           | 9.20                  | 0.14     | 0.12     |
| PCI20-102M-RC      | 1000                  | 20            | 2.0           | 13.8                  | 0.10     | 0.07     |

All specifications subject to change without notice.

## Looking for pricing, stock, or lifecycle information?

Click below to explore more details on WIN SOURCE:

-  [View PCI20-471M-RC on WIN SOURCE](#)
-  [Allied Components International](#) Information

## Optimize Your Supply Chain with WIN SOURCE Solutions

-  Global Sourcing Solution
-  Obsolete Management
-  Cost Control Management
-  Shortage Management
-  Alternative Solution
-  Excess Inventory Management