



**THE DATASHEET OF
AT24C02N-10SI-1.8**



Features

- **Low-voltage and Standard-voltage Operation**
 - 5.0 ($V_{CC} = 4.5V$ to 5.5V)
 - 2.7 ($V_{CC} = 2.7V$ to 5.5V)
 - 2.5 ($V_{CC} = 2.5V$ to 5.5V)
 - 1.8 ($V_{CC} = 1.8V$ to 5.5V)
- **Internally Organized 128 x 8 (1K), 256 x 8 (2K), 512 x 8 (4K), 1024 x 8 (8K) or 2048 x 8 (16K)**
- **2-wire Serial Interface**
- **Schmitt Trigger, Filtered Inputs for Noise Suppression**
- **Bi-directional Data Transfer Protocol**
- **100 kHz (1.8V, 2.5V, 2.7V) and 400 kHz (5V) Compatibility**
- **Write Protect Pin for Hardware Data Protection**
- **8-byte Page (1K, 2K), 16-byte Page (4K, 8K, 16K) Write Modes**
- **Partial Page Writes are Allowed**
- **Self-timed Write Cycle (10 ms max)**
- **High-reliability**
 - **Endurance: 1 Million Write Cycles**
 - **Data Retention: 100 Years**
- **Automotive Grade and Extended Temperature Devices Available**
- **8-lead JEDEC SOIC, 8-pin PDIP and 8-lead TSSOP Packages**

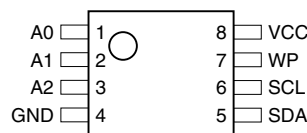
Description

The AT24C01A/02/04/08/16 provides 1024/2048/4096/8192/16384 bits of serial electrically erasable and programmable read-only memory (EEPROM) organized as 128/256/512/1024/2048 words of 8 bits each. The device is optimized for use in many industrial and commercial applications where low-power and low-voltage operation are essential. The AT24C01A/02/04/08/16 is available in space-saving 8-pin PDIP, (AT24C01A/02/04/08/16), 8-lead TSSOP (AT24C01A/02/04/08/16) and 8-lead JEDEC SOIC (AT24C01A/02/04/08/16) packages and is accessed via a 2-wire serial interface. In addition, the entire family is available in 5.0V (4.5V to 5.5V), 2.7V (2.7V to 5.5V), 2.5V (2.5V to 5.5V) and 1.8V (1.8V to 5.5V) versions.

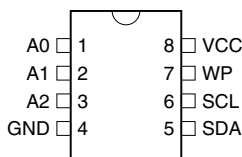
Pin Configurations

| Pin Name | Function |
|----------|--------------------|
| A0 - A2 | Address Inputs |
| SDA | Serial Data |
| SCL | Serial Clock Input |
| WP | Write Protect |
| NC | No Connect |

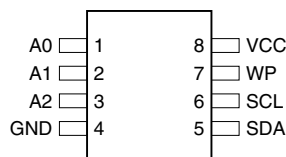
8-lead TSSOP



8-pin PDIP



8-lead SOIC



2-wire Serial EEPROM

1K (128 x 8)

2K (256 x 8)

4K (512 x 8)

8K (1024 x 8)

16K (2048 x 8)

AT24C01A

AT24C02

AT24C04

AT24C08

AT24C16



Absolute Maximum Ratings

| | |
|---|-----------------|
| Operating Temperature..... | -55°C to +125°C |
| Storage Temperature..... | -65°C to +150°C |
| Voltage on Any Pin with Respect to Ground..... | -1.0V to +7.0V |
| Maximum Operating Voltage..... | 6.25V |
| DC Output Current..... | 5.0 mA |

***NOTICE:** Stresses beyond those listed under “Absolute Maximum Ratings” may cause permanent damage to the device. This is a stress rating only and functional operation of the device at these or any other conditions beyond those indicated in the operational sections of this specification is not implied. Exposure to absolute maximum rating conditions for extended periods may affect device reliability.

Block Diagram



Pin Description

SERIAL CLOCK (SCL): The SCL input is used to positive edge clock data into each EEPROM device and negative edge clock data out of each device.

SERIAL DATA (SDA): The SDA pin is bi-directional for serial data transfer. This pin is open-drain driven and may be wire-ORed with any number of other open-drain or open-collector devices.

DEVICE/PAGE ADDRESSES (A2, A1, A0): The A2, A1 and A0 pins are device address inputs that are hard wired for the AT24C01A and the AT24C02. As many as eight 1K/2K devices may be addressed on a single bus system (device addressing is discussed in detail under the Device Addressing section).

The AT24C04 uses the A2 and A1 inputs for hard wire addressing and a total of four 4K devices may be

addressed on a single bus system. The A0 pin is a no connect.

The AT24C08 only uses the A2 input for hardwire addressing and a total of two 8K devices may be addressed on a single bus system. The A0 and A1 pins are no connects.

The AT24C16 does not use the device address pins, which limits the number of devices on a single bus to one. The A0, A1 and A2 pins are no connects.

WRITE PROTECT (WP): The AT24C01A/02/04/16 has a Write Protect pin that provides hardware data protection. The Write Protect pin allows normal read/write operations when connected to ground (GND). When the Write Protect pin is connected to V_{CC}, the write protection feature is enabled and operates as shown in the following table.

| WP Pin Status | Part of the Array Protected | | | | |
|--------------------|------------------------------|-----------------|-----------------|-----------------------------|-----------------------|
| | 24C01A | 24C02 | 24C04 | 24C08 | 24C16 |
| At V _{CC} | Full (1K) Array | Full (2K) Array | Full (4K) Array | Normal Read/Write Operation | Upper Half (8K) Array |
| At GND | Normal Read/Write Operations | | | | |

AT24C02, 2K SERIAL EEPROM: Internally organized with 32 pages of 8 bytes each, the 2K requires an 8-bit data word address for random word addressing.

AT24C04, 4K SERIAL EEPROM: Internally organized with 32 pages of 16 bytes each, the 4K requires a 9-bit data word address for random word addressing.

AT24C08, 8K SERIAL EEPROM: Internally organized with 64 pages of 16 bytes each, the 8K requires a 10-bit data word address for random word addressing.

AT24C16, 16K SERIAL EEPROM: Internally organized with 128 pages of 16 bytes each, the 16K requires an 11-bit data word address for random word addressing.

Memory Organization

AT24C01A, 1K SERIAL EEPROM: Internally organized with 16 pages of 8 bytes each, the 1K requires a 7-bit data word address for random word addressing.

Pin Capacitance⁽¹⁾

Applicable over recommended operating range from T_A = 25°C, f = 1.0 MHz, V_{CC} = +1.8V.

| Symbol | Test Condition | Max | Units | Conditions |
|------------------|--|-----|-------|-----------------------|
| C _{I/O} | Input/Output Capacitance (SDA) | 8 | pF | V _{I/O} = 0V |
| C _{IN} | Input Capacitance (A ₀ , A ₁ , A ₂ , SCL) | 6 | pF | V _{IN} = 0V |

Note: 1. This parameter is characterized and is not 100% tested.

DC Characteristics

Applicable over recommended operating range from: T_{AI} = -40°C to +85°C, V_{CC} = +1.8V to +5.5V, T_{AC} = 0°C to +70°C, V_{CC} = +1.8V to +5.5V (unless otherwise noted).

| Symbol | Parameter | Test Condition | Min | Typ | Max | Units |
|------------------|---|---|-----------------------|------|-----------------------|-------|
| V _{CC1} | Supply Voltage | | 1.8 | | 5.5 | V |
| V _{CC2} | Supply Voltage | | 2.5 | | 5.5 | V |
| V _{CC3} | Supply Voltage | | 2.7 | | 5.5 | V |
| V _{CC4} | Supply Voltage | | 4.5 | | 5.5 | V |
| I _{CC} | Supply Current V _{CC} = 5.0V | READ at 100 kHz | | 0.4 | 1.0 | mA |
| I _{CC} | Supply Current V _{CC} = 5.0V | WRITE at 100 kHz | | 2.0 | 3.0 | mA |
| I _{SB1} | Standby Current V _{CC} = 1.8V | V _{IN} = V _{CC} or V _{SS} | | 0.6 | 3.0 | µA |
| I _{SB2} | Standby Current V _{CC} = 2.5V | V _{IN} = V _{CC} or V _{SS} | | 1.4 | 4.0 | µA |
| I _{SB3} | Standby Current V _{CC} = 2.7V | V _{IN} = V _{CC} or V _{SS} | | 1.6 | 4.0 | µA |
| I _{SB4} | Standby Current V _{CC} = 5.0V | V _{IN} = V _{CC} or V _{SS} | | 8.0 | 18.0 | µA |
| I _{LI} | Input Leakage Current | V _{IN} = V _{CC} or V _{SS} | | 0.10 | 3.0 | µA |
| I _{LO} | Output Leakage Current | V _{OUT} = V _{CC} or V _{SS} | | 0.05 | 3.0 | µA |
| V _{IL} | Input Low Level ⁽¹⁾ | | -0.6 | | V _{CC} × 0.3 | V |
| V _{IH} | Input High Level ⁽¹⁾ | | V _{CC} × 0.7 | | V _{CC} + 0.5 | V |
| V _{OL2} | Output Low Level V _{CC} = 3.0V | I _{OL} = 2.1 mA | | | 0.4 | V |
| V _{OL1} | Output Low Level V _{CC} = 1.8V | I _{OL} = 0.15 mA | | | 0.2 | V |

Note: 1. V_{IL} min and V_{IH} max are reference only and are not tested.



AC Characteristics

Applicable over recommended operating range from $T_A = -40^{\circ}\text{C}$ to $+85^{\circ}\text{C}$, $V_{CC} = +1.8\text{V}$ to $+5.5\text{V}$, $CL = 1$ TTL Gate and 100 pF (unless otherwise noted).

| Symbol | Parameter | 2.7-, 2.5-, 1.8-volt | | 5.0-volt | | Units |
|--------------------------|--|----------------------|-----|----------|-----|---------------|
| | | Min | Max | Min | Max | |
| f_{SCL} | Clock Frequency, SCL | | 100 | | 400 | kHz |
| t_{LOW} | Clock Pulse Width Low | 4.7 | | 1.2 | | μs |
| t_{HIGH} | Clock Pulse Width High | 4.0 | | 0.6 | | μs |
| t_I | Noise Suppression Time ⁽¹⁾ | | 100 | | 50 | ns |
| t_{AA} | Clock Low to Data Out Valid | 0.1 | 4.5 | 0.1 | 0.9 | μs |
| t_{BUF} | Time the bus must be free before a new transmission can start ⁽¹⁾ | 4.7 | | 1.2 | | μs |
| $t_{HD.STA}$ | Start Hold Time | 4.0 | | 0.6 | | μs |
| $t_{SU.STA}$ | Start Setup Time | 4.7 | | 0.6 | | μs |
| $t_{HD.DAT}$ | Data In Hold Time | 0 | | 0 | | μs |
| $t_{SU.DAT}$ | Data In Setup Time | 200 | | 100 | | ns |
| t_R | Inputs Rise Time ⁽¹⁾ | | 1.0 | | 0.3 | μs |
| t_F | Inputs Fall Time ⁽¹⁾ | | 300 | | 300 | ns |
| $t_{SU.STO}$ | Stop Setup Time | 4.7 | | 0.6 | | μs |
| t_{DH} | Data Out Hold Time | 100 | | 50 | | ns |
| t_{WR} | Write Cycle Time | | 10 | | 10 | ms |
| Endurance ⁽¹⁾ | 5.0V, 25°C, Byte Mode | 1M | | 1M | | Write Cycles |

Note: 1. This parameter is characterized and is not 100% tested.

Device Operation

CLOCK and DATA TRANSITIONS: The SDA pin is normally pulled high with an external device. Data on the SDA pin may change only during SCL low time periods (refer to Data Validity timing diagram). Data changes during SCL high periods will indicate a start or stop condition as defined below.

START CONDITION: A high-to-low transition of SDA with SCL high is a start condition which must precede any other command (refer to Start and Stop Definition timing diagram).

STOP CONDITION: A low-to-high transition of SDA with SCL high is a stop condition. After a read sequence, the stop command will place the EEPROM in a standby power mode (refer to Start and Stop Definition timing diagram).

ACKNOWLEDGE: All addresses and data words are serially transmitted to and from the EEPROM in 8-bit words. The EEPROM sends a zero to acknowledge that it has received each word. This happens during the ninth clock cycle.

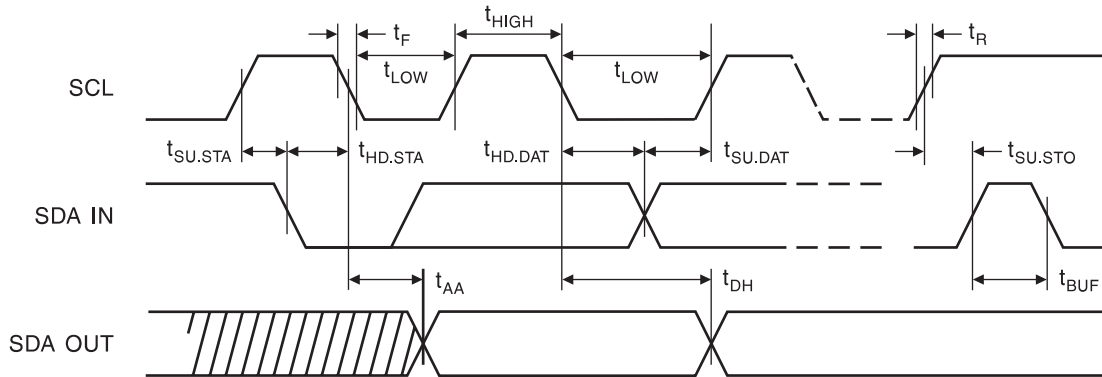
STANDBY MODE: The AT24C01A/02/04/08/16 features a low-power standby mode which is enabled: (a) upon power-up and (b) after the receipt of the STOP bit and the completion of any internal operations.

MEMORY RESET: After an interruption in protocol, power loss or system reset, any 2-wire part can be reset by following these steps:

1. Clock up to 9 cycles.
2. Look for SDA high in each cycle while SCL is high.
3. Create a start condition.

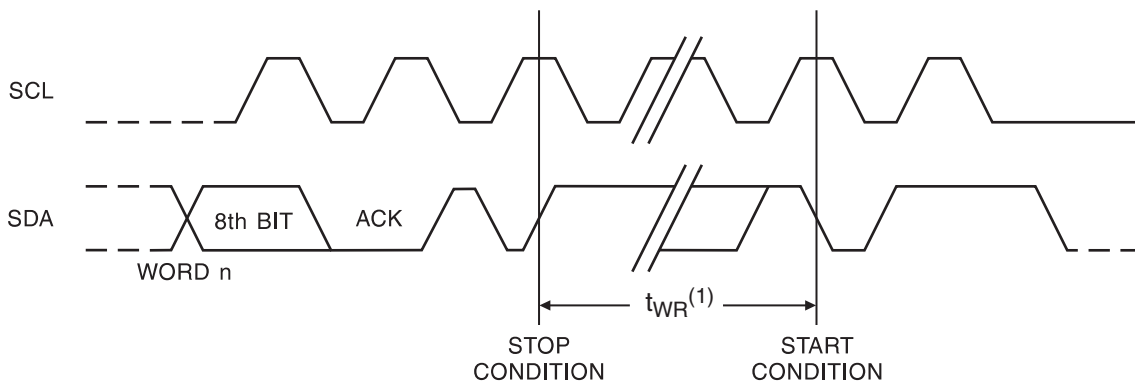
Bus Timing

SCL: Serial Clock, SDA: Serial Data I/O



Write Cycle Timing

SCL: Serial Clock, SDA: Serial Data I/O

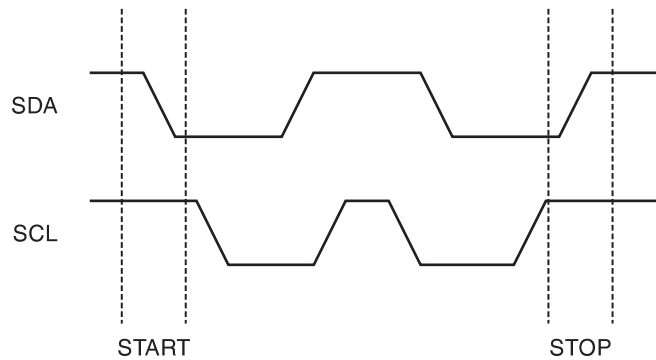


Note: 1. The write cycle time t_{WR} is the time from a valid stop condition of a write sequence to the end of the internal clear/write cycle.

Data Validity



Start and Stop Definition



Output Acknowledge



Device Addressing

The 1K, 2K, 4K, 8K and 16K EEPROM devices all require an 8-bit device address word following a start condition to enable the chip for a read or write operation (refer to Figure 1).

The device address word consists of a mandatory one, zero sequence for the first four most significant bits as shown. This is common to all the EEPROM devices.

The next 3 bits are the A2, A1 and A0 device address bits for the 1K/2K EEPROM. These 3 bits must compare to their corresponding hard-wired input pins.

The 4K EEPROM only uses the A2 and A1 device address bits with the third bit being a memory page address bit. The two device address bits must compare to their corresponding hard-wired input pins. The A0 pin is no connect.

The 8K EEPROM only uses the A2 device address bit with the next 2 bits being for memory page addressing. The A2 bit must compare to its corresponding hard-wired input pin. The A1 and A0 pins are no connect.

The 16K does not use any device address bits but instead the 3 bits are used for memory page addressing. These page addressing bits on the 4K, 8K and 16K devices should be considered the most significant bits of the data word address which follows. The A0, A1 and A2 pins are no connect.

The eighth bit of the device address is the read/write operation select bit. A read operation is initiated if this bit is high and a write operation is initiated if this bit is low.

Upon a compare of the device address, the EEPROM will output a zero. If a compare is not made, the chip will return to a standby state.

Write Operations

BYTE WRITE: A write operation requires an 8-bit data word address following the device address word and acknowledgment. Upon receipt of this address, the EEPROM will again respond with a zero and then clock in the first 8-bit data word. Following receipt of the 8-bit data word, the EEPROM will output a zero and the addressing device, such as a microcontroller, must terminate the write sequence with a stop condition. At this time the EEPROM enters an internally timed write cycle, t_{WR} , to the nonvolatile memory. All inputs are disabled during this write cycle and the EEPROM will not respond until the write is complete (refer to Figure 2).

PAGE WRITE: The 1K/2K EEPROM is capable of an 8-byte page write, and the 4K, 8K and 16K devices are capable of 16-byte page writes.

A page write is initiated the same as a byte write, but the microcontroller does not send a stop condition after the first data word is clocked in. Instead, after the EEPROM

acknowledges receipt of the first data word, the microcontroller can transmit up to seven (1K/2K) or fifteen (4K, 8K, 16K) more data words. The EEPROM will respond with a zero after each data word received. The microcontroller must terminate the page write sequence with a stop condition (refer to Figure 3).

The data word address lower three (1K/2K) or four (4K, 8K, 16K) bits are internally incremented following the receipt of each data word. The higher data word address bits are not incremented, retaining the memory page row location. When the word address, internally generated, reaches the page boundary, the following byte is placed at the beginning of the same page. If more than eight (1K/2K) or sixteen (4K, 8K, 16K) data words are transmitted to the EEPROM, the data word address will “roll over” and previous data will be overwritten.

ACKNOWLEDGE POLLING: Once the internally timed write cycle has started and the EEPROM inputs are disabled, acknowledge polling can be initiated. This involves sending a start condition followed by the device address word. The read/write bit is representative of the operation desired. Only if the internal write cycle has completed will the EEPROM respond with a zero allowing the read or write sequence to continue.

Read Operations

Read operations are initiated the same way as write operations with the exception that the read/write select bit in the device address word is set to one. There are three read operations: current address read, random address read and sequential read.

CURRENT ADDRESS READ: The internal data word address counter maintains the last address accessed during the last read or write operation, incremented by one. This address stays valid between operations as long as the chip power is maintained. The address “roll over” during read is from the last byte of the last memory page to the first byte of the first page. The address “roll over” during write is from the last byte of the current page to the first byte of the same page.

Once the device address with the read/write select bit set to one is clocked in and acknowledged by the EEPROM, the current address data word is serially clocked out. The microcontroller does not respond with an input zero but does generate a following stop condition (refer to Figure 4).

RANDOM READ: A random read requires a “dummy” byte write sequence to load in the data word address. Once the device address word and data word address are clocked in and acknowledged by the EEPROM, the microcontroller must generate another start condition. The microcontroller now initiates a current address read by sending a device address with the read/write select bit high. The EEPROM acknowledges the device address and serially clocks out

the data word. The microcontroller does not respond with a zero but does generate a following stop condition (refer to Figure 5).

SEQUENTIAL READ: Sequential reads are initiated by either a current address read or a random address read. After the microcontroller receives a data word, it responds with an acknowledge. As long as the EEPROM receives an

acknowledge, it will continue to increment the data word address and serially clock out sequential data words. When the memory address limit is reached, the data word address will “roll over” and the sequential read will continue. The sequential read operation is terminated when the microcontroller does not respond with a zero but does generate a following stop condition (refer to Figure 6).

Figure 1. Device Address



Figure 2. Byte Write



Figure 3. Page Write



(* = DON'T CARE bit for 1K)

Figure 4. Current Address Read



Figure 5. Random Read

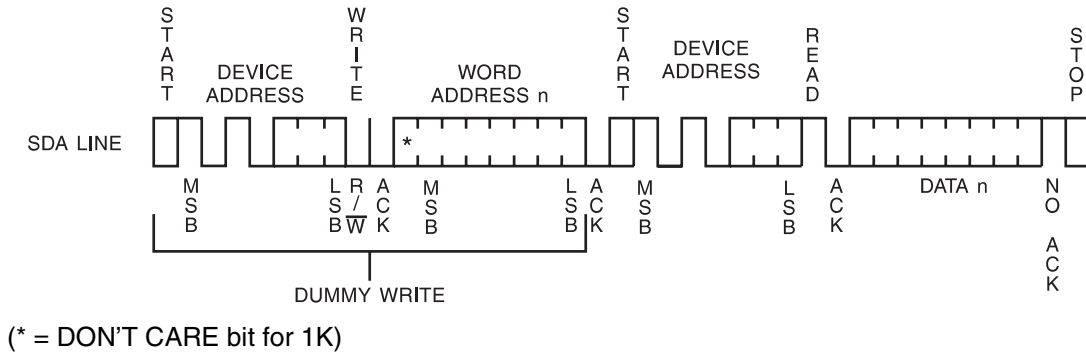
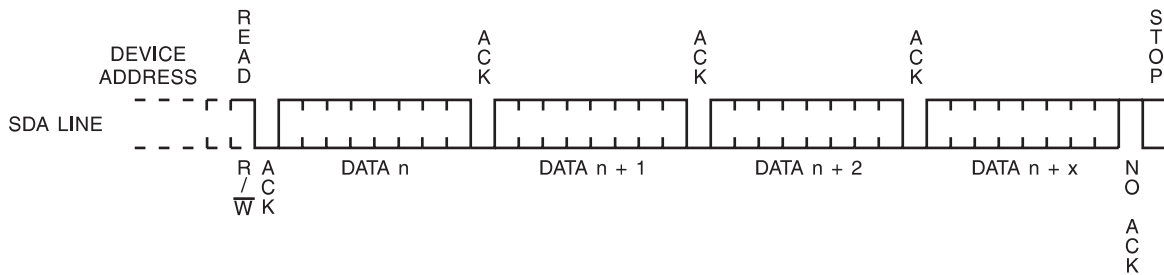


Figure 6. Sequential Read





AT24C01A Ordering Information

| t_{WR} (max) (ms) | I_{CC} (max) (μA) | I_{SB} (max) (μA) | f_{MAX} (kHz) | Ordering Code | Package | Operation Range |
|------------------------|-------------------------------|-------------------------------|--------------------|---|------------------|-------------------------------|
| 10 | 3000 | 18 | 400 | AT24C01A-10PC AT24C01A-10SC AT24C01A-10TC | 8P3 8S1 8T | Commercial (0°C to 70°C) |
| | 3000 | 18 | 400 | AT24C01A-10PI AT24C01A-10SI AT24C01A-10TI | 8P3 8S1 8T | Industrial (-40°C to 85°C) |
| 10 | 1500 | 4 | 100 | AT24C01A-10PC-2.7 AT24C01A-10SC-2.7 AT24C01A-10TC-2.7 | 8P3 8S1 8T | Commercial (0°C to 70°C) |
| | 1500 | 4 | 100 | AT24C01A-10PI-2.7 AT24C01A-10SI-2.7 AT24C01A-10TI-2.7 | 8P3 8S1 8T | Industrial (-40°C to 85°C) |
| 10 | 1000 | 4 | 100 | AT24C01A-10PC-2.5 AT24C01A-10SC-2.5 AT24C01A-10TC-2.5 | 8P3 8S1 8T | Commercial (0°C to 70°C) |
| | 1000 | 4 | 100 | AT24C01A-10PI-2.5 AT24C01A-10SI-2.5 AT24C01A-10TI-2.5 | 8P3 8S1 8T | Industrial (-40°C to 85°C) |
| 10 | 800 | 3 | 100 | AT24C01A-10PC-1.8 AT24C01A-10SC-1.8 AT24C01A-10TC-1.8 | 8P3 8S1 8T | Commercial (0°C to 70°C) |
| | 800 | 3 | 100 | AT24C01A-10PI-1.8 AT24C01A-10SI-1.8 AT24C01A-10TI-1.8 | 8P3 8S1 8T | Industrial (-40°C to 85°C) |

| Package Type | |
|--------------|---|
| 8P3 | 8-pin, 0.300" Wide, Plastic Dual Inline Package (PDIP) |
| 8S1 | 8-lead, 0.150" Wide, Plastic Gull Wing Small Outline (JEDEC SOIC) |
| 8T | 8-lead, 0.170" Wide, Thin Shrink Small Outline Package (TSSOP) |
| Options | |
| Blank | Standard Operation (4.5V to 5.5V) |
| -2.7 | Low-voltage (2.7V to 5.5V) |
| -2.5 | Low-voltage (2.5V to 5.5V) |
| -1.8 | Low-voltage (1.8V to 5.5V) |

AT24C02 Ordering Information

| t_{WR} (max) (ms) | I_{CC} (max) (μA) | I_{SB} (max) (μA) | f_{MAX} (kHz) | Ordering Code | Package | Operation Range |
|------------------------|-------------------------------|-------------------------------|--------------------|---|------------------|-------------------------------|
| 10 | 3000 | 18 | 400 | AT24C02-10PC AT24C02N-10SC AT24C02-10TC | 8P3 8S1 8T | Commercial (0°C to 70°C) |
| | 3000 | 18 | 400 | AT24C02-10PI AT24C02N-10SI AT24C02-10TI | 8P3 8S1 8T | Industrial (-40°C to 85°C) |
| 10 | 1500 | 4 | 100 | AT24C02-10PC-2.7 AT24C02N-10SC-2.7 AT24C02-10TC-2.7 | 8P3 8S1 8T | Commercial (0°C to 70°C) |
| | 1500 | 4 | 100 | AT24C02-10PI-2.7 AT24C02N-10SI-2.7 AT24C02-10TI-2.7 | 8P3 8S1 8T | Industrial (-40°C to 85°C) |
| 10 | 1000 | 4 | 100 | AT24C02-10PC-2.5 AT24C02N-10SC-2.5 AT24C02-10TC-2.5 | 8P3 8S1 8T | Commercial (0°C to 70°C) |
| | 1000 | 4 | 100 | AT24C02-10PI-2.5 AT24C02N-10SI-2.5 AT24C02-10TI-2.5 | 8P3 8S1 8T | Industrial (-40°C to 85°C) |
| 10 | 800 | 3 | 100 | AT24C02-10PC-1.8 AT24C02N-10SC-1.8 AT24C02-10TC-1.8 | 8P3 8S1 8T | Commercial (0°C to 70°C) |
| | 800 | 3 | 100 | AT24C02-10PI-1.8 AT24C02N-10SI-1.8 AT24C02-10TI-1.8 | 8P3 8S1 8T | Industrial (-40°C to 85°C) |

| Package Type | |
|--------------|---|
| 8P3 | 8-pin, 0.300" Wide, Plastic Dual Inline Package (PDIP) |
| 8S1 | 8-lead, 0.150" Wide, Plastic Gull Wing Small Outline (JEDEC SOIC) |
| 8T | 8-lead, 0.170" Wide, Thin Shrink Small Outline Package (TSSOP) |
| Options | |
| Blank | Standard Operation (4.5V to 5.5V) |
| -2.7 | Low-voltage (2.7V to 5.5V) |
| -2.5 | Low-voltage (2.5V to 5.5V) |
| -1.8 | Low-voltage (1.8V to 5.5V) |





AT24C04 Ordering Information

| t_{WR} (max) (ms) | I_{CC} (max) (μA) | I_{SB} (max) (μA) | f_{MAX} (kHz) | Ordering Code | Package | Operation Range |
|------------------------|-------------------------------|-------------------------------|--------------------|---|------------------|-------------------------------|
| 10 | 3000 | 18 | 400 | AT24C04-10PC AT24C04N-10SC AT24C04-10TC | 8P3 8S1 8T | Commercial (0°C to 70°C) |
| | 3000 | 18 | 400 | AT24C04-10PI AT24C04N-10SI AT24C04-10TI | 8P3 8S1 8T | Industrial (-40°C to 85°C) |
| 10 | 1500 | 4 | 100 | AT24C04-10PC-2.7 AT24C04N-10SC-2.7 AT24C04-10TC-2.7 | 8P3 8S1 8T | Commercial (0°C to 70°C) |
| | 1500 | 4 | 100 | AT24C04-10PI-2.7 AT24C04N-10SI-2.7 AT24C04-10TI-2.7 | 8P3 8S1 8T | Industrial (-40°C to 85°C) |
| 10 | 1000 | 4 | 100 | AT24C04-10PC-2.5 AT24C04N-10SC-2.5 AT24C04-10TC-2.5 | 8P3 8S1 8T | Commercial (0°C to 70°C) |
| | 1000 | 4 | 100 | AT24C04-10PI-2.5 AT24C04N-10SI-2.5 AT24C04-10TI-2.5 | 8P3 8S1 8T | Industrial (-40°C to 85°C) |
| 10 | 800 | 3 | 100 | AT24C04-10PC-1.8 AT24C04N-10SC-1.8 AT24C04-10TC-1.8 | 8P3 8S1 8T | Commercial (0°C to 70°C) |
| | 800 | 3 | 100 | AT24C04-10PI-1.8 AT24C04N-10SI-1.8 AT24C04-10TI-1.8 | 8P3 8S1 8T | Industrial (-40°C to 85°C) |

| Package Type | |
|--------------|---|
| 8P3 | 8-pin, 0.300" Wide, Plastic Dual Inline Package (PDIP) |
| 8S1 | 8-lead, 0.150" Wide, Plastic Gull Wing Small Outline (JEDEC SOIC) |
| 8T | 8-lead, 0.170" Wide, Thin Shrink Small Outline Package (TSSOP) |
| Options | |
| Blank | Standard Operation (4.5V to 5.5V) |
| -2.7 | Low-voltage (2.7V to 5.5V) |
| -2.5 | Low-voltage (2.5V to 5.5V) |
| -1.8 | Low-voltage (1.8V to 5.5V) |

AT24C08 Ordering Information

| t_{WR} (max) (ms) | I_{CC} (max) (μ A) | I_{SB} (max) (μ A) | f_{MAX} (kHz) | Ordering Code | Package | Operation Range |
|------------------------|------------------------------|------------------------------|--------------------|---|------------------|-------------------------------|
| 10 | 3000 | 18 | 400 | AT24C08-10PC AT24C08N-10SC AT24C08-10TC | 8P3 8S1 8T | |
| | 3000 | 18 | 400 | AT24C08-10PI AT24C08N-10SI AT24C08-10TI | 8P3 8S1 8T | Industrial (-40°C to 85°C) |
| 10 | 1500 | 4 | 100 | AT24C08-10PC-2.7 AT24C08N-10SC-2.7 AT24C08-10TC-2.7 | 8P3 8S1 8T | Commercial (0°C to 70°C) |
| | 1500 | 4 | 100 | AT24C08-10PI-2.7 AT24C08N-10SI-2.7 AT24C08-10TI-2.7 | 8P3 8S1 8T | Industrial (-40°C to 85°C) |
| 10 | 1000 | 4 | 100 | AT24C08-10PC-2.5 AT24C08N-10SC-2.5 AT24C08-10TC-2.5 | 8P3 8S1 8T | Commercial (0°C to 70°C) |
| | 1000 | 4 | 100 | AT24C08-10PI-2.5 AT24C08N-10SI-2.5 AT24C08-10TI-2.5 | 8P3 8S1 8T | Industrial (-40°C to 85°C) |
| 10 | 800 | 3 | 100 | AT24C08-10PC-1.8 AT24C08N-10SC-1.8 AT24C08-10TC-1.8 | 8P3 8S1 8T | Commercial (0°C to 70°C) |
| | 800 | 3 | 100 | AT24C08-10PI-1.8 AT24C08N-10SI-1.8 AT24C08-10TI-1.8 | 8P3 8S1 8T | Industrial (-40°C to 85°C) |

| Package Type | |
|--------------|---|
| 8P3 | 8-pin, 0.300" Wide, Plastic Dual Inline Package (PDIP) |
| 8S1 | 8-lead, 0.150" Wide, Plastic Gull Wing Small Outline (JEDEC SOIC) |
| 8T | 8-lead, 0.170" Wide, Thin Shrink Small Outline Package (TSSOP) |
| Options | |
| Blank | Standard Operation (4.5V to 5.5V) |
| -2.7 | Low-voltage (2.7V to 5.5V) |
| -2.5 | Low-voltage (2.5V to 5.5V) |
| -1.8 | Low-voltage (1.8V to 5.5V) |





AT24C16 Ordering Information

| t_{WR} (max) (ms) | I_{CC} (max) (μA) | I_{SB} (max) (μA) | f_{MAX} (kHz) | Ordering Code | Package | Operation Range |
|------------------------|-------------------------------|-------------------------------|--------------------|---|------------------|-------------------------------|
| 10 | 3000 | 18 | 400 | AT24C16-10PC AT24C16N-10SC AT24C16-10TC | 8P3 8S1 8T | Commercial (0°C to 70°C) |
| | 3000 | 18 | 400 | AT24C16-10PI AT24C16N-10SI AT24C16-10TI | 8P3 8S1 8T | Industrial (-40°C to 85°C) |
| 10 | 1500 | 4 | 100 | AT24C16-10PC-2.7 AT24C16N-10SC-2.7 AT24C16-10TC-2.7 | 8P3 8S1 8T | Commercial (0°C to 70°C) |
| | 1500 | 4 | 100 | AT24C16-10PI-2.7 AT24C16N-10SI-2.7 AT24C16-10TI-2.7 | 8P3 8S1 8T | Industrial (-40°C to 85°C) |
| 10 | 1000 | 4 | 100 | AT24C16-10PC-2.5 AT24C16N-10SC-2.5 AT24C16-10TC-2.5 | 8P3 8S1 8T | Commercial (0°C to 70°C) |
| | 1000 | 4 | 100 | AT24C16-10PI-2.5 AT24C16N-10SI-2.5 AT24C16-10TI-2.5 | 8P3 8S1 8T | Industrial (-40°C to 85°C) |
| 10 | 800 | 3 | 100 | AT24C16-10PC-1.8 AT24C16N-10SC-1.8 AT24C16-10TC-1.8 | 8P3 8S1 8T | Commercial (0°C to 70°C) |
| | 800 | 3 | 100 | AT24C16-10PI-1.8 AT24C16N-10SI-1.8 AT24C16-10TI-1.8 | 8P3 8S1 8T | Industrial (-40°C to 85°C) |

| Package Type | |
|--------------|---|
| 8P3 | 8-pin, 0.300" Wide, Plastic Dual Inline Package (PDIP) |
| 8S1 | 8-lead, 0.150" Wide, Plastic Gull Wing Small Outline (JEDEC SOIC) |
| 8T | 8-lead, 0.170" Wide, Thin Shrink Small Outline Package (TSSOP) |
| Options | |
| Blank | Standard Operation (4.5V to 5.5V) |
| -2.7 | Low-voltage (2.7V to 5.5V) |
| -2.5 | Low-voltage (2.5V to 5.5V) |
| -1.8 | Low-voltage (1.8V to 5.5V) |

Packaging Information

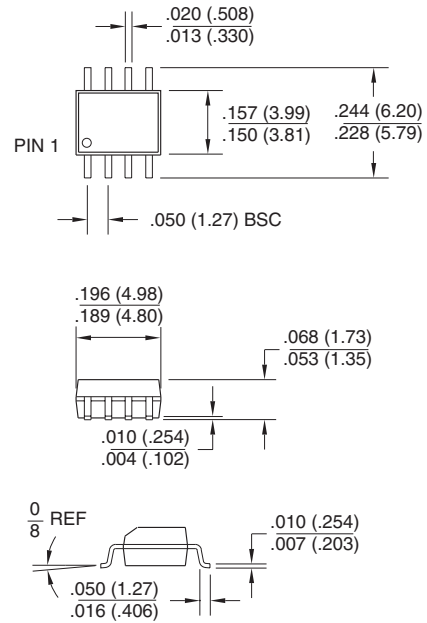
8P3, 8-pin, 0.300" Wide, Plastic Dual Inline Package (PDIP)

Dimensions in Inches and (Millimeters)
JEDEC STANDARD MS-001 BA



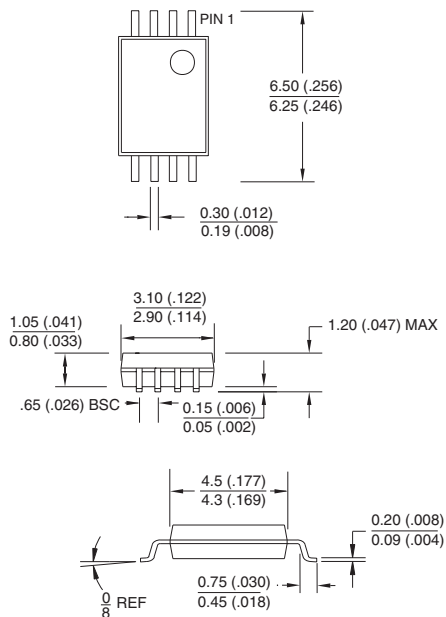
8S1, 8-lead, 0.150" Wide, Plastic Gull Wing Small Outline (JEDEC SOIC)

Dimensions in Inches and (Millimeters)



8T, 8-lead, Plastic Thin Shrink Small Outline Package (TSSOP)

Dimensions in Millimeters and (Inches)*



*Controlling dimension: millimeters



Atmel Headquarters

Corporate Headquarters
2325 Orchard Parkway
San Jose, CA 95131
TEL (408) 441-0311
FAX (408) 487-2600

Europe

Atmel U.K., Ltd.
Coliseum Business Centre
Riverside Way
Camberley, Surrey GU15 3YL
England
TEL (44) 1276-686-677
FAX (44) 1276-686-697

Asia

Atmel Asia, Ltd.
Room 1219
Chinachem Golden Plaza
77 Mody Road Tsimhatsui
East Kowloon
Hong Kong
TEL (852) 2721-9778
FAX (852) 2722-1369

Japan

Atmel Japan K.K.
9F, Tonetsu Shinkawa Bldg.
1-24-8 Shinkawa
Chuo-ku, Tokyo 104-0033
Japan
TEL (81) 3-3523-3551
FAX (81) 3-3523-7581

Atmel Operations

Atmel Colorado Springs
1150 E. Cheyenne Mtn. Blvd.
Colorado Springs, CO 80906
TEL (719) 576-3300
FAX (719) 540-1759

Atmel Rousset

Zone Industrielle
13106 Rousset Cedex
France
TEL (33) 4-4253-6000
FAX (33) 4-4253-6001

Fax-on-Demand

North America:
1-(800) 292-8635
International:
1-(408) 441-0732

e-mail

literature@atmel.com

Web Site

<http://www.atmel.com>

BBS

1-(408) 436-4309

© Atmel Corporation 2001.

Atmel Corporation makes no warranty for the use of its products, other than those expressly contained in the Company's standard warranty which is detailed in Atmel's Terms and Conditions located on the Company's web site. The Company assumes no responsibility for any errors which may appear in this document, reserves the right to change devices or specifications detailed herein at any time without notice, and does not make any commitment to update the information contained herein. No licenses to patents or other intellectual property of Atmel are granted by the Company in connection with the sale of Atmel products, expressly or by implication. Atmel's products are not authorized for use as critical components in life support devices or systems.

Marks bearing ® and/or ™ are registered trademarks and trademarks of Atmel Corporation.

Terms and product names in this document may be trademarks of others.



Printed on recycled paper.

0180F-06/01/xM

Looking for pricing, stock, or lifecycle information?

Click below to explore more details on WIN SOURCE:

 [View AT24C02N-10SI-1.8 on WIN SOURCE](#)

 [Atmel Information](#)

Optimize Your Supply Chain with WIN SOURCE Solutions

-  Global Sourcing Solution
-  Obsolete Management
-  Cost Control Management
-  Shortage Management
-  Alternative Solution
-  Excess Inventory Management