



**THE DATASHEET OF  
DM74ALS244AMSAX**



## DM74ALS244A Octal 3-STATE Bus Driver

### General Description

This octal 3-STATE bus driver is designed to provide the designer with flexibility in implementing a bus interface with memory, microprocessor, or communication systems. This device offers 64-extended temperature Grade product guaranteeing performance from  $-40^{\circ}\text{C}$  to  $+85^{\circ}\text{C}$ . The output 3-STATE gating control is organized into two separate groups of four buffers, and both control inputs enable the respective outputs when set logic LOW. The 3-STATE circuitry contains a feature that maintains the buffer outputs in 3-STATE (high impedance state) during power supply ramp-up or ramp-down. This eliminates bus glitching problems that arise during power-up and power-down.

### Features

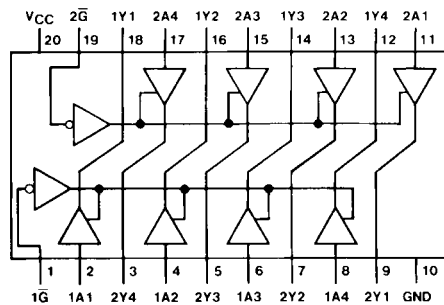
- Advanced low power oxide-isolated ion-implanted Schottky TTL process
- Functional and pin compatible with the 74LS counterpart
- Improved switching performance with less power dissipation compared with the 74LS counterpart
- Switching response specified into  $500\Omega$  and  $50\text{ pF}$  load
- Switching response specifications guaranteed over full temperature and  $V_{\text{CC}}$  supply range
- PNP input design reduces input loading

### Ordering Code:

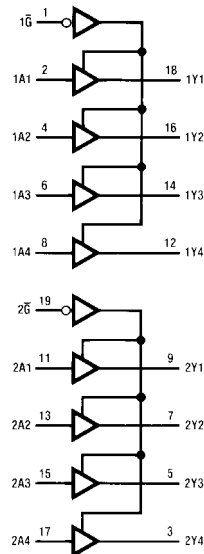
Order Number	Package Number	Package Description
DM74ALS244AWM	M20B	20-Lead Small Outline Integrated Circuit (SOIC), JEDEC MS-013, 0.300 Wide
DM74ALS244ASJ	M20D	20-Lead Small Outline Package (SOP), EIAJ TYPE II, 5.3mm Wide
DM74ALS244AMSA	MSA20	20-Lead Shrink Small Outline Package (SSOP), EIAJ TYPE II, 5.3mm Wide
DM74ALS244AN	N20A	20-Lead Plastic Dual-In-Line Package (PDIP), JEDEC MS-001, 0.300 Wide

Devices also available in Tape and Reel. Specify by appending the suffix letter "X" to the ordering code.

### Connection Diagram



### Logic Diagram



### Function Table

Input		Output
$\bar{G}$	A	Y
L	L	L
L	H	H
H	X	Z

H = HIGH Level Logic State  
L = LOW Level Logic State  
X = Don't Care (Either LOW or HIGH Level Logic State)  
Z = High Impedance (OFF) State

**Absolute Maximum Ratings**(Note 1)

Supply Voltage, $V_{CC}$	7V
Input Voltage	7V
Voltage Applied to Disabled Output	5.5V
Operating Free Air Temperature Range	0°C to +70°C
Storage Temperature Range	-65°C to +150°C
Typical $\theta_{JA}$	
N Package	60.5°C/W
M Package	79.8°C/W

**Note 1:** The "Absolute Maximum Ratings" are those values beyond which the safety of the device cannot be guaranteed. The device should not be operated at these limits. The parametric values defined in the Electrical Characteristics tables are not guaranteed at the absolute maximum ratings. The "Recommended Operating Conditions" table will define the conditions for actual device operation.

**Recommended Operating Conditions**

Symbol	Parameter	Min	Typ	Max	Units
$V_{CC}$	Supply Voltage	4.5	5	5.5	V
$V_{IH}$	HIGH Level Input Voltage	2			V
$V_{IL}$	LOW Level Input Voltage			0.8	V
$I_{OH}$	HIGH Level Output Current			-15	mA
$I_{OL}$	LOW Level Output Current			24	mA
$T_A$	Operating Free-Air Temperature	0		70	°C

**Electrical Characteristics**

over recommended operating free air temperature (unless otherwise specified)

Symbol	Parameter	Conditions	Min	Typ	Max	Units	
$V_{IK}$	Input Clamp Voltage	$V_{CC} = 4.5V, I_I = -18 \text{ mA}$			-1.5	V	
$V_{OH}$	HIGH Level Output Voltage	$V_{CC} = 4.5V \text{ to } 5.5V$	$I_{OH} = -0.4 \text{ mA}$	$V_{CC}-2$		V	
		$V_{CC} = 4.5V$	$I_{OH} = -3 \text{ mA}$	2.4		V	
			$I_{OH} = \text{Max}$	2		V	
$V_{OL}$	LOW Level Output Voltage	$V_{CC} = 4.5V$ $I_{OL} = 24 \text{ mA}$		0.35	0.5	V	
$I_I$	Input Current at Maximum Input Voltage	$V_{CC} = 5.5V, V_I = 7V$			0.1	mA	
$I_{IH}$	HIGH Level Input Current	$V_{CC} = 5.5V, V_I = 2.7V$			20	$\mu\text{A}$	
$I_{IL}$	LOW Level Input Current	$V_{CC} = 5.5V, V_{IL} = 0.4V$			-0.1	mA	
$I_O$	Output Drive Current	$V_{CC} = 5.5V, V_O = 2.25V$	-30		-112	mA	
$I_{OZH}$	HIGH Level 3-STATE Output Current	$V_{CC} = 5.5V, V_O = 2.7V$			20	$\mu\text{A}$	
$I_{OZL}$	LOW Level 3-STATE Output Current	$V_{CC} = 5.5V, V_O = 0.4V$			-20	$\mu\text{A}$	
$I_{CC}$	Supply Current	$V_{CC} = 5.5V$		9	15	mA	
		Outputs HIGH			15	24	mA
		Outputs 3-STATE		17	27	mA	

**Switching Characteristics**

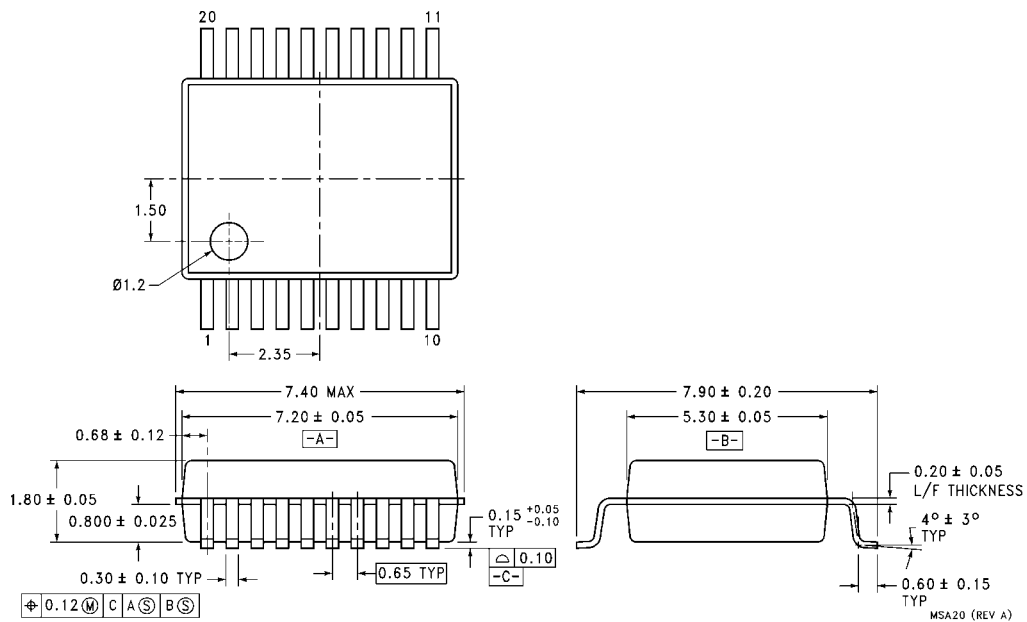
over recommended operating free-air temperature range

Symbol	Parameter	Conditions	From (Input)	To (Output)	Min	Max	Units
$t_{PLH}$	Propagation Delay Time LOW-to-HIGH Level Output	$V_{CC} = 4.5V \text{ to } 5.5V,$ $C_L = 50 \text{ pF},$ $R1 = 500\Omega,$ $R2 = 500\Omega,$ $T_A = \text{Min to Max}$	A	Y	3	10	ns
$t_{PHL}$	Propagation Delay Time HIGH-to-LOW Level Output		A	Y	3	10	ns
$t_{PZH}$	Output Enable Time to HIGH Level Output		$\bar{G}$	Y	3	20	ns
$t_{PZL}$	Output Enable Time to LOW Level Output		$\bar{G}$	Y	3	20	ns
$t_{PHZ}$	Output Disable Time from HIGH Level Output		$\bar{G}$	Y	2	10	ns
$t_{PLZ}$	Output Disable Time from LOW Level Output		$\bar{G}$	Y	1	13	ns





**Physical Dimensions** inches (millimeters) unless otherwise noted (Continued)



**20-Lead Shrink Small Outline Package (SSOP), EIAJ TYPE II, 5.3mm Wide  
Package Number MSA20**



## Looking for pricing, stock, or lifecycle information?

Click below to explore more details on WIN SOURCE:

- ⊖ [View DM74ALS244AMSAX on WIN SOURCE](#)
- ⊖ [Fairchild/ON Semiconductor Information](#)

## Optimize Your Supply Chain with WIN SOURCE Solutions

- ✓ Global Sourcing Solution
- ✓ Obsolete Management
- ✓ Cost Control Management
- ✓ Shortage Management
- ✓ Alternative Solution
- ✓ Excess Inventory Management