



**THE DATASHEET OF  
ASM3P623S00EG-16-TR**



# P3P623S00B, P3P623S00E

## Product Preview

# Timing-Safe™ Peak EMI Reduction IC

### Functional Description

P3P623S00B/E is a versatile, 3.3 V Zero-delay buffer designed to distribute Timing-Safe clocks with Peak EMI reduction. P3P623S00B is an eight-pin version, accepts one reference input and drives out one low-skew Timing-Safe clock. P3P623S00E accepts one reference input and drives out eight low-skew Timing-Safe clocks.

P3P623S00B/E has an SS% that selects 2 different Deviation and associated Input-Output Skew ( $T_{SKEW}$ ). Refer to the *Spread Spectrum Control* and *Input-Output Skew* table for details.

P3P623S00E has a CLKOUT for adjusting the Input-Output clock delay, depending upon the value of capacitor connected at this pin to GND.

P3P623S00B/E operates from a 3.3 V supply and is available in two different packages, as shown in the ordering information table.

### Application

P3P623S00B/E is targeted for use in Displays and memory interface systems.

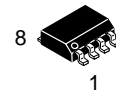
### General Features

- Clock Distribution with Timing-Safe Peak EMI Reduction
- Input Frequency Range: 20 MHz – 50 MHz
- 2 Different Spread Selection Options
- Spread Spectrum can be Turned ON/OFF
- External Input-Output Delay Control Option
- Supply Voltage: 3.3 V  $\pm$  0.3 V
- P3P623S00B: 8 Pin SOIC  
P3P623S00E: 16 Pin TSSOP
- The First True Drop-in Solution
- These Devices are Pb-Free, Halogen Free/BFR Free and are RoHS Compliant

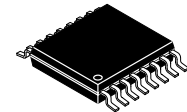


ON Semiconductor®

[www.onsemi.com](http://www.onsemi.com)

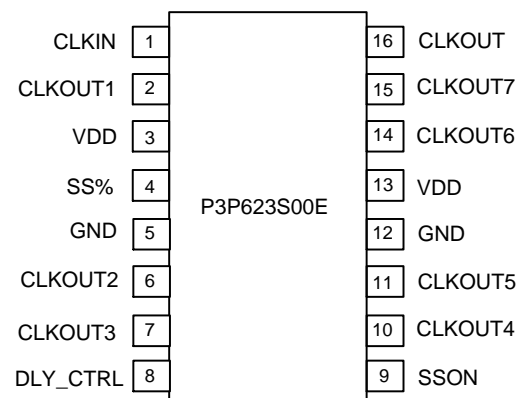
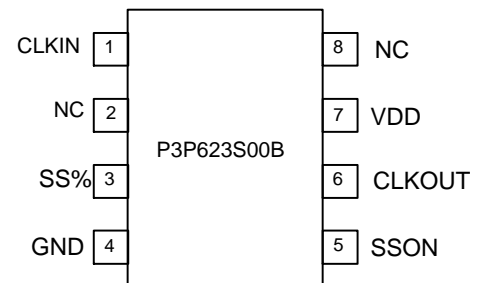


SOIC-8 NB  
CASE 751



TSSOP-16  
CASE 948AN

### PIN CONFIGURATION

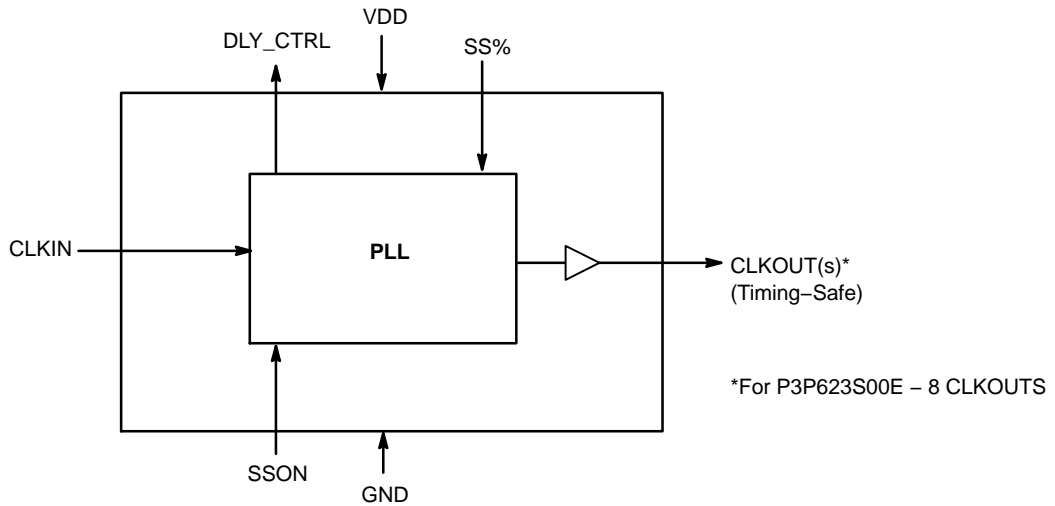


This document contains information on a product under development. ON Semiconductor reserves the right to change or discontinue this product without notice.

### ORDERING INFORMATION

See detailed ordering and shipping information in the package dimensions section on page 9 of this data sheet.

## P3P623S00B, P3P623S00E



**Figure 1. General Block Diagram**

### Spread Spectrum Frequency Generation

The clocks in digital systems are typically square waves with a 50% duty cycle and as frequencies increase the edge rates also get faster. Analysis shows that a square wave is composed of fundamental frequency and harmonics. The fundamental frequency and harmonics generate the energy peaks that become the source of EMI. Regulatory agencies test electronic equipment by measuring the amount of peak energy radiated from the equipment. In fact, the peak level allowed decreases as the frequency increases. The standard methods of reducing EMI are to use shielding, filtering, multi-layer PCBs, etc. These methods are expensive. Spread spectrum clocking reduces the peak energy by reducing the Q factor of the clock. This is done by slowly modulating the clock frequency. The P3P623S00B/E uses the center modulation spread spectrum technique in which the modulated output frequency varies above and below the reference frequency with a specified modulation rate. With

center modulation, the average frequency is the same as the unmodulated frequency and there is no performance degradation.

### Zero Delay and Skew Control

All outputs should be uniformly loaded to achieve Zero Delay between input and output. Since the CLKOUT pin is the internal feedback to the PLL, its relative loading can adjust the input–output delay.

For applications requiring zero input–output delay, all outputs, including CLKOUT, must be equally loaded. Even if CLKOUT is not used, it must have a capacitive load equal to that on other outputs, for obtaining zero input–output delay.

### Timing-Safe Technology

Timing-Safe technology is the ability to modulate a clock source with Spread Spectrum technology and maintain synchronization with any associated data path.

**Table 1. PIN DESCRIPTION FOR P3P623S00B**

Pin #	Pin Name	Type	Description
1	CLKIN (Note 1)	Input	External reference Clock input, 5 V tolerant input
2	NC		No Connect
3	SS% (Note 3)	Input	Spread Spectrum Selection. Has an internal pull up resistor
4	GND	Power	Ground
5	SSON (Note 3)	Input	Spread Spectrum enable and disable option. When SSON is HIGH, the spread spectrum is enabled and when LOW, it turns off the spread spectrum. Has an internal pull up resistor
6	CLKOUT (Note 2)	Output	Buffered clock output (Note 4)
7	VDD	Power	3.3 V supply
8	NC		No Connect

1. Weak pull down
2. Weak pull–down on all outputs
3. Weak pull–up on these inputs
4. Buffered clock output is Timing-Safe

# P3P623S00B, P3P623S00E

**Table 2. PIN DESCRIPTION FOR P3P623S00E**

Pin #	Pin Name	Type	Description
1	CLKIN (Note 1)	Input	External reference Clock input, 5 V tolerant input
2	CLKOUT1 (Note 2)	Output	Buffered clock output (Note 4)
3	V <sub>DD</sub>	Power	3.3 V supply
4	SS% (Note 3)	Input	Spread Spectrum Selection. Refer to the <i>Spread Spectrum Control and Input–Output Skew</i> Table. Has an internal pull up resistor.
5	GND	Power	Ground
6	CLKOUT2 (Note 2)	Output	Buffered clock output (Note 4)
7	CLKOUT3 (Note 2)	Output	Buffered clock output (Note 4)
8	DLY_CTRL	Output	External Input–Output Delay control
9	SSON (Note 3)	Input	Spread Spectrum enable and disable option. When SSON is HIGH, the spread spectrum is enabled and when LOW, it turns off the spread spectrum. Has an internal pull up resistor.
10	CLKOUT4 (Note 2)	Output	Buffered clock output (Note 4)
11	CLKOUT5 (Note 2)	Output	Buffered clock output (Note 4)
12	GND	Power	Ground
13	V <sub>DD</sub>	Power	3.3 V supply
14	CLKOUT6 (Note 2)	Output	Buffered clock output (Note 4)
15	CLKOUT7 (Note 2)	Output	Buffered clock output (Note 4)
16	CLKOUT (Note 2)	Output	Buffered clock output (Note 4)

1. Weak pull down
2. Weak pull–down on all outputs
3. Weak pull–up on these inputs
4. Buffered clock output is Timing–Safe

**Table 3. SPREAD SPECTRUM CONTROL AND INPUT–OUTPUT SKEW**

Device	Input Frequency	SS %	Deviation	Input–Output Skew (±T <sub>SKEW</sub> )
P3P623S00B/E	32 MHz	0	±0.25%	0.125
		1	±0.50%	0.25

**Table 4. ABSOLUTE MAXIMUM RATINGS**

Symbol	Parameter	Rating	Unit
V <sub>DD</sub>	Supply Voltage to Ground Potential	–0.5 to +4.6	V
V <sub>IN</sub>	DC Input Voltage (CLKIN)	–0.5 to +7	
T <sub>STG</sub>	Storage temperature	–65 to +125	°C
T <sub>s</sub>	Max. Soldering Temperature (10 sec)	260	°C
T <sub>J</sub>	Junction Temperature	150	°C
T <sub>DV</sub>	Static Discharge Voltage (As per JEDEC STD22– A114–B)	2	KV

Stresses exceeding those listed in the Maximum Ratings table may damage the device. If any of these limits are exceeded, device functionality should not be assumed, damage may occur and reliability may be affected.

# P3P623S00B, P3P623S00E

**Table 5. OPERATING CONDITIONS**

Parameter	Description	Min	Max	Unit
VDD	Operating Voltage	3.0	3.6	V
T <sub>A</sub>	Operating Temperature (Ambient Temperature)	-40	+85	°C
C <sub>L</sub>	Load Capacitance		30	pF
C <sub>IN</sub>	Input Capacitance		7	pF

**Table 6. ELECTRICAL CHARACTERISTICS**

Symbol	Parameter	Conditions	Min	Typ	Max	Units
V <sub>IL</sub>	Input Low Voltage (Note 5)				0.8	V
V <sub>IH</sub>	Input High Voltage (Note 5)		2.0			V
I <sub>IL</sub>	Input LOW Current	V <sub>IN</sub> = 0 V			50	μA
I <sub>IH</sub>	Input HIGH Current	V <sub>IN</sub> = VDD			100	μA
V <sub>OL</sub>	Output LOW Voltage (Note 6)	I <sub>OL</sub> = 8 mA			0.4	V
V <sub>OH</sub>	Output HIGH Voltage (Note 6)	I <sub>OH</sub> = -8 mA	2.4			V
I <sub>DD</sub>	Supply Current	Unloaded outputs			27	mA
Z <sub>O</sub>	Output Impedance			23		Ω

5. CLKIN input has a threshold voltage of VDD/2

6. Parameter is guaranteed by design and characterization. Not 100% tested in production.

**Table 7. SWITCHING CHARACTERISTICS**

Parameter	Test Conditions	Min	Typ	Max	Units
Input Frequency		20		50	MHz
Output Frequency	30 pF load	20		50	MHz
Duty Cycle (Notes 7, 8) = (t <sub>2</sub> / t <sub>1</sub> ) x 100	Measured at VDD/2	40	50	60	%
Output Rise Time (Notes 7, 8)	Measured between 0.8 V and 2.0 V			2.5	nS
Output Fall Time (Notes 7, 8)	Measured between 2.0 V and 0.8 V			2.5	nS
Output-to-Output Skew (Notes 7, 8)	All outputs equally loaded with SSOFF			250	pS
Delay, CLKIN Rising Edge to CLKOUT Rising Edge (Note 8)	Measured at VDD/2 with SSOFF			±350	pS
Device-to-Device Skew (Note 8)	Measured at VDD/2 on the CLKOUT pins of the device			700	pS
Cycle-to-Cycle Jitter (Notes 7, 8)	Loaded outputs			±250	pS
PLL Lock Time (Note 8)	Stable power supply, valid clock presented on CLKIN pin			1.0	mS

7. All parameters specified with 30 pF loaded outputs.

8. Parameter is guaranteed by design and characterization. Not 100% tested in production.

Switching Waveforms

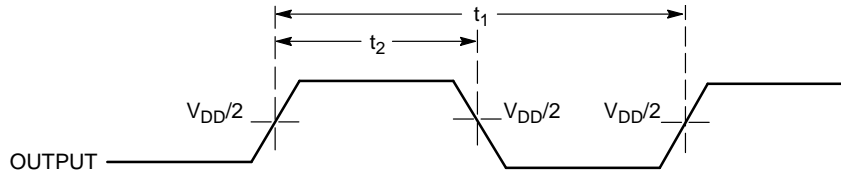


Figure 2. Duty Cycle Timing

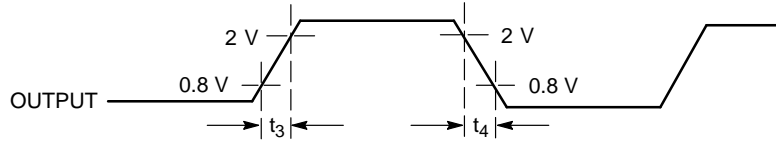


Figure 3. All Outputs Rise/Fall Time

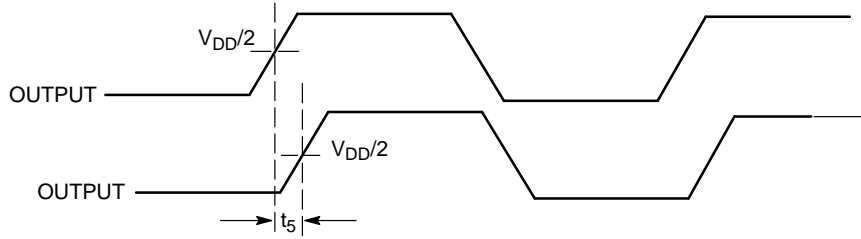


Figure 4. Output-Output Skew

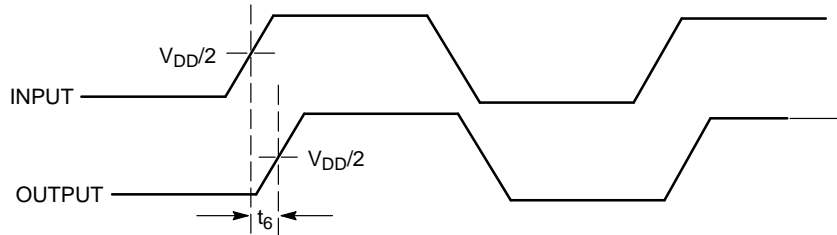


Figure 5. Input-Output Propagation Delay

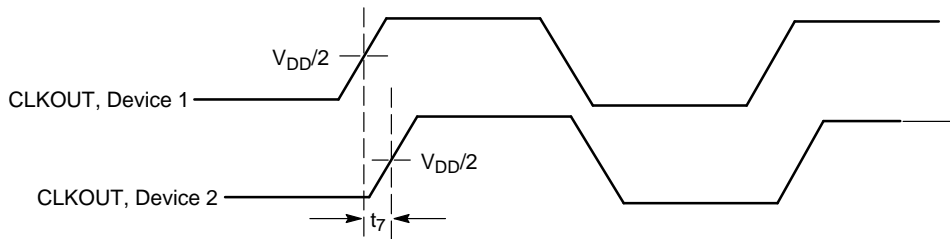


Figure 6. Device-Device Skew

P3P623S00B, P3P623S00E

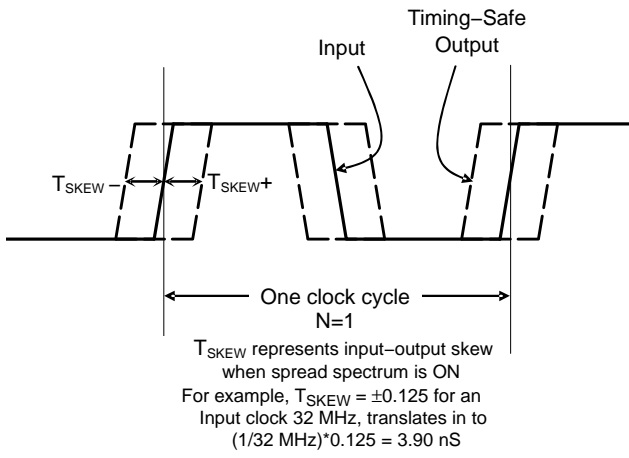


Figure 7. Input-Output Skew

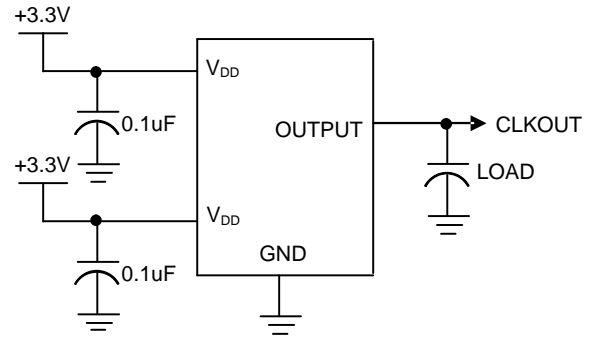


Figure 8. Test Circuit

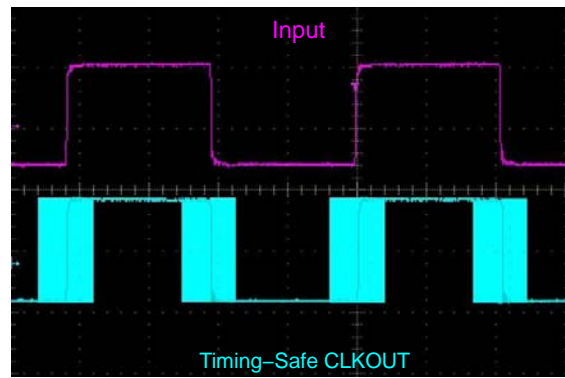
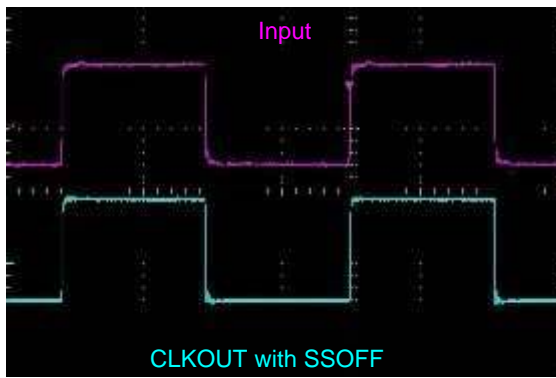
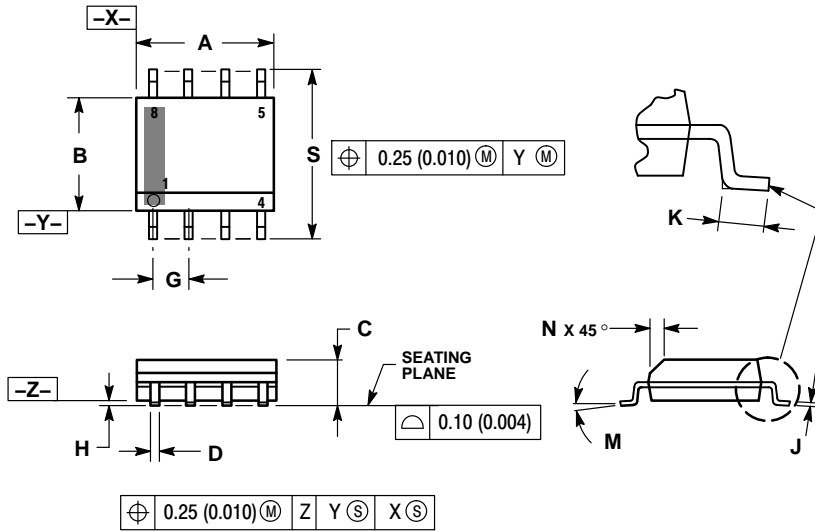


Figure 9. Typical Example of Timing-Safe Waveform

# P3P623S00B, P3P623S00E

## PACKAGE DIMENSIONS

**SOIC-8 NB**  
CASE 751-07  
ISSUE AK

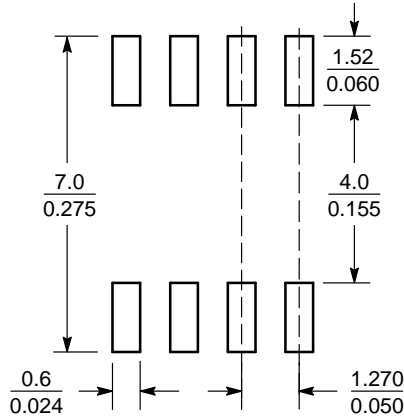


**NOTES:**

1. DIMENSIONING AND TOLERANCING PER ANSI Y14.5M, 1982.
2. CONTROLLING DIMENSION: MILLIMETER.
3. DIMENSION A AND B DO NOT INCLUDE MOLD PROTRUSION.
4. MAXIMUM MOLD PROTRUSION 0.15 (0.006) PER SIDE.
5. DIMENSION D DOES NOT INCLUDE DAMBAR PROTRUSION. ALLOWABLE DAMBAR PROTRUSION SHALL BE 0.127 (0.005) TOTAL IN EXCESS OF THE D DIMENSION AT MAXIMUM MATERIAL CONDITION.
6. 751-01 THRU 751-06 ARE OBSOLETE. NEW STANDARD IS 751-07.

DIM	MILLIMETERS		INCHES	
	MIN	MAX	MIN	MAX
A	4.80	5.00	0.189	0.197
B	3.80	4.00	0.150	0.157
C	1.35	1.75	0.053	0.069
D	0.33	0.51	0.013	0.020
G	1.27 BSC		0.050 BSC	
H	0.10	0.25	0.004	0.010
J	0.19	0.25	0.007	0.010
K	0.40	1.27	0.016	0.050
M	0°	8°	0°	8°
N	0.25	0.50	0.010	0.020
S	5.80	6.20	0.228	0.244

### SOLDERING FOOTPRINT\*



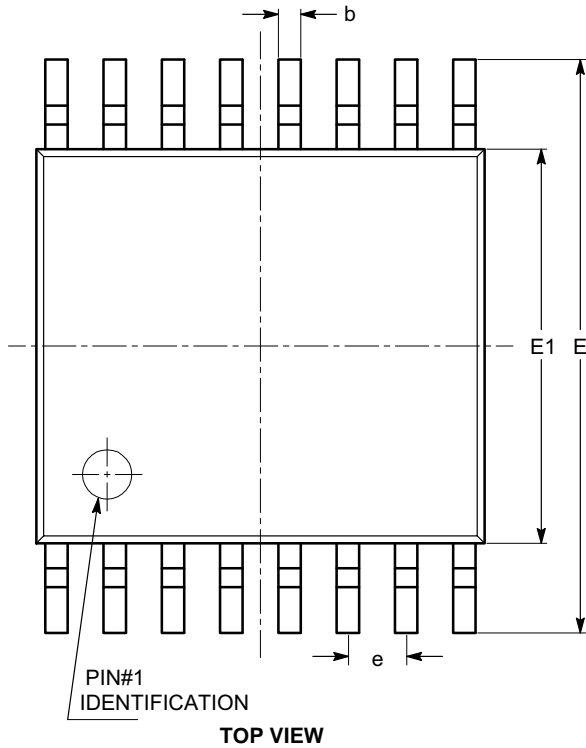
SCALE 6:1  $\left( \frac{\text{mm}}{\text{inches}} \right)$

\*For additional information on our Pb-Free strategy and soldering details, please download the ON Semiconductor Soldering and Mounting Techniques Reference Manual, SOLDERRM/D.

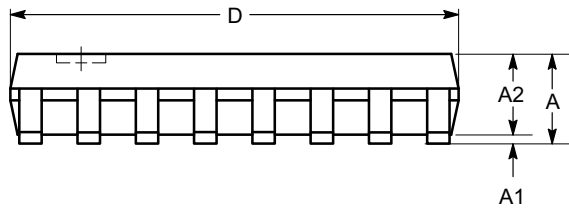
# P3P623S00B, P3P623S00E

## PACKAGE DIMENSIONS

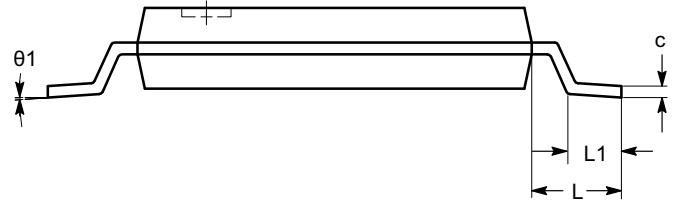
TSSOP16, 4.4x5  
CASE 948AN  
ISSUE O



SYMBOL	MIN	NOM	MAX
A			1.10
A1	0.05		0.15
A2	0.85		0.95
b	0.19		0.30
c	0.13		0.20
D	4.90		5.10
E	6.30		6.50
E1	4.30		4.50
e	0.65 BSC		
L	1.00 REF		
L1	0.45		0.75
$\theta$	0°		8°



SIDE VIEW



END VIEW

**Notes:**

- (1) All dimensions are in millimeters. Angles in degrees.
- (2) Complies with JEDEC MO-153.


# P3P623S00B, P3P623S00E

**Table 8. ORDERING INFORMATION**

Part Number	Marking	Package Type	Temperature
P3P623S00BG-08SR	ADO	8-pin 150-mil SOIC – TAPE & REEL, Green	0°C to +70°C
P3P623S00BG-08TR	ADO	8-pin 4.4 mm TSSOP – TAPE & REEL, Green	0°C to +70°C
P3I623S00BG-08TR	ADP	8-pin 4.4 mm TSSOP – TAPE & REEL, Green	-40°C to +85°C
P3P623S00EG-16TR	P623 S00E	16-Pin TSSOP – TAPE & REEL, Green	0°C to +70°C

NOTE: Device will meet the specifications after thermal equilibrium has been established when mounted in a test socket or printed circuit board with maintained transverse airflow greater than 500 lfm.

TIMING SAFE is a trademark of Semiconductor Components Industries, LLC (SCILLC).

**ON Semiconductor** and  are registered trademarks of Semiconductor Components Industries, LLC (SCILLC). SCILLC owns the rights to a number of patents, trademarks, copyrights, trade secrets, and other intellectual property. A listing of SCILLC's product/patent coverage may be accessed at [www.onsemi.com/site/pdf/Patent-Marking.pdf](http://www.onsemi.com/site/pdf/Patent-Marking.pdf). SCILLC reserves the right to make changes without further notice to any products herein. SCILLC makes no warranty, representation or guarantee regarding the suitability of its products for any particular purpose, nor does SCILLC assume any liability arising out of the application or use of any product or circuit, and specifically disclaims any and all liability, including without limitation special, consequential or incidental damages. "Typical" parameters which may be provided in SCILLC data sheets and/or specifications can and do vary in different applications and actual performance may vary over time. All operating parameters, including "Typicals" must be validated for each customer application by customer's technical experts. SCILLC does not convey any license under its patent rights nor the rights of others. SCILLC products are not designed, intended, or authorized for use as components in systems intended for surgical implant into the body, or other applications intended to support or sustain life, or for any other application in which the failure of the SCILLC product could create a situation where personal injury or death may occur. Should Buyer purchase or use SCILLC products for any such unintended or unauthorized application, Buyer shall indemnify and hold SCILLC and its officers, employees, subsidiaries, affiliates, and distributors harmless against all claims, costs, damages, and expenses, and reasonable attorney fees arising out of, directly or indirectly, any claim of personal injury or death associated with such unintended or unauthorized use, even if such claim alleges that SCILLC was negligent regarding the design or manufacture of the part. SCILLC is an Equal Opportunity/Affirmative Action Employer. This literature is subject to all applicable copyright laws and is not for resale in any manner.

## PUBLICATION ORDERING INFORMATION

### LITERATURE FULFILLMENT:

Literature Distribution Center for ON Semiconductor  
P.O. Box 5163, Denver, Colorado 80217 USA  
**Phone:** 303-675-2175 or 800-344-3860 Toll Free USA/Canada  
**Fax:** 303-675-2176 or 800-344-3867 Toll Free USA/Canada  
**Email:** [orderlit@onsemi.com](mailto:orderlit@onsemi.com)

**N. American Technical Support:** 800-282-9855 Toll Free  
USA/Canada  
**Europe, Middle East and Africa Technical Support:**  
Phone: 421 33 790 2910  
**Japan Customer Focus Center**  
Phone: 81-3-5817-1050

**ON Semiconductor Website:** [www.onsemi.com](http://www.onsemi.com)  
**Order Literature:** <http://www.onsemi.com/orderlit>  
For additional information, please contact your local Sales Representative

## Looking for pricing, stock, or lifecycle information?

Click below to explore more details on WIN SOURCE:

- ⊖ [View ASM3P623S00EG-16-TR](#) on WIN SOURCE
- ⊖ [ON Semiconductor](#) Information

## Optimize Your Supply Chain with WIN SOURCE Solutions

- ✓ Global Sourcing Solution
- ✓ Obsolete Management
- ✓ Cost Control Management
- ✓ Shortage Management
- ✓ Alternative Solution
- ✓ Excess Inventory Management