



**THE DATASHEET OF
AS7C4096A-15JCNTR**





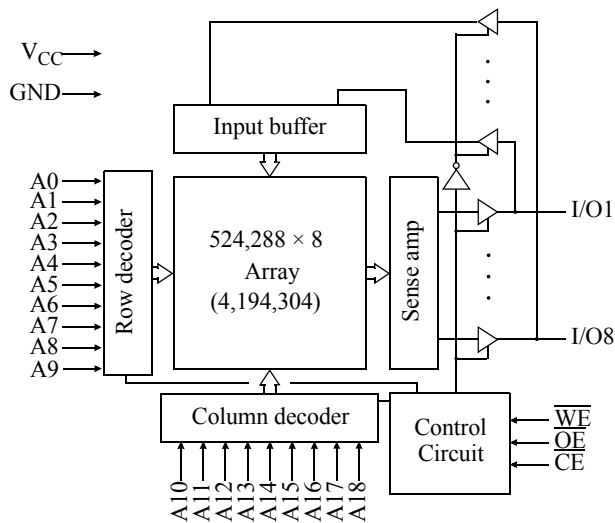
5.0V 512K × 8 CMOS SRAM

Features

- Pin compatible to AS7C4096
- Industrial and commercial temperature
- Organization: 524,288 words × 8 bits
- Center power and ground pins
- High speed
 - 10/12/15/20 ns address access time
 - 5/6 ns output enable access time
- Low power consumption: ACTIVE
 - 880mW/max @ 10 ns
- Low power consumption: STANDBY
 - 55mW/max CMOS

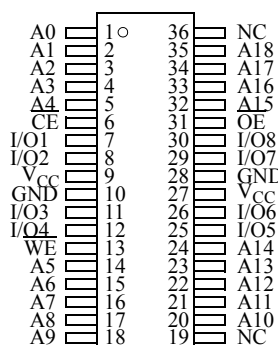
- Equal access and cycle times
- Easy memory expansion with \overline{CE} , \overline{OE} inputs
- TTL-compatible, three-state I/O
- JEDEC standard packages
 - 400 mil 36-pin SOJ
 - 44-pin TSOP 2
- ESD protection ≥ 2000 volts
- Latch-up current ≥ 200 mA

Logic block diagram

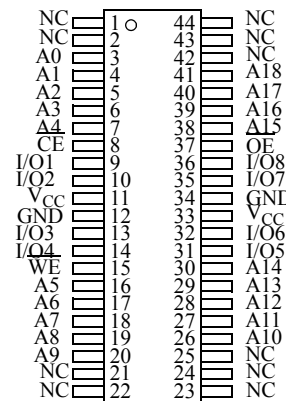


Pin arrangements

36-pin SOJ (400 mil)



44-pin TSOP 2



Selection guide

	-10	-12	-15	-20	Unit
Maximum address access time	10	12	15	20	ns
Maximum outputenable access time	5	6	6	6	ns
Maximum operating current	160	140	120	100	mA
Maximum CMOS standby current	10	10	10	10	mA



Functional description

The AS7C4096A is a high-performance CMOS 4,194,304-bit Static Random Access Memory (SRAM) device organized as 524,288 words \times 8 bits. It is designed for memory applications where fast data access, low power, and simple interfacing are desired.

Equal address access and cycle times (t_{AA} , t_{RC} , t_{WC}) of 10/12/15/20 ns with output enable access times (t_{OE}) of 5/6 ns are ideal for high-performance applications. The chip enable input \overline{CE} permits easy memory expansion with multiple-bank memory systems.

When \overline{CE} is high the device enters standby mode. The device is guaranteed not to exceed 55mW power consumption in CMOS standby mode.

A write cycle is accomplished by asserting write enable (\overline{WE}) and chip enable (\overline{CE}). Data on the input pins I/O1–I/O8 is written on the rising edge of \overline{WE} (write cycle 1) or \overline{CE} (write cycle 2). To avoid bus contention, external devices should drive I/O pins only after outputs have been disabled with output enable (\overline{OE}) or write enable (\overline{WE}).

A read cycle is accomplished by asserting output enable (\overline{OE}) and chip enable (\overline{CE}), with write enable (\overline{WE}) high. The chip drives I/O pins with the data word referenced by the input address. When either chip enable or output enable is inactive, or write enable is active, output drivers stay in high-impedance mode.

All chip inputs and outputs are TTL-compatible, and operation is from a single 5.0V supply voltage. This device is available as per industry standard 400-mil 36-pin SOJ and 44-pin TSOP 2 packages.

Absolute maximum ratings

Parameter	Symbol	Min	Max	Unit
Voltage on V_{CC} relative to GND	V_{t1}	-0.5	+7.0	V
Voltage on any pin relative to GND	V_{t2}	-0.5	$V_{CC} + 0.5$	V
Power dissipation	P_D	–	1.0	W
Storage temperature (plastic)	T_{stg}	-65	+150	$^{\circ}C$
Temperature with V_{CC} applied	T_{bias}	-55	+125	$^{\circ}C$
DC current into output (low)	I_{OUT}	–	20	mA

NOTE: Stresses greater than those listed under *Absolute Maximum Ratings* may cause permanent damage to the device. This is a stress rating only and functional operation of the device at these or any other conditions outside those indicated in the operational sections of this specification is not implied. Exposure to absolute maximum rating conditions for extended periods may affect reliability.

Truth table

\overline{CE}	\overline{WE}	\overline{OE}	Data	Mode
H	X	X	High Z	Standby (I_{SB} , I_{SB1})
L	H	H	High Z	Output disable (I_{CC})
L	H	L	D_{OUT}	Read (I_{CC})
L	L	X	D_{IN}	Write (I_{CC})



Recommended operating condition

Parameter		Symbol	Min	Nominal	Max	Unit
Supply voltage		$V_{CC}(10/12/15/20)$	4.5	5.0	5.5	V
Input voltage		V_{IH}^*	2.2	–	$V_{CC} + 0.5$	V
		V_{IL}^{**}	–0.5	–	0.8	V
Ambient operating temperature	commercial	T_A	0	–	70	°C
	industrial	T_A	–40	–	85	°C

* $V_{IH\ max} = V_{CC} + 1.5V$ for pulse width less than 5 nS.

** $V_{IL\ min} = -1.0V$ for pulse width less than 5 nS.

DC operating characteristics (over the operating range)¹

Parameter	Symbol	Test conditions	–10		–12		–15		–20		Unit	Notes
			Min	Max	Min	Max	Min	Max	Min	Max		
Input leakage current	$ I_{LI} $	$V_{CC} = \text{Max}, V_{IN} = \text{GND to } V_{CC}$	–	1	–	1	–	1	–	1	μA	
Output leakage current	$ I_{LO} $	$V_{CC} = \text{Max}, \overline{CE} = V_{IH}$ $V_{OUT} = \text{GND to } V_{CC}$	–	1	–	1	–	1	–	1	μA	
Operating power supply current	I_{CC}	$V_{CC} = \text{Max}, \overline{CE} < V_{IL}$ $f = f_{Max}, I_{OUT} = 0\text{mA}$	–	160	–	140	–	120	–	100	mA	
Standby power supply current	I_{SB}	$V_{CC} = \text{Max}, \overline{CE} \geq V_{IH}$ $f = f_{Max}, I_{OUT} = 0\text{mA}$	–	60	–	55	–	50	–	40	mA	
	I_{SB1}	$V_{CC} = \text{Max},$ $\overline{CE} \geq V_{CC} - 0.2V,$ $V_{IN} \leq 0.2V \text{ or } V_{IN} \geq V_{CC} - 0.2V,$ $f = 0$	–	10	–	10	–	10	–	10	mA	
Output voltage	V_{OL}	$I_{OL} = 6\text{ mA}, V_{CC} = \text{Min}$	–	0.4	–	0.4	–	0.4	–	0.4	V	4
		$I_{OL} = 8\text{ mA}, V_{CC} = \text{Min}$	–	0.5	–	0.5	–	0.5	–	0.5	V	4
	V_{OH}	$I_{OH} = -4\text{ mA}, V_{CC} = \text{Min}$	2.4	–	2.4	–	2.4	–	2.4	–	V	4

Capacitance ($f = 1\text{MHz}, T_a = 25^\circ\text{C}, V_{CC} = \text{NOMINAL}$)⁴

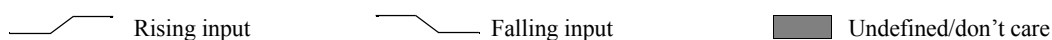
Parameter	Symbol	Signals	Test conditions	Max	Unit
Input capacitance	C_{IN}	A, \overline{CE} , \overline{WE} , \overline{OE}	$V_{IN} = 0V$	5	pF
I/O capacitance	$C_{I/O}$	I/O	$V_{IN} = V_{OUT} = 0V$	7	pF



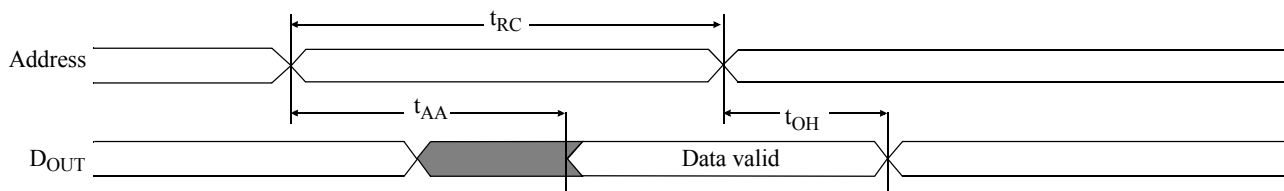
Read cycle (over the operating range)^{2,8}

Parameter	Symbol	-10		-12		-15		-20		Unit	Notes
		Min	Max	Min	Max	Min	Max	Min	Max		
Read cycle time	t_{RC}	10	–	12	–	15	–	20	–	ns	
Address access time	t_{AA}	–	10	–	12	–	15	–	20	ns	2
Chip enable (\overline{CE}) access time	t_{ACE}	–	10	–	12	–	15	–	20	ns	2
Output enable (\overline{OE}) access time	t_{OE}	–	5	–	6	–	6	–	6	ns	
Output hold from address change	t_{OH}	3	–	3	–	3	–	3	–	ns	4
\overline{CE} Low to output in low Z	t_{CLZ}	3	–	3	–	3	–	3	–	ns	3,4
\overline{CE} High to output in high Z	t_{CHZ}	–	5	–	6	–	7	–	9	ns	3,4
\overline{OE} Low to output in low Z	t_{OLZ}	0	–	0	–	0	–	0	–	ns	3,4
\overline{OE} High to output in high Z	t_{OHZ}	–	5	–	6	–	7	–	9	ns	3,4
Power up time	t_{PU}	0	–	0	–	0	–	0	–	ns	3,4
Power down time	t_{PD}	–	10	–	12	–	15	–	20	ns	3,4

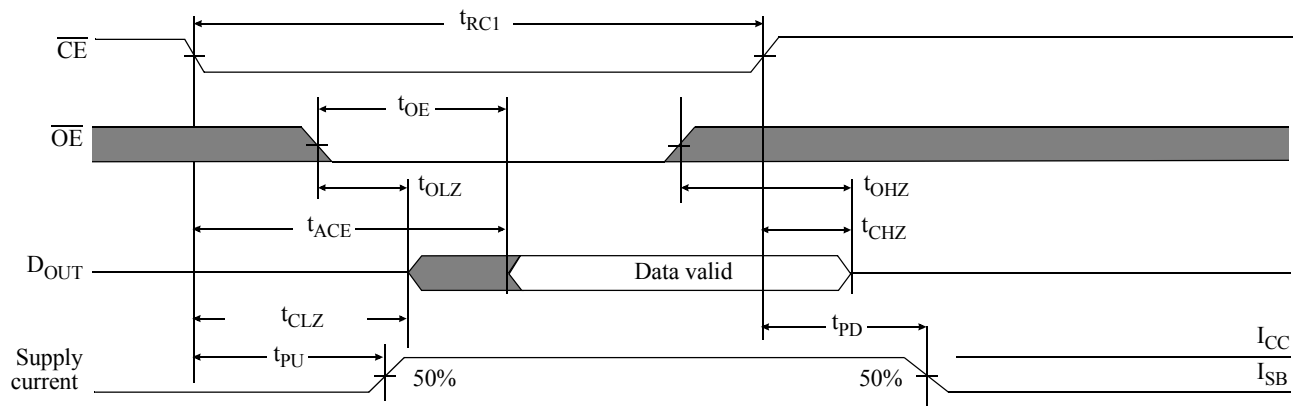
Key to switching waveforms



Read waveform 1 (address controlled)^{2,5,6,8}



Read waveform 2 (\overline{CE} , \overline{OE} controlled)^{2,5,7,8}

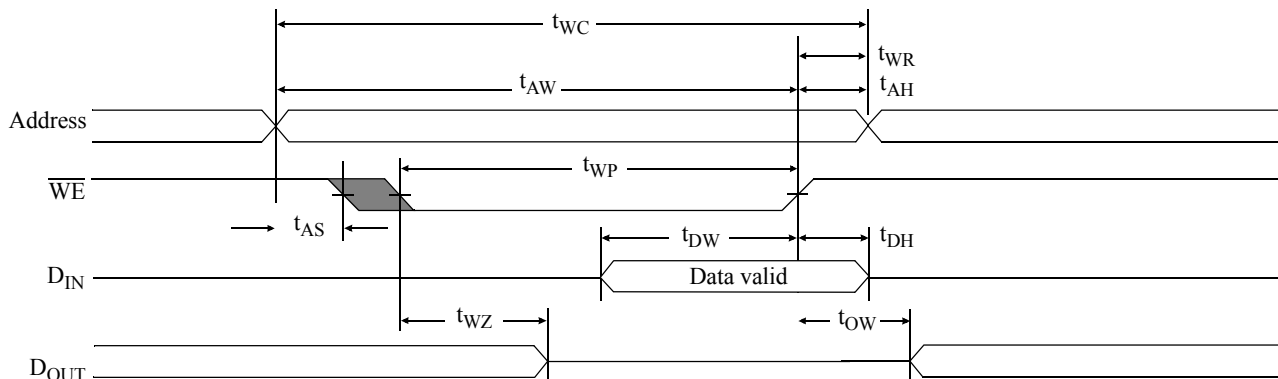




Write cycle (over the operating range)⁹

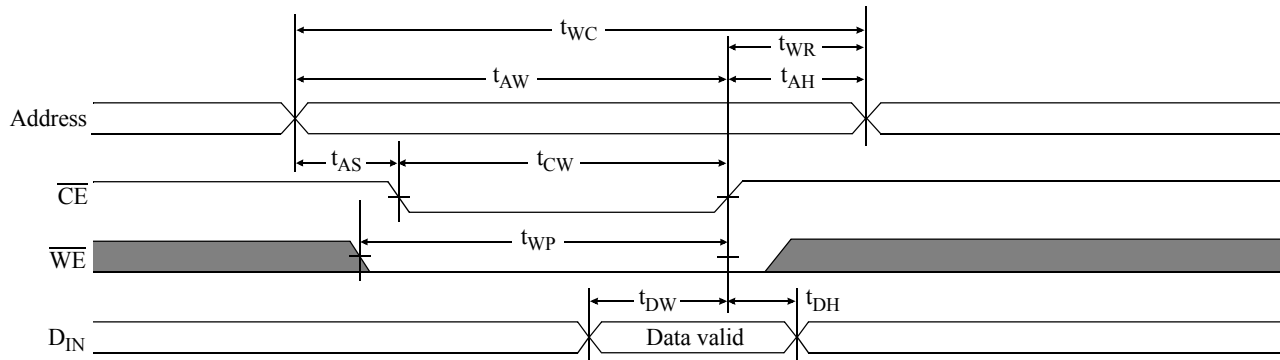
Parameter	Symbol	-10		-12		-15		-20		Unit	Notes
		Min	Max	Min	Max	Min	Max	Min	Max		
Write cycle time	t_{WC}	10	–	12	–	15	–	20	–	ns	
Chip enable (\overline{CE}) to write end	t_{CW}	7	–	8	–	10	–	12	–	ns	
Address setup to write end	t_{AW}	7	–	8	–	10	–	12	–	ns	
Address setup time	t_{AS}	0	–	0	–	0	–	0	–	ns	
Write pulse width ($\overline{OE} = \text{high}$)	t_{WP1}	7	–	8	–	10	–	12	–	ns	
Write pulse width ($\overline{OE} = \text{low}$)	t_{WP2}	10	–	12	–	15	–	20	–	ns	
Address hold from end of write	t_{AH}	0	–	0	–	0	–	0	–	ns	
Write recovery time	t_{WR}	0	–	0	–	0	–	0	–	ns	
Data valid to write end	t_{DW}	5	–	6	–	7	–	9	–	ns	
Data hold time	t_{DH}	0	–	0	–	0	–	0	–	ns	3,4
Write enable to output in high Z	t_{WZ}	2	5	2	6	2	7	2	9	ns	3,4
Output active from write end	t_{OW}	3	–	3	–	3	–	3	–	ns	3,4

Write waveform 1 (\overline{WE} controlled)⁹





Write waveform 2 ($\overline{\text{CE}}$ controlled)⁹



AC test conditions

- Output load: see Figure B.
- Input pulse level: GND to $V_{CC} - 0.5V$. See Figures A and B.
- Input rise and fall times: 2 ns. See Figure A.
- Input and output timing reference levels: 1.5V.

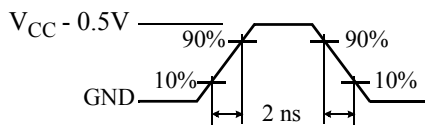


Figure A: Input pulse

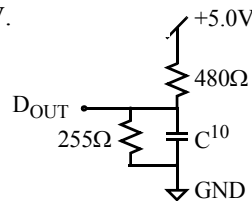
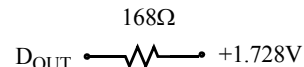


Figure B: 5.0V Output load

Thevenin equivalent:

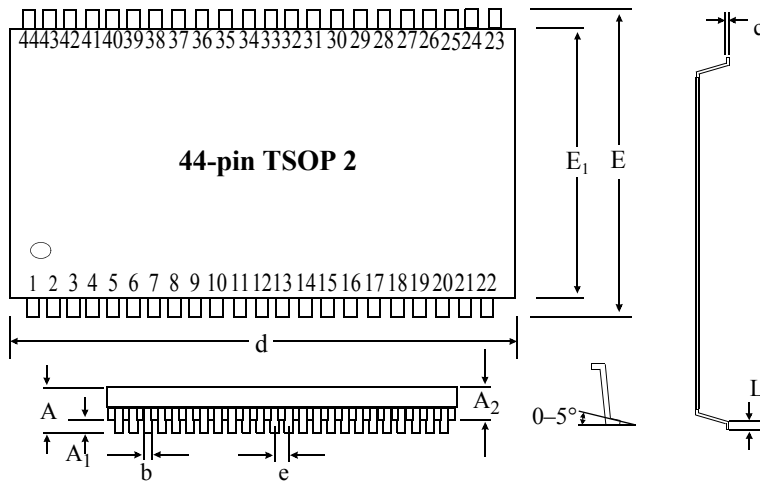


Notes

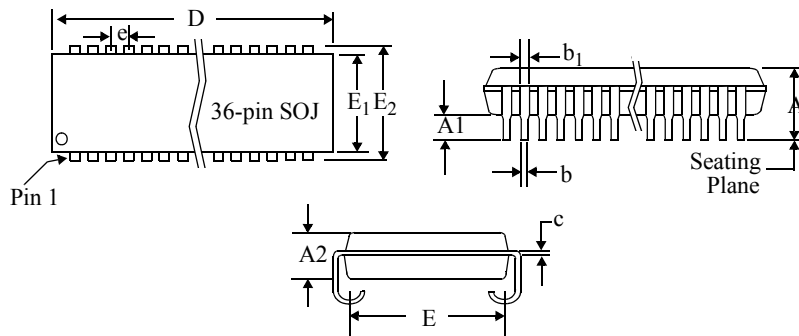
- 1 During V_{CC} power-up, a pull-up resistor to V_{CC} on $\overline{\text{CE}}$ is required to meet I_{SB} specification.
- 2 For test conditions, see *AC Test Conditions*.
- 3 t_{CLZ} and t_{CHZ} are specified with $C_L = 5\text{pF}$ as in Figure B. Transition is measured ± 500 mV from steady-state voltage.
- 4 This parameter is guaranteed, but not tested.
- 5 $\overline{\text{WE}}$ is HIGH for read cycle.
- 6 $\overline{\text{CE}}$ and $\overline{\text{OE}}$ are LOW for read cycle.
- 7 Address valid prior to or coincident with $\overline{\text{CE}}$ transition Low.
- 8 All read cycle timings are referenced from the last valid address to the first transitioning address.
- 9 All write cycle timings are referenced from the last valid address to the first transitioning address.
- 10 $C = 30\text{pF}$, except at high Z and low Z parameters, where $C = 5\text{pF}$.



Package dimensions



	44-pin TSOP 2	
	Min(mm)	Max(mm)
A		1.2
A ₁	0.05	0.15
A ₂	0.95	1.05
b	0.30	0.45
c	0.12	0.21
d	18.31	18.52
E ₁	10.06	10.26
E	11.68	11.94
e	0.80 (typical)	
L	0.40	0.60



	36-pin SOJ 400	
	Min(mils)	Max(mils)
A	0.128	0.148
A ₁	0.025	-
A ₂	0.105	0.115
b	0.015	0.020
b ₁	0.026	0.032
c	0.007	0.013
D	.920	.930
e	0.045	0.055
E	0.370 BSC	
E ₁	0.395	0.405
E ₂	0.435	0.445



Ordering codes

Package	Version	10 ns	12 ns	15 ns	20 ns
SOJ	Commercial	AS7C4096A-10JC	AS7C4096A-12JC	AS7C4096A-15JC	AS7C4096A-20JC
	Industrial	AS7C4096A-10JI	AS7C4096A-12JI	AS7C4096A-15JI	AS7C4096A-20JI
TSOP 2	Commercial	AS7C4096A-10TC	AS7C4096A-12TC	AS7C4096A-15TC	AS7C4096A-20TC
	Industrial	AS7C4096A-10TI	AS7C4096A-12TI	AS7C4096A-15TI	AS7C4096A-20TI

Note: Add suffix 'N' to the above part number for Lead Free Parts. (Ex: AS7C4096A - 10 TIN)

Part numbering system

AS7C	4096A	-XX	J or T	X	X
SRAM prefix	Device number	Access time	Packages: J: SOJ 400 mil T: TSOP 2	Temperature ranges: C: Commercial, 0°C to 70°C I: Industrial, -40°C to 85°C	N=Lead Free Parts



Revision History

Rev. No.	History	Revised Date
v1.0	Initial release	11/08/04
v1.1	Included I_{CC} , I_{SB} & I_{SB1} parameters	05/27/05
	Corrected the following: T_{OE} , V_{IH} , V_{OL} & t_{WZ}	
v1.2	Removed the title "PRELIMINARY INFORMATION"	02/21/06



AS7C4096A



Alliance Semiconductor Corporation
2575, Augustine Drive,
Santa Clara, CA 95054
Tel: 408 - 855 - 4900
Fax: 408 - 855 - 4999
www.alsc.com

Copyright © Alliance Semiconductor
All Rights Reserved
Part Number: AS7C4096A
Document Version: v 1.2

© Copyright 2003 Alliance Semiconductor Corporation. All rights reserved. Our three-point logo, our name and Intelliwatt are trademarks or registered trademarks of Alliance. All other brand and product names may be the trademarks of their respective companies. Alliance reserves the right to make changes to this document and its products at any time without notice. Alliance assumes no responsibility for any errors that may appear in this document. The data contained herein represents Alliance's best data and/or estimates at the time of issuance. Alliance reserves the right to change or correct this data at any time, without notice. If the product described herein is under development, significant changes to these specifications are possible. The information in this product data sheet is intended to be general descriptive information for potential customers and users, and is not intended to operate as, or provide, any guarantee or warranty to any user or customer. Alliance does not assume any responsibility or liability arising out of the application or use of any product described herein, and disclaims any express or implied warranties related to the sale and/or use of Alliance products including liability or warranties related to fitness for a particular purpose, merchantability, or infringement of any intellectual property rights, except as expressly agreed to in Alliance's Terms and Conditions of Sale (which are available from Alliance). All sales of Alliance products are made exclusively according to Alliance's Terms and Conditions of Sale. The purchase of products from Alliance does not convey a license under any patent rights, copyrights, mask works rights, trademarks, or any other intellectual property rights of Alliance or third parties. Alliance does not authorize its products for use as critical components in life-supporting systems where a malfunction or failure may reasonably be expected to result in significant injury to the user, and the inclusion of Alliance products in such life-supporting systems implies that the manufacturer assumes all risk of such use and agrees to indemnify Alliance against all claims arising from such use.

Looking for pricing, stock, or lifecycle information?

Click below to explore more details on WIN SOURCE:

 [View AS7C4096A-15JCNTR on WIN SOURCE](#)

 [Alliance Memory, Inc. Information](#)

Optimize Your Supply Chain with WIN SOURCE Solutions

-  Global Sourcing Solution
-  Obsolete Management
-  Cost Control Management
-  Shortage Management
-  Alternative Solution
-  Excess Inventory Management