

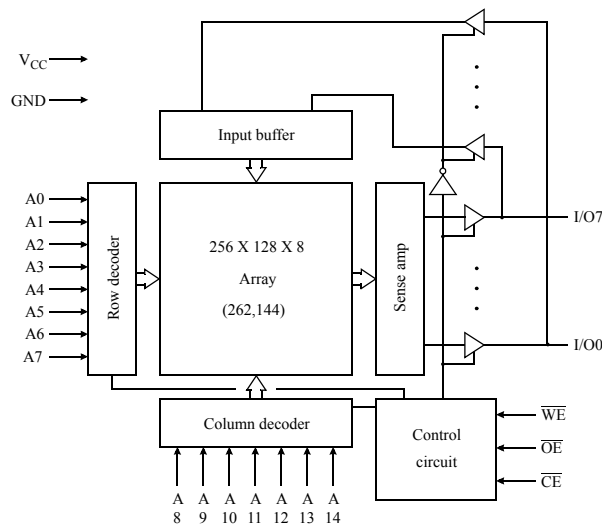


5V 32K X 8 CMOS SRAM (Common I/O)

Features

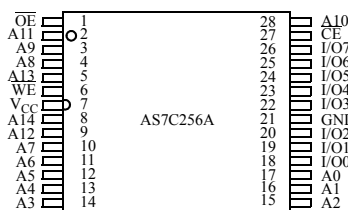
- Pin compatible with AS7C256
- Industrial and commercial temperature options
- Organization: 32,768 words × 8 bits
- High speed
 - 10/12/15/20 ns address access time
 - 5, 6, 7, 8 ns output enable access time
- Very low power consumption: ACTIVE
 - 412.5 mW max @ 10 ns
- Very low power consumption: STANDBY
 - 11 mW max CMOS I/O
- Easy memory expansion with \overline{CE} and \overline{OE} inputs
- TTL-compatible, three-state I/O
- 28-pin JEDEC standard packages
 - 300 mil SOJ
 - 8 × 13.4 mm TSOP 1
- ESD protection ≥ 2000 volts
- Latch-up current ≥ 200 mA
- 2.0V Data retention

Logic block diagram

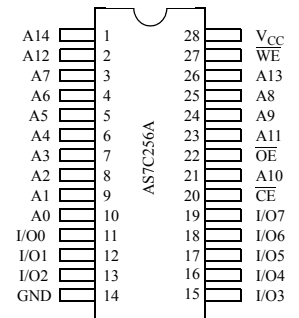


Pin arrangement

28-pin TSOP 1 (8×13.4 mm)



28-pin SOJ (300 mil)



Selection guide

| | -10 | -12 | -15 | -20 | Unit |
|-----------------------------------|-----|-----|-----|-----|------|
| Maximum address access time | 10 | 12 | 15 | 20 | ns |
| Maximum output enable access time | 5 | 6 | 7 | 8 | ns |
| Maximum operating current | 75 | 70 | 65 | 60 | mA |
| Maximum CMOS standby current | 2 | 2 | 2 | 2 | mA |



Functional description

The AS7C256A is a 5.0V high-performance CMOS 262,144-bit Static Random-Access Memory (SRAM) device organized as 32,768 words \times 8 bits. It is designed for memory applications requiring fast data access at low voltage, including Pentium™, PowerPC™, and portable computing. Alliance's advanced circuit design and process techniques permit 5.0V operation without sacrificing performance or operating margins.

The device enters *standby mode* when \overline{CE} is high. CMOS standby mode consumes ≤ 11 mW. Normal operation offers 75% power reduction after initial access, resulting in significant power savings during CPU idle, suspend, and stretch mode.

Equal address access and cycle times (t_{AA} , t_{RC} , t_{WC}) of 10/12/15/20 ns with output enable access times (t_{OE}) of 5, 6, 7, 8 ns are ideal for high-performance applications. The chip enable (\overline{CE}) input permits easy memory expansion with multiple-bank memory organizations.

A write cycle is accomplished by asserting chip enable (\overline{CE}) and write enable (\overline{WE}) LOW. Data on the input pins I/O0-I/O7 is written on the rising edge of \overline{WE} (write cycle 1) or \overline{CE} (write cycle 2). To avoid bus contention, external devices should drive I/O pins only after outputs have been disabled with output enable (\overline{OE}) or write enable (\overline{WE}).

A read cycle is accomplished by asserting chip enable (\overline{CE}) and output enable (\overline{OE}) LOW, with write enable (\overline{WE}) high. The chip drives I/O pins with the data word referenced by the input address. When chip enable or output enable is high, or write enable is low, output drivers stay in high-impedance mode.

All chip inputs and outputs are TTL-compatible. Operation is from a single 5.0 \pm 0.5V supply. The AS7C256A is packaged in high volume industry standard packages.

Absolute maximum ratings

| Parameter | Symbol | Min | Max | Unit |
|---|------------|------|----------------|------|
| Voltage on V_{CC} relative to GND | V_{t1} | -0.5 | +7.0 | V |
| Voltage on any pin relative to GND | V_{t2} | -0.5 | $V_{CC} + 0.5$ | V |
| Power dissipation | P_D | - | 1.0 | W |
| Storage temperature (plastic) | T_{stg} | -65 | +150 | °C |
| Ambient temperature with V_{CC} applied | T_{bias} | -55 | +125 | °C |
| DC current into outputs (low) | I_{OUT} | - | 20 | mA |

Stresses greater than those listed under *Absolute Maximum Ratings* may cause permanent damage to the device. This is a stress rating only and functional operation of the device at these or any other conditions outside those indicated in the operational sections of this specification is not implied. Exposure to absolute maximum rating conditions for extended periods may affect reliability.

Truth table

| \overline{CE} | \overline{WE} | \overline{OE} | Data | Mode |
|-----------------|-----------------|-----------------|-----------|----------------------------------|
| H | X | X | High Z | Standby (I_{SB} , I_{SB1}) |
| L | H | H | High Z | Output disable (I_{CC}) |
| L | H | L | D_{OUT} | Read (I_{CC}) |
| L | L | X | D_{IN} | Write (I_{CC}) |

Key: X = Don't care, L = Low, H = High



Recommended operating conditions

| Parameter | | Symbol | Min | Typical | Max | Unit | |
|-------------------------------|--|---------------|-------|---------|--------------|------|----|
| Supply voltage | | V_{CC} | 4.5 | 5.0 | 5.5 | V | |
| Input voltage | | V_{IH}^{**} | 2.2 | – | $V_{CC}+0.5$ | V | |
| | | V_{IL}^* | -0.5 | – | 0.8 | V | |
| Ambient operating temperature | | commercial | T_A | 0 | – | 70 | °C |
| | | industrial | T_A | -40 | – | 85 | °C |

* V_{IL} min = -1.0V for pulse width less than 5ns.

** V_{IH} max = $V_{CC} + 2.0V$ for pulse width less than 5ns.

DC operating characteristics (over the operating range)¹

| Parameter | Sym | Test conditions | -10 | | -12 | | -15 | | -20 | | Unit | Notes |
|--------------------------------|------------|--|-----|-----|-----|-----|-----|-----|-----|-----|---------------|-------|
| | | | Min | Max | Min | Max | Min | Max | Min | Max | | |
| Input leakage current | $ I_{LI} $ | $V_{CC} = \text{Max}, V_{in} = \text{GND to } V_{CC}$ | – | 1 | – | 1 | – | 1 | – | 1 | μA | |
| Output leakage current | $ I_{LO} $ | $V_{CC} = \text{Max}, V_{OUT} = \text{GND to } V_{CC}$ | – | 1 | – | 1 | – | 1 | – | 1 | μA | |
| Operating power supply current | I_{CC} | $V_{CC} = \text{Max}, \overline{CE} \leq V_{IL}$ $f = f_{\text{Max}}, I_{OUT} = 0\text{mA}$ | – | 75 | – | 70 | – | 65 | – | 60 | mA | |
| Standby power supply current | I_{SB} | $V_{CC} = \text{Max}, \overline{CE} \geq V_{IH}$ $f = f_{\text{Max}}$ | – | 45 | – | 45 | – | 40 | – | 40 | mA | |
| | I_{SB1} | $V_{CC} = \text{Max}, \overline{CE} \geq V_{CC}-0.2V$ $V_{IN} \leq 0.2V$ or $V_{IN} \geq V_{CC}-0.2V, f = 0$ | – | 2.0 | – | 2.0 | – | 2.0 | – | 2.0 | mA | |
| Output voltage | V_{OL} | $I_{OL} = 8 \text{ mA}, V_{CC} = \text{Min}$ | – | 0.4 | – | 0.4 | – | 0.4 | – | 0.4 | V | 4 |
| | V_{OH} | $I_{OH} = -4 \text{ mA}, V_{CC} = \text{Min}$ | 2.4 | – | 2.4 | – | 2.4 | – | 2.4 | – | V | 4 |

Capacitance ($f = 1\text{MHz}, T_a = \text{room temperature}, V_{CC} = \text{NOMINAL}$)⁴

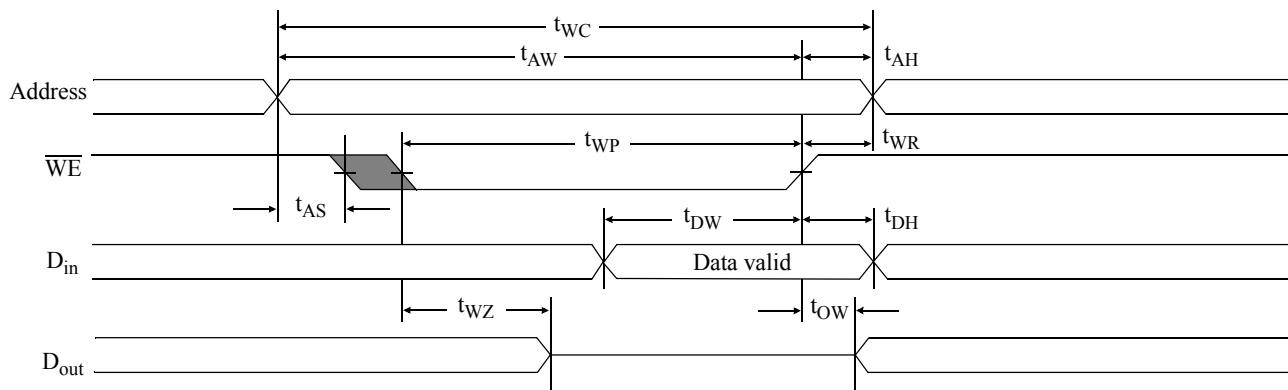
| Parameter | Symbol | Signals | Test conditions | Max | Unit |
|-------------------|-----------|--|-------------------------|-----|------|
| Input capacitance | C_{IN} | A, \overline{CE} , \overline{WE} , \overline{OE} | $V_{in} = 0V$ | 5 | pF |
| I/O capacitance | $C_{I/O}$ | I/O | $V_{in} = V_{out} = 0V$ | 7 | pF |



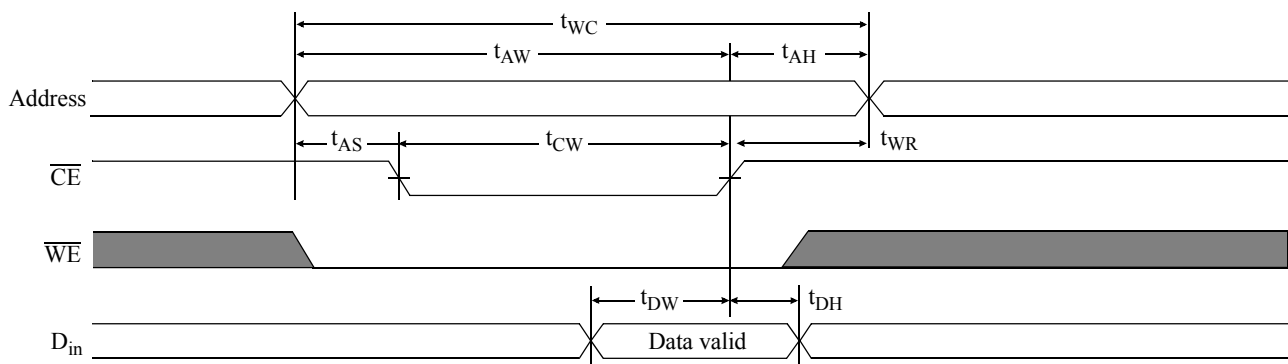
Write cycle (over the operating range)⁹

| Parameter | Symbol | -10 | | -12 | | -15 | | -20 | | Unit | Notes |
|----------------------------------|----------|-----|-----|-----|-----|-----|-----|-----|-----|------|-------|
| | | Min | Max | Min | Max | Min | Max | Min | Max | | |
| Write cycle time | t_{WC} | 10 | – | 12 | – | 15 | – | 20 | – | ns | |
| Chip enable to write end | t_{CW} | 8 | – | 8 | – | 10 | – | 12 | – | ns | |
| Address setup to write end | t_{AW} | 8 | – | 8 | – | 10 | – | 12 | – | ns | |
| Address setup time | t_{AS} | 0 | – | 0 | – | 0 | – | 0 | – | ns | |
| Write pulse width | t_{WP} | 7 | – | 8 | – | 9 | – | 12 | – | ns | |
| Write recovery time | t_{WR} | 0 | – | 0 | – | 0 | – | 0 | – | ns | |
| Address hold from end of write | t_{AH} | 0 | – | 0 | – | 0 | – | 0 | – | ns | |
| Data valid to write end | t_{DW} | 5 | – | 6 | – | 8 | – | 10 | – | ns | |
| Data hold time | t_{DH} | 0 | – | 0 | – | 0 | – | 0 | – | ns | 3,4 |
| Write enable to output in high Z | t_{WZ} | – | 5 | – | 6 | – | 7 | – | 8 | ns | 3,4 |
| Output active from write end | t_{OW} | 3 | – | 3 | – | 3 | – | 3 | – | ns | 3,4 |

Write waveform 1 (\overline{WE} controlled)⁹



Write waveform 2 (\overline{CE} controlled)⁹





AC test conditions

- Output load: see Figure B
- Input pulse level: GND to V_{CC} See Figure A.
- Input rise and fall times: 2 ns. See Figure A.
- Input and output timing reference levels: 1.5V.

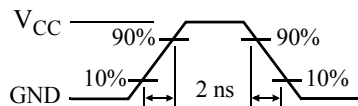


Figure A: Input pulse

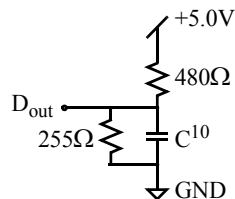
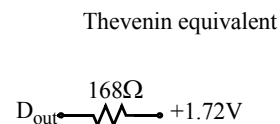


Figure B: Output load



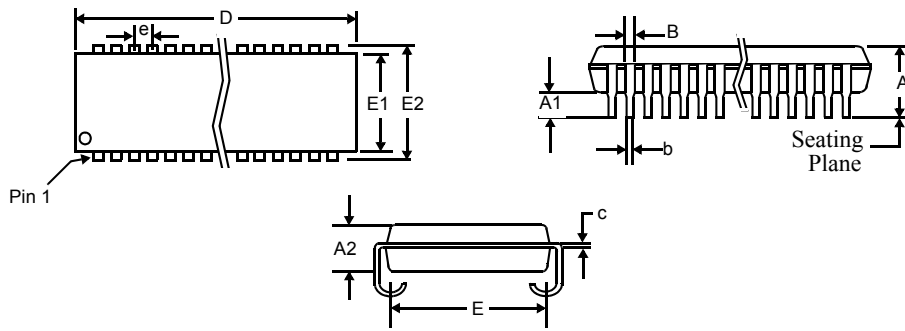
Notes

- 1 During V_{CC} power-up, a pull-up resistor to V_{CC} on \overline{CE} is required to meet I_{SB} specification.
- 2 For test conditions, see *AC Test Conditions*, Figures A, B.
- 3 These parameters are specified with $C_L = 5\text{pF}$, as in Figures B. Transition is measured $\pm 500\text{mV}$ from steady-state voltage.
- 4 This parameter is guaranteed, but not tested.
- 5 \overline{WE} is High for read cycle.
- 6 \overline{CE} and \overline{OE} are Low for read cycle.
- 7 Address valid prior to or coincident with \overline{CE} transition Low.
- 8 All read cycle timings are referenced from the last valid address to the first transitioning address.
- 9 All write cycle timings are referenced from the last valid address to the first transitioning address.
- 10 $C=30\text{pF}$, except on High Z and Low Z parameters, where $C=5\text{pF}$.



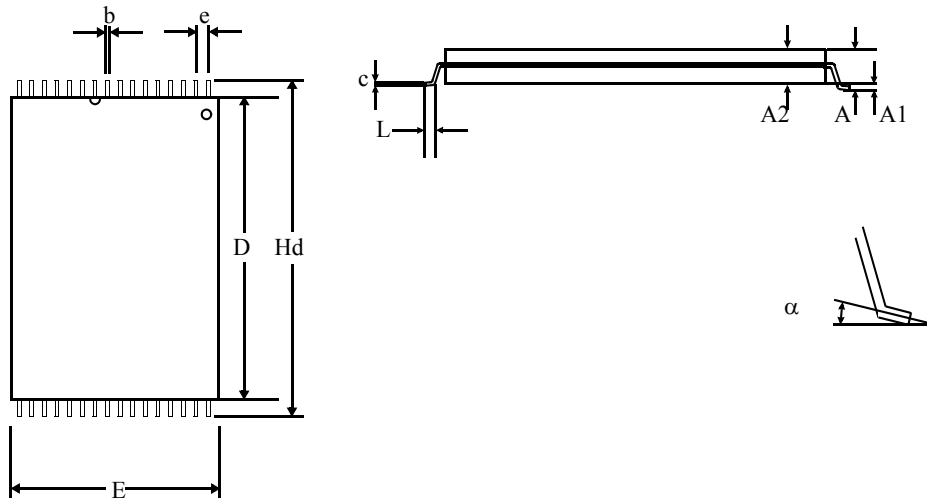
Package diagrams

28-pin SOJ



| 28-pin SOJ | | |
|------------|-----------|-------|
| | Min | Max |
| in inches | | |
| A | 0.128 | 0.148 |
| A1 | 0.026 | - |
| A2 | 0.095 | 0.105 |
| B | 0.026 | 0.032 |
| b | 0.016 | 0.020 |
| c | 0.007 | 0.010 |
| D | 0.720 | 0.730 |
| E | 0.255 | 0.275 |
| E1 | 0.295 | 0.305 |
| E2 | 0.330 | 0.340 |
| e | 0.050 BSC | |

28-pin TSOP1



| 28-pin TSOP1 8×13.4 mm | | |
|---------------------------|--------------|-------|
| | Min | Max |
| A | 1.00 | 1.20 |
| A1 | 0.05 | 0.15 |
| A2 | 0.91 | 1.05 |
| b | 0.17 | 0.27 |
| c | 0.10 | 0.20 |
| D | 11.70 | 11.90 |
| e | 0.55 nominal | |
| E | 7.90 | 8.10 |
| Hd | 13.20 | 13.60 |
| L | 0.50 | 0.70 |
| α | 0° | 5° |



Ordering information

| Package / Access time | Temperature | 10 ns | 12 ns | 15 ns | 20 ns |
|-----------------------|-------------|---------------|---------------|---------------|---------------|
| Plastic SOJ, 300 mil | Commercial | AS7C256A-10JC | AS7C256A-12JC | AS7C256A-15JC | AS7C256A-20JC |
| | Industrial | AS7C256A-10JI | AS7C256A-12JI | AS7C256A-15JI | AS7C256A-20JI |
| TSOP 8x13.4mm | Commercial | AS7C256A-10TC | AS7C256A-12TC | AS7C256A-15TC | AS7C256A-20TC |
| | Industrial | AS7C256A-10TI | AS7C256A-12TI | AS7C256A-15TI | AS7C256A-20TI |

Note: Add suffix 'N' to the above part number for lead free parts. (Ex. AS7C256A-10JIN)

Part numbering system

| AS7C | 256A | -XX | X | C or I | X |
|-------------|---------------|-------------|---|--|-------------------|
| SRAM prefix | Device number | Access time | Packages: J = SOJ 300 mil T = TSOP 8x13.4mm | Temperature range: C = 0 °C to 70 °C I = -40C to 85C | N= Lead Free Part |



AS7C256A



Alliance Semiconductor Corporation
2575, Augustine Drive,
Santa Clara, CA 95054
Tel: 408 - 855 - 4900
Fax: 408 - 855 - 4999
www.alsc.com

Copyright © Alliance Semiconductor
All Rights Reserved
Part Number: AS7C256A
Document Version: v.1.2

© Copyright 2003 Alliance Semiconductor Corporation. All rights reserved. Our three-point logo, our name and Intelliwatt are trademarks or registered trademarks of Alliance. All other brand and product names may be the trademarks of their respective companies. Alliance reserves the right to make changes to this document and its products at any time without notice. Alliance assumes no responsibility for any errors that may appear in this document. The data contained herein represents Alliance's best data and/or estimates at the time of issuance. Alliance reserves the right to change or correct this data at any time, without notice. If the product described herein is under development, significant changes to these specifications are possible. The information in this product data sheet is intended to be general descriptive information for potential customers and users, and is not intended to operate as, or provide, any guarantee or warranty to any user or customer. Alliance does not assume any responsibility or liability arising out of the application or use of any product described herein, and disclaims any express or implied warranties related to the sale and/or use of Alliance products including liability or warranties related to fitness for a particular purpose, merchantability, or infringement of any intellectual property rights, except as expressly agreed to in Alliance's Terms and Conditions of Sale (which are available from Alliance). All sales of Alliance products are made exclusively according to Alliance's Terms and Conditions of Sale. The purchase of products from Alliance does not convey a license under any patent rights, copyrights, mask works rights, trademarks, or any other intellectual property rights of Alliance or third parties. Alliance does not authorize its products for use as critical components in life-supporting systems where a malfunction or failure may reasonably be expected to result in significant injury to the user, and the inclusion of Alliance products in such life-supporting systems implies that the manufacturer assumes all risk of such use and agrees to indemnify Alliance against all claims arising from such use.

Looking for pricing, stock, or lifecycle information?

Click below to explore more details on WIN SOURCE:

- ⊖ [View AS7C256A-20JCN on WIN SOURCE](#)
- ⊖ [Alliance Memory, Inc. Information](#)

Optimize Your Supply Chain with WIN SOURCE Solutions

- ✓ Global Sourcing Solution
- ✓ Obsolete Management
- ✓ Cost Control Management
- ✓ Shortage Management
- ✓ Alternative Solution
- ✓ Excess Inventory Management