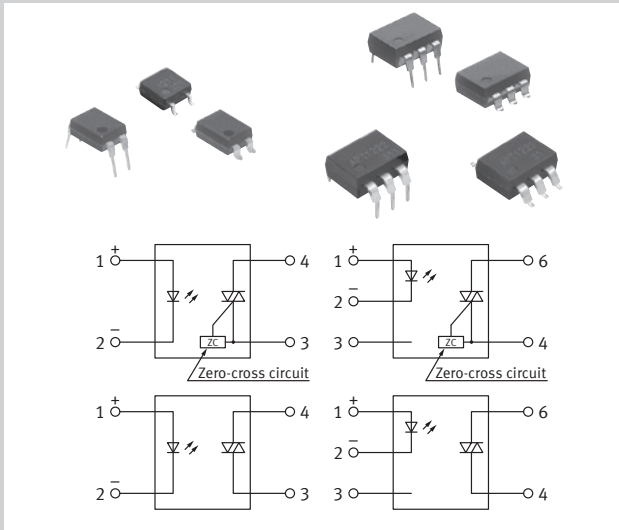


Solid State Relays



# Phototriac Coupler

Phototriac coupler for the industrial machinery and consumer electronics



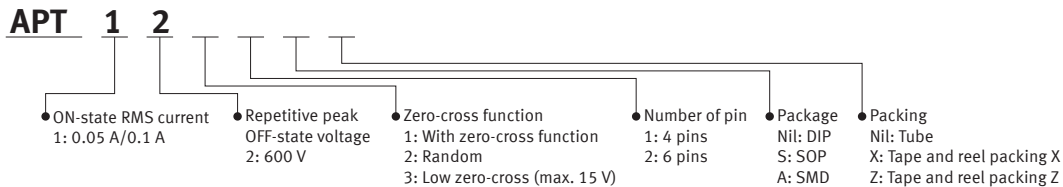
### FEATURES

- Two methods available: Zero-cross method and Random method
- Low zero-cross voltage (Max. 15 V) type added to lineup. <Approximately 1/3 of previous product>
- Many package sizes available.
- Safety standards
  - SOP 4 pins: C-UL (UL1577) certified  
VDE (EN60747-5-5) certified
  - DIP 4/6 pins: C-UL (UL1577) certified  
VDE (EN60747-5-5) certified  
VDE (EN62368-1) reinforced insulation certified

### TYPICAL APPLICATIONS

- For triac ignition, For 100 V/200 V, 50/60 Hz lines
- For triac ignition in heater controls of products such as office equipment, home appliances, and industrial machines
- Triac driver for SSRs.

### ORDERING INFORMATION (PART NO.)



### TYPES

#### ■ Phototriac Coupler

##### ● SOP4 Type

Type	Output rating		Method	Package size	Part No.			Standard Packing	
	Repetitive peak OFF-state voltage	ON-state RMS current			Tube packing style	Tape and reel packing style X*	Tape and reel packing style Z*	Tube	Tape and reel
AC type	600 V	50 mA	Zero-cross (Max.50 V)	SOP4pin	APT1211S	APT1211SX	APT1211SZ	1 tube contains: 100 pcs. 1 batch contains: 2,000 pcs.	1,000 pcs.
			Zero-cross (Max.15 V)		APT1231S	APT1231SX	APT1231SZ		
			Random		APT1221S	APT1221SX	APT1221SZ		

Note: For space reasons, the initial letters of the product number "APT" and "S" are omitted on the product seal.  
The package type indicator "X" and "Z" are omitted from the seal. (Ex. the label for product number APT1221SZ is 1221).

\*Tape and reel packing style X: picked from the 1/2-pin side, tape and reel packing style Z: picked from the 3/4-pin side.

# Solid State Relays Phototriac Coupler

## ●DIP4/6 Type

Type	Output rating		Method	Package size	Part No.				Standard Packing	
	Repetitive peak OFF-state voltage	ON-state RMS current			Through hole terminal	Surface-mount terminal			Tube	Tape and reel
						Tube packing style	Tube packing style	Tape and reel packing style X*1		
AC type	600 V	100 mA	Zero-cross (Max.50 V)	DIP4pin	APT1211	APT1211A	APT1211AX	APT1211AZ	1 tube contains: 100 pcs. 1 batch contains: 1,000 pcs.	1,000 pcs.
			Zero-cross (Max.15 V)		APT1231	APT1231A	APT1231AX	APT1231AZ		
			Random		APT1221	APT1221A	APT1221AX	APT1221AZ		
			Zero-cross (Max.50 V)	DIP6pin	APT1212	APT1212A	APT1212AX	APT1212AZ	1 tube contains: 50 pcs. 1 batch contains: 500 pcs.	1,000 pcs.
			Zero-cross (Max.15 V)		APT1232	APT1232A	APT1232AX	APT1232AZ		
			Random		APT1222	APT1222A	APT1222AX	APT1222AZ		

Note: For space reasons the initial letters "APT" of the product number for the DIP 4-pin type, the letter "A", which indicates the SMD terminal shape for the DIP 4-pin and 6-pin types, and the package type indications "X" and "Z" have been omitted from the product label. (Example: The label for product number APT1221AZ is 1221.)

\*1. Tape and reel packing style X: picked from the 1/2-pin side (DIP 4-pin), picked from the 1/2/3-pin side (DIP6-pin).

\*2. Tape and reel packing style Z: picked from the 3/4-pin side (DIP 4-pin), picked from the 4/6-pin side (DIP 6-pin).

## ●DIP6 Wide Terminal Type

Type	Output rating		Method	Package size	Part No.				Standard Packing	
	Repetitive peak OFF-state voltage	ON-state RMS current			Through hole terminal	Surface-mount terminal			Tube	Tape and reel
						Tube packing style	Tube packing style	Tape and reel packing style Y*		
AC type	600 V	100 mA	Zero-cross (Max.50 V)	DIP6pin	APT1212W	APT1212WA	APT1212WAY	APT1212WAW	1 tube contains: 50 pcs. 1 batch contains: 500 pcs.	1,000 pcs.
			Zero-cross (Max.15 V)		APT1232W	APT1232WA	APT1232WAY	APT1232WAW		
			Random		APT1222W	APT1222WA	APT1222WAY	APT1222WAW		

Note: For space reasons the initial letters the letter "WA", which indicates the SMD terminal shape for the DIP 6-pin types, and the package type indications "Y" and "W" have been omitted from the product label. (Example: The label for product number APT1212WAY is 1212.)

\*Tape and reel packing style Y: picked from the 1/6-pin side, tape and reel packing style W: picked from the 3/4-pin side.

## RATING

### ■ Absolute maximum ratings (Ambient temperature: 25°C)

#### ●SOP4 Type

Item	Symbol	APT1211S, APT1221S, APT1231S		Remarks
Input	LED forward current	$I_F$	50 mA	
	LED reverse voltage	$V_R$	6 V	
	Peak forward current	$I_{FP}$	1 A	f = 100 Hz, Duty Ratio = 0.1%
Output	Repetitive peak OFF-state voltage	$V_{DRM}$	600 V	
	ON-state RMS current	$I_{T(RMS)}$	0.05 A	AC
	Non-repetitive surge current	$I_{TSM}$	0.6 A	In one cycle at 60 Hz
Total power dissipation	$P_T$	350 mW		
I/O isolation voltage	$V_{iso}$	3,750 Vrms		
Ambient temperature	$T_{opr}$	-40 to +100°C		Non-icing and non-condensing
Storage temperature	$T_{stg}$	-40 to +125°C		Non-icing and non-condensing

Note: "X" and "Z" at the end of the part numbers have been omitted.

●DIP4/6 Type and DIP6 Wide terminal Type

Item		Symbol	APT1211, APT1221, APT1231, APT1212(W), APT1222(W), APT1232(W)	Remarks
Input	LED forward current	$I_F$	50 mA	
	LED reverse voltage	$V_R$	6 V	
	Peak forward current	$I_{FP}$	1 A	$f = 100 \text{ Hz}$ , Duty Ratio = 0.1%
Output	Repetitive peak OFF-state voltage	$V_{DRM}$	600 V	
	ON-state RMS current*	$I_{T(RMS)}$	0.1 A	AC
	Non-repetitive surge current	$I_{TSM}$	1.2 A	In one cycle at 60 Hz
Total power dissipation		$P_T$	500 mW	
I/O isolation voltage		$V_{iso}$	5,000 Vrms	
Ambient temperature		$T_{opr}$	-40 to +100°C	Non-icing and non-condensing
Storage temperature		$T_{stg}$	-40 to +125°C	Non-icing and non-condensing

Note: "A", "AX", "AZ" "AY" and "AW" at the end of the part numbers have been omitted.

\*Do not exceed 0.05 A of ON state RMS current in case of following load voltage condition.

DIP4pin (APT1211, APT1221, APT1231): more than 100 Vrms;

DIP6pin (APT1212, APT1222, APT1232) and DIP6pin wide terminal type (APT1212W, APT1222W, APT1232W): more than 120 Vrms.

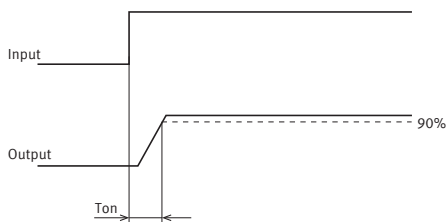
■Specifications (Ambient temperature: 25°C)

●Zero-cross Type (Max. 50V), Random Type

Item		Symbol	APT1211S, APT1211, APT1212(W)	APT1221S, APT1221, APT1222(W)	Condition	
Input	LED dropout voltage	Typical	1.21 V		$I_F = 20 \text{ mA}$	
		Maximum	1.3 V			
	LED reverse current	Typical	-		$V_R = 6 \text{ V}$	
		Maximum	10 $\mu\text{A}$			
Output	Repetitive peak OFF-state current	Typical	-		$I_F = 0 \text{ mA}$ $V_{DRM} = 600 \text{ V}$	
		Maximum	1 $\mu\text{A}$			
	Repetitive peak On-state voltage	Typical	1.3 V		$I_F = 10 \text{ mA}$ $I_{TM} = 0.05 \text{ A}$	
		Maximum	2.5 V			
	Holding current	Typical	0.3 mA			
		Maximum	3.5 mA			
Critical rate of rise of OFF-state voltage	Minimum	$dv/dt$	500 V/ $\mu\text{s}$		$V_{DRM} = 600 \text{ V} \times 1/\sqrt{2}$	
Transfer characteristics	Trigger LED current	Maximum	$I_{FT}$	10 mA		$V_D = 6 \text{ V}$ $R_L = 100 \Omega$
	Zero-cross voltage	Maximum	$V_{ZC}$	50 V	-	$I_F = 10 \text{ mA}$
	Turn on time*	Maximum	$T_{on}$	100 $\mu\text{s}$		$I_F = 20 \text{ mA}$ $V_D = 6 \text{ V}$ $R_L = 100 \Omega$
	I/O capacitance	Maximum	$C_{iso}$	1.5 pF		$f = 1 \text{ MHz}$ $V_B = 0 \text{ V}$
	I/O isolation resistance	Minimum	$R_{iso}$	50 G $\Omega$		500 V DC

Note: For type of connection, see "SCHEMATIC AND WIRING DIAGRAMS".

\*Turn on/Turn off time



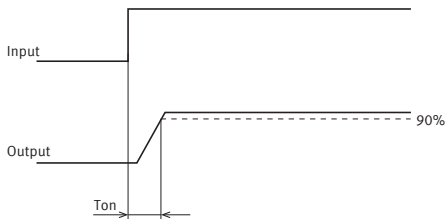
# Solid State Relays Phototriac Coupler

## ● Zero-cross Type (Max. 15V)

Item		Symbol	APT1231S, APT1231, APT1232(W)		Condition
Input	LED dropout voltage	Typical	$V_F$	1.21 V	$I_F = 20 \text{ mA}$
		Maximum		1.3 V	
	LED reverse current	Typical	$I_R$	-	$V_R = 6 \text{ V}$
		Maximum		10 $\mu\text{A}$	
Output	Repetitive peak OFF-state current	Typical	$I_{DRM}$	-	$I_F = 0 \text{ mA}$ $V_{DRM} = 600 \text{ V}$
		Maximum		1 $\mu\text{A}$	
	Repetitive peak On-state voltage	Typical	$V_{TM}$	1.2 V	$I_F = 10 \text{ mA}$ $I_{TM} = 0.03 \text{ A}$
		Maximum		2 V	
	Holding current	Typical	$I_H$	0.3 mA	
Maximum		3.5 mA			
Critical rate of rise of OFF-state voltage	Minimum	$dv/dt$	500 V/ $\mu\text{s}$	$V_{DRM} = 600 \text{ V} \times 1/\sqrt{2}$	
Transfer characteristics	Trigger LED current	Maximum	$I_{FT}$	10 mA	$I_{TM} = 0.03 \text{ A}$
	Zero-cross voltage	Maximum	$V_{ZC}$	15 V	$I_F = 10 \text{ mA}$
	Turn on time*	Maximum	$T_{on}$	100 $\mu\text{s}$	$I_F = 20 \text{ mA}$ $I_{TM} = 0.03 \text{ A}$
	I/O capacitance	Maximum	$C_{iso}$	1.5 pF	$f = 1 \text{ MHz}$ $V_B = 0 \text{ V}$
	I/O isolation resistance	Minimum	$R_{iso}$	50 G $\Omega$	500 V DC

Note: For type of connection, see "SCHEMATIC AND WIRING DIAGRAMS".

\*Turn on/Turn off time



## ■ Recommended operating conditions

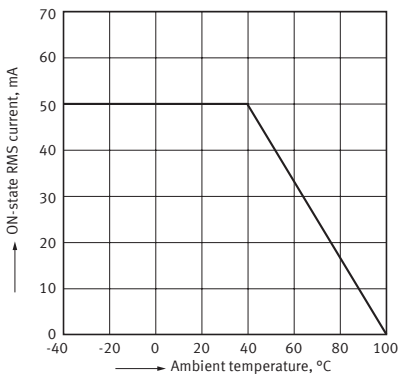
Please use under recommended operating conditions to obtain expected characteristics.

Item	Symbol	Min.	Max.	Unit
Input LED current	$I_F$	15	25	mA

## REFERENCE DATA

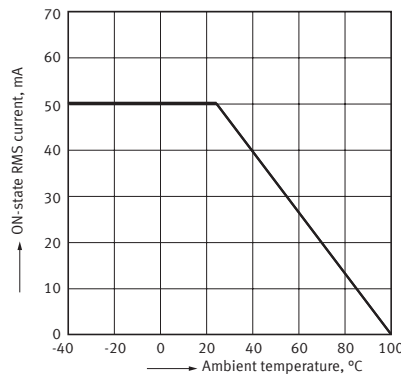
### 1-1.ON-state RMS current vs. ambient temperature characteristics

Allowable ambient temperature: -40 to +100°C  
Tested sample: APT1211S, APT1221S



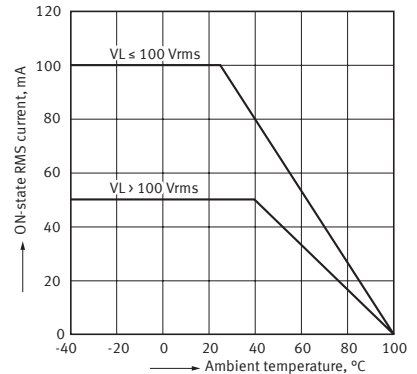
### 1-2.ON-state RMS current vs. ambient temperature characteristics

Allowable ambient temperature: -40 to +100°C  
Tested sample: APT1231S



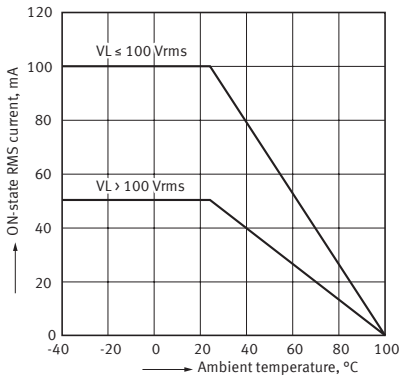
### 1-3.ON-state RMS current vs. ambient temperature characteristics

Allowable ambient temperature: -40 to +100°C  
Tested sample: APT1211 (A), APT1221 (A)



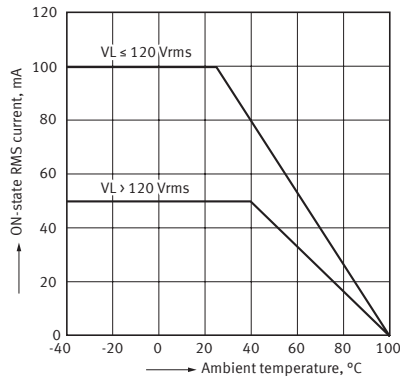
## 1-4.ON-state RMS current vs. ambient temperature characteristics

Allowable ambient temperature: -40 to +100°C  
Tested sample: APT1231 (A)



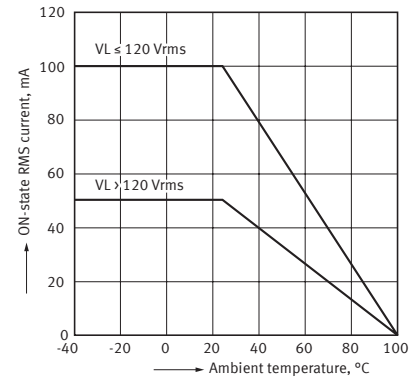
## 1-5.ON-state RMS current vs. ambient temperature characteristics

Allowable ambient temperature: -40 to +100°C  
Tested sample: APT1212 (A), APT1222 (A), APT1212W (A), APT1222W (A)

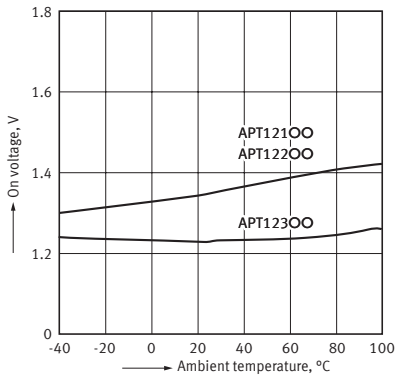


## 1-6.ON-state RMS current vs. ambient temperature characteristics

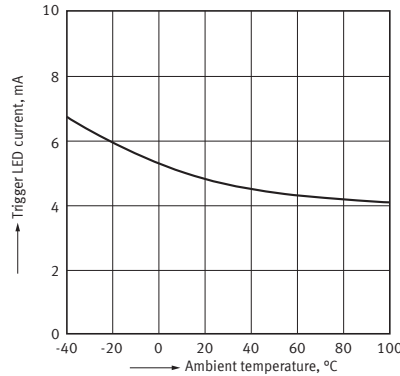
Allowable ambient temperature: -40 to +100°C  
Tested sample: APT 1232 (A), APT 1232 W (A)



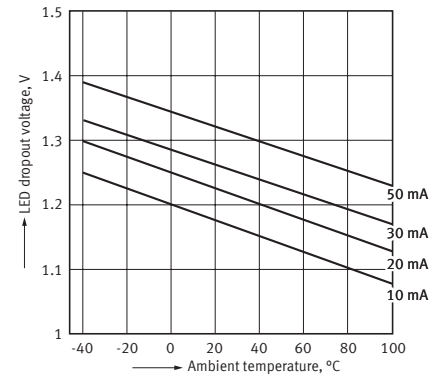
## 2.On voltage vs. ambient temperature characteristics



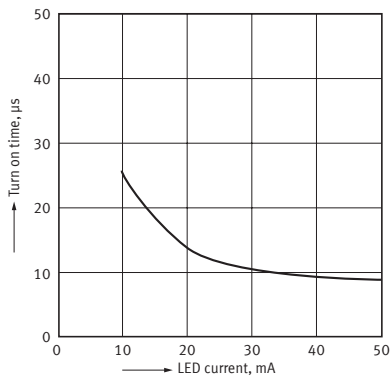
## 3.Trigger LED current vs. ambient temperature characteristics



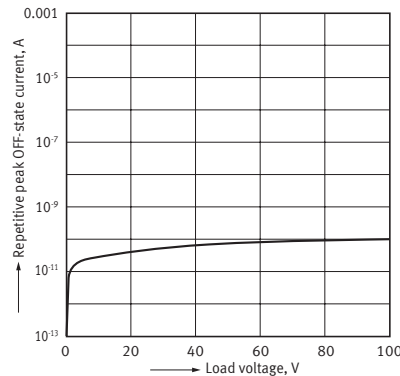
## 4.LED dropout voltage vs. ambient temperature characteristics



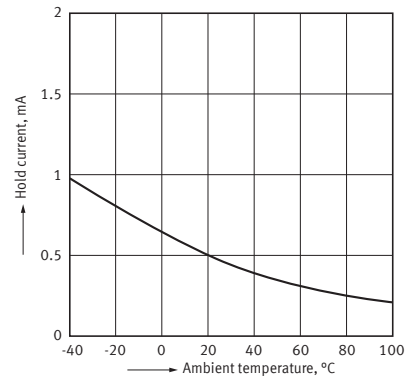
## 5.Turn on time vs. LED current characteristics



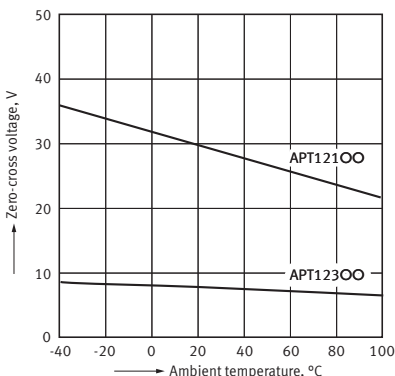
## 6.Repetitive peak OFF-state current vs. load voltage characteristics



## 7.Hold current vs. ambient temperature characteristics



## 8.Zero-cross voltage vs. ambient temperature characteristics



# Solid State Relays Phototriac Coupler

## DIMENSIONS

**CAD** The CAD data of the products with a "CAD" mark can be downloaded from our Website.

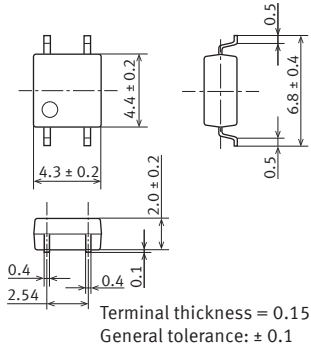
Unit: mm

### SOP Type

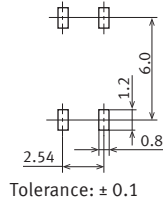
APT1211S, APT1221S, APT1231S

#### CAD

External dimensions



Recommended mounting pad  
(TOP VIEW)



### DIP4 Type

APT1211(A), APT1221(A), APT1231(A)

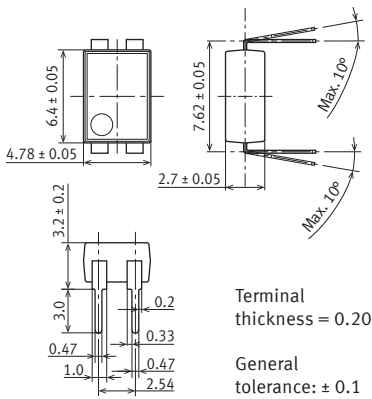
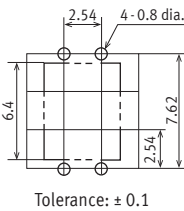
● Through hole terminal type

#### CAD

External dimensions



PC board pattern  
(BOTTOM VIEW)



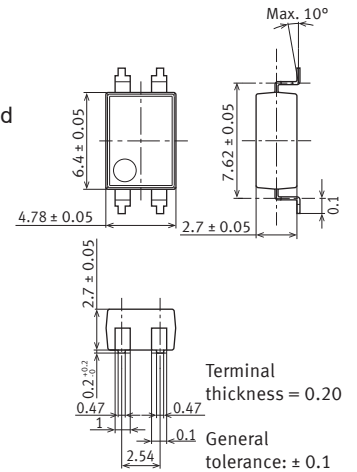
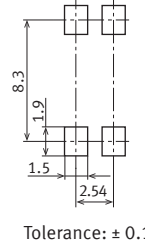
● Surface-mount terminal type

#### CAD

External dimensions



Recommended mounting pad  
(TOP VIEW)



### DIP6 Type

APT1212(A), APT1222(A), APT1232(A)

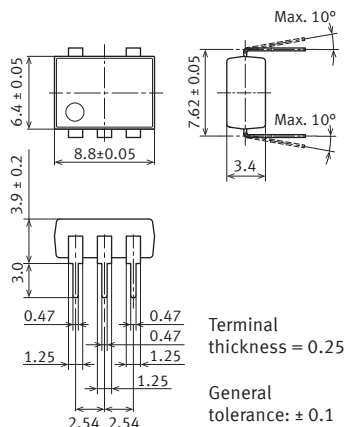
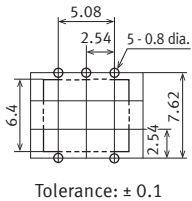
● Through hole terminal type

#### CAD

External dimensions



PC board pattern  
(BOTTOM VIEW)



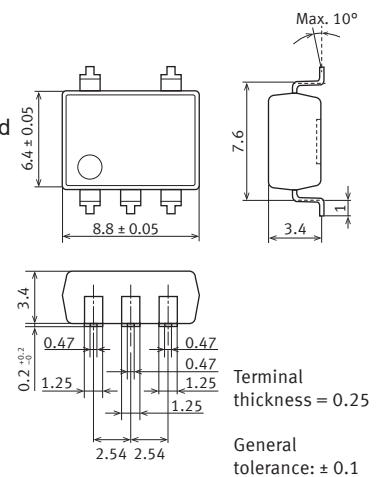
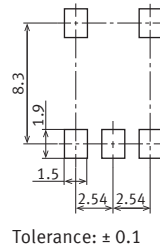
● Surface-mount terminal type

#### CAD

External dimensions



Recommended mounting pad  
(TOP VIEW)



**■ DIP6 Wide Terminal Type**

APT1212W(A), APT1222W(A), APT1232W(A)

● Through hole terminal type

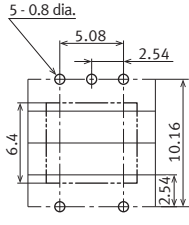
● Surface-mount terminal type

**CAD**

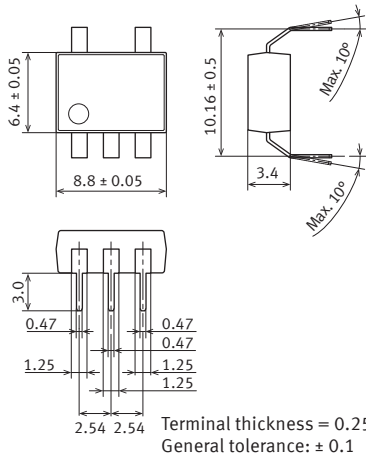
External dimensions



PC board pattern  
(BOTTOM VIEW)



Tolerance: ±0.1

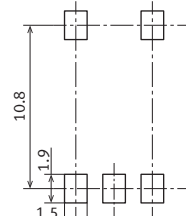


**CAD**

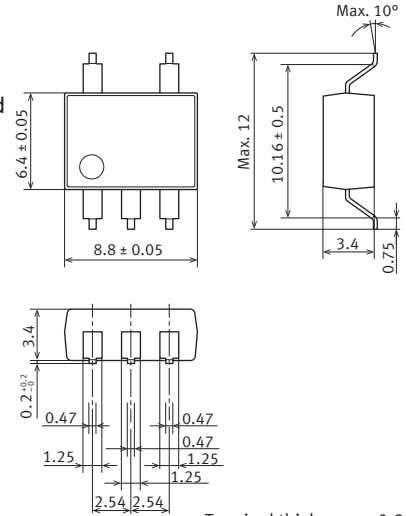
External dimensions



Recommended mounting pad  
(TOP VIEW)



Tolerance: ± 0.1



Terminal thickness = 0.25  
General tolerance: ± 0.1

**SCHEMATIC AND WIRING DIAGRAMS**

Schematic	Output configuration	Load	Wiring diagram
<p>Zero-cross circuit</p>	1 Form A	AC	<p>Power source at input side</p> <p>Load power supply</p>
			<p>Power source at input side</p> <p>Load power supply</p>
<p>Zero-cross circuit</p>			<p>Power source at input side</p> <p>Load power supply</p>
			<p>Power source at input side</p> <p>Load power supply</p>

Please refer to "the latest product specifications" when designing your product.

•Requests to customers:

<https://industrial.panasonic.com/ac/e/salespolicies/>

# Cautions for Use of Solid State Relays

## SAFETY WARNINGS

- Do not use the product under conditions that exceed the range of its specifications. It may cause overheating, smoke, or fire.
  - Do not touch the recharging unit while the power is on. There is a danger of electrical shock.
- Be sure to turn off the power when performing mounting, maintenance, or repair operations on the relay (including connecting parts such as the terminal socket and socket).

- Check the connection diagrams in the catalog and be sure to connect the terminals correctly.
- If the device is energized with short circuit or any wrong connection, it may cause unexpected malfunction, abnormal heat or fire.

## Cautions for Use of Solid State Relays

### 1. Derating design

Derating is a significant factor for reliable design and product life. Even if the conditions of use (temperature, current, voltage, etc.) of the product are within the absolute maximum ratings, reliability may be lowered remarkably when continuously used in high load conditions (high temperature, high humidity, high current, high voltage, etc.) Therefore, please derate sufficiently below the absolute maximum ratings and evaluate the device in the actual condition.

Moreover, regardless of the application, if malfunctioning can be expected to pose high risk to human life or to property, or if products are used in equipment otherwise requiring high operational safety, in addition to designing double circuits, that is, incorporating features such as a protection circuit or a redundant circuit, safety testing should also be carried out.

### 2. Applying stress that exceeds the absolute maximum rating

If the voltage or current value for any of the terminals exceeds the absolute maximum rating, internal elements will deteriorate because of the overvoltage or overcurrent. In extreme cases, wiring may melt, or silicon P/N junctions may be destroyed. Therefore, the circuit should be designed in such a way that the load never exceed the absolute maximum ratings, even momentarily.

### 3. Phototriac coupler

The phototriac coupler is designed solely to drive a triac. As a condition, the triac must be powered beforehand.

### 4. Unused terminals

#### 1) Phototriac coupler

The No. 3 terminal is used with the circuit inside the device. Therefore, do not connect it to the external circuitry. (6 pins)

#### 2) AQ-H

The No. 5 terminal is connected to the gate.

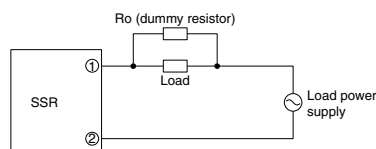
Do not directly connect No. 5 and 6 terminals.

### 5. Short across terminals

Do not short circuit between terminals when device is energized, since there is possibility of breaking of the internal IC.

### 6. When used for the load less than rated

An SSR may malfunction if it is used below the specified load. In such an event, use a dummy resistor in parallel with the load.



### Load Specifications

Type	Load current
AQ-G All models	20 mA
AQ1 All models	50 mA
AQ8 All models	50 mA
AQ-J All models	50 mA
AQ-A All models	100 mA

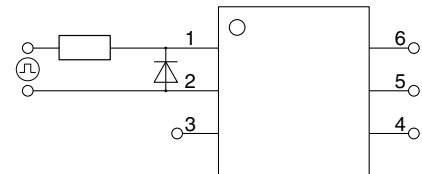
### 7. Noise and surge protection at the input side

#### 1) Phototriac coupler and AQ-H

If reverse surge voltages are present at the input terminals, connect a diode in reverse parallel across the input terminals and keep the reverse voltages below the reverse breakdown voltage.

Typical circuits are below shown.

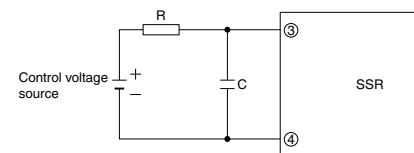
< Phototriac coupler (6-pin) >



#### 2) SSR

A high noise surge voltage applied to the SSR input circuit can cause malfunction or permanent damage to the device. If such a high surge is anticipated, use C or R noise absorber in the input circuit.

Typical circuits are below shown



### 8. Recommended input current of Phototriac coupler and AQ-H

Design in accordance with the recommended operating conditions for each product.

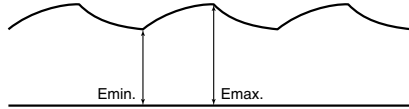
Since these conditions are affected by the operating environment, ensure conformance with all relevant specifications.

# Cautions for Use of Solid State Relays

## 9. Ripple in the input power supply

If ripple is present in the input power supply, observe the following:

- 1) Current-sensitive type (Phototriac Coupler, AQ-H)
  - (1) For LED forward current at Emin, please maintain the value mentioned at "Recommended input current."
  - (2) Please make sure the LED forward current for Emax. is no higher than 50 mA.
- 2) Voltage-sensitive type (AQ-G, AQ1, AQ8, AQ-J, AQ-A)
  - (1) The Emin. should exceed the minimum rated control voltage
  - (2) The Emax. should not exceed the maximum rated control voltage



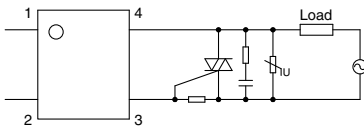
## 10. When the input terminals are connected with reverse polarity

Product name	If the polarity of the input control voltage is reversed
AQ1, AQ-J, AQ-A (AC)	Reversing the polarity will not cause damage to the device, due to the presence of a protection diode, but the device will not operate.
AQ-H, AQ-G, AQ8, AQ-A (DC)	Reversing the polarity may cause permanent damage to the device. Take special care to avoid polarity reversal or use a protection diode in the input circuit.

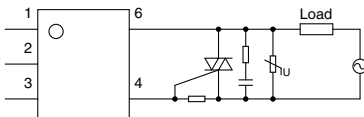
## 11. Noise and surge protection at the output side

1) Phototriac coupler and AQ-H  
The figure below shows an ordinary triac drive circuit. Please add a snubber circuit or varistor, as noise/surge on the load side could damage the unit or cause malfunctions. Typical circuits are shown below.

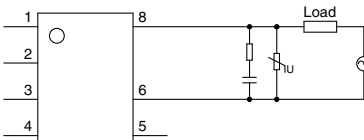
<Phototriac coupler SOP4 and DIP4 types>



<Phototriac coupler DIP6 type>



<AQ-H>

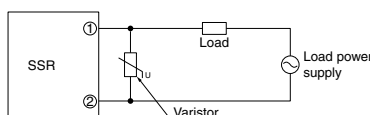


Note: Connection of an external resistor, etc., to terminal No. 5 (gate) is not necessary.

## 2) SSR

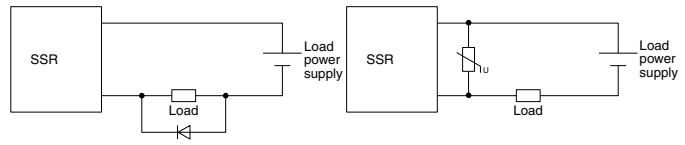
### (1) AC output type

A high noise surge voltage applied to the SSR load circuit can cause malfunction or permanent damage to the device. If such a high surge is anticipated, use a varistor across the SSR output.



### (2) DC output type

If an inductive load generates spike voltages which exceed the absolute maximum rating, the spike voltage must be limited. Typical circuits are shown below.



- 3) Clamp diode and snubber circuit can limit spike voltages at the load side. However, long wires may cause spike voltages due to inductance. It is recommended to keep wires as short as possible to minimize inductance.
- 4) Output terminals may become conductive although the input power is not applied, when a sudden voltage rise is applied to it even when the relay is off. This may occur even if voltage rise between terminals is less than the repetitive peak OFF-state voltage. Therefore, please perform sufficient tests with actual conditions.
- 5) When controlling loads in which the voltage and current phases differ, a sudden voltage rise is applied during turn-off, and the triac sometimes does not turn off. Please conduct sufficient tests using actual equipment.
- 6) When controlling loads using zero-cross voltage types in which the voltage and current phases differ, the triac sometimes does not turn on regardless of the input state, so please conduct sufficient tests using actual equipment.

## 12. Cleaning (for PC board mounting type)

Cleaning the solder flux should use the immersion washing with an organic solvent. If you have to use ultrasonic cleaning, please adopt the following conditions and check that there are no problems in the actual usage.

- Frequency: 27 to 29kHz
- Ultrasonic output: No greater than 0.25W/cm<sup>2</sup> (Note)
- Cleaning time: 30s or less
- Cleanser used: Asahiklin AK-225
- Others: Float PC board and the device in the cleaning solvent to prevent from contacting the ultrasonic vibrator.

Note: Applies to unit area ultrasonic output for ultrasonic baths

## 13. Notes for mounting (for PC board mounting type)

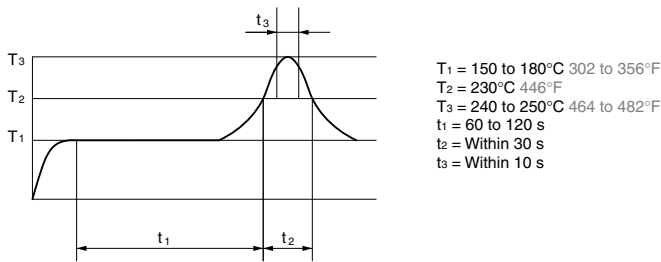
- 1) When different kinds of packages are mounted on PC board, temperature rise at soldering lead is highly dependent on package size. Therefore, please set the lower temperature soldering condition than the conditions of item "14. Soldering", and confirm the temperature condition of actual usage before soldering.
- 2) When mounting condition exceeds our recommendation, the device characteristics may be adversely affected. It may occur package crack or bonding wire breaking because of thermal expansion unconformity and resin strength reduction. Please contact our sales office about the propriety of the condition.
- 3) Please confirm the heat stress by using actual board because it may be changed by board condition or manufacturing process condition
- 4) Solder creepage, wettability, or soldering strength will be affected by the mounting condition or used soldering type. Please check them under the actual production condition in detail.
- 5) Please apply coating when the device returns to a room temperature.

## 14. Soldering

1) When soldering surface-mount terminals, the following conditions are recommended.

(1) IR (Infrared reflow) soldering method

(Recommended condition reflow: Max. 2 times, measurement point: soldering lead)



(2) Other soldering methods

Other soldering methods (VPS, hot-air, hot plate, laser heating, pulse heater, etc.) affect the relay characteristics differently, please evaluate the device under the actual usage.

(3) Soldering iron method

Tip temperature: 350 to 400°C 662 to 752°F

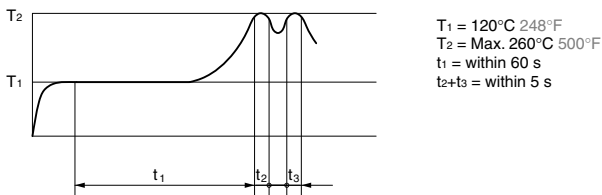
Wattage: 30 to 60 W

Soldering time: within 3 s

2) When soldering standard PC board terminals, the following conditions are recommended.

(1) DWS soldering method

(Recommended condition number of times: Max. 1 time, measurement point: soldering lead \*1)



\*1 Solder temperature: Max. 260°C 500°F

(2) Other dip soldering method (recommended condition: 1 time)

Preheating: Max. 120°C 248°F, within 120 s, measurement

point: soldering lead

Soldering: Max. 260°C 500°F, within 5 s\*, measurement area: soldering temperature

\*Phototriac coupler and AQ-H: within 10 s

(3) Manual soldering method

Tip temperature: 350 to 400°C 662 to 752°F

Wattage: 30 to 60 W

Soldering time: within 3 s

- We recommend one with an alloy composition of Sn3.0Ag0.5Cu.

## 15. Others

1) If an SSR is used in close proximity to another SSR or heat-generating device, its ambient temperature may exceed the allowable level. Carefully plan SSR layout and ventilation.

2) Terminal connections should be made by referring to the associated wiring diagram.

3) For higher reliability, check device quality under actual operating conditions.

4) To prevent the danger of electrocution, turn off the power supply when performing maintenance. Although AQ-A (DC output type) is constructed with insulation for the input/output terminals and the rear aluminum plate, the insulation between the input/output and the rear aluminum plate is not UL approved.

## 16. Transportation and storage

1) Extreme vibration during transport may deform the lead or damage the device characteristics. Please handle the outer and inner boxes with care.

2) Inadequate storage condition may degrade soldering, appearance, and characteristics. The following storage conditions are recommended:

- Temperature: 0 to 45°C 32 to 113°F

- Humidity: Max. 70%RH

- Atmosphere: No harmful gasses such as sulfurous acid gas, minimal dust.

3) Storage of Phototriac coupler (SOP type)

In case the heat stress of soldering is applied to the device which absorbs moisture inside of its package, the evaporation of the moisture increases the pressure inside the package and it may cause the package blister or crack. This device is sensitive to moisture and it is packed in the sealed moisture-proof package. Please make sure the following condition after unsealing.

- Please use the device immediately after unsealing.

(Within 30 days at 0 to 45°C 32 to 113°F and Max. 70%RH)

- If the device will be kept for a long time after unsealing, please store in the another moisture-proof package containing silica gel. (Please use within 90 days.)

## 17. Water condensation

Water condensation occurs when the ambient temperature changes suddenly from a high temperature to low temperature at high humidity, or the device is suddenly transferred from a low ambient temperature to a high temperature and humidity. Condensation causes the failures such as insulation deterioration. Panasonic Corporation does not guarantee the failures caused by water condensation.

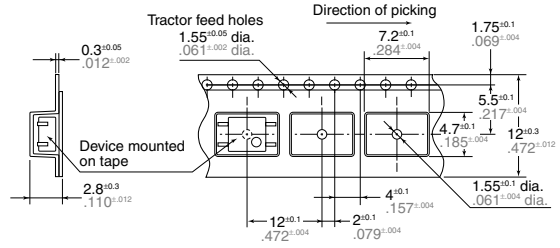
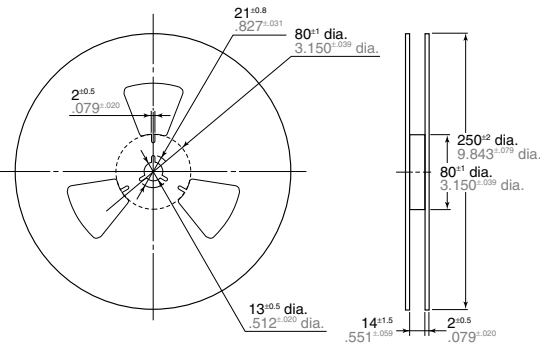
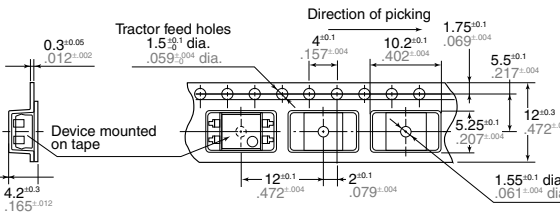
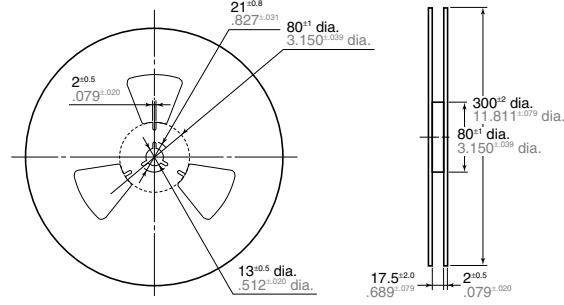
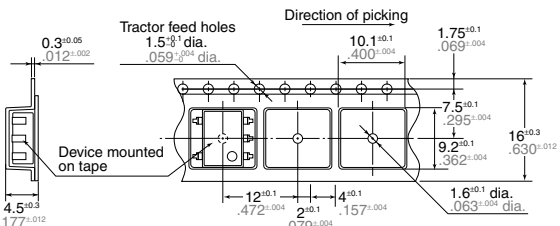
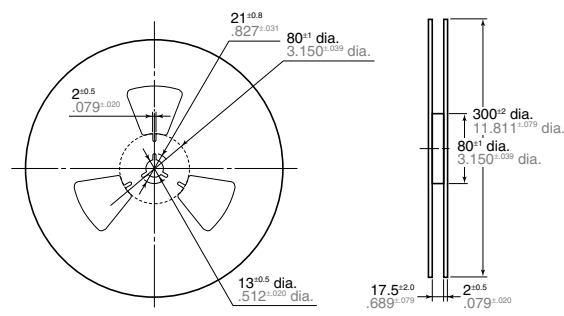
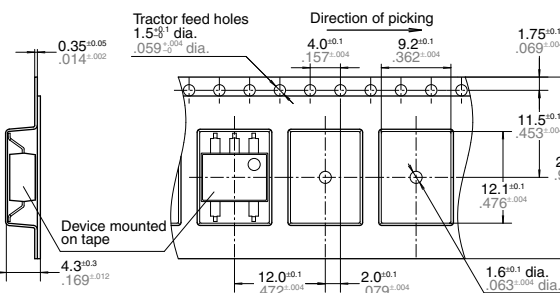
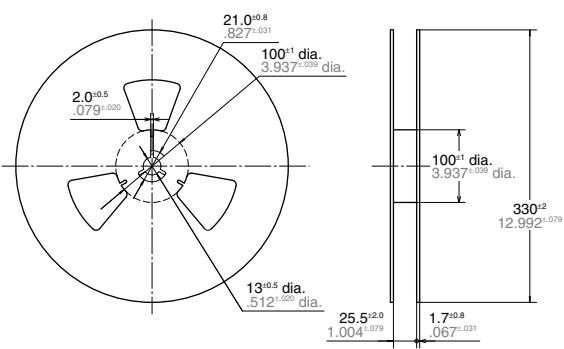
The heat conduction by the equipment the SSR is mounted may accelerate the water condensation. Please confirm that there is no condensation in the worst condition of the actual usage.

(Special attention should be paid when high temperature heating parts are close to the SSR.)

# Cautions for Use of Solid State Relays

## 18. The following shows the packaging format

### 1) Tape and reel (Phototriac coupler)

Type	Tape dimensions (Unit: mm inch)	Dimensions of paper tape reel (Unit: mm inch)
SO package 4-pin type	 <p>Tractor feed holes 1.55<sup>+0.05</sup> dia. .061<sup>-0.002</sup> dia.</p> <p>Direction of picking</p> <p>Device mounted on tape</p> <p>Dimensions: 0.3<sup>+0.05</sup> .012<sup>-0.002</sup>, 2.8<sup>+0.3</sup> .110<sup>-0.012</sup>, 12.0<sup>+0.1</sup> .472<sup>-0.004</sup>, 2.0<sup>+0.1</sup> .079<sup>-0.004</sup>, 4.0<sup>+0.1</sup> .157<sup>-0.004</sup>, 7.2<sup>+0.1</sup> .284<sup>-0.004</sup>, 1.75<sup>+0.1</sup> .069<sup>-0.004</sup>, 5.5<sup>+0.1</sup> .217<sup>-0.004</sup>, 4.7<sup>+0.1</sup> .185<sup>-0.004</sup>, 12.0<sup>+0.3</sup> .472<sup>-0.012</sup>, 1.55<sup>+0.1</sup> dia. .061<sup>-0.001</sup> dia.</p>	 <p>21<sup>+0.8</sup> .827<sup>-0.031</sup> 80<sup>+1</sup> dia. 3.150<sup>+0.039</sup> dia.</p> <p>2.0<sup>+0.5</sup> .079<sup>-0.020</sup></p> <p>13<sup>+0.5</sup> dia. .512<sup>-0.020</sup> dia.</p> <p>14<sup>+1.5</sup> .551<sup>-0.059</sup> 250<sup>+2</sup> dia. 9.843<sup>+0.079</sup> dia. 80<sup>+1</sup> dia. 3.150<sup>+0.039</sup> dia.</p> <p>2.0<sup>+0.5</sup> .079<sup>-0.020</sup></p>
DIP 4-pin type	 <p>Tractor feed holes 1.5<sup>+0.05</sup> dia. .059<sup>-0.004</sup> dia.</p> <p>Direction of picking</p> <p>Device mounted on tape</p> <p>Dimensions: 0.3<sup>+0.05</sup> .012<sup>-0.002</sup>, 4.2<sup>+0.3</sup> .165<sup>-0.012</sup>, 12.0<sup>+0.1</sup> .472<sup>-0.004</sup>, 2.0<sup>+0.1</sup> .079<sup>-0.004</sup>, 4.0<sup>+0.1</sup> .157<sup>-0.004</sup>, 10.2<sup>+0.1</sup> .402<sup>-0.004</sup>, 1.75<sup>+0.1</sup> .069<sup>-0.004</sup>, 5.5<sup>+0.1</sup> .217<sup>-0.004</sup>, 5.25<sup>+0.1</sup> .207<sup>-0.004</sup>, 12.0<sup>+0.3</sup> .472<sup>-0.012</sup>, 1.55<sup>+0.1</sup> dia. .061<sup>-0.004</sup> dia.</p>	 <p>21<sup>+0.8</sup> .827<sup>-0.031</sup> 80<sup>+1</sup> dia. 3.150<sup>+0.039</sup> dia.</p> <p>2.0<sup>+0.5</sup> .079<sup>-0.020</sup></p> <p>13<sup>+0.5</sup> dia. .512<sup>-0.020</sup> dia.</p> <p>17.5<sup>+2.0</sup> .689<sup>-0.079</sup> 300<sup>+2</sup> dia. 11.811<sup>+0.079</sup> dia. 80<sup>+1</sup> dia. 3.150<sup>+0.039</sup> dia.</p> <p>2.0<sup>+0.5</sup> .079<sup>-0.020</sup></p>
DIP 6-pin type	 <p>Tractor feed holes 1.5<sup>+0.05</sup> dia. .059<sup>-0.004</sup> dia.</p> <p>Direction of picking</p> <p>Device mounted on tape</p> <p>Dimensions: 0.3<sup>+0.05</sup> .012<sup>-0.002</sup>, 4.5<sup>+0.3</sup> .177<sup>-0.012</sup>, 12.0<sup>+0.1</sup> .472<sup>-0.004</sup>, 2.0<sup>+0.1</sup> .079<sup>-0.004</sup>, 4.0<sup>+0.1</sup> .157<sup>-0.004</sup>, 10.1<sup>+0.1</sup> .400<sup>-0.004</sup>, 1.75<sup>+0.1</sup> .069<sup>-0.004</sup>, 7.5<sup>+0.1</sup> .205<sup>-0.004</sup>, 9.2<sup>+0.1</sup> .362<sup>-0.004</sup>, 16<sup>+0.3</sup> .630<sup>-0.012</sup>, 1.6<sup>+0.1</sup> dia. .063<sup>-0.004</sup> dia.</p>	 <p>21<sup>+0.8</sup> .827<sup>-0.031</sup> 80<sup>+1</sup> dia. 3.150<sup>+0.039</sup> dia.</p> <p>2.0<sup>+0.5</sup> .079<sup>-0.020</sup></p> <p>13<sup>+0.5</sup> dia. .512<sup>-0.020</sup> dia.</p> <p>17.5<sup>+2.0</sup> .689<sup>-0.079</sup> 300<sup>+2</sup> dia. 11.811<sup>+0.079</sup> dia. 80<sup>+1</sup> dia. 3.150<sup>+0.039</sup> dia.</p> <p>2.0<sup>+0.5</sup> .079<sup>-0.020</sup></p>
DIP 6-pin wide terminal type	 <p>Tractor feed holes 1.5<sup>+0.05</sup> dia. .059<sup>-0.004</sup> dia.</p> <p>Direction of picking</p> <p>Device mounted on tape</p> <p>Dimensions: 0.35<sup>+0.05</sup> .014<sup>-0.002</sup>, 4.3<sup>+0.3</sup> .169<sup>-0.012</sup>, 12.0<sup>+0.1</sup> .472<sup>-0.004</sup>, 2.0<sup>+0.1</sup> .079<sup>-0.004</sup>, 4.0<sup>+0.1</sup> .157<sup>-0.004</sup>, 9.2<sup>+0.1</sup> .362<sup>-0.004</sup>, 1.75<sup>+0.1</sup> .069<sup>-0.004</sup>, 11.5<sup>+0.1</sup> .453<sup>-0.004</sup>, 24.0<sup>+0.3</sup> .945<sup>-0.012</sup>, 12.1<sup>+0.1</sup> .476<sup>-0.004</sup>, 1.6<sup>+0.1</sup> dia. .063<sup>-0.004</sup> dia.</p>	 <p>21.0<sup>+0.8</sup> .827<sup>-0.031</sup> 100<sup>+1</sup> dia. 3.937<sup>+0.031</sup> dia.</p> <p>2.0<sup>+0.5</sup> .079<sup>-0.020</sup></p> <p>13<sup>+0.5</sup> dia. .512<sup>-0.020</sup> dia.</p> <p>25.5<sup>+2.0</sup> 1.004<sup>-0.079</sup> 330<sup>+2</sup> 12.992<sup>+0.079</sup> 100<sup>+1</sup> dia. 3.937<sup>+0.031</sup> dia.</p> <p>1.7<sup>+0.8</sup> .067<sup>-0.031</sup></p>

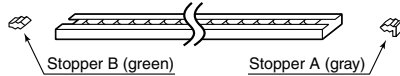
## 2) Tape and reel (AQ-H)

Type	Tape dimensions (Unit: mm inch)	Dimensions of paper tape reel (Unit: mm inch)
8-pin SMD type	<p>(1) When picked from 1/2/3/4-pin side: Part No. AQH○○○○AX (Shown above)                  (2) When picked from 5/6/8-pin side: Part No. AQH○○○○AZ</p>	

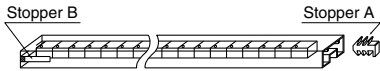
## 3) Tube

Phototriac coupler and AQ-H SSR are packaged in a tube as pin No. 1 is on the stopper B side. Observe correct orientation when mounting them on PC boards.

<Phototriac coupler SOP type>



<Phototriac coupler DIP type and AQ-H SSR>



## Snubber Circuit

### 1. Reduce dv/dt

An SSR used with an inductive load can accidentally fire due to a high load voltage rise rate (dv/dt), even though the load voltage is below the allowable level (inductive load firing). Our SSRs contain a snubber circuit designed to reduce dv/dt (except AQ-H).

### 2. Selecting the snubber constants

#### 1) C selection

The charging coefficient tau for C of the SSR circuit is shown in formula ①

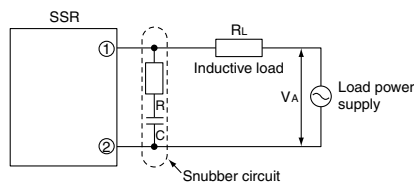
$$\tau = (R_L + R) \times C \text{ ----- ①}$$

By setting formula ① so that it is below dv/dt value you have:

$$C = 0.632 V_A / [(dv/dt) \times (R_L + R)] \text{ ----- ②}$$

By setting C = 0.1 to 0.2 μF, dv/dt can be controlled to between nV/μs and n+V/μs or lower. For the condenser, use either an MP condenser metallized polyester film. For the 100 V line, use a voltage between 250 and 400 V, and for the 200 V line, use a voltage between 400 and 600 V.

#### 2) R selection



If there is no resistance R (the resistance R controls the discharge current from condenser C), at turn-on of the SSR, there will be a sharp rise in dv/dt and the high peak value discharge current will begin to flow. This may cause damage to the internal elements of the SSR. Therefore, it is always necessary to insert a resistance R. In normal applications, for the 100 V line, have R = 10 to 100 Ω and for the 200 V line, have R = 20 to 100 Ω. (The allowable discharge current at turn on will differ depending on the internal elements of the SSR.) The power loss from R, written as P, is shown in formula ③ below. For the 100 V line, use a power of 1/2 W, and for the 200 V line, use a power above 2 W.

$$P = \frac{C \times V_A^2 \times f}{2} \text{ ----- ③}$$

f = Power supply frequency

Also, at turn-off of the SSR, a ringing circuit is formed with the capacitor C and the circuit inductance L, and a spike voltage is generated at both terminals of the SSR. The resistance R serves as a control resistance to prevent this ringing. Moreover, a good non-inductive resistance for R is required. Carbon film resistors or metal film resistors are often used.

For general applications, the recommended values are C = 0.1 μF and R = 20 to 100 Ω. There are cases of resonance in the inductive load, so the appropriate care must be taken when making your selections.

## Thermal Design

SSRs used in high-reliability equipment require careful thermal design. In particular, junction temperature control has a significant effect on device function and life time. The rated load current for PC board-mounting SSRs is defined as the maximum current allowable at an ambient temperature of 40°C 104°F (30°C 86°F) and under natural cooling. If the ambient temperature exceeds the SSRs derating temperature point [40°C 104°F (30°C 86°F)], load current derating in accordance with the load current vs temperature diagram becomes necessary.

If adjacent devices act as heat sources, the SSR should be located more than 10 mm away from those devices.

SSRs with a 5 A rating or more must be used with the dedicated heat sinks listed in Table 1 or equivalents. To ensure adequate thermal conduction, apply thermal conductive compound (Ex. Momentive Performance Materials Inc. YG6111 or TSK5303) to the SSR's mounting surface.

For information on external heat sinks for our SSRs and their mounting method, refer to "Data and Cautions for Use of respective relay".

**Table 1 Dedicated on-board heat sinks**

Type	Heat sink	Load current
AQ10A2-ZT4/32VDC	AQ-HS-5A	10A
AQ-J (10A)	AQP-HS-SJ10A*	10A
	AQP-HS-J10A	
	AQP-HS-SJ20A*	
AQ-J (15A)	AQP-HS-SJ10A*	15A
	AQP-HS-J10A	
	AQP-HS-SJ20A*	
AQ-J (25A)	AQP-HS-SJ10A*	20A
	AQP-HS-J10A	
	AQP-HS-SJ20A*	
	AQP-HS-J25A	
AQ-A (15A)	AQP-HS-J10A	15A
	AQP-HS-SJ20A*	
AQ-A (25A)	AQP-HS-30/40A	25A
	AQP-HS-J10A	
	AQP-HS-SJ20A*	
AQ-A (40A)	AQP-HS-J10A	30A
	AQP-HS-SJ20A*	
	AQP-HS-30/40A	40A
	AQP-HS-J25A	
AQ-A DC (10A)	AQP-HS-SJ20A*	8A
	AQP-HS-J25A	10A
AQ-A DC (30A)	AQP-HS-SJ20A*	30A

\*It is possible to mounting on the DIN rail

## Protection Circuit

High-reliability SSR circuits require an adequate protection circuit, as well as careful study of the characteristics and maximum ratings of the device.

### 1. Over-Voltage Protection

The SSR load power supply requires adequate protection against over-voltage errors from various causes. The methods of over-voltage protection include the following:

1) Use devices with a guaranteed reverse surge withstand voltage

(controlled avalanche devices, etc.)

2) Suppress transient spikes

Use a switching device in the secondary circuit of a transformer or use a switch with a slow opening speed.

3) Use a surge absorption circuit

Use a CR surge absorber or varistor across the load power supply or SSR.

Special care must be taken so power on/off surges or external surges do not exceed the device's rated load voltage. If a surge voltage exceeding the device's rated voltage is anticipated, use a surge absorption device and circuit (e.g. a ZNR from Panasonic Corporation).

### Choosing the rated voltage of the ZNR

(1) Peak supply voltage

(2) Supply voltage variation

(3) Degradation of ZNR characteristic (1 mA±10%)

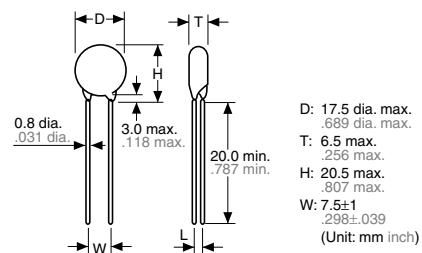
(4) Tolerance of rated voltage (±10%)

For application to 100 V AC lines, choose a ZNR with the following rated voltage:

$$(1) \times (2) \times (3) \times (4) = (100 \times \sqrt{2}) \times 1.1 \times 1.1 \times 1.1 = 188 \text{ (V)}$$

### Example of ZNR (Panasonic)

Types	Varistor voltage V1mA (V)	Max. allowable circuit voltage		Max. control voltage V50A (V)	Max. average pulse electric power (W)	Withstanding energy		Withstanding surge current		Electrostatic capacitance (Reference) @ 1KHz (pF)
		ACrms (V)	DC (V)			(10/1000μs) (J)	(2ms) (J)	1time (A)	(8/20μs) 2time (A)	
ERZV14D201	200 (185 to 225)	130	170	340	0.6	70	50	6,000	5,000	770
ERZV14D221	220 (198 to 242)	140	180	360	0.6	78	55	6,000	5,000	740
ERZV14D241	240 (216 to 264)	150	200	395	0.6	84	60	6,000	5,000	700
ERZV14D271	270 (247 to 303)	175	225	455	0.6	99	70	6,000	5,000	640
ERZV14D361	360 (324 to 396)	230	300	595	0.6	130	90	6,000	4,500	540
ERZV14D391	390 (351 to 429)	250	320	650	0.6	140	100	6,000	4,500	500
ERZV14D431	430 (387 to 473)	275	350	710	0.6	155	110	6,000	4,500	450
ERZV14D471	470 (423 to 517)	300	385	775	0.6	175	125	6,000	4,500	400
ERZV14D621	620 (558 to 682)	385	505	1,025	0.6	190	136	5,000	4,500	330
ERZV14D681	680 (612 to 748)	420	560	1,120	0.6	190	136	5,000	4,500	320



## 2. Over-Current Protection

An SSR circuit operated without overcurrent protection may result in damage to the device. Design the circuit so the device's rated junction temperature is not exceeded for a continuous overload current.

(e.g. Surge current into a motor or light bulb)

The surge-on current rating applies to over-current errors which occur less than several tens of times during the service life of a semiconductor device. A protection coordination device is required for this rating.

Methods of over-current protection include the following:

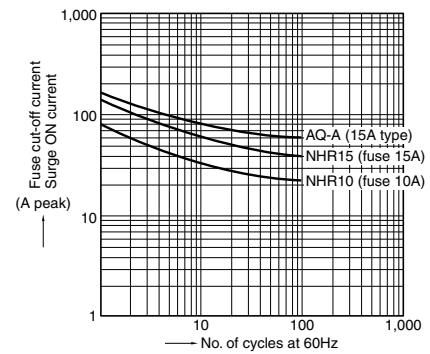
1) Suppressing over-currents

Use a current limiting reactor in series with the load power supply.

2) Use a current shut-off device

Use a current limiting fuse or circuit breaker in series with the load power supply.

Example of executing fuse selection of over-current protection cooperation



## Load Type Description

### 1. Heaters (Resistive load)

The SSR is best suited to resistive loads. Noise levels can be drastically lowered with zero-crossing switching.

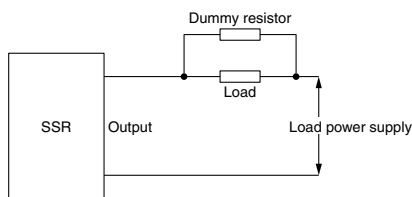
### 2. Lamps

Tungsten or halogen lamps draw a high inrush current when turned on (approximately 7 to 8 times the steady state current for zero-crossing SSRs; approximately 9 to 12 times, in the worst case, for random type SSRs). Choose an SSR so the peak of the inrush current does not exceed 50% of the SSR surgeon current.

### 3. Solenoids

AC-driven solenoid contactors or solenoid valves also draw inrush current when they are activated. Choose an SSR such that the peak of the inrush current does not exceed 50% of the SSR surgeon current. For small solenoid valves and AC relays in particular, a leakage current may cause the load to malfunction after the SSR turns off. In such an event, use a dummy resistor in parallel with the load.

- Using an SSR below the specified load



### 4. Motors load

When starting, an electric motor draws a symmetrical AC starting current some 5 to 8 times the steady-state load current, superimposed on a DC current. The starting time during which this high starting current is sustained depends on the capacities of the load and load power supply. Measure the starting current and time under the motor's actual operating conditions and choose an SSR so the peak of the starting current does not exceed 50% of the SSR surge-on current.

When the motor load is deactivated, a voltage exceeding the load supply voltage is applied to the SSR due to counter-EMF. This voltage is approximately 1.3 times the load supply voltage for induction motors, and approximately 2 times that for synchronous motors.

- Reversible motor control

When the direction of motor rotation is reversed, the transient current and time required for the reversal far exceed those required for simple starting. The reversing current and time should also be measured under actual operating conditions. For a capacitor-starting, single-phase induction motor, a capacitive discharge current appears during the reversal process. Be sure to use a current limiting resistor or reactor in series with the SSR.

Also, the SSR should have a high marginal voltage rating, since a voltage twice as high as the load supply voltage develops across the SSR in the reversal process.

For reversible motor control, carefully design the driver circuit so the forward and reverse SSRs do not turn on at the same time.

### 5. Capacitive load

A capacitive load (switching regulator, etc.) draws an inrush current to charge the load capacitor when the SSR turns on. Choose an SSR so the peak of the inrush current does not exceed 50% of the SSR surge-on current. A timing error of up to one cycle can occur when a switch used in series with the SSR is opened or closed. If this is a problem, use an inductor (200 to 500  $\mu$ H) in series to the SSR to suppress dv/dt error.

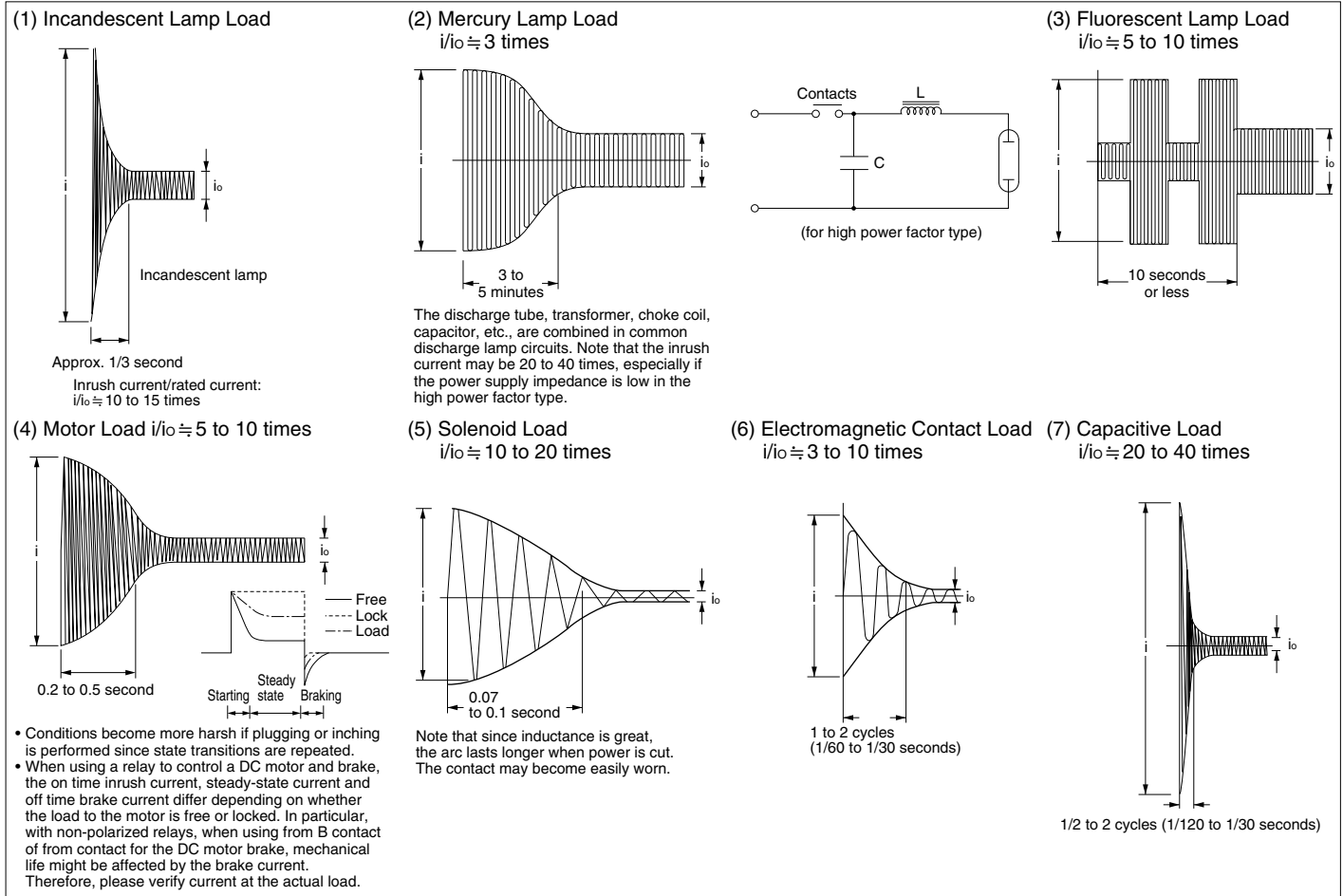
### 6. Other electronic equipment

In general, electronic equipment uses line filters in the primary supply circuit.

The capacitors used in the line filters may cause the SSR to malfunction due to dv/dt turn on when the equipment is turned on or off. In such an event, use an inductor (200 to 500  $\mu$ H) in series with the SSR to suppress dv/dt turn on.

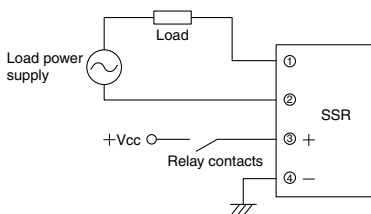
# Cautions for Use of Solid State Relays

## Load Inrush Current Wave and Time

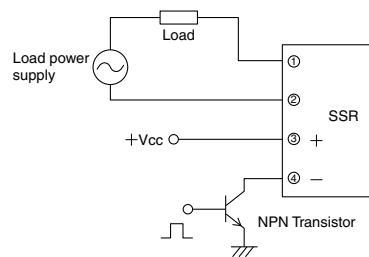


## SSR Driving Circuits

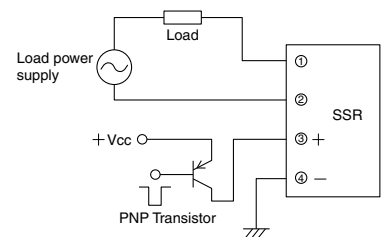
### 1. Relay Driver



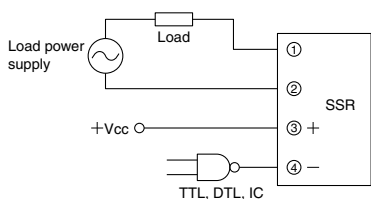
### 2. NPN Transistor Driver



### 3. PNP Transistor Driver

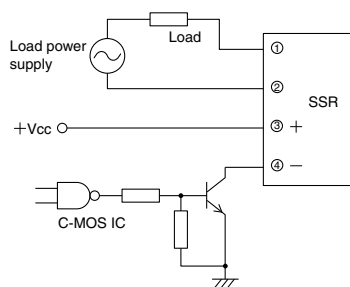


### 4. TTL/DTL/IC Driver

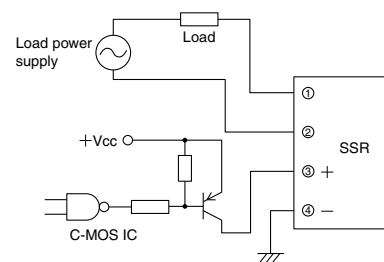


### 5. C-MOS/IC Driver

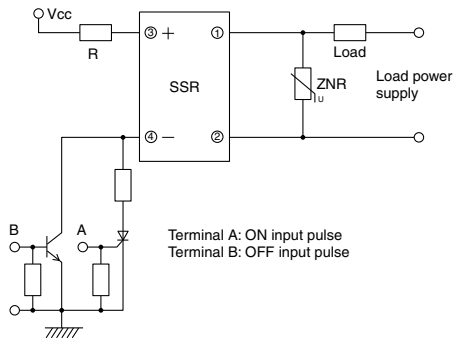
#### (1) SSR fires when IC output is HIGH:



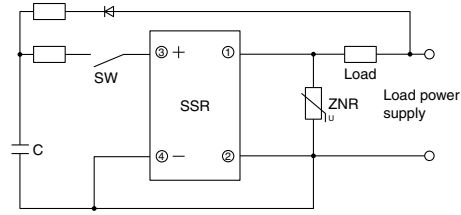
#### (2) SSR fires when IC output is LOW:



## 6. Self Sustaining Circuit Using SSR



## 7. Driving with a Shared Supply

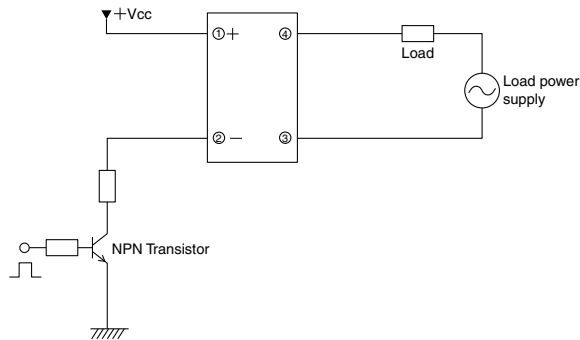


## Phototriac Coupler, AQ-H Solid State Relay Driving Circuits

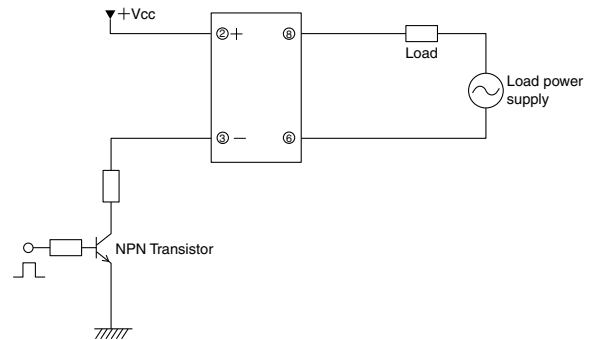
\*Phototriac coupler and AQ-H is current driving type

### 1. NPN Transistor Driver

#### (1) Phototriac Coupler



#### (2) AQ-H Solid State Relay



---

Please contact .....

**Panasonic Corporation**

Electromechanical Control Business Division



■1006, Oaza Kadoma, Kadoma-shi, Osaka 571-8506, Japan  
[industrial.panasonic.com/ac/e/](http://industrial.panasonic.com/ac/e/)

**Panasonic**<sup>®</sup>

©Panasonic Corporation 2019

## Looking for pricing, stock, or lifecycle information?

Click below to explore more details on WIN SOURCE:

-  [View APT1212 on WIN SOURCE](#)
-  [Panasonic Information](#)

## Optimize Your Supply Chain with WIN SOURCE Solutions

-  Global Sourcing Solution
-  Obsolete Management
-  Cost Control Management
-  Shortage Management
-  Alternative Solution
-  Excess Inventory Management