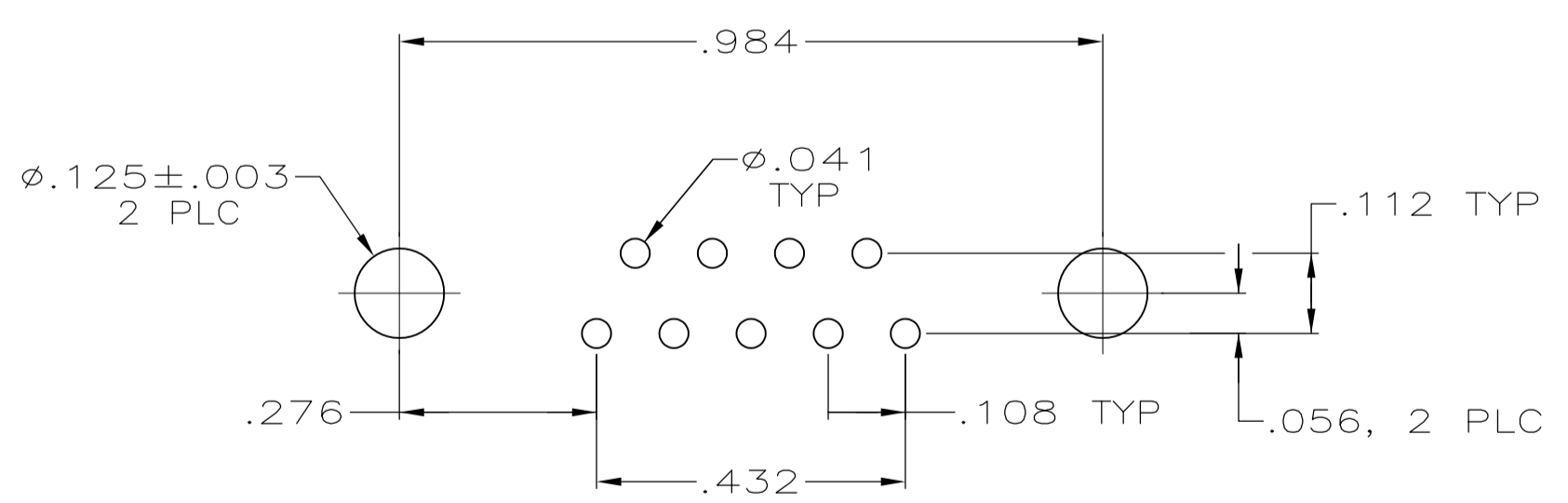
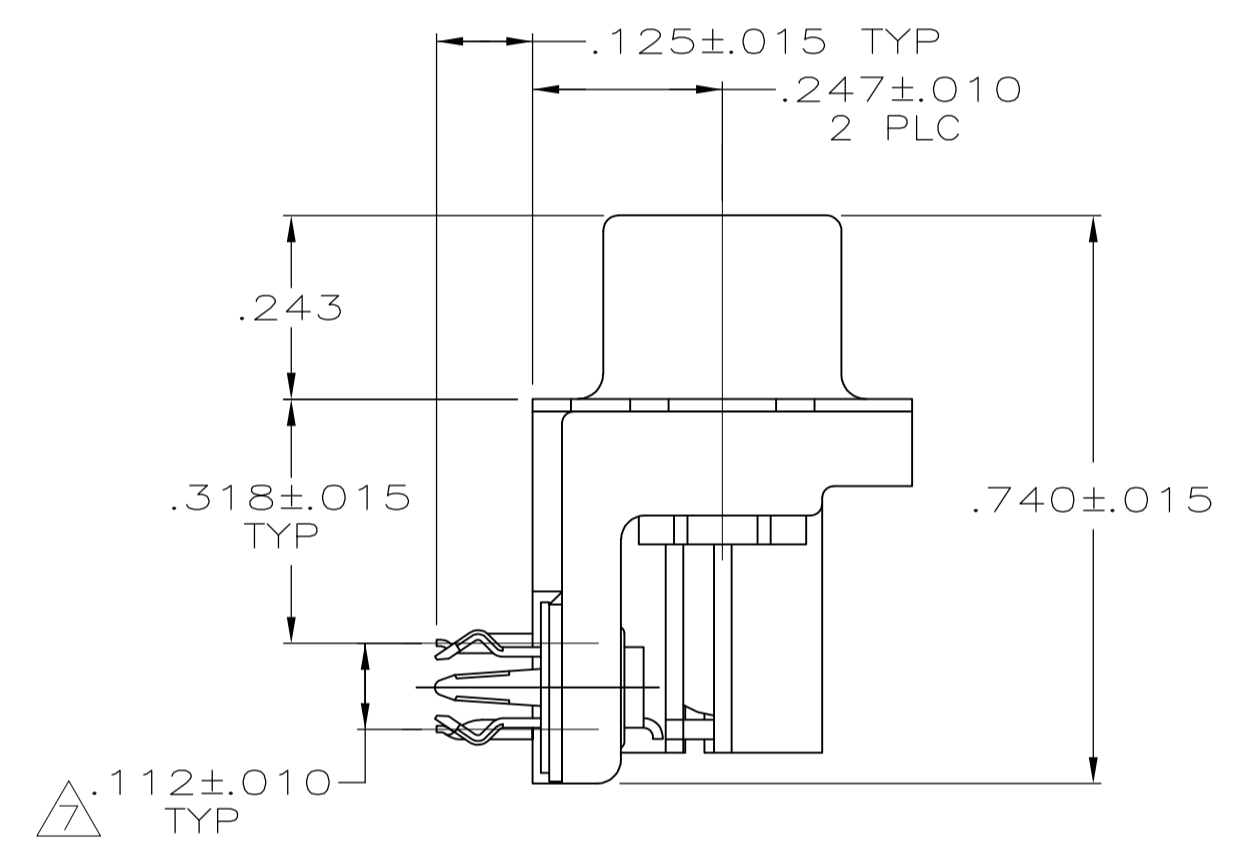
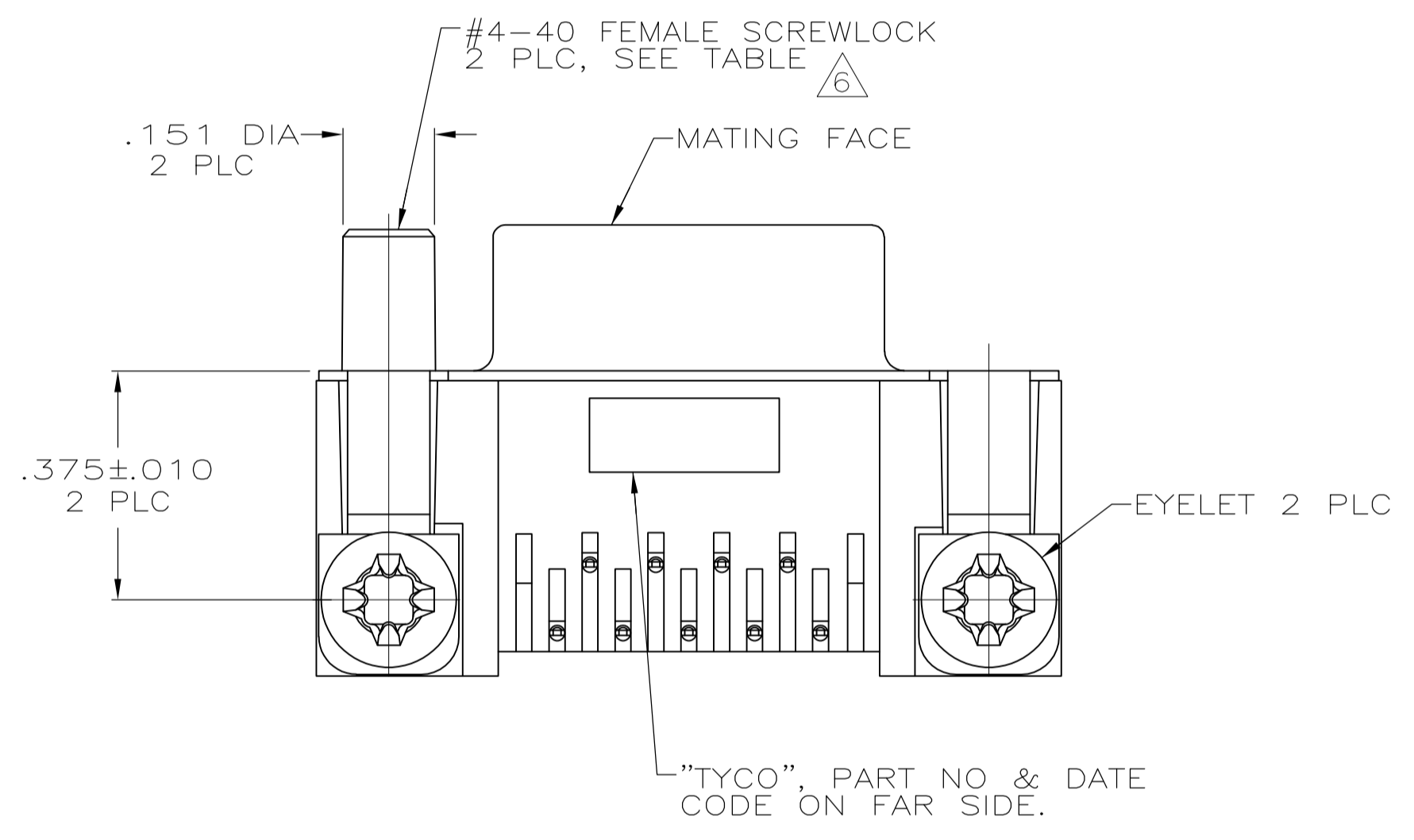
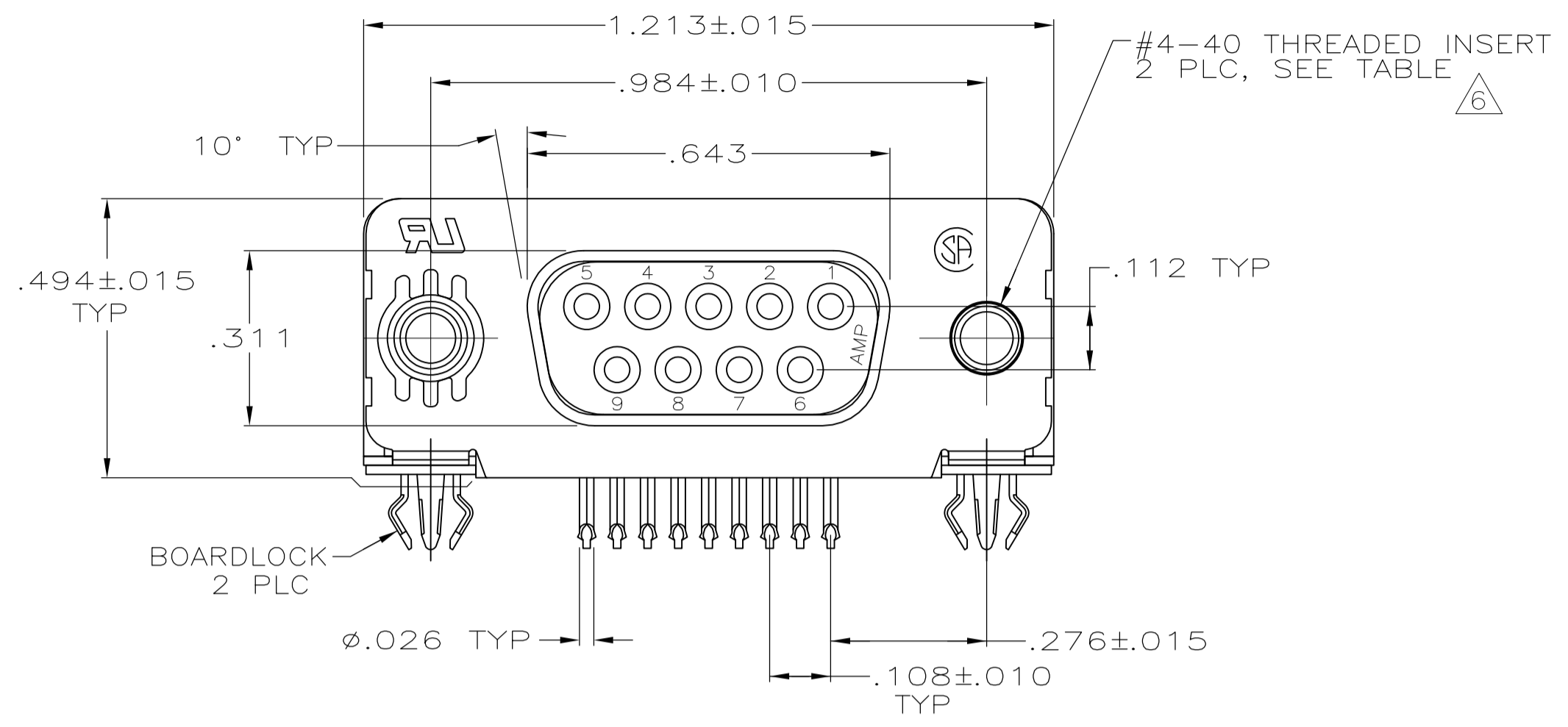




THE DATASHEET OF
5747844-3





PC BOARD MOUNTING DIMENSIONS

1. CONNECTOR MATES WITH ANY 9 POSN PLUG IN AMPLIMITE SERIES.
- (2) MOLDED PARTS: FLAME RETARDANT 94V-0 RATED THERMOPLASTIC, BLACK.
SHELL: STEEL PER ASTM A109
CONTACTS: PHOSPHOR BRONZE PER QQ-B-750
EYELETS: BRASS
SCREWLOCKS: ZINC
INSERTS: ZINC
BOARDLOCKS: COPPER ALLOY
- (3) SHELL: .000100 MIN TIN
CONTACTS: SEE TABLE
EYELETS: TIN
SCREWLOCKS: CLEAR CHROMATE
BOARDLOCKS: TIN.
INSERTS: CLEAR CHROMATE
- (4) GOLD FLASH FOR A DISTANCE OF .100 MIN FROM MATING END, .000100-.000200 TIN ON TERMINATION END, ALL OVER .000050 NICKEL ON ENTIRE CONTACT.
- (5) .000030 GOLD FOR A DISTANCE OF .100 MIN FROM MATING END, .000100-.000200 TIN ON TERMINATION END, ALL OVER .000050 NICKEL ON ENTIRE CONTACT.
- (6) SCREWLOCKS & INSERTS WILL WITHSTAND 4 IN LBS TORQUE & 20 LBS PULL OUT FORCE FROM MATING FACE SIDE.
- (7) DIMENSION APPLIES TO CENTER LINE OF CONTACTS.

-	FEMALE SCREWLOCKS	(5)	5747844-6																														
-	FEMALE SCREWLOCKS	(4)	5747844-5																														
TRAY	THREADED INSERTS	(5)	5747844-4																														
-	THREADED INSERTS	(4)	5747844-3																														
-	.125 DIA HOLES	(5)	5747844-2																														
PACKAGING	MOUNTING HARDWARE	CONTACT FINISH	PART NUMBER																														
THIS DRAWING IS A CONTROLLED DOCUMENT.		<table border="1"> <tr> <td>DIN</td> <td>18MAR205</td> </tr> <tr> <td>L.VARELA - DOCK</td> <td></td> </tr> <tr> <td>CHK</td> <td>18MAR205</td> </tr> <tr> <td>S.BOLASH</td> <td></td> </tr> <tr> <td>APVD</td> <td>18MAR205</td> </tr> <tr> <td>M.WALMSLEY</td> <td></td> </tr> </table>		DIN	18MAR205	L.VARELA - DOCK		CHK	18MAR205	S.BOLASH		APVD	18MAR205	M.WALMSLEY																			
DIN	18MAR205																																
L.VARELA - DOCK																																	
CHK	18MAR205																																
S.BOLASH																																	
APVD	18MAR205																																
M.WALMSLEY																																	
<table border="1"> <tr> <td>DIMENSIONS:</td> <td>TOLERANCES UNLESS OTHERWISE SPECIFIED:</td> </tr> <tr> <td>INCHES</td> <td></td> </tr> <tr> <td>0 PLC</td> <td>± .005</td> </tr> <tr> <td>1 PLC</td> <td>± .005</td> </tr> <tr> <td>2 PLC</td> <td>± .005</td> </tr> <tr> <td>3 PLC</td> <td>± .005</td> </tr> <tr> <td>4 PLC</td> <td>± .005</td> </tr> <tr> <td>ANGLES</td> <td>± .2°</td> </tr> </table>		DIMENSIONS:	TOLERANCES UNLESS OTHERWISE SPECIFIED:	INCHES		0 PLC	± .005	1 PLC	± .005	2 PLC	± .005	3 PLC	± .005	4 PLC	± .005	ANGLES	± .2°	<table border="1"> <tr> <td>NAME</td> <td>RECEPTACLE ASSEMBLY, SIZE 1, RIGHT ANGLE, .318 SERIES, FRONT METAL SHELL, .026 DIA POSTS, BOARDLOCKS, AMPLIMITE HD-20</td> </tr> <tr> <td>PRODUCT SPEC</td> <td>108-40025</td> </tr> <tr> <td>APPLICATION SPEC</td> <td>114-40010</td> </tr> <tr> <td>SIZE</td> <td>A1</td> </tr> <tr> <td>CAGE CODE</td> <td>00779</td> </tr> <tr> <td>DRAWING NO</td> <td>5747844</td> </tr> <tr> <td>RESTRICTED TO</td> <td></td> </tr> </table>		NAME	RECEPTACLE ASSEMBLY, SIZE 1, RIGHT ANGLE, .318 SERIES, FRONT METAL SHELL, .026 DIA POSTS, BOARDLOCKS, AMPLIMITE HD-20	PRODUCT SPEC	108-40025	APPLICATION SPEC	114-40010	SIZE	A1	CAGE CODE	00779	DRAWING NO	5747844	RESTRICTED TO	
DIMENSIONS:	TOLERANCES UNLESS OTHERWISE SPECIFIED:																																
INCHES																																	
0 PLC	± .005																																
1 PLC	± .005																																
2 PLC	± .005																																
3 PLC	± .005																																
4 PLC	± .005																																
ANGLES	± .2°																																
NAME	RECEPTACLE ASSEMBLY, SIZE 1, RIGHT ANGLE, .318 SERIES, FRONT METAL SHELL, .026 DIA POSTS, BOARDLOCKS, AMPLIMITE HD-20																																
PRODUCT SPEC	108-40025																																
APPLICATION SPEC	114-40010																																
SIZE	A1																																
CAGE CODE	00779																																
DRAWING NO	5747844																																
RESTRICTED TO																																	
MATERIAL	FINISH	WEIGHT	CUSTOMER DRAWING																														
(6)	(6)		SCALE 4:1 SHEET 1 OF 1 REV P																														

Looking for pricing, stock, or lifecycle information?

Click below to explore more details on WIN SOURCE:

 [View 5747844-3 on WIN SOURCE](#)

 [TE Connectivity](#) Information

Optimize Your Supply Chain with WIN SOURCE Solutions

-  Global Sourcing Solution
-  Obsolete Management
-  Cost Control Management
-  Shortage Management
-  Alternative Solution
-  Excess Inventory Management