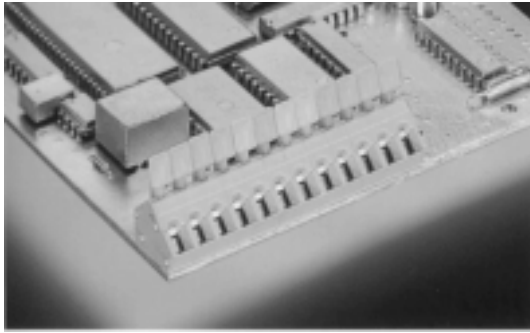




**THE DATASHEET OF  
ED3001/9-KD**



# ED3001/X-FD



1-n poles, Spacing 5.0 mm adjustable to 5.08 mm  
insert required no. of poles **X**  
How to order see page 5



### Ratings:

Rated Voltage	<b>300 V</b>	<b>250 V</b>
Rated Current	<b>16 A</b>	<b>24 A (T60)</b>
Wire Size	<b>AWG 28-14</b>	<b>2.5 mm<sup>2</sup></b>
Test Voltage		<b>2.0 kV</b>

### Max. Rated Cross Section

Single Wire (solid)	<b>2.5 mm<sup>2</sup></b>
Stranded Wire (flexible)	<b>2.5 mm<sup>2</sup></b>
Stranded wire with Ferrules	<b>1.5 mm<sup>2</sup></b>

### Dimensions

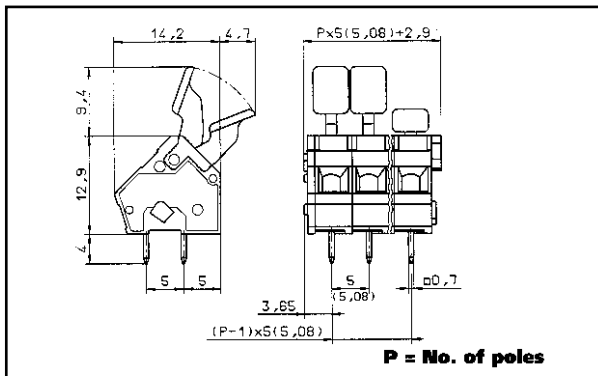
Spacing	<b>5.0 mm (5.08 mm)</b>
PCB Hole Diameter	<b>1.0 mm (2x)</b>
Stripped Length	<b>6.0 mm</b>

### Materials

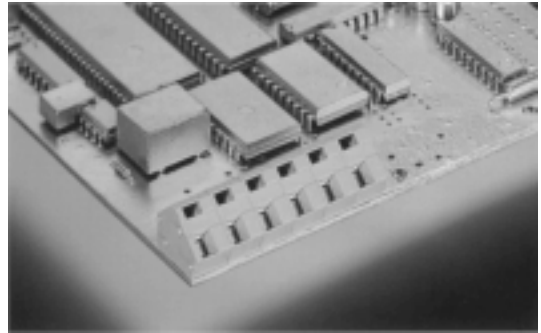
Insulating Material	<b>PA</b>
Flammability Class	<b>UL94 V-0</b>
Temperature Range	<b>-30°C/+105°C</b>
Cage Clamp	<b>Stainless Steel</b>
Wire Guard	<b>Cu</b>

### Color

Slade Grey



# ED3010/X



1-n poles, Spacing 7.5 mm adjustable to 7.62 mm  
insert required no. of poles **X**  
How to order see page 5



### Ratings:

Rated Voltage	<b>300 V</b>	<b>750 V</b>
Rated Current	<b>16 A</b>	<b>24 A (T60)</b>
Wire Size	<b>AWG 28-14</b>	<b>2.5 mm<sup>2</sup></b>
Test Voltage		<b>3.0 kV</b>

### Max. Rated Cross Section

Single Wire (solid)	<b>2.5 mm<sup>2</sup></b>
Stranded Wire (flexible)	<b>2.5 mm<sup>2</sup></b>
Stranded wire with Ferrules	<b>1.5 mm<sup>2</sup></b>

### Dimensions

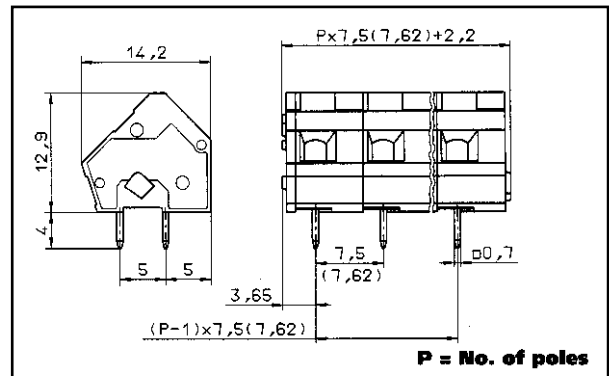
Spacing	<b>7.5 mm (7.62 mm)</b>
PCB Hole Diameter	<b>1.0 mm (2x)</b>
Stripped Length	<b>6.0 mm</b>

### Materials

Insulating Material	<b>PA</b>
Flammability Class	<b>UL94 V-0</b>
Temperature Range	<b>-30°C/+105°C</b>
Cage Clamp	<b>Stainless Steel</b>
Wire Guard	<b>Cu</b>

### Color

Slade Grey



## Looking for pricing, stock, or lifecycle information?

Click below to explore more details on WIN SOURCE:

- ⊖ [View ED3001/9-KD on WIN SOURCE](#)
- ⊖ [On Shore Technology Inc. Information](#)

## Optimize Your Supply Chain with WIN SOURCE Solutions

- ✓ Global Sourcing Solution
- ✓ Obsolete Management
- ✓ Cost Control Management
- ✓ Shortage Management
- ✓ Alternative Solution
- ✓ Excess Inventory Management