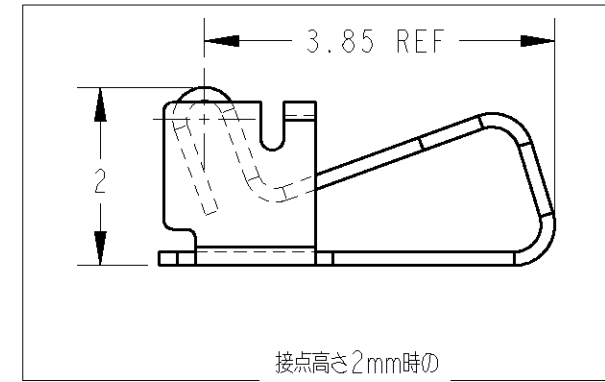
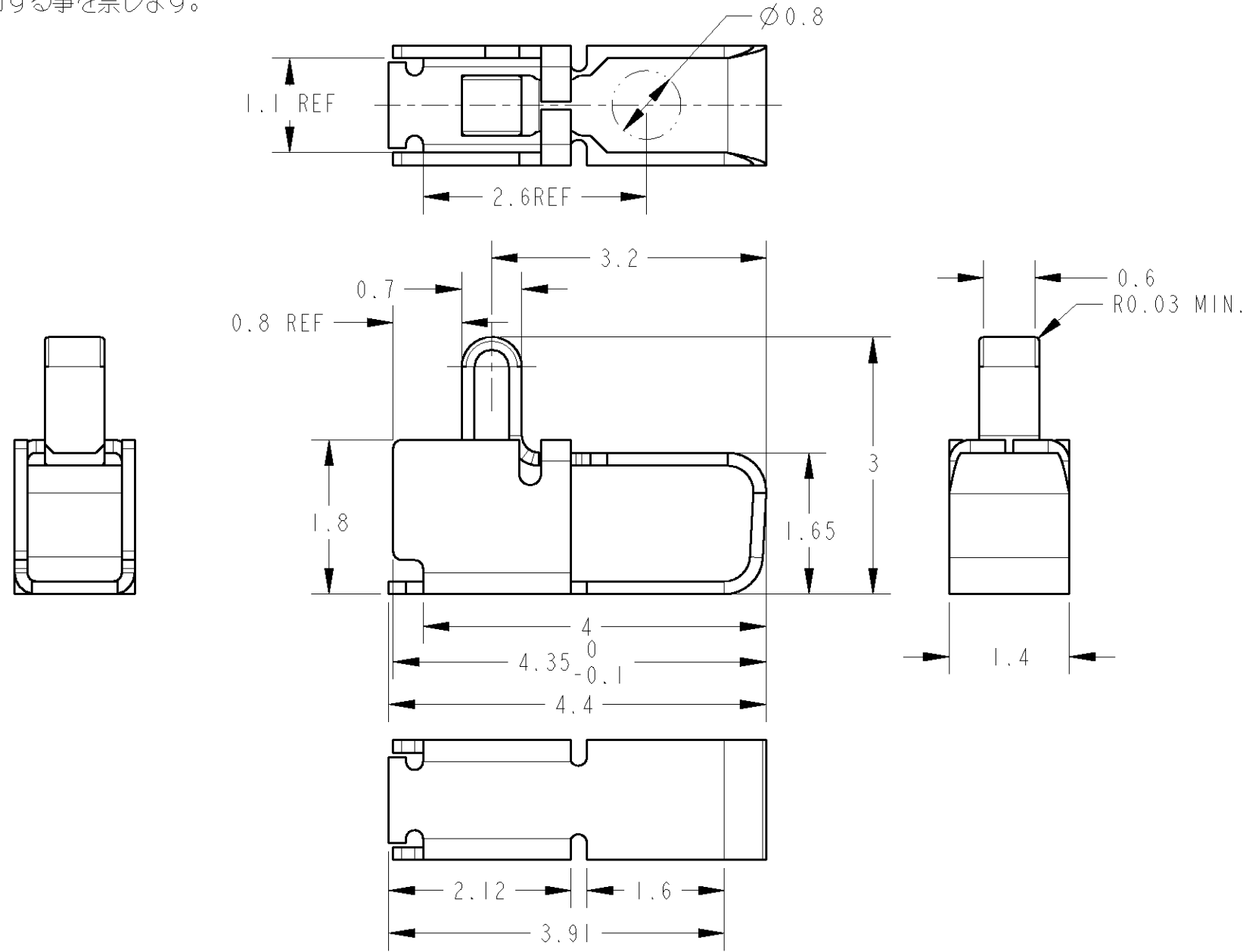


THIS DRAWING IS UNPUBLISHED. RELEASED FOR PUBLICATION 20
 © COPYRIGHT 20 BY TYCO ELECTRONICS CORPORATION. ALL RIGHTS RESERVED.

LOC	DIST	REVISIONS					
		P	LTR	DESCRIPTION	DATE	DWN	APVD
J	-		AI	REVISED	28MAY07	C.O	Y.N

本図面に記載された内容はタイコ エレクトロニクス アンパ(株)の所有する情報を開示しております。
 無断で複写・配布する事を禁じます。

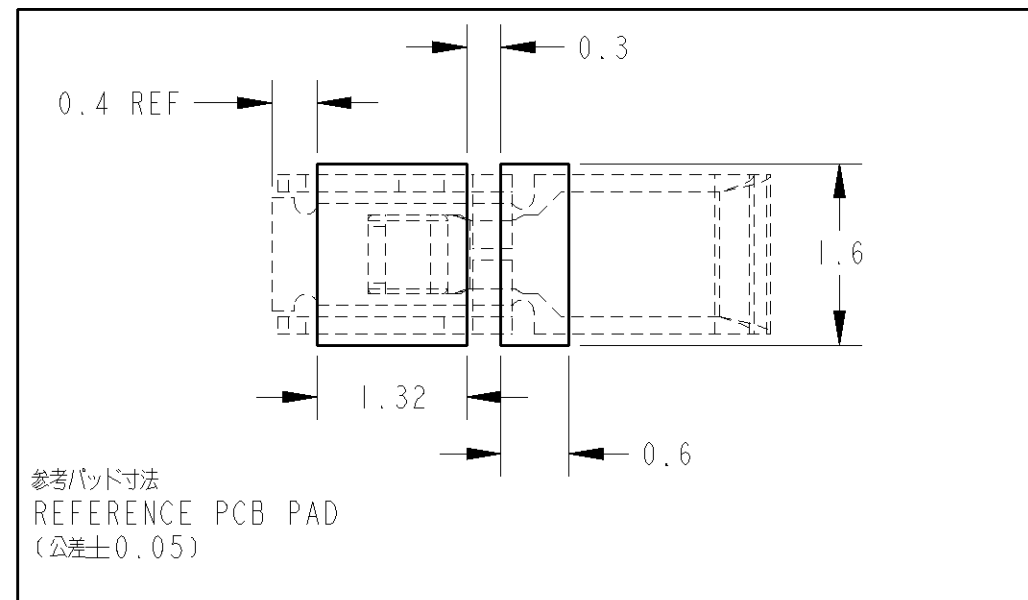
特許出願中



-1; 本図
 -1; AS SHOWN

- ① めっき仕様
 全面Ni下地 : 0.8μm MIN
 コンタクトポイント : Au 0.25~0.5μm
 半田付けエリア : Au 0.05μm MIN
- 2. カットバリ : 0.05MAX
 その他 全周バリ : 0.03MAX
- ③ 材料: 銅合金
- 4 1mmストローク時に1N以上

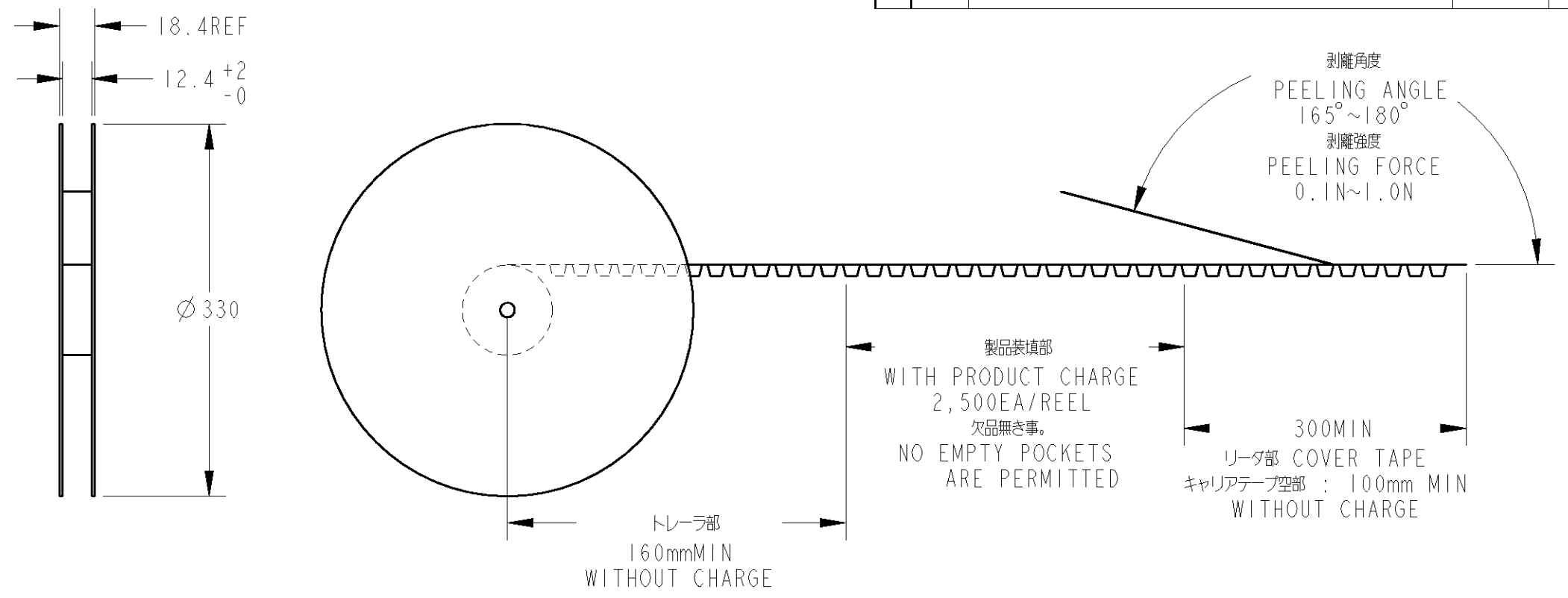
- ① PLATED
 ALL OVER; Ni 0.8μm MIN
 CONTACT POINT; Au 0.25~0.5μm
 SOLDERING AREA; Au 0.05μm MIN
- 2. CUT BURR; 0.05 MAX.
 OTHER BURR; 0.03 MAX.
- ③ MATERIAL; COPPER ALLOY
- 4 IN MIN. / 1mm STROKE



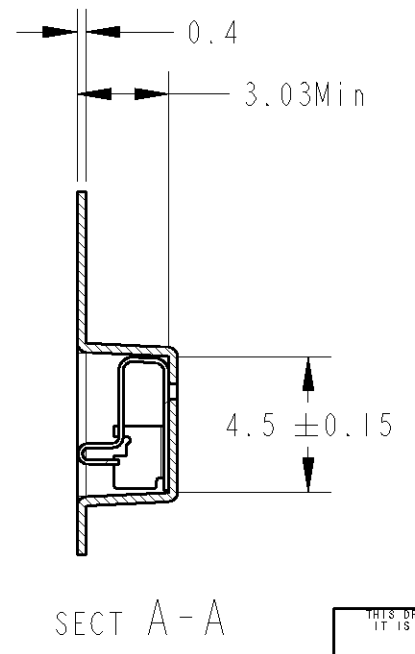
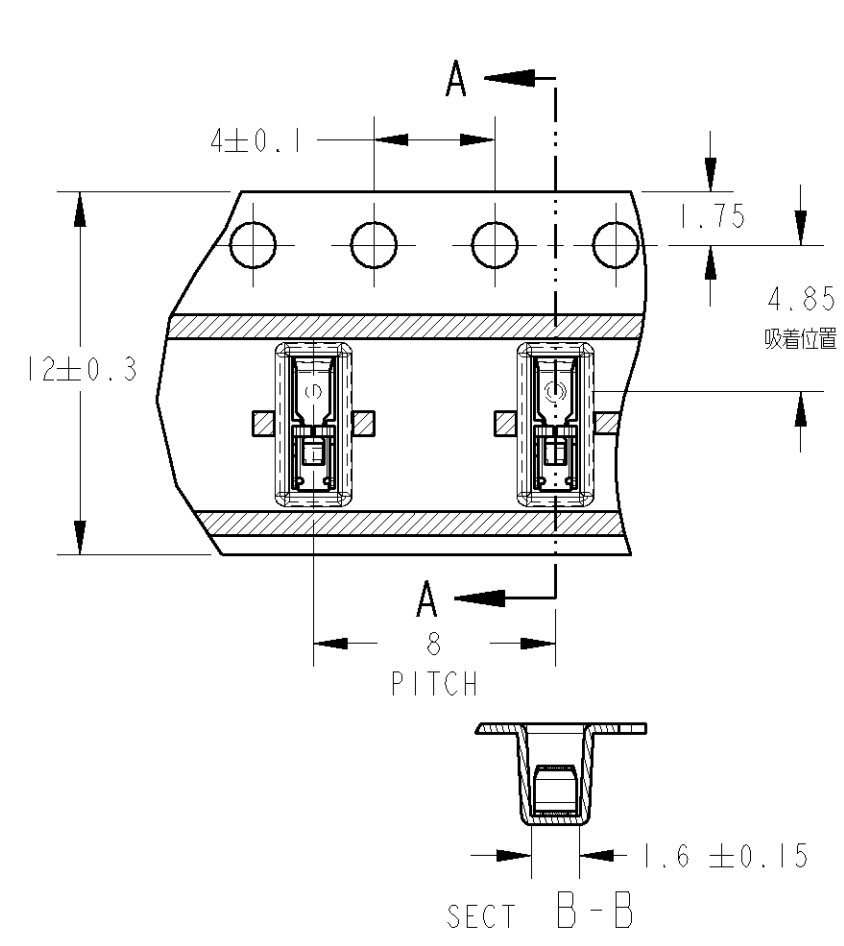
THIS DRAWING IS A CONTROLLED DOCUMENT FOR TYCO ELECTRONICS CORPORATION IT IS SUBJECT TO CHANGE AND THE CONTROLLING ENGINEERING ORGANIZATION SHOULD BE CONTACTED FOR THE LATEST REVISION.		DWN C.OHASHI 10MAR2005	Tyco Electronics AMP K.K. Kawasaki, Japan	
DIMENSIONS: 単位: 殆 mm		CHK T.KIMURA 10MAR2005		
TOLERANCES UNLESS OTHERWISE SPECIFIED: 一般公差 ±0.2		APVD T.KIMURA 10MAR2005	NAME 名称 SHIELD FINGER 3014 ANTI OVER STRESS TYPE EMBOSS PACKING	
0-PLC ± 1-PLC ±0.5 2-PLC ±0.13 3-PLC ±0.013 4-PLC ±0.001 ANGLES ±		PRODUCT SPEC 製品規格 -	SIZE A3	
MATERIAL 材料 SEE NOTE		APPLICATION SPEC 取付適用規格 -	CAGE CODE 00779	DRAWING NO 番号 C=1827625
FINISH 仕上 SEE NOTE		WEIGHT 0.01g	RESTRICTED TO -	
①		CUSTOMER DRAWING		SCALE 15:1
②		SHEET 1 OF 2		REV A1

THIS DRAWING IS UNPUBLISHED. RELEASED FOR PUBLICATION 20
 © COPYRIGHT 20 BY TYCO ELECTRONICS CORPORATION. ALL RIGHTS RESERVED.

LOC	DIST	REVISIONS					
		P	LTR	DESCRIPTION	DATE	DWN	APVD
J	-	-	-	SEE SHEET 1	-	-	-



→ DIRECTION OF TOP OF REEL



- | ; AS SHOWN
 - | ; 本図

<small>THIS DRAWING IS A CONTROLLED DOCUMENT FOR TYCO ELECTRONICS CORPORATION IT IS SUBJECT TO CHANGE AND THE CONTROLLING ENGINEERING ORGANIZATION SHOULD BE CONTACTED FOR THE LATEST REVISION.</small>		DWN C.OHASHI 10MAR2005 CHK T.KIMURA 10MAR2005 APVD T.KIMURA 10MAR2005		tyco Electronics		Tyco Electronics AMP K.K. Kawasaki, Japan	
DIMENSIONS: mm		TOLERANCES UNLESS OTHERWISE SPECIFIED: 0 PLC ±- 1 PLC ±0.5 2 PLC ±0.13 3 PLC ±0.013 4 PLC ±0.0001 ANGLES ±-		PRODUCT SPEC -		NAME SHIELD FINGER 3014 ANTI OVER STRESS TYPE EMBOSS PACKING	
MATERIAL -		FINISH -		APPLICATION SPEC -		RESTRICTED TO -	
WEIGHT -		CUSTOMER DRAWING		SIZE A3 CAGE CODE 00779 DRAWING NO. C-1827625		SCALE 15:1 SHEET 2 OF 2 REV A1	

Looking for pricing, stock, or lifecycle information?

Click below to explore more details on WIN SOURCE:

 [View 1827625-1](#) on WIN SOURCE

 [TE Connectivity](#) Information

Optimize Your Supply Chain with WIN SOURCE Solutions

-  Global Sourcing Solution
-  Obsolete Management
-  Cost Control Management
-  Shortage Management
-  Alternative Solution
-  Excess Inventory Management