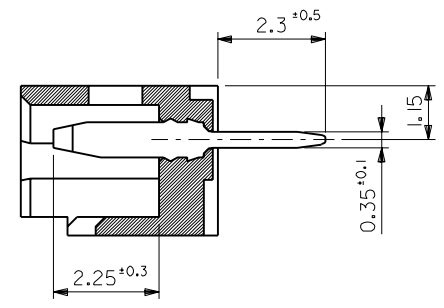
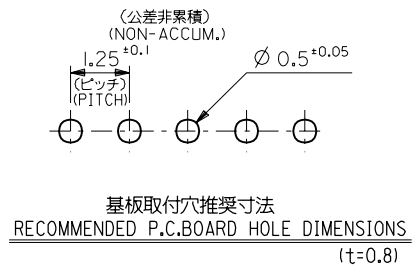
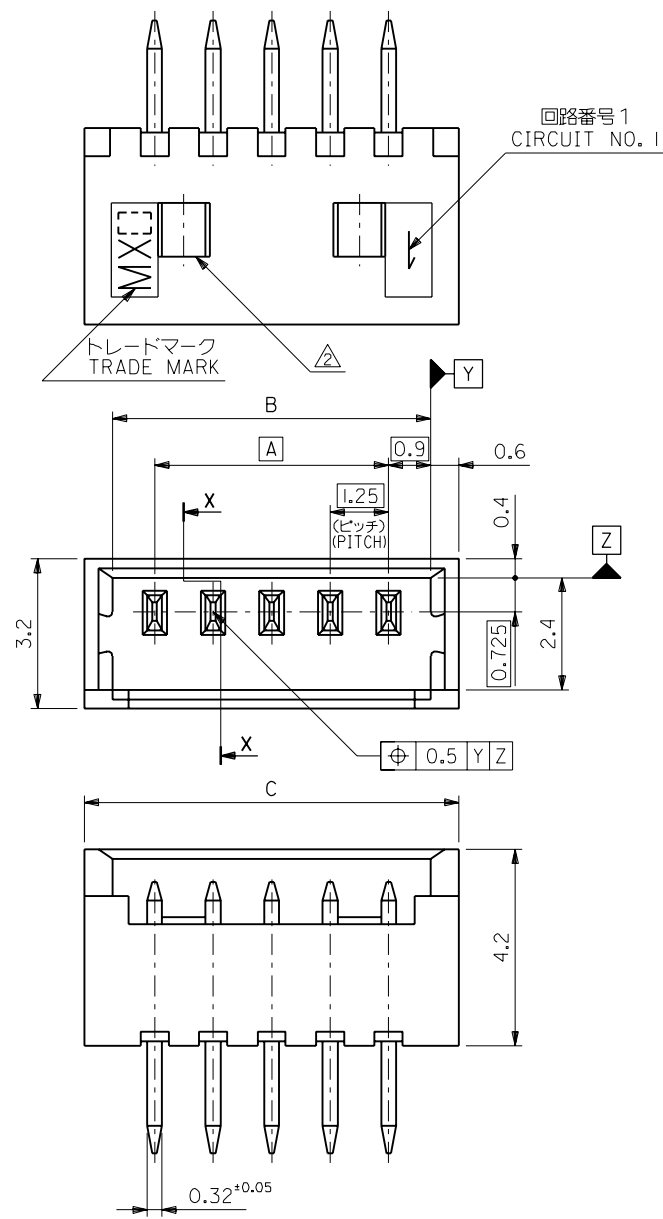




THE DATASHEET OF
530470610





注記
NOTES

- 嵌合相手 : 51021 シリーズ
MATES WITH : 51021 SERIES
- ロック窓は2極と3極は1カ所、4極以上は2カ所とする。
LOCK WINDOW :
ONE PLACE FOR 2 AND 3 CKTS.
TWO PLACES FOR 4 AND MORE THAN 4 CKTS.
- 材料
ウエハー : 66ナイロン、UL94V-0 (カラー : オフホワイト)
ピン : リン青銅、錫メッキ (0.9 μm MIN.)
MATERIAL
WAFER : 66NYLON, UL94V-0 (COLOR : OFF-WHITE)
PIN : PHOSPHOR BRONZE, PRE-TINNED (0.9 μm MIN.)

20.5	19.3	17.5	53047-1510	15
19.25	18.05	16.25	↑ -1410	14
18	16.8	15	-1310	13
16.75	15.55	13.75	-1210	12
15.5	14.3	12.5	-1110	11
14.25	13.05	11.25	-1010	10
13	11.8	10	-0910	9
11.75	10.55	8.75	-0810	8
10.5	9.3	7.5	-0710	7
9.25	8.05	6.25	-0610	6
8	6.8	5	-0510	5
6.75	5.55	3.75	-0410	4
5.5	4.3	2.5	↓ -0310	3
4.25	3.05	1.25	53047-0210	2
C	B	A	ENG. NO.	極数 NO. OF CKTS.

材料 MATERIAL		注記3 参照 SEE NOTE 3		molex MOLEX-JAPAN CO.,LTD. 日本モレックス株式会社	
仕上げ FINISH		— — —		REVISE ONLY ON CAD SYSTEM	
適用電線範囲 WIRE RANGE		— — —		TITLE 名称	
被覆外径 INS. RANGE		— — —		1.25 WIRE TO BOARD CONN. WAFER ASS'Y STRAIGHT	
DRAWN BY '94/11/23 H.HIRAMOTO		CHK'D BY '94/11/24 M.FUKUSHIMA		DWG. NO.	
REVISED AND REWORKED		H.H. M.F. '94/11/23		REV	
REVISION RECORD		DR. DATE		SCALE 10 - 1	
E 変更及び再作図 (J40963)		M.F. '94/11/23		SD-53047-***10	
LTR 変更内容		DR. CHK. DATE		E	
一般公差 GENERAL TOLERANCES		記号 LTR		E	

Looking for pricing, stock, or lifecycle information?

Click below to explore more details on WIN SOURCE:

 [View 530470610 on WIN SOURCE](#)

 [Molex, LLC Information](#)

Optimize Your Supply Chain with WIN SOURCE Solutions

-  Global Sourcing Solution
-  Obsolete Management
-  Cost Control Management
-  Shortage Management
-  Alternative Solution
-  Excess Inventory Management