



# THE DATASHEET OF STM8AF5286UCY



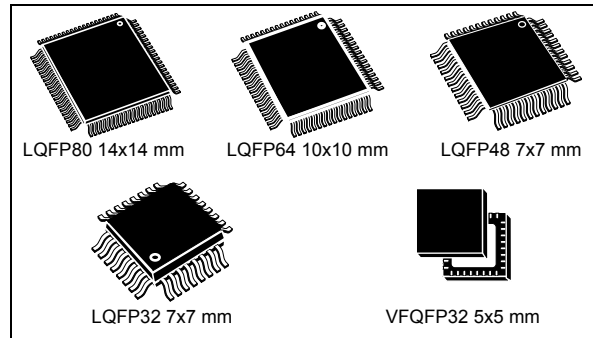
Automotive 8-bit MCU, with up to 128 Kbyte Flash, data EEPROM, 10-bit ADC, timers, LIN, CAN, USART, SPI, I2C, 3 to 5.5 V

Datasheet - production data

## Features



- AEC-Q10x qualified
- Core
  - Max  $f_{CPU}$ : 24 MHz
  - Advanced STM8A core with Harvard architecture and 3-stage pipeline
  - Average 1.6 cycles/instruction resulting in 10 MIPS at 16 MHz  $f_{CPU}$  for industry standard benchmark
- Memories
  - Program memory: 32 to 128 Kbyte Flash program; data retention 20 years at 55 °C
  - Data memory: up to 2 Kbyte true data EEPROM; endurance 300 kcycle
  - RAM: 6 Kbyte
- Clock management
  - Low-power crystal resonator oscillator with external clock input
  - Internal, user-trimmable 16 MHz RC and low-power 128 kHz RC oscillators
  - Clock security system with clock monitor
- Reset and supply management
  - Wait/auto-wakeup/Halt low-power modes with user definable clock gating
  - Low consumption power-on and power-down reset
- Interrupt management
  - Nested interrupt controller with 32 vectors
  - Up to 37 external interrupts on 5 vectors
- Timers
  - 2 general purpose 16-bit timers with up to 3 CAPCOM channels each (IC, OC, PWM)
  - Advanced control timer: 16-bit, 4 CAPCOM channels, 3 complementary outputs, dead-time insertion and flexible synchronization
  - 8-bit AR basic timer with 8-bit prescaler
  - Auto-wakeup timer
  - Window and independent watchdog timers
- I/Os
  - Up to 68 user pins (11 high sink I/Os)



- Highly robust I/O design, immune against current injection
- Communication interfaces
  - High speed 1 Mbit/s CAN 2.0B interface
  - USART with clock output for synchronous operation - LIN master mode
  - LINUART LIN 2.2 compliant, master/slave modes with automatic resynchronization
  - SPI interface up to 10 Mbit/s or  $f_{MASTER}/2$
  - I<sup>2</sup>C interface up to 400 Kbit/s
- Analog to digital converter (ADC)
  - 10-bit resolution, 2 LSB TUE, 1 LSB linearity and up to 16 multiplexed channels
- Operating temperature up to 150 °C
- Qualification conforms to AEC-Q100 grade 0

Table 1. Device summary<sup>(1)</sup>

Reference	Part number
STM8AF526x/8x/Ax (with CAN)	STM8AF5268, STM8AF5269, STM8AF5286, STM8AF5288, STM8AF5289, STM8AF528A, STM8AF52A6, STM8AF52A8, STM8AF52A9, STM8AF52AA
STM8AF6269/8x/Ax	STM8AF6269, STM8AF6286, STM8AF6288, STM8AF6289, STM8AF628A, STM8AF62A6, STM8AF62A8, STM8AF62A9, STM8AF62AA

1. In the order code, 'F' applies to devices with Flash program memory and data EEPROM. 'F' is replaced by 'P' for devices with FASTROM (see [Table 2](#), [Table 3](#) and [Figure 60](#)).

# Contents

<b>1</b>	<b>Introduction</b> .....	<b>9</b>
<b>2</b>	<b>Description</b> .....	<b>10</b>
<b>3</b>	<b>Product line-up</b> .....	<b>11</b>
<b>4</b>	<b>Block diagram</b> .....	<b>12</b>
<b>5</b>	<b>Product overview</b> .....	<b>14</b>
5.1	STM8A central processing unit (CPU) .....	14
5.1.1	Architecture and registers .....	14
5.1.2	Addressing .....	14
5.1.3	Instruction set .....	14
5.2	Single wire interface module (SWIM) and debug module (DM) .....	15
5.2.1	SWIM .....	15
5.2.2	Debug module .....	15
5.3	Interrupt controller .....	15
5.4	Flash program and data EEPROM .....	15
5.4.1	Architecture .....	15
5.4.2	Write protection (WP) .....	16
5.4.3	Protection of user boot code (UBC) .....	16
5.4.4	Read-out protection (ROP) .....	16
5.5	Clock controller .....	17
5.5.1	Features .....	17
5.5.2	16 MHz high-speed internal RC oscillator (HSI) .....	17
5.5.3	128 kHz low-speed internal RC oscillator (LSI) .....	18
5.5.4	24 MHz high-speed external crystal oscillator (HSE) .....	18
5.5.5	External clock input .....	18
5.5.6	Clock security system (CSS) .....	18
5.6	Low-power operating modes .....	19
5.7	Timers .....	20
5.7.1	Watchdog timers .....	20
5.7.2	Auto-wakeup counter .....	20
5.7.3	Beeper .....	20

5.7.4	Advanced control and general purpose timers	20
5.7.5	Basic timer	21
5.8	Analog to digital converter (ADC)	22
5.9	Communication interfaces	22
5.9.1	Universal synchronous/asynchronous receiver transmitter (USART)	22
5.9.2	Universal asynchronous receiver/transmitter with LIN support (LINUART)	24
5.9.3	Serial peripheral interface (SPI)	25
5.9.4	Inter integrated circuit (I <sup>2</sup> C) interface	25
5.9.5	Controller area network interface (beCAN)	26
5.10	Input/output specifications	27
<b>6</b>	<b>Pinouts and pin description</b>	<b>28</b>
6.1	Package pinouts	28
6.2	Alternate function remapping	39
<b>7</b>	<b>Memory and register map</b>	<b>40</b>
7.1	Memory map	40
7.2	Register map	41
<b>8</b>	<b>Interrupt table</b>	<b>53</b>
<b>9</b>	<b>Option bytes</b>	<b>54</b>
<b>10</b>	<b>Electrical characteristics</b>	<b>59</b>
10.1	Parameter conditions	59
10.1.1	Minimum and maximum values	59
10.1.2	Typical values	59
10.1.3	Typical curves	59
10.1.4	Loading capacitor	59
10.1.5	Pin input voltage	60
10.2	Absolute maximum ratings	60
10.3	Operating conditions	62
10.3.1	VCAP external capacitor	63
10.3.2	Supply current characteristics	63
10.3.3	External clock sources and timing characteristics	68
10.3.4	Internal clock sources and timing characteristics	70

10.3.5	Memory characteristics	72
10.3.6	I/O port pin characteristics	74
10.3.7	Reset pin characteristics	78
10.3.8	TIM 1, 2, 3, and 4 electrical specifications	80
10.3.9	SPI interface	81
10.3.10	I <sup>2</sup> C interface characteristics	84
10.3.11	10-bit ADC characteristics	85
10.3.12	EMC characteristics	87
<b>11</b>	<b>Package information</b>	<b>90</b>
11.1	LQFP80 package information	90
11.2	LQFP64 package information	94
11.3	LQFP48 package information	97
11.4	LQFP32 package information	101
11.5	VFQFPN32 package information	105
11.6	Thermal characteristics	109
11.6.1	Reference document	109
11.6.2	Selecting the product temperature range	110
<b>12</b>	<b>Ordering information</b>	<b>111</b>
<b>13</b>	<b>STM8 development tools</b>	<b>112</b>
13.1	Emulation and in-circuit debugging tools	112
13.1.1	STice key features	112
13.2	Software tools	113
13.2.1	STM8 toolset	113
13.2.2	C and assembly toolchains	113
13.3	Programming tools	114
<b>14</b>	<b>Revision history</b>	<b>115</b>

## List of tables

Table 1.	Device summary . . . . .	1
Table 2.	STM8AF526x/8x/Ax product line-up with CAN . . . . .	11
Table 3.	STM8AF6269/8x/Ax product line-up without CAN . . . . .	11
Table 4.	Peripheral clock gating bits (CLK_PCKENR1) . . . . .	18
Table 5.	Peripheral clock gating bits (CLK_PCKENR2) . . . . .	19
Table 6.	Advanced control and general purpose timers . . . . .	21
Table 7.	TIM4 . . . . .	21
Table 8.	ADC naming . . . . .	22
Table 9.	Communication peripheral naming correspondence . . . . .	22
Table 10.	Legend/abbreviation for the pin description table . . . . .	33
Table 11.	STM8AF526x/8x/Ax and STM8AF6269/8x/Ax pin description . . . . .	34
Table 12.	Memory model 128K. . . . .	41
Table 13.	I/O port hardware register map . . . . .	41
Table 14.	General hardware register map . . . . .	43
Table 15.	CPU/SWIM/debug module/interrupt controller registers . . . . .	51
Table 16.	Temporary memory unprotection registers . . . . .	52
Table 17.	STM8A interrupt table . . . . .	53
Table 18.	Option bytes . . . . .	54
Table 19.	Option byte description . . . . .	56
Table 20.	Voltage characteristics . . . . .	60
Table 21.	Current characteristics . . . . .	61
Table 22.	Thermal characteristics . . . . .	61
Table 23.	Operating lifetime . . . . .	61
Table 24.	General operating conditions . . . . .	62
Table 25.	Operating conditions at power-up/power-down . . . . .	63
Table 26.	Total current consumption in Run, Wait and Slow mode. General conditions for $V_{DD}$ apply, $T_A = -40\text{ }^{\circ}\text{C}$ to $150\text{ }^{\circ}\text{C}$ . . . . .	64
Table 27.	Total current consumption in Halt and Active-halt modes. General conditions for $V_{DD}$ applied. $T_A = -40\text{ }^{\circ}\text{C}$ to $55\text{ }^{\circ}\text{C}$ unless otherwise stated . . . . .	65
Table 28.	Oscillator current consumption . . . . .	65
Table 29.	Programming current consumption . . . . .	66
Table 30.	Typical peripheral current consumption $V_{DD} = 5.0\text{ V}$ . . . . .	66
Table 31.	HSE external clock characteristics . . . . .	68
Table 32.	HSE oscillator characteristics . . . . .	69
Table 33.	HSI oscillator characteristics . . . . .	70
Table 34.	LSI oscillator characteristics . . . . .	71
Table 35.	Flash program memory/data EEPROM memory . . . . .	72
Table 36.	Flash program memory . . . . .	72
Table 37.	Data memory . . . . .	73
Table 38.	I/O static characteristics . . . . .	74
Table 39.	NRST pin characteristics . . . . .	78
Table 40.	TIM 1, 2, 3, and 4 electrical specifications . . . . .	80
Table 41.	SPI characteristics . . . . .	81
Table 42.	I <sup>2</sup> C characteristics . . . . .	84
Table 43.	ADC characteristics . . . . .	85
Table 44.	ADC accuracy for $V_{DDA} = 5\text{ V}$ . . . . .	86
Table 45.	EMS data . . . . .	87
Table 46.	EMI data . . . . .	88

---

Table 47.	ESD absolute maximum ratings . . . . .	88
Table 48.	Electrical sensitivities . . . . .	89
Table 49.	LQFP80 - 80-pin, 14 x 14 mm low-profile quad flat package mechanical data . . . . .	91
Table 50.	LQFP64 - 64-pin, 10 x 10 mm low-profile quad flat package mechanical data . . . . .	94
Table 51.	LQFP48 - 48-pin, 7 x 7 mm low-profile quad flat package mechanical data . . . . .	98
Table 52.	LQFP32 - 32-pin, 7 x 7 mm low-profile quad flat package mechanical data . . . . .	102
Table 53.	VFQFPN32 - 32-pin, 5 x 5 mm, 0.5 mm pitch very thin profile fine pitch quad flat package mechanical data . . . . .	106
Table 54.	Thermal characteristics . . . . .	109
Table 55.	Document revision history . . . . .	115

## List of figures

Figure 1.	STM8AF526x/8x/Ax and STM8AF6269/8x/Ax block diagram	12
Figure 2.	Flash memory organization of STM8A products.	16
Figure 3.	LQFP 80-pin pinout.	28
Figure 4.	LQFP 64-pin pinout.	29
Figure 5.	LQFP 48-pin pinout.	30
Figure 6.	STM8AF62xx LQFP/VFQFPN 32-pin pinout	31
Figure 7.	STM8AF52x6 VFQFPN32 32-pin pinout	32
Figure 8.	Register and memory map	40
Figure 9.	Pin loading conditions.	59
Figure 10.	Pin input voltage	60
Figure 11.	fCPU <sub>max</sub> versus V <sub>DD</sub>	62
Figure 12.	External capacitor C <sub>EXT</sub>	63
Figure 13.	Typ. I <sub>DD(RUN)HSE</sub> vs. V <sub>DD</sub> @ f <sub>CPU</sub> = 16 MHz, peripherals = on	67
Figure 14.	Typ. I <sub>DD(RUN)HSE</sub> vs. f <sub>CPU</sub> @ V <sub>DD</sub> = 5.0 V, peripherals = on	67
Figure 15.	Typ. I <sub>DD(RUN)HSI</sub> vs. V <sub>DD</sub> @ f <sub>CPU</sub> = 16 MHz, peripherals = off	67
Figure 16.	Typ. I <sub>DD(WFI)HSE</sub> vs. V <sub>DD</sub> @ f <sub>CPU</sub> = 16 MHz, peripherals = on	67
Figure 17.	Typ. I <sub>DD(WFI)HSE</sub> vs. f <sub>CPU</sub> @ V <sub>DD</sub> = 5.0 V, peripherals = on	67
Figure 18.	Typ. I <sub>DD(WFI)HSI</sub> vs. V <sub>DD</sub> @ f <sub>CPU</sub> = 16 MHz, peripherals = off	67
Figure 19.	HSE external clock source	68
Figure 20.	HSE oscillator circuit diagram.	69
Figure 21.	Typical HSI frequency vs V <sub>DD</sub> .	70
Figure 22.	Typical LSI frequency vs V <sub>DD</sub> .	71
Figure 23.	Typical V <sub>IL</sub> and V <sub>IH</sub> vs V <sub>DD</sub> @ four temperatures	75
Figure 24.	Typical pull-up resistance R <sub>PU</sub> vs V <sub>DD</sub> @ four temperatures	75
Figure 25.	Typical pull-up current I <sub>pu</sub> vs V <sub>DD</sub> @ four temperatures <sup>(1)</sup>	76
Figure 26.	Typ. V <sub>OL</sub> @ V <sub>DD</sub> = 3.3 V (standard ports).	76
Figure 27.	Typ. V <sub>OL</sub> @ V <sub>DD</sub> = 5.0 V (standard ports).	76
Figure 28.	Typ. V <sub>OL</sub> @ V <sub>DD</sub> = 3.3 V (true open drain ports)	76
Figure 29.	Typ. V <sub>OL</sub> @ V <sub>DD</sub> = 5.0 V (true open drain ports)	76
Figure 30.	Typ. V <sub>OL</sub> @ V <sub>DD</sub> = 3.3 V (high sink ports)	77
Figure 31.	Typ. V <sub>OL</sub> @ V <sub>DD</sub> = 5.0 V (high sink ports)	77
Figure 32.	Typ. V <sub>DD</sub> - V <sub>OH</sub> @ V <sub>DD</sub> = 3.3 V (standard ports).	77
Figure 33.	Typ. V <sub>DD</sub> - V <sub>OH</sub> @ V <sub>DD</sub> = 5.0 V (standard ports).	77
Figure 34.	Typ. V <sub>DD</sub> - V <sub>OH</sub> @ V <sub>DD</sub> = 3.3 V (high sink ports)	77
Figure 35.	Typ. V <sub>DD</sub> - V <sub>OH</sub> @ V <sub>DD</sub> = 5.0 V (high sink ports)	77
Figure 36.	Typical NRST V <sub>IL</sub> and V <sub>IH</sub> vs V <sub>DD</sub> @ four temperatures	78
Figure 37.	Typical NRST pull-up resistance R <sub>PU</sub> vs V <sub>DD</sub> .	79
Figure 38.	Typical NRST pull-up current I <sub>pu</sub> vs V <sub>DD</sub>	79
Figure 39.	Recommended reset pin protection	80
Figure 40.	SPI timing diagram in slave mode and with CPHA = 0.	82
Figure 41.	SPI timing diagram in slave mode and with CPHA = 1.	82
Figure 42.	SPI timing diagram - master mode	83
Figure 43.	Typical application with ADC	85
Figure 44.	ADC accuracy characteristics.	86
Figure 45.	LQFP80 - 80-pin, 14 x 14 mm low-profile quad flat package outline	90
Figure 46.	LQFP80 - 80-pin, 14 x 14 mm low-profile quad flat package recommended footprint.	92
Figure 47.	LQFP80 marking example (package top view).	93

---

Figure 48.	LQFP64 - 64-pin, 10 x 10 mm low-profile quad flat package outline . . . . .	94
Figure 49.	LQFP64 - 64-pin, 10 x 10 mm low-profile quad flat package recommended footprint. . . . .	95
Figure 50.	LQFP64 marking example (package top view). . . . .	96
Figure 51.	LQFP48 - 48-pin, 7 x 7 mm low-profile quad flat package outline . . . . .	97
Figure 52.	LQFP48 - 48-pin, 7 x 7 mm low-profile quad flat package recommended footprint. . . . .	99
Figure 53.	LQFP48 marking example (package top view). . . . .	100
Figure 54.	LQFP32 - 32-pin, 7 x 7 mm low-profile quad flat package outline . . . . .	101
Figure 55.	LQFP32 - 32-pin, 7 x 7 mm low-profile quad flat package recommended footprint. . . . .	103
Figure 56.	LQFP32 marking example (package top view). . . . .	104
Figure 57.	VFQFPN32 - 32-pin, 5x5 mm, 0.5 mm pitch very thin profile fine pitch quad flat package outline . . . . .	105
Figure 58.	VFQFPN32 - 32-pin, 5 x 5 mm, 0.5 mm pitch very thin profile fine pitch quad flat package recommended footprint . . . . .	107
Figure 59.	VFQFPN32 marking example (package top view) . . . . .	108
Figure 60.	STM8AF526x/8x/Ax and STM8AF6269/8x/Ax ordering information scheme <sup>1</sup> . . . . .	111

# 1 Introduction

This datasheet refers to the STM8AF526x/8x/Ax and STM8AF6269/8x/Ax products with 32 to 128 Kbyte of program memory.

In the order code, the letter 'F' refers to product versions with Flash and data EEPROM and 'P' to product versions with FASTROM. The identifiers 'F' and 'P' do not coexist in a given order code.

The datasheet contains the description of family features, pinout, electrical characteristics, mechanical data and ordering information.

- For complete information on the STM8A microcontroller memory, registers and peripherals, please refer to STM8S series and STM8AF series 8-bit microcontrollers reference manual (RM0016).
- For information on programming, erasing and protection of the internal Flash memory please refer to the STM8S and STM8A Flash programming manual (PM0051).
- For information on the debug and SWIM (single wire interface module) refer to the STM8 SWIM communication protocol and debug module user manual (UM0470).
- For information on the STM8 core, please refer to the STM8 CPU programming manual (PM0044).

## 2 Description

The STM8AF526x/8x/Ax and STM8AF6269/8x/Ax automotive 8-bit microcontrollers described in this datasheet offer from 32 Kbyte to 128 Kbyte of non volatile memory and integrated true data EEPROM. They are referred to as high density STM8A devices in STM8S series and STM8AF series 8-bit microcontrollers reference manual (RM0016).

The STM8AF52 series features a CAN interface.

All devices of the STM8A product line provide the following benefits: reduced system cost, performance and robustness, short development cycles, and product longevity.

The system cost is reduced thanks to an integrated true data EEPROM for up to 300 k write/erase cycles and a high system integration level with internal clock oscillators, watchdog, and brown-out reset.

Device performance is ensured by 20 MIPS at 24 MHz CPU clock frequency and enhanced characteristics which include robust I/O, independent watchdogs (with a separate clock source), and a clock security system.

Short development cycles are guaranteed due to application scalability across a common family product architecture with compatible pinout, memory map, and modular peripherals. Full documentation is offered with a wide choice of development tools.

Product longevity is ensured in the STM8A family thanks to their advanced core which is made in a state-of-the art technology for automotive applications with 3.3 V to 5.5 V operating supply.

All STM8A and ST7 microcontrollers are supported by the same tools including STVD/STVP development environment, the STice emulator and a low-cost, third party in-circuit debugging tool.

### 3 Product line-up

**Table 2. STM8AF526x/8x/Ax product line-up with CAN**

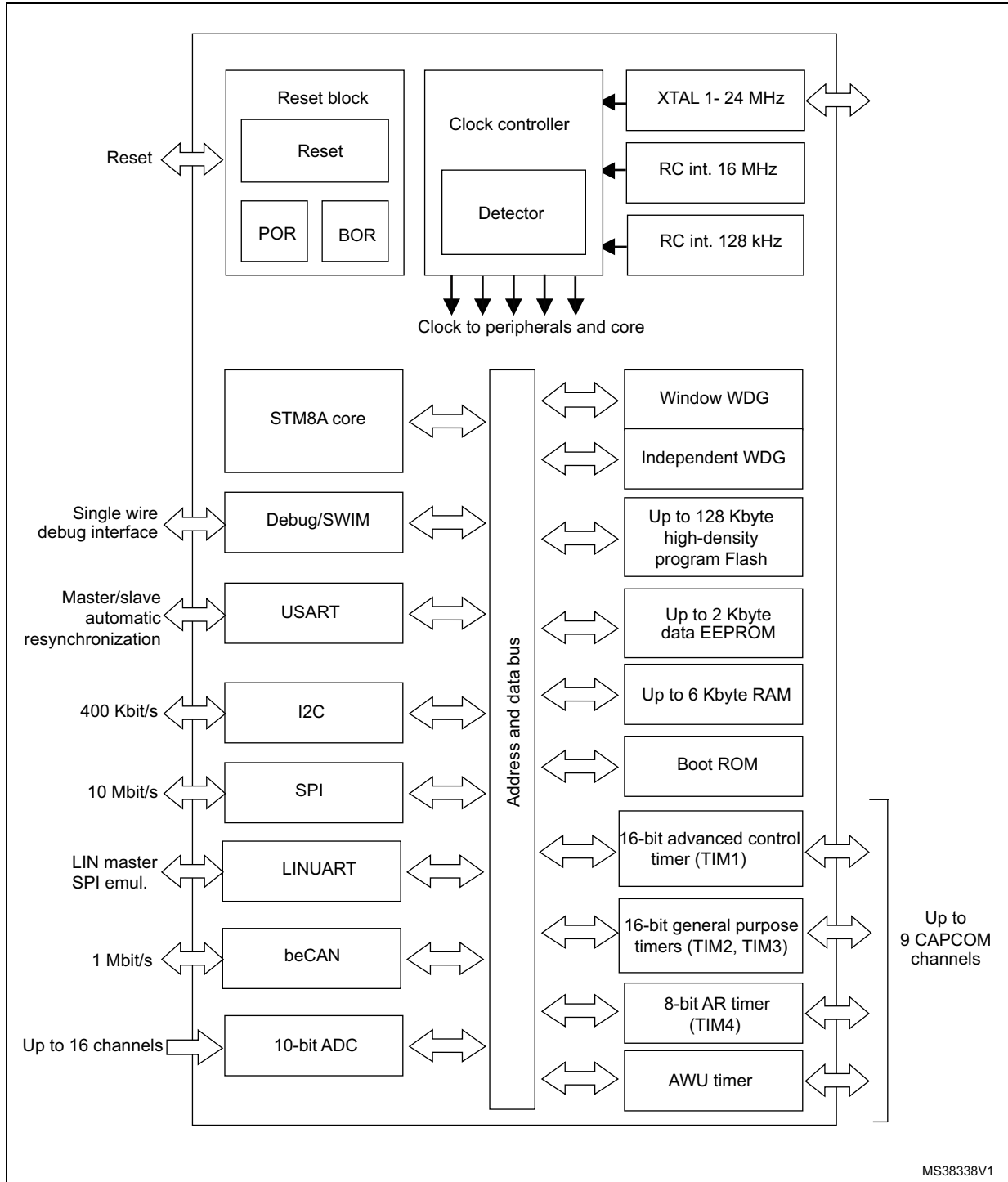
Order code	Package	High density Flash program memory (bytes)	RAM (bytes)	Data EEPROM (bytes)	10-bit A/D chan.	Timers (IC/OC/PWM)	Serial interfaces	I/O wakeup pins
STM8AF/P52AA	LQFP80 (14x14)	128 K	6 K	2 K	16	1x8-bit: TIM4 3x16-bit: TIM1, TIM2, TIM3 (9/9/9)	CAN, LIN(UART), SPI, USART, I <sup>2</sup> C	68/37
STM8AF/P528A		64 K						
STM8AF/P52A9	128 K	1 K						10
STM8AF/P5289	64 K							
STM8AF/P5269	LQFP64 (10x10)	32 K						
STM8AF/P52A8		128 K		2 K	6			1x8-bit: TIM4 3x16-bit: TIM1, TIM2, TIM3 (8/8/8)
STM8AF/P5288		64 K						
STM8AF/P5268	32 K							
STM8AF/P5286	VFQFPN32 (5x5)	64 K		2 K	6	1x8-bit: TIM4 3x16-bit: TIM1, TIM2, TIM3 (8/8/8)	CAN, LIN(UART), I <sup>2</sup> C	25/24
STM8AF/P52A6		128 K						

**Table 3. STM8AF6269/8x/Ax product line-up without CAN**

Order code	Package	High density Flash program memory (bytes)	RAM (bytes)	Data EEPROM (bytes)	10-bit A/D chan.	Timers (IC/OC/PWM)	Serial interfaces	I/O wakeup pins
STM8AF/P62AA	LQFP80 (14x14)	128 K	6 K	2 K	16	1x8-bit: TIM4 3x16-bit: TIM1, TIM2, TIM3 (9/9/9)	LIN(UART), SPI, USART, I <sup>2</sup> C	68/37
STM8AF/P628A		64 K						
STM8AF/P62A9	128 K	2 K						10
STM8AF/P6289	64 K							
STM8AF/P6269	LQFP64 (10x10)	32 K						
STM8AF/P62A8		128 K		2 K	7			1x8-bit: TIM4 3x16-bit: TIM1, TIM2, TIM3 (8/8/8)
STM8AF/P6288		64 K						
STM8AF/P6286	LQFP32 (7x7)							
STM8AF/P62A6	VFQFPN32 (5x5)	128 K		2 K	6	1x8-bit: TIM4 3x16-bit: TIM1, TIM2, TIM3 (8/8/8)	CAN, LIN(UART), I <sup>2</sup> C	25/24
STM8AF/P6286	LQFP32 (7x7)							

# 4 Block diagram

Figure 1. STM8AF526x/8x/Ax and STM8AF6269/8x/Ax block diagram



1. Legend:
  - ADC: Analog-to-digital converter
  - beCAN: Controller area network
  - BOR: Brownout reset
  - I<sup>2</sup>C: Inter-integrated circuit multimaster interface
  - IWDG: Independent window watchdog
  - LINUART: Local interconnect network universal asynchronous receiver transmitter
  - POR: Power on reset
  - SPI: Serial peripheral interface
  - SWIM: Single wire interface module
  - USART: Universal synchronous asynchronous receiver transmitter
  - Window WDG: Window watchdog

## 5 Product overview

This section is intended to describe the family features that are actually implemented in the products covered by this datasheet.

For more detailed information on each feature please refer to STM8S series and STM8AF series 8-bit microcontrollers reference manual (RM0016).

### 5.1 STM8A central processing unit (CPU)

The 8-bit STM8A core is a modern CISC core and has been designed for code efficiency and performance. It contains 21 internal registers (six directly addressable in each execution context), 20 addressing modes including indexed indirect and relative addressing and 80 instructions.

#### 5.1.1 Architecture and registers

- Harvard architecture
- 3-stage pipeline
- 32-bit wide program memory bus with single cycle fetching for most instructions
- X and Y 16-bit index registers, enabling indexed addressing modes with or without offset and read-modify-write type data manipulations
- 8-bit accumulator
- 24-bit program counter with 16-Mbyte linear memory space
- 16-bit stack pointer with access to a 64 Kbyte stack
- 8-bit condition code register with seven condition flags for the result of the last instruction.

#### 5.1.2 Addressing

- 20 addressing modes
- Indexed indirect addressing mode for look-up tables located anywhere in the address space
- Stack pointer relative addressing mode for efficient implementation of local variables and parameter passing

#### 5.1.3 Instruction set

- 80 instructions with 2-byte average instruction size
- Standard data movement and logic/arithmetic functions
- 8-bit by 8-bit multiplication
- 16-bit by 8-bit and 16-bit by 16-bit division
- Bit manipulation
- Data transfer between stack and accumulator (push/pop) with direct stack access
- Data transfer using the X and Y registers or direct memory-to-memory transfers

## 5.2 Single wire interface module (SWIM) and debug module (DM)

### 5.2.1 SWIM

The single wire interface module, SWIM, together with an integrated debug module, permits non-intrusive, real-time in-circuit debugging and fast memory programming. The interface can be activated in all device operation modes and can be connected to a running device (hot plugging). The maximum data transmission speed is 145 bytes/ms.

### 5.2.2 Debug module

The non-intrusive debugging module features a performance close to a full-flavored emulator. Besides memory and peripheral operation, CPU operation can also be monitored in real-time by means of shadow registers.

- R/W of RAM and peripheral registers in real-time
- R/W for all resources when the application is stopped
- Breakpoints on all program-memory instructions (software breakpoints), except the interrupt vector table
- Two advanced breakpoints and 23 predefined breakpoint configurations

## 5.3 Interrupt controller

- Nested interrupts with three software priority levels
- 24 interrupt vectors with hardware priority
- Five vectors for external interrupts (up to 37 depending on the package)
- Trap and reset interrupts

## 5.4 Flash program and data EEPROM

- 32 Kbytes to 128 Kbytes of high density single voltage Flash program memory
- Up to 2 Kbytes true (not emulated) data EEPROM
- Read while write: writing in the data memory is possible while executing code in the Flash program memory.

The whole Flash program memory and data EEPROM are factory programmed with 0x00.

### 5.4.1 Architecture

- The memory is organized in blocks of 128 bytes each
- Read granularity: 1 word = 4 bytes
- Write/erase granularity: 1 word (4 bytes) or 1 block (128 bytes) in parallel
- Writing, erasing, word and block management is handled automatically by the memory interface.

### 5.4.2 Write protection (WP)

Write protection in application mode is intended to avoid unintentional overwriting of the memory. The write protection can be removed temporarily by executing a specific sequence in the user software.

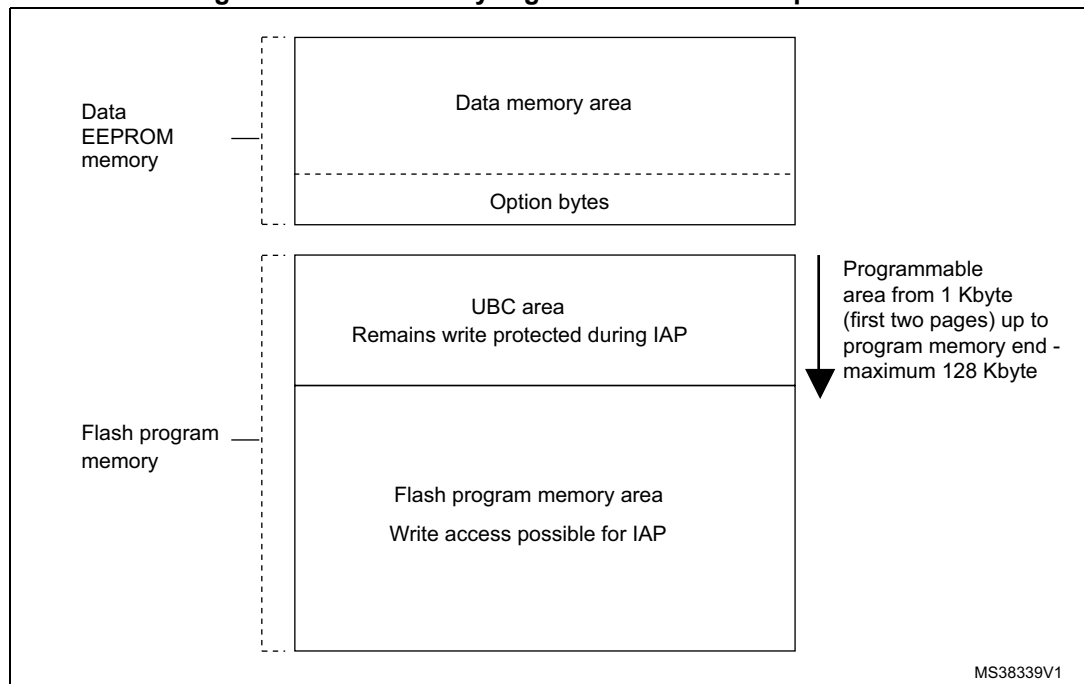
### 5.4.3 Protection of user boot code (UBC)

If the user chooses to update the Flash program memory using a specific boot code to perform in application programming (IAP), this boot code needs to be protected against unwanted modification.

In the STM8A a memory area of up to 128 Kbytes can be protected from overwriting at user option level. Other than the standard write protection, the UBC protection can exclusively be modified via the debug interface, the user software cannot modify the UBC protection status.

The UBC memory area contains the reset and interrupt vectors and its size can be adjusted in increments of 512 bytes by programming the UBC and NUBC option bytes (see [Section 9: Option bytes on page 54](#)).

**Figure 2. Flash memory organization of STM8A products**



### 5.4.4 Read-out protection (ROP)

The STM8A provides a read-out protection of the code and data memory which can be activated by an option byte setting (see the ROP option byte in section 10).

The read-out protection prevents reading and writing Flash program memory, data memory and option bytes via the debug module and SWIM interface. This protection is active in all device operation modes. Any attempt to remove the protection by overwriting the ROP option byte triggers a global erase of the program and data memory.

The ROP circuit may provide a temporary access for debugging or failure analysis. The temporary read access is protected by a user defined, 8-byte keyword stored in the option byte area. This keyword must be entered via the SWIM interface to temporarily unlock the device.

If desired, the temporary unlock mechanism can be permanently disabled by the user through OPT6/NOPT6 option bytes.

## 5.5 Clock controller

The clock controller distributes the system clock coming from different oscillators to the core and the peripherals. It also manages clock gating for low-power modes and ensures clock robustness.

### 5.5.1 Features

- **Clock sources**
  - 16 MHz high-speed internal RC oscillator (HSI)
  - 128 kHz low-speed internal RC (LSI)
  - 1-24 MHz high-speed external crystal (HSE)
  - Up to 24 MHz high-speed user-external clock (HSE user-ext)
- **Reset:** After reset the microcontroller restarts by default with an internal 2-MHz clock (16 MHz/8). The clock source and speed can be changed by the application program as soon as the code execution starts.
- **Safe clock switching:** Clock sources can be changed safely on the fly in Run mode through a configuration register. The clock signal is not switched until the new clock source is ready. The design guarantees glitch-free switching.
- **Clock management:** To reduce power consumption, the clock controller can stop the clock to the core, individual peripherals or memory.
- **Wakeup:** In case the device wakes up from low-power modes, the internal RC oscillator (16 MHz/8) is used for quick startup. After a stabilization time, the device switches to the clock source that was selected before Halt mode was entered.
- **Clock security system (CSS):** The CSS permits monitoring of external clock sources and automatic switching to the internal RC (16 MHz/8) in case of a clock failure.
- **Configurable main clock output (CCO):** This feature permits to output a clock signal for use by the application.

### 5.5.2 16 MHz high-speed internal RC oscillator (HSI)

- Default clock after reset 2 MHz (16 MHz/8)
- Fast wakeup time

#### User trimming

The register CLK\_HSITRIMR with two trimming bits plus one additional bit for the sign permits frequency tuning by the application program. The adjustment range covers all possible frequency variations versus supply voltage and temperature. This trimming does not change the initial production setting.

### 5.5.3 128 kHz low-speed internal RC oscillator (LSI)

The frequency of this clock is 128 kHz and it is independent from the main clock. It drives the independent watchdog or the AWU wakeup timer.

In systems which do not need independent clock sources for the watchdog counters, the 128 kHz signal can be used as the system clock. This configuration has to be enabled by setting an option byte (OPT3/OPT3N, bit LSI\_EN).

### 5.5.4 24 MHz high-speed external crystal oscillator (HSE)

The external high-speed crystal oscillator can be selected to deliver the main clock in normal Run mode. It operates with quartz crystals and ceramic resonators.

- Frequency range: 1 MHz to 24 MHz
- Crystal oscillation mode: preferred fundamental
- I/Os: standard I/O pins multiplexed with OSCIN, OSCOUT

### 5.5.5 External clock input

An external clock signal can be applied to the OSCIN input pin of the crystal oscillator. The frequency range is 0 to 24 MHz.

### 5.5.6 Clock security system (CSS)

The clock security system protects against a system stall in case of an external crystal clock failure.

In case of a clock failure an interrupt is generated and the high-speed internal clock (HSI) is automatically selected with a frequency of 2 MHz (16 MHz/8).

**Table 4. Peripheral clock gating bits (CLK\_PCKENR1)**

Control bit	Peripheral
PCKEN17	TIM1
PCKEN16	TIM3
PCKEN15	TIM2
PCKEN14	TIM4
PCKEN13	LINUART
PCKEN12	USART
PCKEN11	SPI
PCKEN10	I <sup>2</sup> C

Table 5. Peripheral clock gating bits (CLK\_PCKENR2)

Control bit	Peripheral
PCKEN27	CAN
PCKEN26	Reserved
PCKEN25	Reserved
PCKEN24	Reserved
PCKEN23	ADC
PCKEN22	AWU
PCKEN21	Reserved
PCKEN20	Reserved

## 5.6 Low-power operating modes

For efficient power management, the application can be put in one of four different low-power modes. Users can configure each mode to obtain the best compromise between lowest power consumption, fastest start-up time and available wakeup sources.

- Wait mode  
In this mode, the CPU is stopped but peripherals are kept running. The wakeup is performed by an internal or external interrupt or reset.
- Active-halt mode with regulator on  
In this mode, the CPU and peripheral clocks are stopped. An internal wakeup is generated at programmable intervals by the auto wake up unit (AWU). The main voltage regulator is kept powered on, so current consumption is higher than in Active-halt mode with regulator off, but the wakeup time is faster. Wakeup is triggered by the internal AWU interrupt, external interrupt or reset.
- Active-halt mode with regulator off  
This mode is the same as Active-halt with regulator on, except that the main voltage regulator is powered off, so the wake up time is slower.
- Halt mode  
CPU and peripheral clocks are stopped, the main voltage regulator is powered off. Wakeup is triggered by external event or reset.

In all modes the CPU and peripherals remain permanently powered on, the system clock is applied only to selected modules. The RAM content is preserved and the brown-out reset circuit remains activated.

## 5.7 Timers

### 5.7.1 Watchdog timers

The watchdog system is based on two independent timers providing maximum security to the applications. The watchdog timer activity is controlled by the application program or option bytes. Once the watchdog is activated, it cannot be disabled by the user program without going through reset.

#### Window watchdog timer

The window watchdog is used to detect the occurrence of a software fault, usually generated by external interferences or by unexpected logical conditions, which cause the application program to abandon its normal sequence.

The window function can be used to trim the watchdog behavior to match the application timing perfectly. The application software must refresh the counter before time-out and during a limited time window. If the counter is refreshed outside this time window, a reset is issued.

#### Independent watchdog timer

The independent watchdog peripheral can be used to resolve malfunctions due to hardware or software failures.

It is clocked by the 128 kHz LSI internal RC clock source, and thus stays active even in case of a CPU clock failure. If the hardware watchdog feature is enabled through the device option bits, the watchdog is automatically enabled at power-on, and generates a reset unless the key register is written by software before the counter reaches the end of count.

### 5.7.2 Auto-wakeup counter

This counter is used to cyclically wakeup the device in Active-halt mode. It can be clocked by the internal 128 kHz internal low-frequency RC oscillator or external clock.

LSI clock can be internally connected to TIM3 input capture channel 1 for calibration.

### 5.7.3 Beeper

This function generates a rectangular signal in the range of 1, 2 or 4 kHz which can be output on a pin. This is useful when audible sounds without interference need to be generated for use in the application.

### 5.7.4 Advanced control and general purpose timers

STM8A devices described in this datasheet, contain up to three 16-bit advanced control and general purpose timers providing nine CAPCOM channels in total. A CAPCOM channel can be used either as input compare, output compare or PWM channel. These timers are named TIM1, TIM2 and TIM3.

Table 6. Advanced control and general purpose timers

Timer	Counter width	Counter type	Prescaler factor	Channels	Inverted outputs	Repetition counter	trigger unit	External trigger	Break input
TIM1	16-bit	Up/down	1 to 65536	4	3	Yes	Yes	Yes	Yes
TIM2	16-bit	Up	$2^n$ n = 0 to 15	3	None	No	No	No	No
TIM3	16-bit	Up	$2^n$ n = 0 to 15	2	None	No	No	No	No

### TIM1 - advanced control timer

This is a high-end timer designed for a wide range of control applications. With its complementary outputs, dead-time control and center-aligned PWM capability, the field of applications is extended to motor control, lighting and bridge driver.

- 16-bit up, down and up/down AR (auto-reload) counter with 16-bit fractional prescaler.
- Four independent CAPCOM channels configurable as input capture, output compare, PWM generation (edge and center aligned mode) and single pulse mode output
- Trigger module which allows the interaction of TIM1 with other on-chip peripherals. In the present implementation it is possible to trigger the ADC upon a timer event.
- External trigger to change the timer behavior depending on external signals
- Break input to force the timer outputs into a defined state
- Three complementary outputs with adjustable dead time
- Interrupt sources: 4 x input capture/output compare, 1 x overflow/update, 1 x break

### TIM2, TIM3 - 16-bit general purpose timers

- 16-bit auto-reload up-counter
- 15-bit prescaler adjustable to fixed power of two ratios 1...32768
- Timers with three or two individually configurable CAPCOM channels
- Interrupt sources: 2 or 3 x input capture/output compare, 1 x overflow/update

### 5.7.5 Basic timer

The typical usage of this timer (TIM4) is the generation of a clock tick.

Table 7. TIM4

Timer	Counter width	Counter type	Prescaler factor	Channels	Inverted outputs	Repetition counter	trigger unit	External trigger	Break input
TIM4	8-bit	Up	$2^n$ n = 0 to 7	0	None	No	No	No	No

- 8-bit auto-reload, adjustable prescaler ratio to any power of two from 1 to 128
- Clock source: master clock
- Interrupt source: 1 x overflow/update

## 5.8 Analog to digital converter (ADC)

The STM8A products described in this datasheet contain a 10-bit successive approximation ADC with up to 16 multiplexed input channels, depending on the package.

The ADC name differs between the datasheet and the STM8A/S reference manual (see [Table 8](#)).

**Table 8. ADC naming**

Peripheral name in datasheet	Peripheral name in reference manual (RM0016)
ADC	ADC2

### ADC features

- 10-bit resolution
- Single and continuous conversion modes
- Programmable prescaler:  $f_{MASTER}$  divided by 2 to 18
- Conversion trigger on timer events, and external events
- Interrupt generation at end of conversion
- Selectable alignment of 10-bit data in 2 x 8 bit result registers
- Shadow registers for data consistency
- ADC input range:  $V_{SSA} \leq V_{IN} \leq V_{DDA}$
- Schmitt-trigger on analog inputs can be disabled to reduce power consumption

## 5.9 Communication interfaces

The following sections give a brief overview of the communication peripheral. Some peripheral names differ between the datasheet and STM8S series and STM8AF series 8-bit microcontrollers reference manual (see [Table 9](#)).

**Table 9. Communication peripheral naming correspondence**

Peripheral name in datasheet	Peripheral name in reference manual (RM0016)
USART	UART1
LINUART	UART3

### 5.9.1 Universal synchronous/asynchronous receiver transmitter (USART)

The devices covered by this datasheet contain one USART interface. The USART can operate in standard SCI mode (serial communication interface, asynchronous) or in SPI emulation mode. It is equipped with a 16 bit fractional prescaler. It features LIN master support.

## Detailed feature list:

- Full duplex, asynchronous communications
- NRZ standard format (mark/space)
- High-precision baud rate generator system
  - Common programmable transmit and receive baud rates up to  $f_{\text{MASTER}}/16$
- Programmable data word length (8 or 9 bits)
- Configurable stop bits: Support for 1 or 2 stop bits
- LIN master mode:
  - LIN break and delimiter generation
  - LIN break and delimiter detection with separate flag and interrupt source for readback checking.
- Transmitter clock output for synchronous communication
- Separate enable bits for transmitter and receiver
- Transfer detection flags:
  - Receive buffer full
  - Transmit buffer empty
  - End of transmission flags
- Parity control:
  - Transmits parity bit
  - Checks parity of received data byte
- Four error detection flags:
  - Overrun error
  - Noise error
  - Frame error
  - Parity error
- Six interrupt sources with flags:
  - Transmit data register empty
  - Transmission complete
  - Receive data register full
  - Idle line received
  - Parity error
  - LIN break and delimiter detection
- Two interrupt vectors:
  - Transmitter interrupt
  - Receiver interrupt
- Reduced power consumption mode
- Wakeup from mute mode (by idle line detection or address mark detection)
- Two receiver wakeup modes:
  - Address bit (MSB)
  - Idle line

## 5.9.2 Universal asynchronous receiver/transmitter with LIN support (LINUART)

The devices covered by this datasheet contain one LINUART interface. The interface is available on all the supported packages. The LINUART is an asynchronous serial communication interface which supports extensive LIN functions tailored for LIN slave applications. In LIN mode it is compliant to the LIN standards rev 1.2 to rev 2.2.

Detailed feature list:

### LIN mode

#### Master mode

- LIN break and delimiter generation
- LIN break and delimiter detection with separate flag and interrupt source for read back checking.

#### Slave mode

- Autonomous header handling – one single interrupt per valid header
- Mute mode to filter responses
- Identifier parity error checking
- LIN automatic resynchronization, allowing operation with internal RC oscillator (HSI) clock source
- Break detection at any time, even during a byte reception
- Header errors detection:
  - Delimiter too short
  - Synch field error
  - Deviation error (if automatic resynchronization is enabled)
  - Framing error in synch field or identifier field
  - Header time-out

### UART mode

- Full duplex, asynchronous communications - NRZ standard format (mark/space)
- High-precision baud rate generator
  - A common programmable transmit and receive baud rates up to  $f_{\text{MASTER}}/16$
- Programmable data word length (8 or 9 bits) – 1 or 2 stop bits – parity control
- Separate enable bits for transmitter and receiver
- Error detection flags
- Reduced power consumption mode
- Multi-processor communication - enter mute mode if address match does not occur
- Wakeup from mute mode (by idle line detection or address mark detection)
- Two receiver wakeup modes:
  - Address bit (MSB)
  - Idle line

### 5.9.3 Serial peripheral interface (SPI)

The devices covered by this datasheet contain one SPI. The SPI is available on all the supported packages.

- Maximum speed: 10 Mbit/s or  $f_{\text{MASTER}}/2$  for master, 8 Mbit/s or  $f_{\text{MASTER}}/2$  for slave
- Full duplex synchronous transfers
- Simplex synchronous transfers on two lines with a possible bidirectional data line
- Master or slave operation - selectable by hardware or software
- CRC calculation
- 1 byte Tx and Rx buffer
- Slave mode/master mode management by hardware or software for both master and slave
- Programmable clock polarity and phase
- Programmable data order with MSB-first or LSB-first shifting
- Dedicated transmission and reception flags with interrupt capability
- SPI bus busy status flag
- Hardware CRC feature for reliable communication:
  - CRC value can be transmitted as last byte in Tx mode
  - CRC error checking for last received byte

### 5.9.4 Inter integrated circuit (I<sup>2</sup>C) interface

The devices covered by this datasheet contain one I<sup>2</sup>C interface. The interface is available on all the supported packages.

- I<sup>2</sup>C master features:
  - Clock generation
  - Start and stop generation
- I<sup>2</sup>C slave features:
  - Programmable I<sup>2</sup>C address detection
  - Stop bit detection
- Generation and detection of 7-bit/10-bit addressing and general call
- Supports different communication speeds:
  - Standard speed (up to 100 kHz),
  - Fast speed (up to 400 kHz)
- Status flags:
  - Transmitter/receiver mode flag
  - End-of-byte transmission flag
  - I<sup>2</sup>C busy flag
- Error flags:
  - Arbitration lost condition for master mode
  - Acknowledgement failure after address/data transmission
  - Detection of misplaced start or stop condition
  - Overrun/underrun if clock stretching is disabled

- Interrupt:
  - Successful address/data communication
  - Error condition
  - Wakeup from Halt
- Wakeup from Halt on address detection in slave mode

### 5.9.5 Controller area network interface (beCAN)

The beCAN controller (basic enhanced CAN), interfaces the CAN network and supports the CAN protocol version 2.0A and B. It is equipped with a receive FIFO and a very versatile filter bank. Together with a filter match index, this allows a very efficient message handling in today's car network architectures. The CPU is significantly unloaded. The maximum transmission speed is 1 Mbit/s.

#### Transmission

- Three transmit mailboxes
- Configurable transmit priority by identifier or order request

#### Reception

- 11- and 29-bit ID
- 1 receive FIFO (3 messages deep)
- Software-efficient mailbox mapping at a unique address space
- FMI (filter match index) stored with message for quick message association
- Configurable FIFO overrun
- Time stamp on SOF reception
- 6 filter banks, 2 x 32 bytes (scalable to 4 x 16-bit) each, enabling various masking configurations, such as 12 filters for 29-bit ID or 48 filters for 11-bit ID.
- Filtering modes (mixable):
  - Mask mode permitting ID range filtering
  - ID list mode

#### Interrupt management

- Maskable interrupt
- Software-efficient mailbox mapping at a unique address space

## 5.10 Input/output specifications

The product features four I/O types:

- Standard I/O 2 MHz
- Fast I/O up to 10 MHz
- High sink 8 mA, 2 MHz
- True open drain (I<sup>2</sup>C interface)

To decrease EMI (electromagnetic interference), high sink I/Os have a limited maximum slew rate. The rise and fall times are similar to those of standard I/Os.

The analog inputs are equipped with a low leakage analog switch. Additionally, the schmitt-trigger input stage on the analog I/Os can be disabled in order to reduce the device standby consumption.

STM8A I/Os are designed to withstand current injection. For a negative injection current of 4 mA, the resulting leakage current in the adjacent input does not exceed 1  $\mu$ A. Thanks to this feature, external protection diodes against current injection are no longer required.

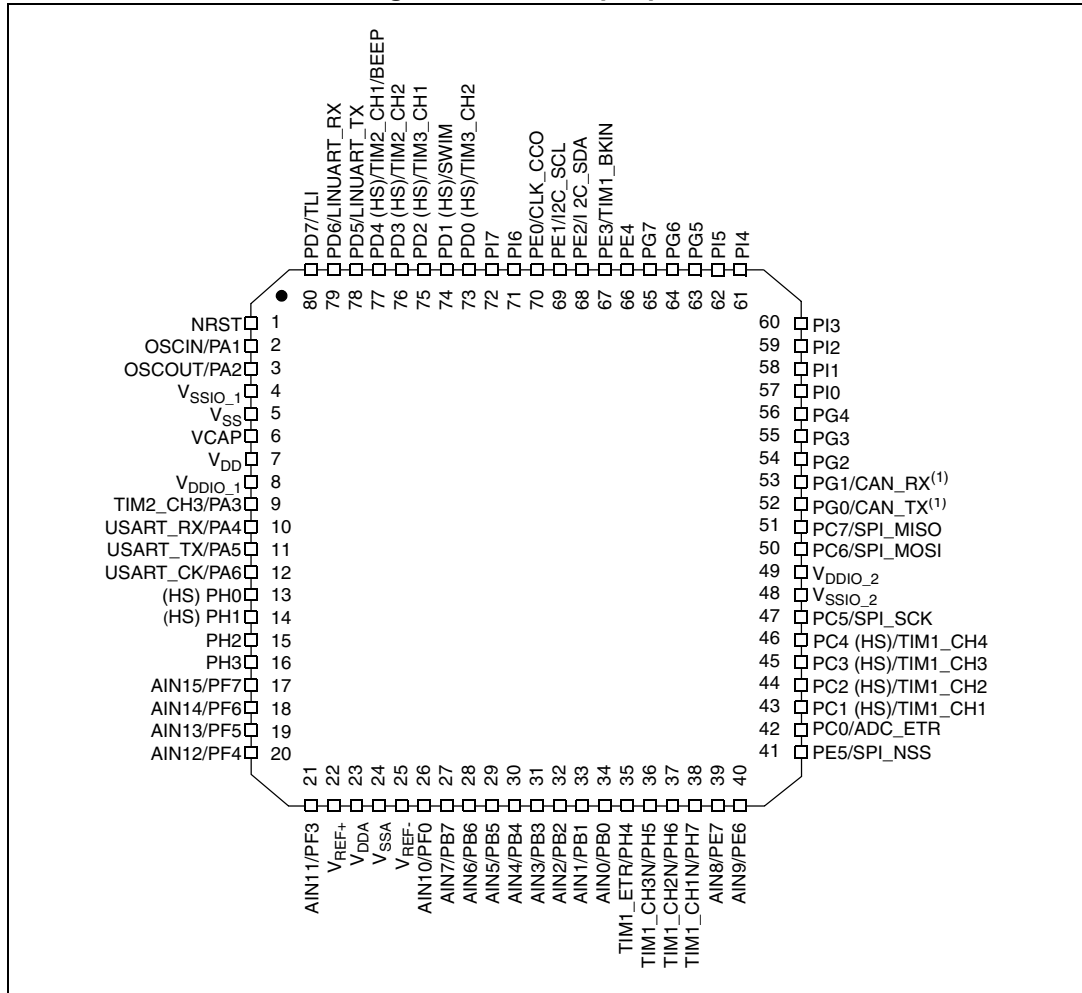
**Caution:** In STM8AF5286UC device, the following I/O ports are not automatically configured by hardware: PA3, PA4, PA5, PA6, PF4, PB6, PB7, PE0, PE1, PE2, PE3, PE6, PE7. As a consequence, they must be put into one of the following configurations by software:

- configured as input with internal pull-up/down resistor,
- configured as output push-pull low.

# 6 Pinouts and pin description

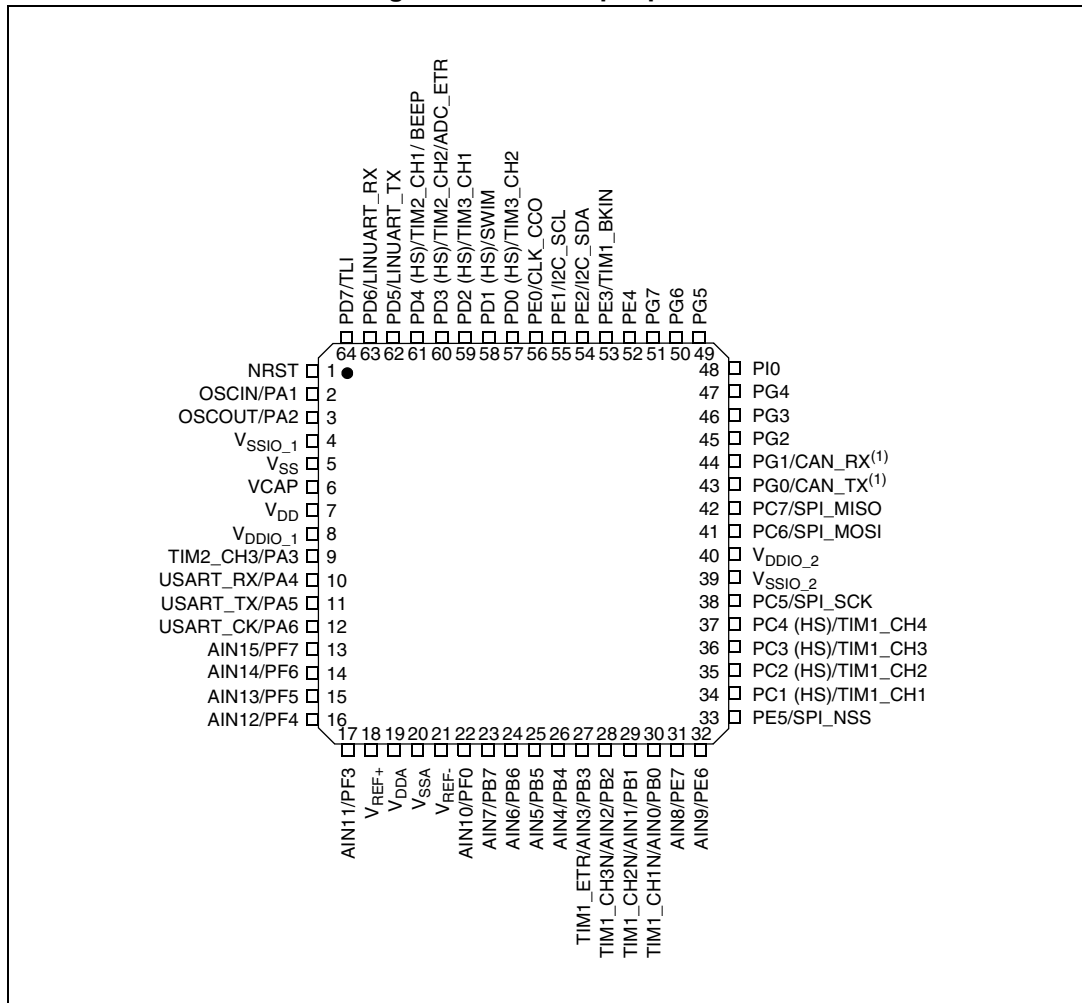
## 6.1 Package pinouts

Figure 3. LQFP 80-pin pinout



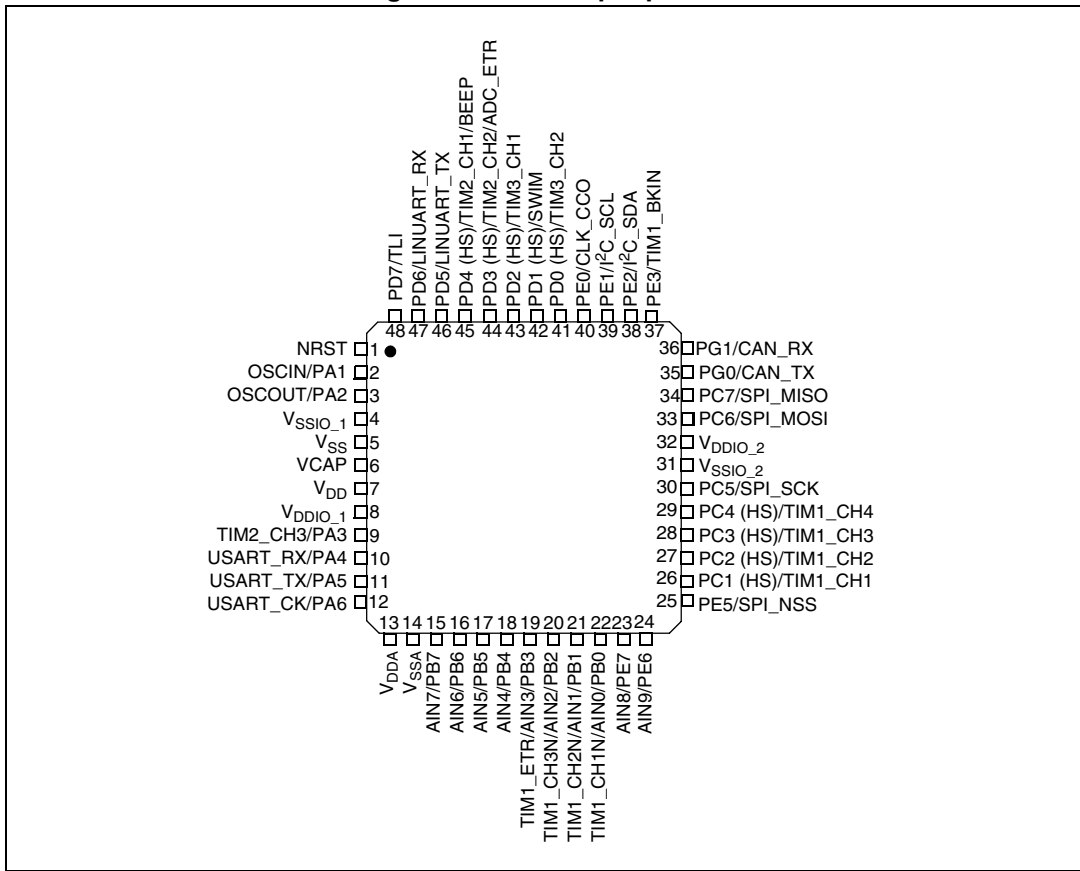
1. The CAN interface is only available on STM8AF52xx product lines.
2. (HS) stands for high sink capability.

Figure 4. LQFP 64-pin pinout



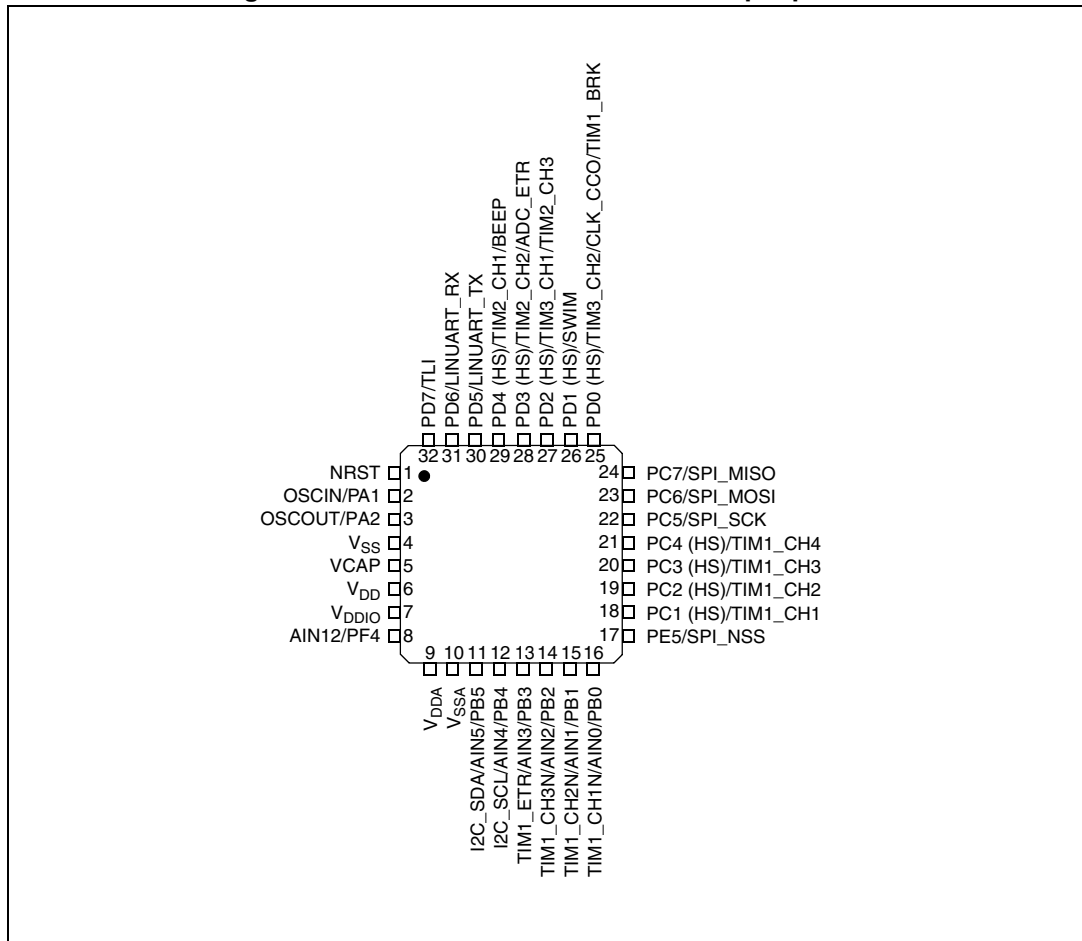
1. The CAN interface is only available on STM8AF52xx product lines.
2. HS stands for high sink capability.

Figure 5. LQFP 48-pin pinout



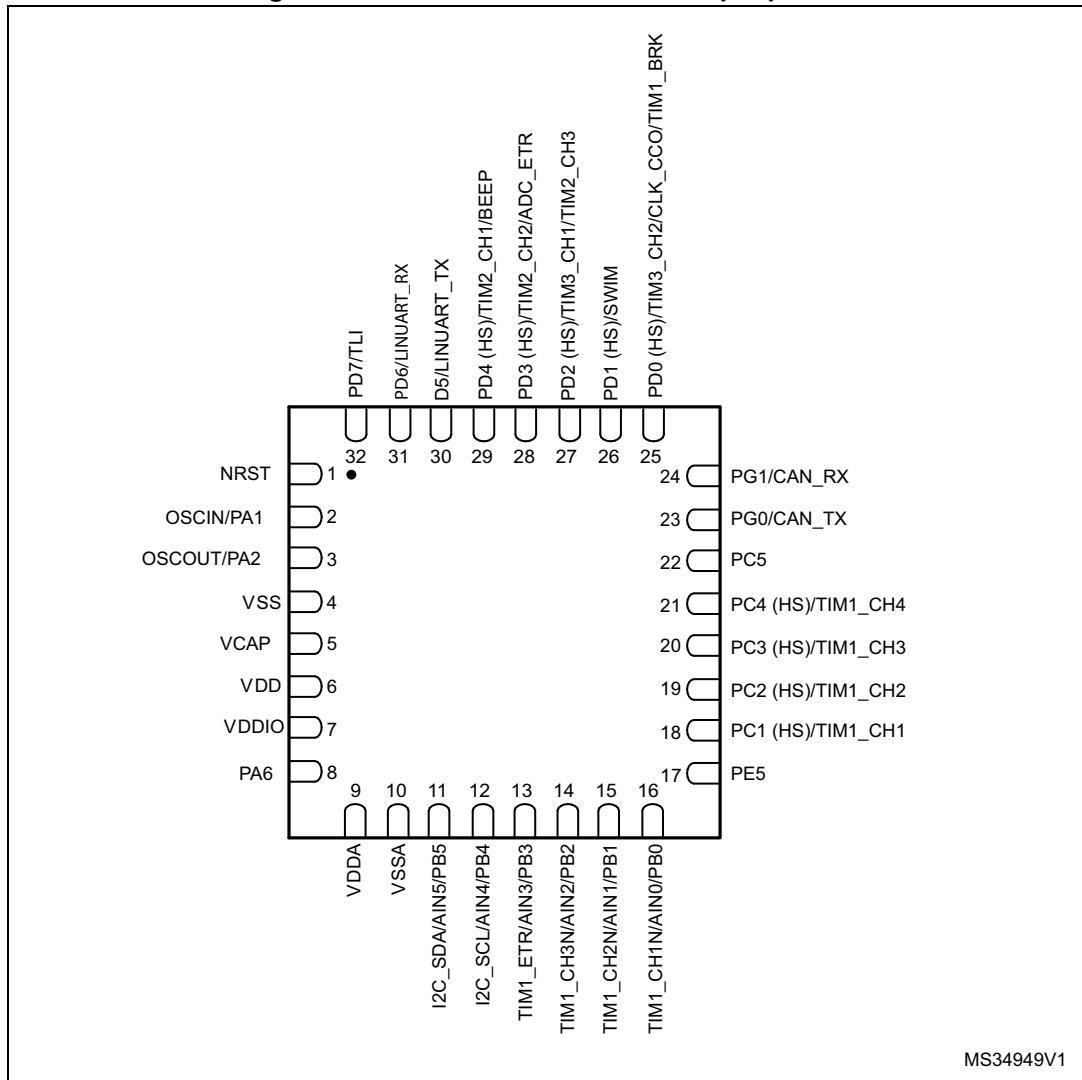
1. The CAN interface is only available on STM8AF52xx product lines.
2. HS stands for high sink capability.

Figure 6. STM8AF62xx LQFP/VFQFPN 32-pin pinout



1. HS stands for high sink capability.

Figure 7. STM8AF52x6 VFQFPN32 32-pin pinout



MS34949V1

1. The following I/O ports are not automatically configured by hardware: PA3, PA4, PA5, PA6, PF4, PB6, PB7, PE0, PE1, PE2, PE3, PE6, PE7. As a consequence, they must be put into one of the following configurations by software:
  - configured as input with internal pull-up/down resistor,
  - configured as output push-pull low.
2. HS stands for high sink capability.

**Table 10. Legend/abbreviation for the pin description table**

Type	I= input, O = output, S = power supply	
Level	Input	CM = CMOS (standard for all I/Os)
	Output	HS = high sink (8 mA)
Output speed	O1 = Standard (up to 2 MHz) O2 = Fast (up to 10 MHz) O3 = Fast/slow programmability with slow as default state after reset O4 = Fast/slow programmability with fast as default state after reset	
Port and control configuration	Input	float = floating, wpu = weak pull-up
	Output	T = true open drain, OD = open drain, PP = push pull
Reset state	Bold X (pin state after reset release). Unless otherwise specified, the pin state is the same during the reset phase (i.e. "under reset") and after internal reset release (i.e. at reset state).	

Table 11. STM8AF526x/8x/Ax and STM8AF6269/8x/Ax pin description

Pin number					Pin name	Type	Input				Output			Main function (after reset)	Default alternate function	Alternate function after remap [option bit]
LQFP80	LQFP64	LQFP48	STM8AF62xx LQFP32/VFQFPN32	STM8AF52x6 VFQFPN32			Floating	Wpu	Ext. interrupt	High sink	Speed	OD	PP			
1	1	1	1	1	NRST	I/O	-	X	-	-	-	-	Reset		-	
2	2	2	2	2	PA1/OSCIN <sup>(1)</sup>	I/O	X	X	-	-	O1	X	X	Port A1	Resonator/crystal in	-
3	3	3	3	3	PA2/OSCOOUT	I/O	X	X	X	-	O1	X	X	Port A2	Resonator/crystal out	-
4	4	4	-	-	V <sub>SSIO_1</sub>	S	-	-	-	-	-	-	-	I/O ground		-
5	5	5	4	4	V <sub>SS</sub>	S	-	-	-	-	-	-	-	Digital ground		-
6	6	6	5	5	VCAP	S	-	-	-	-	-	-	-	1.8 V regulator capacitor		-
7	7	7	6	6	V <sub>DD</sub>	S	-	-	-	-	-	-	-	Digital power supply		-
8	8	8	7	7	V <sub>DDIO_1</sub>	S	-	-	-	-	-	-	-	I/O power supply		-
9	9	9	-	-	PA3/TIM2_CH3	I/O	X	X	X	-	O1	X	X	Port A3	Timer 2 - channel 3	TIM3_CH1 [AFR1]
10	10	10	-	-	PA4/USART_RX	I/O	X	X	X	-	O3	X	X	Port A4	USART receive	-
11	11	11	-	-	PA5/USART_TX	I/O	X	X	X	-	O3	X	X	Port A5	USART transmit	-
12	12	12	-	8	PA6/USART_CK <sup>(2)</sup>	I/O	X	X	X	-	O3	X	X	Port A6	USART synchronous clock	-
13	-	-	-	-	PH0	I/O	X	X	-	HS	O3	X	X	Port H0	-	-
14	-	-	-	-	PH1	I/O	X	X	-	HS	O3	X	X	Port H1	-	-
15	-	-	-	-	PH2	I/O	X	X	-	-	O1	X	X	Port H2	-	-
16	-	-	-	-	PH3	I/O	X	X	-	-	O1	X	X	Port H3	-	-
17	13	-	-	-	PF7/AIN15	I/O	X	X	-	-	O1	X	X	Port F7	Analog input 15	-
18	14	-	-	-	PF6/AIN14	I/O	X	X	-	-	O1	X	X	Port F6	Analog input 14	-
19	15	-	-	-	PF5/AIN13	I/O	X	X	-	-	O1	X	X	Port F5	Analog input 13	-
20	16	-	8	-	PF4/AIN12	I/O	X	X	-	-	O1	X	X	Port F4	Analog input 12	-
21	17	-	-	-	PF3/AIN11	I/O	X	X	-	-	O1	X	X	Port F3	Analog input 11	-



Table 11. STM8AF526x/8x/Ax and STM8AF6269/8x/Ax pin description (continued)

Pin number					Pin name	Type	Input				Output			Main function (after reset)	Default alternate function	Alternate function after remap [option bit]
LQFP80	LQFP64	LQFP48	STM8AF62xx LQFP32/VQFPN32	STM8AF52x6 VQFPN32			Floating	Wpu	Ext. interrupt	High sink	Speed	OD	PP			
22	18	-	-	-	V <sub>REF+</sub>	S	-	-	-	-	-	-	ADC positive reference voltage	-	-	
23	19	13	9	9	V <sub>DDA</sub>	S	-	-	-	-	-	-	Analog power supply	-	-	
24	20	14	10	10	V <sub>SSA</sub>	S	-	-	-	-	-	-	Analog ground	-	-	
25	21	-	-	-	V <sub>REF-</sub>	S	-	-	-	-	-	-	ADC negative reference voltage	-	-	
26	22	-	-	-	PF0/AIN10	I/O	X	X	-	O1	X	X	<b>Port F0</b>	Analog input 10	-	
27	23	15	-	-	PB7/AIN7	I/O	X	X	X	O1	X	X	<b>Port B7</b>	Analog input 7	-	
28	24	16	-	-	PB6/AIN6	I/O	X	X	X	O1	X	X	<b>Port B6</b>	Analog input 6	-	
29	25	17	11	11	PB5/AIN5	I/O	X	X	X	O1	X	X	<b>Port B5</b>	Analog input 5	I <sup>2</sup> C_SDA [AFR6]	
30	26	18	12	12	PB4/AIN4	I/O	X	X	X	O1	X	X	<b>Port B4</b>	Analog input 4	I <sup>2</sup> C_SCL [AFR6]	
31	27	19	13	13	PB3/AIN3	I/O	X	X	X	O1	X	X	<b>Port B3</b>	Analog input 3	TIM1_ETR [AFR5]	
32	28	20	14	14	PB2/AIN2	I/O	X	X	X	O1	X	X	<b>Port B2</b>	Analog input	TIM1_CH3N [AFR5]	
33	29	21	15	15	PB1/AIN1	I/O	X	X	X	O1	X	X	<b>Port B1</b>	Analog input 1	TIM1_CH2N [AFR5]	
34	30	22	16	16	PB0/AIN0	I/O	X	X	X	O1	X	X	<b>Port B0</b>	Analog input 0	TIM1_CH1N [AFR5]	
35	-	-	-	-	PH4/TIM1_ETR	I/O	X	X	-	O1	X	X	<b>Port H4</b>	Timer 1 - trigger input	-	
36	-	-	-	-	PH5/TIM1_CH3N	I/O	X	X	-	O1	X	X	<b>Port H5</b>	Timer 1 - inverted channel 3	-	
37	-	-	-	-	PH6/TIM1_CH2N	I/O	X	X	-	O1	X	X	<b>Port H6</b>	Timer 1 - inverted channel 2	-	

Table 11. STM8AF526x/8x/Ax and STM8AF6269/8x/Ax pin description (continued)

Pin number					Pin name	Type	Input				Output			Main function (after reset)	Default alternate function	Alternate function after remap [option bit]
LQFP80	LQFP64	LQFP48	STM8AF62xx LQFP32/VQFPN32	STM8AF52x6 VQFPN32			Floating	Wpu	Ext. interrupt	High sink	Speed	OD	PP			
38	-	-	-	-	PH7/TIM1_CH1N	I/O	X	X	-	-	O1	X	X	Port H7	Timer 1 - inverted channel 2	-
39	31	23	-	-	PE7/AIN8	I/O	X	X	-	-	O1	X	X	Port E7	Analog input 8	-
40	32	24			PE6/AIN9	I/O	X	X	X	-	O1	X	X	Port E6	Analog input 9	-
41	33	25	17	17	PE5/SPI_NSS <sup>(2)</sup>	I/O	X	X	X	-	O1	X	X	Port E5	SPI master/slave select	-
42	-	-	-	-	PC0/ADC_ETR	I/O	X	X	X	-	O1	X	X	Port C0	ADC trigger input	-
43	34	26	18	18	PC1/TIM1_CH1	I/O	X	X	X	HS	O3	X	X	Port C1	Timer 1 - channel 1	-
44	35	27	19	19	PC2/TIM1_CH2	I/O	X	X	X	HS	O3	X	X	Port C2	Timer 1 - channel 2	-
45	36	28	20	20	PC3/TIM1_CH3	I/O	X	X	X	HS	O3	X	X	Port C3	Timer 1 - channel 3	-
46	37	29	21	21	PC4/TIM1_CH4	I/O	X	X	X	HS	O3	X	X	Port C4	Timer 1 - channel 4	-
47	38	30	22	22	PC5/SPI_SCK <sup>(2)</sup>	I/O	X	X	X	-	O3	X	X	Port C5	SPI clock	-
48	39	31	-	-	V <sub>SSIO_2</sub>	S	-	-	-	-	-	-	-	I/O ground		-
49	40	32	-	-	V <sub>DDIO_2</sub>	S	-	-	-	-	-	-	-	I/O power supply		-
50	41	33	23	-	PC6/SPI_MOSI <sup>(2)</sup>	I/O	X	X	X	-	O3	X	X	Port C6	SPI master out/slave in	-
51	42	34	24	-	PC7/SPI_MISO <sup>(2)</sup>	I/O	X	X	X	-	O3	X	X	Port C7	SPI master in/slave out	-
52	43	35	-	23	PG0/CAN_TX	I/O	X	X	-	-	O1	X	X	Port G0	CAN transmit	-
53	44	36	-	24	PG1/CAN_RX	I/O	X	X	-	-	O1	X	X	Port G1	CAN receive	-
54	45	-	-	-	PG2	I/O	X	X	-	-	O1	X	X	Port G2	-	-

Table 11. STM8AF526x/8x/Ax and STM8AF6269/8x/Ax pin description (continued)

Pin number					Pin name	Type	Input				Output			Main function (after reset)	Default alternate function	Alternate function after remap [option bit]
LQFP80	LQFP64	LQFP48	STM8AF62xx LQFP32/VQFPN32	STM8AF52x6 VQFPN32			Floating	Wpu	Ext. interrupt	High sink	Speed	OD	PP			
55	46	-	-	-	PG3	I/O	X	X	-	-	O1	X	X	Port G3	-	-
56	47	-	-	-	PG4	I/O	X	X	-	-	O1	X	X	Port G4	-	-
57	48	-	-	-	PI0	I/O	X	X	-	-	O1	X	X	Port I0	-	-
58	-	-	-	-	PI1	I/O	X	X	-	-	O1	X	X	Port I1	-	-
59	-	-	-	-	PI2	I/O	X	X	-	-	O1	X	X	Port I2	-	-
60	-	-	-	-	PI3	I/O	X	X	-	-	O1	X	X	Port I3	-	-
61	-	-	-	-	PI4	I/O	X	X	-	-	O1	X	X	Port I4	-	-
62	-	-	-	-	PI5	I/O	X	X	-	-	O1	X	X	Port I5	-	-
63	49	-	-	-	PG5	I/O	X	X	-	-	O1	X	X	Port G5	-	-
64	50	-	-	-	PG6	I/O	X	X	-	-	O1	X	X	Port G6	-	-
65	51	-	-	-	PG7	I/O	X	X	-	-	O1	X	X	Port G7	-	-
66	52	-	-	-	PE4	I/O	X	X	X	-	O1	X	X	Port E4	-	-
67	53	37	-	-	PE3/TIM1_BKIN	I/O	X	X	X	-	O1	X	X	Port E3	Timer 1 - break input	-
68	54	38	-	-	PE2/I <sup>2</sup> C_SDA	I/O	X	-	X	-	O1	T <sup>(3)</sup>	-	Port E2	I <sup>2</sup> C data	-
69	55	39	-	-	PE1/I <sup>2</sup> C_SCL	I/O	X	-	X	-	O1	T <sup>(3)</sup>	-	Port E1	I <sup>2</sup> C clock	-
70	56	40	-	-	PE0/CLK_CCO	I/O	X	X	X	-	O3	X	X	Port E0	Configurable clock output	-
71	-	-	-	-	PI6	I/O	X	X	-	-	O1	X	X	Port I6	-	-
72	-	-	-	-	PI7	I/O	X	X	-	-	O1	X	X	Port I7	-	-
73	57	41	25	25	PD0/TIM3_CH2	I/O	X	X	X	HS	O3	X	X	Port D0	Timer 3 - channel 2	TIM1_BKIN [AFR3]/ CLK_CCO [AFR2]
74	58	42	26	26	PD1/SWIM <sup>(4)</sup>	I/O	X	X	X	HS	O4	X	X	Port D1	SWIM data interface	-
75	59	43	27	27	PD2/TIM3_CH1	I/O	X	X	X	HS	O3	X	X	Port D2	Timer 3 - channel 1	TIM2_CH3 [AFR1]
76	60	44	28	28	PD3/TIM2_CH2	I/O	X	X	X	HS	O3	X	X	Port D3	Timer 2 - channel 2	ADC_ETR [AFR0]
77	61	45	29	29	PD4/TIM2_CH1/ BEEP	I/O	X	X	X	HS	O3	X	X	Port D4	Timer 2 - channel 1	BEEP output [AFR7]

Table 11. STM8AF526x/8x/Ax and STM8AF6269/8x/Ax pin description (continued)

Pin number					Pin name	Type	Input				Output			Main function (after reset)	Default alternate function	Alternate function after remap [option bit]
LQFP80	LQFP64	LQFP48	STM8AF62xx LQFP32/VFQFPN32	STM8AF52x6 VFQFPN32			Floating	Wpu	Ext. interrupt	High sink	Speed	OD	PP			
78	62	46	30	30	PD5/ LINUART_TX	I/O	X	X	X	-	O1	X	X	<b>Port D5</b>	LINUART data transmit	-
79	63	47	31	31	PD6/ LINUART_RX	I/O	X	X	X	-	O1	X	X	<b>Port D6</b>	LINUART data receive	-
80	64	48	32	32	PD7/TLI <sup>(5)</sup>	I/O	X	X	X	-	O1	X	X	<b>Port D7</b>	Top level interrupt	-

- In Halt/Active-halt mode, this pin behaves as follows:
  - The input/output path is disabled.
  - If the HSE clock is used for wakeup, the internal weak pull-up is disabled.
  - If the HSE clock is off, the internal weak pull-up setting is used. It is configured through Px\_CR1[7:0] bits of the corresponding port control register. Px\_CR1[7:0] bits must be set correctly to ensure that the pin is not left floating in Halt/Active-halt mode.
- SPI and USTART are not available in STM8AF5286UC, refer to [Figure 7: STM8AF52x6 VFQFPN32 32-pin pinout](#) for the pin names.
- In the open-drain output column, 'T' defines a true open-drain I/O (P-buffer, weak pull-up and protection diode to V<sub>DD</sub> are not implemented)
- The PD1 pin is in input pull-up during the reset phase and after reset release.
- If this pin is configured as interrupt pin, it will trigger the TLI.

## 6.2 Alternate function remapping

As shown in the rightmost column of [Table 11](#), some alternate functions can be remapped at different I/O ports by programming one of eight AFR (alternate function remap) option bits. Refer to [Section 9: Option bytes on page 54](#). When the remapping option is active, the default alternate function is no longer available.

To use an alternate function, the corresponding peripheral must be enabled in the peripheral registers.

Alternate function remapping does not effect GPIO capabilities of the I/O ports (see the GPIO section of STM8S series and STM8AF series 8-bit microcontrollers reference manual, RM0016).

# 7 Memory and register map

## 7.1 Memory map

Figure 8. Register and memory map

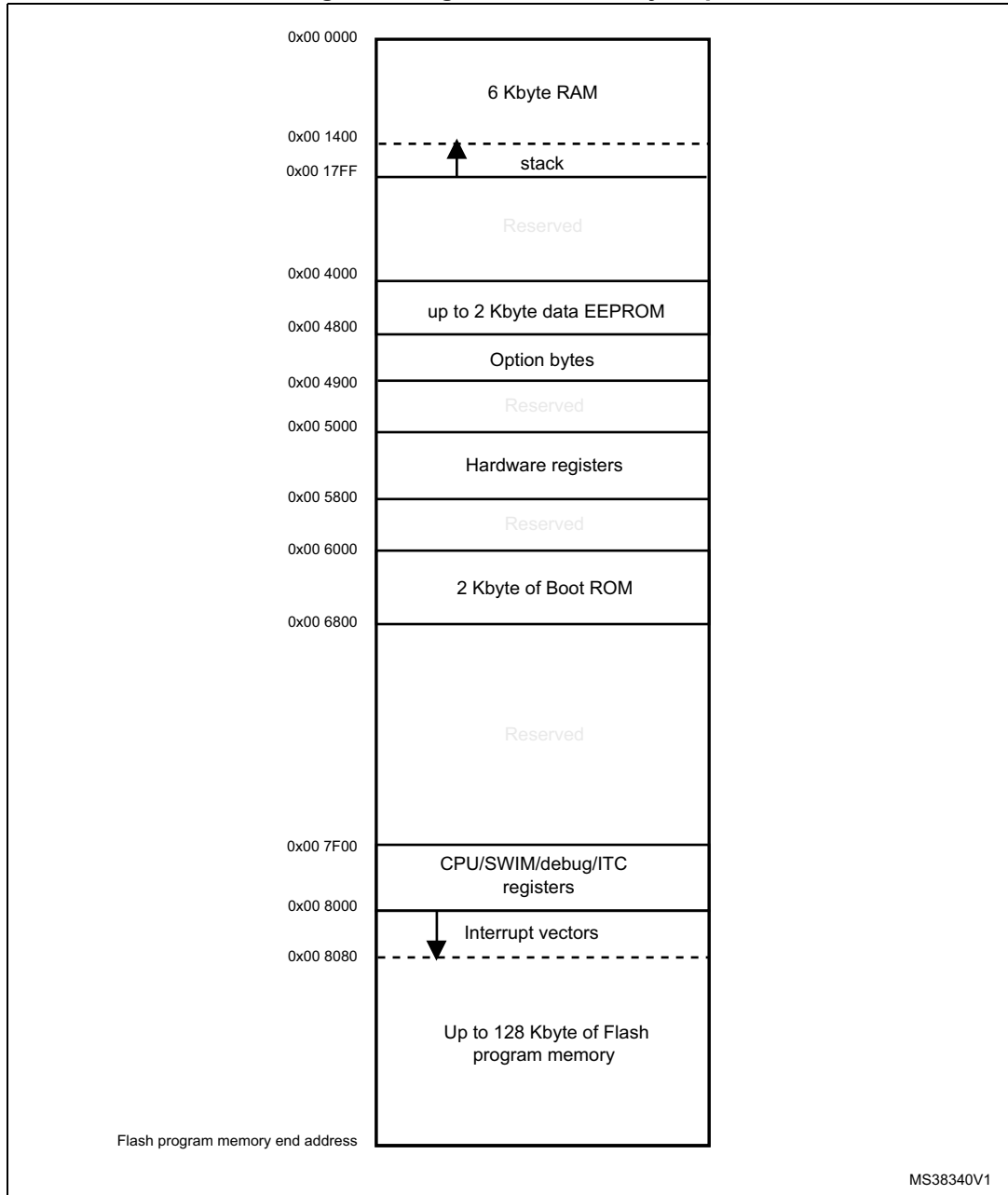


Table 12. Memory model 128K

Flash program memory size	Flash program memory end address	RAM size	RAM end address	Stack roll-over address
128 K	0x00 27FFF	6 K	0x00 17FF	0x00 1400
64 K	0x00 17FFF			
32 K	0x00 0FFFF			

## 7.2 Register map

In this section the memory and register map of the devices covered by this datasheet is described. For a detailed description of the functionality of the registers, refer to STM8S series and STM8AF series 8-bit microcontrollers reference manual, RM0016.

Table 13. I/O port hardware register map

Address	Block	Register label	Register name	Reset status
0x00 5000	Port A	PA_ODR	Port A data output latch register	0x00
0x00 5001		PA_IDR	Port A input pin value register	0xXX <sup>(1)</sup>
0x00 5002		PA_DDR	Port A data direction register	0x00
0x00 5003		PA_CR1	Port A control register 1	0x00
0x00 5004		PA_CR2	Port A control register 2	0x00
0x00 5005	Port B	PB_ODR	Port B data output latch register	0x00
0x00 5006		PB_IDR	Port B input pin value register	0xXX <sup>(1)</sup>
0x00 5007		PB_DDR	Port B data direction register	0x00
0x00 5008		PB_CR1	Port B control register 1	0x00
0x00 5009		PB_CR2	Port B control register 2	0x00
0x00 500A	Port C	PC_ODR	Port C data output latch register	0x00
0x00 500B		PC_IDR	Port C input pin value register	0xXX <sup>(1)</sup>
0x00 500C		PC_DDR	Port C data direction register	0x00
0x00 500D		PC_CR1	Port C control register 1	0x00
0x00 500E		PC_CR2	Port C control register 2	0x00
0x00 500F	Port D	PD_ODR	Port D data output latch register	0x00
0x00 5010		PD_IDR	Port D input pin value register	0xXX <sup>(1)</sup>
0x00 5011		PD_DDR	Port D data direction register	0x00
0x00 5012		PD_CR1	Port D control register 1	0x02
0x00 5013		PD_CR2	Port D control register 2	0x00

Table 13. I/O port hardware register map (continued)

Address	Block	Register label	Register name	Reset status
0x00 5014	Port E	PE_ODR	Port E data output latch register	0x00
0x00 5015		PE_IDR	Port E input pin value register	0xXX <sup>(1)</sup>
0x00 5016		PE_DDR	Port E data direction register	0x00
0x00 5017		PE_CR1	Port E control register 1	0x00
0x00 5018		PE_CR2	Port E control register 2	0x00
0x00 5019	Port F	PF_ODR	Port F data output latch register	0x00
0x00 501A		PF_IDR	Port F input pin value register	0xXX <sup>(1)</sup>
0x00 501B		PF_DDR	Port F data direction register	0x00
0x00 501C		PF_CR1	Port F control register 1	0x00
0x00 501D		PF_CR2	Port F control register 2	0x00
0x00 501E	Port G	PG_ODR	Port G data output latch register	0x00
0x00 501F		PG_IDR	Port G input pin value register	0xXX <sup>(1)</sup>
0x00 5020		PG_DDR	Port G data direction register	0x00
0x00 5021		PG_CR1	Port G control register 1	0x00
0x00 5022		PG_CR2	Port G control register 2	0x00
0x00 5023	Port H	PH_ODR	Port H data output latch register	0x00
0x00 5024		PH_IDR	Port H input pin value register	0xXX <sup>(1)</sup>
0x00 5025		PH_DDR	Port H data direction register	0x00
0x00 5026		PH_CR1	Port H control register 1	0x00
0x00 5027		PH_CR2	Port H control register 2	0x00
0x00 5028	Port I	PI_ODR	Port I data output latch register	0x00
0x00 5029		PI_IDR	Port I input pin value register	0xXX <sup>(1)</sup>
0x00 502A		PI_DDR	Port I data direction register	0x00
0x00 502B		PI_CR1	Port I control register 1	0x00
0x00 502C		PI_CR2	Port I control register 2	0x00

1. Depends on the external circuitry.

**Table 14. General hardware register map**

Address	Block	Register label	Register name	Reset status
0x00 505A	Flash	FLASH_CR1	Flash control register 1	0x00
0x00 505B		FLASH_CR2	Flash control register 2	0x00
0x00 505C		FLASH_NCR2	Flash complementary control register 2	0xFF
0x00 505D		FLASH_FPR	Flash protection register	0x00
0x00 505E		FLASH_NFPR	Flash complementary protection register	0xFF
0x00 505F		FLASH_IAPSR	Flash in-application programming status register	0x40
0x00 5060 to 0x005061	Reserved area (2 bytes)			
0x00 5062	Flash	FLASH_PUKR	Flash Program memory unprotection register	0x00
0x00 5063	Reserved area (1 byte)			
0x00 5064	Flash	FLASH_DUKR	Data EEPROM unprotection register	0x00
0x00 5065 to 0x00 509F	Reserved area (59 bytes)			
0x00 50A0	ITC	EXTI_CR1	External interrupt control register 1	0x00
0x00 50A1		EXTI_CR2	External interrupt control register 2	0x00
0x00 50A2 to 0x00 50B2	Reserved area (17 bytes)			
0x00 50B3	RST	RST_SR	Reset status register	0xXX <sup>(1)</sup>
0x00 50B4 to 0x00 50BF	Reserved area (12 bytes)			
0x00 50C0	CLK	CLK_ICKR	Internal clock control register	0x01
0x00 50C1		CLK_ECKR	External clock control register	0x00
0x00 50C2	Reserved area (1 byte)			

Table 14. General hardware register map (continued)

Address	Block	Register label	Register name	Reset status	
0x00 50C3	CLK	CLK_CMSR	Clock master status register	0xE1	
0x00 50C4		CLK_SWR	Clock master switch register	0xE1	
0x00 50C5		CLK_SWCR	Clock switch control register	0xFF	
0x00 50C6		CLK_CKDIVR	Clock divider register	0x18	
0x00 50C7		CLK_PCKENR1	Peripheral clock gating register 1	0xFF	
0x00 50C8		CLK_CSSR	Clock security system register	0x00	
0x00 50C9		CLK_CCOR	Configurable clock control register	0x00	
0x00 50CA		CLK_PCKENR2	Peripheral clock gating register 2	0xFF	
0x00 50CB		Reserved area (1 byte)			
0x00 50CC		CLK_HSITRIMR	HSI clock calibration trimming register	0x00	
0x00 50CD		CLK_SWIMCCR	SWIM clock control register	0bXXXX XXX0	
0x00 50CE to 0x00 50D0	Reserved area (3 bytes)				
0x00 50D1	WWDG	WWDG_CR	WWDG control register	0x7F	
0x00 50D2		WWDG_WR	WWDG window register	0x7F	
0x00 50D3 to 0x00 50DF	Reserved area (13 bytes)				
0x00 50E0	IWDG	IWDG_KR	IWDG key register	0xFF <sup>(2)</sup>	
0x00 50E1		IWDG_PR	IWDG prescaler register	0x00	
0x00 50E2		IWDG_RLR	IWDG reload register	0xFF	
0x00 50E3 to 0x00 50EF	Reserved area (13 bytes)				
0x00 50F0	AWU	AWU_CSR1	AWU control/status register 1	0x00	
0x00 50F1		AWU_APR	AWU asynchronous prescaler buffer register	0x3F	
0x00 50F2		AWU_TBR	AWU timebase selection register	0x00	
0x00 50F3	BEEP	BEEP_CSR	BEEP control/status register	0x1F	
0x00 50F4 to 0x00 50FF	Reserved area (12 bytes)				

**Table 14. General hardware register map (continued)**

Address	Block	Register label	Register name	Reset status	
0x00 5200	SPI	SPI_CR1	SPI control register 1	0x00	
0x00 5201		SPI_CR2	SPI control register 2	0x00	
0x00 5202		SPI_ICR	SPI interrupt control register	0x00	
0x00 5203		SPI_SR	SPI status register	0x02	
0x00 5204		SPI_DR	SPI data register	0x00	
0x00 5205		SPI_CRCPR	SPI CRC polynomial register	0x07	
0x00 5206		SPI_RXCR	SPI Rx CRC register	0xFF	
0x00 5207		SPI_TXCR	SPI Tx CRC register	0xFF	
0x00 5208 to 0x00 520F	Reserved area (8 bytes)				
0x00 5210	I2C	I2C_CR1	I2C control register 1	0x00	
0x00 5211		I2C_CR2	I2C control register 2	0x00	
0x00 5212		I2C_FREQR	I2C frequency register	0x00	
0x00 5213		I2C_OARL	I2C own address register low	0x00	
0x00 5214		I2C_OARH	I2C own address register high	0x00	
0x00 5215					
0x00 5216		I2C_DR	I2C data register	0x00	
0x00 5217		I2C_SR1	I2C status register 1	0x00	
0x00 5218		I2C_SR2	I2C status register 2	0x00	
0x00 5219		I2C_SR3	I2C status register 3	0x00	
0x00 521A		I2C_ITR	I2C interrupt control register	0x00	
0x00 521B		I2C_CCRL	I2C clock control register low	0x00	
0x00 521C		I2C_CCRH	I2C clock control register high	0x00	
0x00 521D		I2C_TRISER	I2C TRISE register	0x02	
0x00 521E to 0x00 522F	Reserved area (18 bytes)				

Table 14. General hardware register map (continued)

Address	Block	Register label	Register name	Reset status	
0x00 5230	USART	UART1_SR	USART status register	0xC0	
0x00 5231		UART1_DR	USART data register	0xFF	
0x00 5232		UART1_BRR1	USART baud rate register 1	0x00	
0x00 5233		UART1_BRR2	USART baud rate register 2	0x00	
0x00 5234		UART1_CR1	USART control register 1	0x00	
0x00 5235		UART1_CR2	USART control register 2	0x00	
0x00 5236		UART1_CR3	USART control register 3	0x00	
0x00 5237		UART1_CR4	USART control register 4	0x00	
0x00 5238		UART1_CR5	USART control register 5	0x00	
0x00 5239		UART1_GTR	USART guard time register	0x00	
0x00 523A		UART1_PSCR	USART prescaler register	0x00	
0x00 523B to 0x00 523F		Reserved area (5 bytes)			
0x00 5240	LINUART	UART3_SR	LINUART status register	0xC0	
0x00 5241		UART3_DR	LINUART data register	0xFF	
0x00 5242		UART3_BRR1	LINUART baud rate register 1	0x00	
0x00 5243		UART3_BRR2	LINUART baud rate register 2	0x00	
0x00 5244		UART3_CR1	LINUART control register 1	0x00	
0x00 5245		UART3_CR2	LINUART control register 2	0x00	
0x00 5246		UART3_CR3	LINUART control register 3	0x00	
0x00 5247		UART3_CR4	LINUART control register 4	0x00	
0x00 5248		Reserved			
0x00 5249		UART3_CR6	LINUART control register 6	0x00	
0x00 524A to 0x00 524F	Reserved area (6 bytes)				

Table 14. General hardware register map (continued)

Address	Block	Register label	Register name	Reset status
0x00 5250	TIM1	TIM1_CR1	TIM1 control register 1	0x00
0x00 5251		TIM1_CR2	TIM1 control register 2	0x00
0x00 5252		TIM1_SMCR	TIM1 slave mode control register	0x00
0x00 5253		TIM1_ETR	TIM1 external trigger register	0x00
0x00 5254		TIM1_IER	TIM1 Interrupt enable register	0x00
0x00 5255		TIM1_SR1	TIM1 status register 1	0x00
0x00 5256		TIM1_SR2	TIM1 status register 2	0x00
0x00 5257		TIM1_EGR	TIM1 event generation register	0x00
0x00 5258		TIM1_CCMR1	TIM1 capture/compare mode register 1	0x00
0x00 5259		TIM1_CCMR2	TIM1 capture/compare mode register 2	0x00
0x00 525A		TIM1_CCMR3	TIM1 capture/compare mode register 3	0x00
0x00 525B		TIM1_CCMR4	TIM1 capture/compare mode register 4	0x00
0x00 525C		TIM1_CCER1	TIM1 capture/compare enable register 1	0x00
0x00 525D		TIM1_CCER2	TIM1 capture/compare enable register 2	0x00
0x00 525E		TIM1_CNTRH	TIM1 counter high	0x00
0x00 525F		TIM1_CNTRL	TIM1 counter low	0x00
0x00 5260		TIM1_PSCRH	TIM1 prescaler register high	0x00
0x00 5261		TIM1_PSCRL	TIM1 prescaler register low	0x00
0x00 5262		TIM1_ARRH	TIM1 auto-reload register high	0xFF
0x00 5263		TIM1_ARRL	TIM1 auto-reload register low	0xFF
0x00 5264		TIM1_RCR	TIM1 repetition counter register	0x00
0x00 5265		TIM1_CCR1H	TIM1 capture/compare register 1 high	0x00
0x00 5266		TIM1_CCR1L	TIM1 capture/compare register 1 low	0x00
0x00 5267		TIM1_CCR2H	TIM1 capture/compare register 2 high	0x00
0x00 5268		TIM1_CCR2L	TIM1 capture/compare register 2 low	0x00
0x00 5269		TIM1_CCR3H	TIM1 capture/compare register 3 high	0x00
0x00 526A		TIM1_CCR3L	TIM1 capture/compare register 3 low	0x00
0x00 526B		TIM1_CCR4H	TIM1 capture/compare register 4 high	0x00
0x00 526C		TIM1_CCR4L	TIM1 capture/compare register 4 low	0x00
0x00 526D		TIM1_BKR	TIM1 break register	0x00
0x00 526E		TIM1_DTR	TIM1 dead-time register	0x00
0x00 526F		TIM1_OISR	TIM1 output idle state register	0x00
0x00 5270 to 0x00 52FF	Reserved area (147 bytes)			

Table 14. General hardware register map (continued)

Address	Block	Register label	Register name	Reset status
0x00 5300	TIM2	TIM2_CR1	TIM2 control register 1	0x00
0x00 5301		TIM2_IER	TIM2 interrupt enable register	0x00
0x00 5302		TIM2_SR1	TIM2 status register 1	0x00
0x00 5303		TIM2_SR2	TIM2 status register 2	0x00
0x00 5304		TIM2_EGR	TIM2 event generation register	0x00
0x00 5305		TIM2_CCMR1	TIM2 capture/compare mode register 1	0x00
0x00 5306		TIM2_CCMR2	TIM2 capture/compare mode register 2	0x00
0x00 5307		TIM2_CCMR3	TIM2 capture/compare mode register 3	0x00
0x00 5308		TIM2_CCER1	TIM2 capture/compare enable register 1	0x00
0x00 5309		TIM2_CCER2	TIM2 capture/compare enable register 2	0x00
0x00 530A		TIM2_CNTRH	TIM2 counter high	0x00
0x00 530B		TIM2_CNTRL	TIM2 counter low	0x00
00 530C0x		TIM2_PSCR	TIM2 prescaler register	0x00
0x00 530D		TIM2_ARRH	TIM2 auto-reload register high	0xFF
0x00 530E		TIM2_ARRL	TIM2 auto-reload register low	0xFF
0x00 530F		TIM2_CCR1H	TIM2 capture/compare register 1 high	0x00
0x00 5310		TIM2_CCR1L	TIM2 capture/compare register 1 low	0x00
0x00 5311		TIM2_CCR2H	TIM2 capture/compare reg. 2 high	0x00
0x00 5312		TIM2_CCR2L	TIM2 capture/compare register 2 low	0x00
0x00 5313		TIM2_CCR3H	TIM2 capture/compare register 3 high	0x00
0x00 5314	TIM2_CCR3L	TIM2 capture/compare register 3 low	0x00	
0x00 5315 to 0x00 531F	Reserved area (11 bytes)			

**Table 14. General hardware register map (continued)**

Address	Block	Register label	Register name	Reset status
0x00 5320	TIM3	TIM3_CR1	TIM3 control register 1	0x00
0x00 5321		TIM3_IER	TIM3 interrupt enable register	0x00
0x00 5322		TIM3_SR1	TIM3 status register 1	0x00
0x00 5323		TIM3_SR2	TIM3 status register 2	0x00
0x00 5324		TIM3_EGR	TIM3 event generation register	0x00
0x00 5325		TIM3_CCMR1	TIM3 capture/compare mode register 1	0x00
0x00 5326		TIM3_CCMR2	TIM3 capture/compare mode register 2	0x00
0x00 5327		TIM3_CCER1	TIM3 capture/compare enable register 1	0x00
0x00 5328		TIM3_CNTRH	TIM3 counter high	0x00
0x00 5329		TIM3_CNTRL	TIM3 counter low	0x00
0x00 532A		TIM3_PSCR	TIM3 prescaler register	0x00
0x00 532B		TIM3_ARRH	TIM3 auto-reload register high	0xFF
0x00 532C		TIM3_ARRL	TIM3 auto-reload register low	0xFF
0x00 532D		TIM3_CCR1H	TIM3 capture/compare register 1 high	0x00
0x00 532E		TIM3_CCR1L	TIM3 capture/compare register 1 low	0x00
0x00 532F		TIM3_CCR2H	TIM3 capture/compare register 2 high	0x00
0x00 5330		TIM3_CCR2L	TIM3 capture/compare register 2 low	0x00
0x00 5331 to 0x00 533F		Reserved area (15 bytes)		
0x00 5340	TIM4	TIM4_CR1	TIM4 control register 1	0x00
0x00 5341		TIM4_IER	TIM4 interrupt enable register	0x00
0x00 5342		TIM4_SR	TIM4 status register	0x00
0x00 5343		TIM4_EGR	TIM4 event generation register	0x00
0x00 5344		TIM4_CNTR	TIM4 counter	0x00
0x00 5345		TIM4_PSCR	TIM4 prescaler register	0x00
0x00 5346		TIM4_ARR	TIM4 auto-reload register	0xFF
0x00 5347 to 0x00 53FF	Reserved area (185 bytes)			

Table 14. General hardware register map (continued)

Address	Block	Register label	Register name	Reset status
0x00 5400	ADC	ADC_CSR	ADC control/status register	0x00
0x00 5401		ADC_CR1	ADC configuration register 1	0x00
0x00 5402		ADC_CR2	ADC configuration register 2	0x00
0x00 5403		ADC_CR3	ADC configuration register 3	0x00
0x00 5404		ADC_DRH	ADC data register high	0xXX
0x00 5405		ADC_DRL	ADC data register low	0xXX
0x00 5406		ADC_TDRH	ADC Schmitt trigger disable register high	0x00
0x00 5407		ADC_TDRL	ADC Schmitt trigger disable register low	0x00
0x00 5408 to 0x00 541F	Reserved area (24 bytes)			
0x00 5420	beCAN	CAN_MCR	CAN master control register	0x02
0x00 5421		CAN_MSR	CAN master status register	0x02
0x00 5422		CAN_TSR	CAN transmit status register	0x00
0x00 5423		CAN_TPR	CAN transmit priority register	0x0C
0x00 5424		CAN_RFR	CAN receive FIFO register	0x00
0x00 5425		CAN_IER	CAN interrupt enable register	0x00
0x00 5426		CAN_DGR	CAN diagnosis register	0x0C
0x00 5427		CAN_FPSR	CAN page selection register	0x00
0x00 5428		CAN_P0	CAN paged register 0	0xXX <sup>(3)</sup>
0x00 5429		CAN_P1	CAN paged register 1	0xXX <sup>(3)</sup>
0x00 542A		CAN_P2	CAN paged register 2	0xXX <sup>(3)</sup>
0x00 542B		CAN_P3	CAN paged register 3	0xXX <sup>(3)</sup>
0x00 542C		CAN_P4	CAN paged register 4	0xXX <sup>(3)</sup>
0x00 542D		CAN_P5	CAN paged register 5	0xXX <sup>(3)</sup>
0x00 542E		CAN_P6	CAN paged register 6	0xXX <sup>(3)</sup>
0x00 542F		CAN_P7	CAN paged register 7	0xXX <sup>(3)</sup>
0x00 5430		CAN_P8	CAN paged register 8	0xXX <sup>(3)</sup>
0x00 5431		CAN_P9	CAN paged register 9	0xXX <sup>(3)</sup>
0x00 5432		CAN_PA	CAN paged register A	0xXX <sup>(3)</sup>
0x00 5433		CAN_PB	CAN paged register B	0xXX <sup>(3)</sup>
0x00 5434	CAN_PC	CAN paged register C	0xXX <sup>(3)</sup>	
0x00 5435	CAN_PD	CAN paged register D	0xXX <sup>(3)</sup>	
0x00 5436	CAN_PE	CAN paged register E	0xXX <sup>(3)</sup>	

**Table 14. General hardware register map (continued)**

Address	Block	Register label	Register name	Reset status
0x00 5437	beCAN	CAN_PF	CAN paged register F	0xXX <sup>(3)</sup>
0x00 5438 to 0x00 57FF	Reserved area (968 bytes)			

1. Depends on the previous reset source.
2. Write only register.
3. If the bootloader is enabled, it is initialized to 0x00.

**Table 15. CPU/SWIM/debug module/interrupt controller registers**

Address	Block	Register label	Register name	Reset status
0x00 7F00	CPU <sup>(1)</sup>	A	Accumulator	0x00
0x00 7F01		PCE	Program counter extended	0x00
0x00 7F02		PCH	Program counter high	0x80
0x00 7F03		PCL	Program counter low	0x00
0x00 7F04		XH	X index register high	0x00
0x00 7F05		XL	X index register low	0x00
0x00 7F06		YH	Y index register high	0x00
0x00 7F07		YL	Y index register low	0x00
0x00 7F08		SPH	Stack pointer high	0x17 <sup>(2)</sup>
0x00 7F09		SPL	Stack pointer low	0xFF
0x00 7F0A		CC	Condition code register	0x28
0x00 7F0B to 0x00 7F5F		Reserved area (85 bytes)		
0x00 7F60	CPU	CFG_GCR	Global configuration register	0x00
0x00 7F70	ITC	ITC_SPR1	Interrupt software priority register 1	0xFF
0x00 7F71		ITC_SPR2	Interrupt software priority register 2	0xFF
0x00 7F72		ITC_SPR3	Interrupt software priority register 3	0xFF
0x00 7F73		ITC_SPR4	Interrupt software priority register 4	0xFF
0x00 7F74		ITC_SPR5	Interrupt software priority register 5	0xFF
0x00 7F75		ITC_SPR6	Interrupt software priority register 6	0xFF
0x00 7F76		ITC_SPR7	Interrupt software priority register 7	0xFF
0x00 7F77		ITC_SPR8	Interrupt software priority register 8	0xFF
0x00 7F78 to 0x00 7F79	Reserved area (2 bytes)			
0x00 7F80	SWIM	SWIM_CSR	SWIM control status register	0x00

Table 15. CPU/SWIM/debug module/interrupt controller registers (continued)

Address	Block	Register label	Register name	Reset status
0x00 7F81 to 0x00 7F8F	Reserved area (15 bytes)			
0x00 7F90	DM	DM_BK1RE	DM breakpoint 1 register extended byte	0xFF
0x00 7F91		DM_BK1RH	DM breakpoint 1 register high byte	0xFF
0x00 7F92		DM_BK1RL	DM breakpoint 1 register low byte	0xFF
0x00 7F93		DM_BK2RE	DM breakpoint 2 register extended byte	0xFF
0x00 7F94		DM_BK2RH	DM breakpoint 2 register high byte	0xFF
0x00 7F95		DM_BK2RL	DM breakpoint 2 register low byte	0xFF
0x00 7F96		DM_CR1	DM debug module control register 1	0x00
0x00 7F97		DM_CR2	DM debug module control register 2	0x00
0x00 7F98		DM_CSR1	DM debug module control/status register 1	0x10
0x00 7F99		DM_CSR2	DM debug module control/status register 2	0x00
0x00 7F9A		DM_ENFCTR	DM enable function register	0xFF
0x00 7F9B to 0x00 7F9F		Reserved area (5 bytes)		

1. Accessible by debug module only
2. Product dependent value, see [Figure 8: Register and memory map](#).

Table 16. Temporary memory unprotection registers

Address	Block	Register label	Register name	Reset status
0x00 5800	TMU	TMU_K1	Temporary memory unprotection key register 1	0x00
0x00 5801		TMU_K2	Temporary memory unprotection key register 2	0x00
0x00 5802		TMU_K3	Temporary memory unprotection key register 3	0x00
0x00 5803		TMU_K4	Temporary memory unprotection key register 4	0x00
0x00 5804		TMU_K5	Temporary memory unprotection key register 5	0x00
0x00 5805		TMU_K6	Temporary memory unprotection key register 6	0x00
0x00 5806		TMU_K7	Temporary memory unprotection key register 7	0x00
0x00 5807		TMU_K8	Temporary memory unprotection key register 8	0x00
0x00 5808		TMU_CSR	Temporary memory unprotection control and status register	0x00

## 8 Interrupt table

Table 17. STM8A interrupt table<sup>(1)</sup>

Priority	Source block	Description	Interrupt vector address	Wakeup from Halt	Comments
-	Reset	Reset	0x00 8000	Yes	-
-	TRAP	SW interrupt	0x00 8004	-	-
0	TLI	External top level interrupt	0x00 8008	-	-
1	AWU	Auto-wakeup from Halt	0x00 800C	Yes	-
2	Clock controller	Main clock controller	0x00 8010	-	-
3	MISC	External interrupt E0	0x00 8014	Yes	Port A interrupts
4	MISC	External interrupt E1	0x00 8018	Yes	Port B interrupts
5	MISC	External interrupt E2	0x00 801C	Yes	Port C interrupts
6	MISC	External interrupt E3	0x00 8020	Yes	Port D interrupts
7	MISC	External interrupt E4	0x00 8024	Yes	Port E interrupts
8	CAN	CAN interrupt Rx	0x00 8028	Yes	-
9	CAN	CAN interrupt TX/ER/SC	0x00 802C	-	-
10	SPI	End of transfer	0x00 8030	Yes	-
11	Timer 1	Update/overflow/ trigger/break	0x00 8034	-	-
12	Timer 1	Capture/compare	0x00 8038	-	-
13	Timer 2	Update/overflow	0x00 803C	-	-
14	Timer 2	Capture/compare	0x00 8040	-	-
15	Timer 3	Update/overflow	0x00 8044	-	-
16	Timer 3	Capture/compare	0x00 8048	-	-
17	USART	Tx complete	0x00 804C	-	-
18	USART	Receive data full reg.	0x00 8050	-	-
19	I <sup>2</sup> C	I <sup>2</sup> C interrupts	0x00 8054	Yes	-
20	LINUART	Tx complete/error	0x00 8058	-	-
21	LINUART	Receive data full reg.	0x00 805C	-	-
22	ADC	End of conversion	0x00 8060	-	-
23	Timer 4	Update/overflow	0x00 8064	-	-
24	EEPROM	End of programming/ write in not allowed area	0x00 8068	-	-

1. All unused interrupts must be initialized with 'IRET' for robust programming.

## 9 Option bytes

Option bytes contain configurations for device hardware features as well as the memory protection of the device. They are stored in a dedicated block of the memory. Each option byte has to be stored twice, for redundancy, in a regular form (OPTx) and a complemented one (NOPTx), except for the ROP (read-out protection) option byte and option bytes 8 to 16.

Option bytes can be modified in ICP mode (via SWIM) by accessing the EEPROM address shown in [Table 18: Option bytes](#) below.

Option bytes can also be modified 'on the fly' by the application in IAP mode, except the ROP and UBC options that can only be changed in ICP mode (via SWIM).

Refer to the STM8 Flash programming manual (PM0047) and STM8 SWIM communication protocol and debug module user manual (UM0470) for information on SWIM programming procedures.

**Table 18. Option bytes**

Addr.	Option name	Option byte no.	Option bits								Factory default setting
			7	6	5	4	3	2	1	0	
0x00 4800	Read-out protection (ROP)	OPT0	ROP[7:0]								0x00
0x00 4801	User boot code (UBC)	OPT1	UBC[7:0]								0x00
0x00 4802		NOPT1	NUBC[7:0]								0xFF
0x00 4803	Alternate function remapping (AFR)	OPT2	AFR7	AFR6	AFR5	AFR4	AFR3	AFR2	AFR1	AFR0	0x00
0x00 4804		NOPT2	NAFR7	NAFR6	NAFR5	NAFR4	NAFR3	NAFR2	NAFR1	NAFR0	0xFF
0x00 4805	Watchdog option	OPT3	Reserved				LSI_EN	IWDG_HW	WWDG_HW	WWDG_HALT	0x00
0x00 4806		NOPT3	Reserved				NLSI_EN	NIWDG_HW	NWWDG_HW	NWWDG_HALT	0xFF
0x00 4807	Clock option	OPT4	Reserved				EXT_CLK	CKAW_USEL	PRSC1	PRSC0	0x00
0x00 4808		NOPT4	Reserved				NEXT_CLK	NCKAW_USEL	NPRSC1	NPRSC0	0xFF
0x00 4809	HSE clock startup	OPT5	HSECNT[7:0]								0x00
0x00 480A		NOPT5	NHSECNT[7:0]								0xFF

Table 18. Option bytes (continued)

Addr.	Option name	Option byte no.	Option bits								Factory default setting
			7	6	5	4	3	2	1	0	
0x00 480B	TMU	OPT6	TMU[3:0]								0x00
0x00 480C		NOPT6	NTMU[3:0]								0xFF
0x00 480D	Flash wait states	OPT7	Reserved						WAIT STATE	0x00	
0x00 480E		NOPT7	Reserved						NWAIT STATE	0xFF	
0x00 480F	Reserved										
0x00 4810	TMU	OPT8	TMU_KEY 1 [7:0]								0x00
0x00 4811		OPT9	TMU_KEY 2 [7:0]								0x00
0x00 4812		OPT10	TMU_KEY 3 [7:0]								0x00
0x00 4813		OPT11	TMU_KEY 4 [7:0]								0x00
0x00 4814		OPT12	TMU_KEY 5 [7:0]								0x00
0x00 4815		OPT13	TMU_KEY 6 [7:0]								0x00
0x00 4816		OPT14	TMU_KEY 7 [7:0]								0x00
0x00 4817		OPT15	TMU_KEY 8 [7:0]								0x00
0x00 4818		OPT16	TMU_MAXATT [7:0]								0xC7
0x00 4819 to 487D		Reserved									
0x00 487E	Boot-loader <sup>(1)</sup>	OPT17	BL [7:0]								0x00
0x00 487F		NOPT 17	NBL [7:0]								0xFF

1. This option consists of two bytes that must have a complementary value in order to be valid. If the option is invalid, it has no effect on EMC reset.

Table 19. Option byte description

Option byte no.	Description
OPT0	<p><b>ROP[7:0]: Memory readout protection (ROP)</b>            0xAA: Enable readout protection (write access via SWIM protocol)  <i>Note: Refer to STM8S series and STM8AF series 8-bit microcontrollers reference manual (RM0016) section on Flash/EEPROM memory readout protection for details.</i></p>
OPT1	<p><b>UBC[7:0]: User boot code area</b>            0x00: No UBC, no write-protection            0x01: Page 0 to 1 defined as UBC, memory write-protected            0x02: Page 0 to 3 defined as UBC, memory write-protected            0x03 to 0xFF: Pages 4 to 255 defined as UBC, memory write-protected  <i>Note: Refer to STM8S series and STM8AF series 8-bit microcontrollers reference manual (RM0016) section on Flash/EEPROM write protection for more details.</i></p>
OPT2	<p><b>AFR7: Alternate function remapping option 7</b>            0: Port D4 alternate function = TIM2_CH1            1: Port D4 alternate function = BEEP</p> <p><b>AFR6: Alternate function remapping option 6</b>            0: Port B5 alternate function = AIN5, port B4 alternate function = AIN4            1: Port B5 alternate function = I<sup>2</sup>C_SDA, port B4 alternate function = I<sup>2</sup>C_SCL.</p> <p><b>AFR5: Alternate function remapping option 5</b>            0: Port B3 alternate function = AIN3, port B2 alternate function = AIN2, port B1 alternate function = AIN1, port B0 alternate function = AIN0.            1: Port B3 alternate function = TIM1_ETR, port B2 alternate function = TIM1_CH3N, port B1 alternate function = TIM1_CH2N, port B0 alternate function = TIM1_CH1N.</p> <p><b>AFR4: Alternate function remapping option 4</b>            0: Port D7 alternate function = TLI            1: Reserved</p> <p><b>AFR3: Alternate function remapping option 3</b>            0: Port D0 alternate function = TIM3_CH2            1: Port D0 alternate function = TIM1_BKIN</p> <p><b>AFR2: Alternate function remapping option 2</b>            0: Port D0 alternate function = TIM3_CH2            1: Port D0 alternate function = CLK_CCO  <i>Note: AFR2 option has priority over AFR3 if both are activated</i></p> <p><b>AFR1: Alternate function remapping option 1</b>            0: Port A3 alternate function = TIM2_CH3, port D2 alternate function TIM3_CH1.            1: Port A3 alternate function = TIM3_CH1, port D2 alternate function TIM2_CH3.</p> <p><b>AFR0: Alternate function remapping option 0</b>            0: Port D3 alternate function = TIM2_CH2            1: Port D3 alternate function = ADC_ETR</p>

**Table 19. Option byte description (continued)**

Option byte no.	Description
OPT3	<b>LSI_EN: Low speed internal clock enable</b> 0: LSI clock is not available as CPU clock source 1: LSI clock is available as CPU clock source
	<b>IWDG_HW: Independent watchdog</b> 0: IWDG Independent watchdog activated by software 1: IWDG Independent watchdog activated by hardware
	<b>WWDG_HW: Window watchdog activation</b> 0: WWDG window watchdog activated by software 1: WWDG window watchdog activated by hardware
	<b>WWDG_HALT: Window watchdog reset on Halt</b> 0: No reset generated on Halt if WWDG active 1: Reset generated on Halt if WWDG active
OPT4	<b>EXTCLK: External clock selection</b> 0: External crystal connected to OSCIN/OSCOU 1: External clock signal on OSCIN
	<b>CKAWUSEL: Auto-wakeup unit/clock</b> 0: LSI clock source selected for AWU 1: HSE clock with prescaler selected as clock source for AWU
	<b>PRSC[1:0]: AWU clock prescaler</b> 00: 24 MHz to 128 kHz prescaler 01: 16 MHz to 128 kHz prescaler 10: 8 MHz to 128 kHz prescaler 11: 4 MHz to 128 kHz prescaler
OPT5	<b>HSECNT[7:0]: HSE crystal oscillator stabilization time</b> This configures the stabilization time to 0.5, 8, 128, and 2048 HSE cycles with corresponding option byte values of 0xE1, 0xD2, 0xB4, and 0x00.
OPT6	<b>TMU[3:0]: Enable temporary memory unprotection</b> 0101: TMU disabled (permanent ROP). Any other value: TMU enabled.
OPT7	<b>WAIT STATE: Wait state configuration</b> This option configures the number of wait states inserted when reading from the Flash/data EEPROM memory. 0: No wait state 1: One wait state
OPT8	<b>TMU_KEY 1 [7:0]: Temporary unprotection key 0</b> Temporary unprotection key: Must be different from 0x00 or 0xFF
OPT9	<b>TMU_KEY 2 [7:0]: Temporary unprotection key 1</b> Temporary unprotection key: Must be different from 0x00 or 0xFF
OPT10	<b>TMU_KEY 3 [7:0]: Temporary unprotection key 2</b> Temporary unprotection key: Must be different from 0x00 or 0xFF
OPT11	<b>TMU_KEY 4 [7:0]: Temporary unprotection key 3</b> Temporary unprotection key: Must be different from 0x00 or 0xFF

Table 19. Option byte description (continued)

Option byte no.	Description
OPT12	<b>TMU_KEY 5 [7:0]: Temporary unprotection key 4</b> Temporary unprotection key: Must be different from 0x00 or 0xFF
OPT13	<b>TMU_KEY 6 [7:0]: Temporary unprotection key 5</b> Temporary unprotection key: Must be different from 0x00 or 0xFF
OPT14	<b>TMU_KEY 7 [7:0]: Temporary unprotection key 6</b> Temporary unprotection key: Must be different from 0x00 or 0xFF
OPT15	<b>TMU_KEY 8 [7:0]: Temporary unprotection key 7</b> Temporary unprotection key: Must be different from 0x00 or 0xFF
OPT16	<b>TMU_MAXATT [7:0]: TMU access failure counter</b> TMU_MAXATT can be initialized with the desired value only if TMU is disabled (TMU[3:0]=0101 in OPT6 option byte). When TMU is enabled, any attempt to temporarily remove the readout protection by using wrong key values increments the counter. When the option byte value reaches 0x08, the Flash memory and data EEPROM are erased.
OPT17	<b>BL[7:0]: Bootloader enable</b> If this option byte is set to 0x55 (complementary value 0xAA) the bootloader program is activated also in case of a programmed code memory (for more details, see the bootloader user manual, UM0560).

## 10 Electrical characteristics

### 10.1 Parameter conditions

Unless otherwise specified, all voltages are referred to  $V_{SS}$ .

#### 10.1.1 Minimum and maximum values

Unless otherwise specified the minimum and maximum values are guaranteed in the worst conditions of ambient temperature, supply voltage and frequencies by tests in production on 100% of the devices with an ambient temperature at  $T_A = -40\text{ }^\circ\text{C}$ ,  $T_A = 25\text{ }^\circ\text{C}$ , and  $T_A = T_{Amax}$  (given by the selected temperature range).

Data based on characterization results, design simulation and/or technology characteristics are indicated in the table footnotes and are not tested in production.

#### 10.1.2 Typical values

Unless otherwise specified, typical data are based on  $T_A = 25\text{ }^\circ\text{C}$ ,  $V_{DD} = 5.0\text{ V}$ . They are given only as design guidelines and are not tested.

Typical ADC accuracy values are determined by characterization of a batch of samples from a standard diffusion lot over the full temperature range.

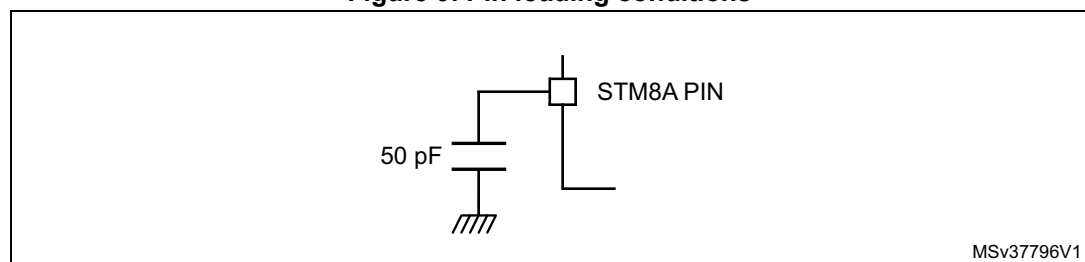
#### 10.1.3 Typical curves

Unless otherwise specified, all typical curves are given only as design guidelines and are not tested.

#### 10.1.4 Loading capacitor

The loading conditions used for pin parameter measurement are shown in [Figure 9](#).

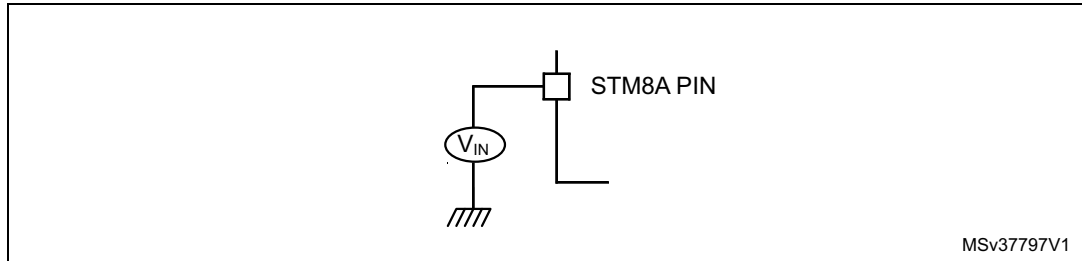
Figure 9. Pin loading conditions



### 10.1.5 Pin input voltage

The input voltage measurement on a pin of the device is described in [Figure 10](#).

Figure 10. Pin input voltage



## 10.2 Absolute maximum ratings

Stresses above the absolute maximum ratings listed in [Table 20: Voltage characteristics](#), [Table 21: Current characteristics](#) and [Table 22: Thermal characteristics](#) may cause permanent damage to the device. These are stress ratings only, and functional operation of the device at these conditions is not implied. Exposure to maximum rating conditions for extended periods may affect the device's reliability. The device's mission profile (application conditions) is compliant with the JEDEC JESD47 qualification standard, extended mission profiles are available on demand.

Table 20. Voltage characteristics

Symbol	Ratings	Min	Max	Unit
$V_{DDx} - V_{SS}$	Supply voltage (including $V_{DDA}$ and $V_{DDIO}$ ) <sup>(1)</sup>	-0.3	6.5	V
$V_{IN}$	Input voltage on true open drain pins (PE1, PE2) <sup>(2)</sup>	$V_{SS} - 0.3$	6.5	
	Input voltage on any other pin <sup>(2)</sup>	$V_{SS} - 0.3$	$V_{DD} + 0.3$	
$ V_{DDx} - V_{DD} $	Variations between different power pins	-	50	mV
$ V_{SSx} - V_{SS} $	Variations between all the different ground pins	-	50	
$V_{ESD}$	Electrostatic discharge voltage	see <a href="#">Absolute maximum ratings (electrical sensitivity) on page 88</a>		

1. All power ( $V_{DD}$ ,  $V_{DDIO}$ ,  $V_{DDA}$ ) and ground ( $V_{SS}$ ,  $V_{SSIO}$ ,  $V_{SSA}$ ) pins must always be connected to the external power supply
2.  $I_{INJ(PIN)}$  must never be exceeded. This is implicitly insured if  $V_{IN}$  maximum is respected. If  $V_{IN}$  maximum cannot be respected, the injection current must be limited externally to the  $I_{INJ(PIN)}$  value. A positive injection is induced by  $V_{IN} > V_{DD}$  while a negative injection is induced by  $V_{IN} < V_{SS}$ . For true open-drain pads, there is no positive injection current, and the corresponding  $V_{IN}$  maximum must always be respected

**Table 21. Current characteristics**

Symbol	Ratings	Max.	Unit
$I_{VDDIO}$	Total current into $V_{DDIO}$ power lines (source) <sup>(1)(2)(3)</sup>	100	mA
$I_{VSSIO}$	Total current out of $V_{SSIO}$ ground lines (sink) <sup>(1)(2)(3)</sup>	100	
$I_{IO}$	Output current sunk by any I/O and control pin	20	
	Output current source by any I/Os and control pin	-20	
$I_{INJ(PIN)}^{(4)}$	Injected current on any pin	±10	
$I_{INJ(TOT)}$	Sum of injected currents	50	

1. All power ( $V_{DD}$ ,  $V_{DDIO}$ ,  $V_{DDA}$ ) and ground ( $V_{SS}$ ,  $V_{SSIO}$ ,  $V_{SSA}$ ) pins must always be connected to the external supply.
2. The total limit applies to the sum of operation and injected currents.
3.  $V_{DDIO}$  includes the sum of the positive injection currents.  $V_{SSIO}$  includes the sum of the negative injection currents.
4. This condition is implicitly insured if  $V_{IN}$  maximum is respected. If  $V_{IN}$  maximum cannot be respected, the injection current must be limited externally to the  $I_{INJ(PIN)}$  value. A positive injection is induced by  $V_{IN} > V_{DD}$  while a negative injection is induced by  $V_{IN} < V_{SS}$ . For true open-drain pads, there is no positive injection current allowed and the corresponding  $V_{IN}$  maximum must always be respected.

**Table 22. Thermal characteristics**

Symbol	Ratings	Value	Unit
$T_{STG}$	Storage temperature range	-65 to 150	°C
$T_J$	Maximum junction temperature	160	

**Table 23. Operating lifetime<sup>(1)</sup>**

Symbol	Ratings	Value	Unit
OLF	Conforming to AEC-Q100 rev G	-40 to 125 °C	Grade 1
		-40 to 150 °C	Grade 0

1. For detailed mission profile analysis, please contact the nearest ST Sales Office.

### 10.3 Operating conditions

Table 24. General operating conditions

Symbol	Parameter	Conditions	Min	Max	Unit
f <sub>CPU</sub>	Internal CPU clock frequency	1 wait state T <sub>A</sub> = -40 °C to 150 °C	16	24	MHz
		0 wait state T <sub>A</sub> = -40 °C to 150 °C	0	16	
V <sub>DD</sub> /V <sub>DDIO</sub>	Standard operating voltage	-	3.0	5.5	V
V <sub>CAP</sub> <sup>(1)</sup>	C <sub>EXT</sub> : capacitance of external capacitor	-	470	3300	nF
	ESR of external capacitor	at 1 MHz <sup>(2)</sup>	-	0.3	Ω
	ESL of external capacitor		-	15	nH
T <sub>A</sub>	Ambient temperature	Suffix A	- 40	85	°C
		Suffix C		125	
		Suffix D		150	
T <sub>J</sub>	Junction temperature range	Suffix A	- 40	90	
		Suffix C		130	
		Suffix D		155	

- Care should be taken when selecting the capacitor, due to its tolerance, as well as the parameter dependency on temperature, DC bias and frequency in addition to other factors. The parameter maximum value must be respected for the full application range.
- This frequency of 1 MHz as a condition for V<sub>CAP</sub> parameters is given by design of internal regulator.

Figure 11. f<sub>CPUmax</sub> versus V<sub>DD</sub>

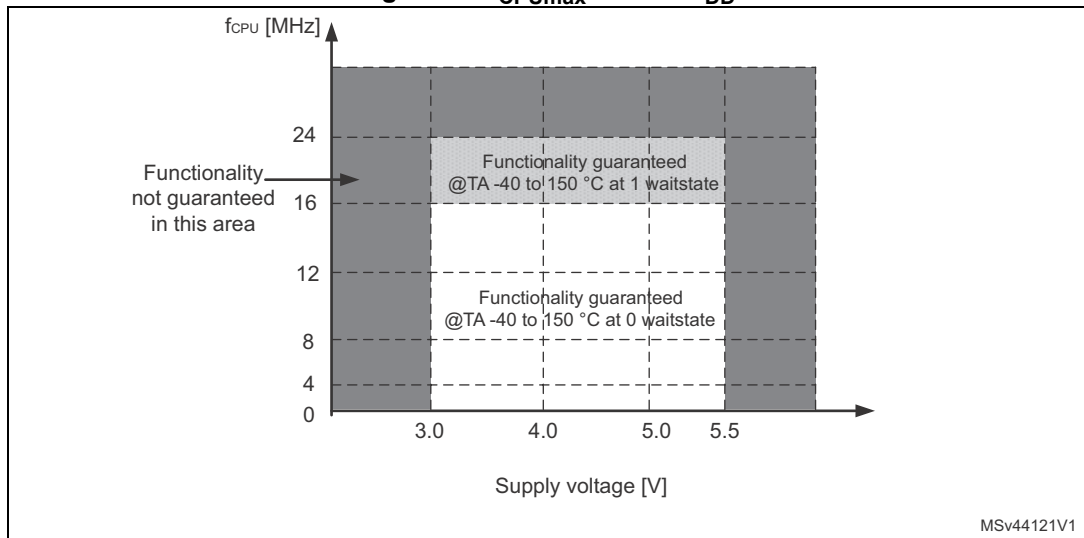


Table 25. Operating conditions at power-up/power-down

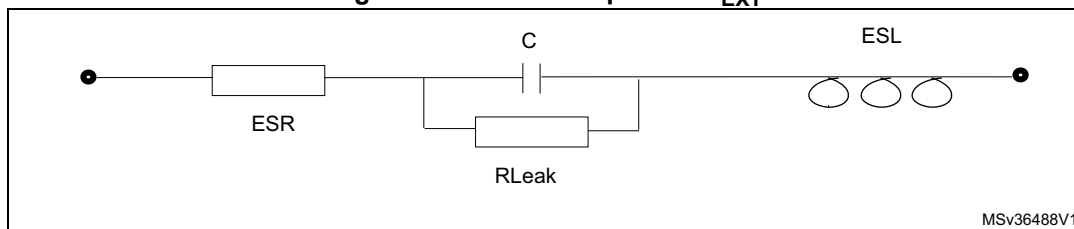
Symbol	Parameter	Conditions	Min	Typ	Max	Unit
t <sub>VDD</sub>	V <sub>DD</sub> rise time rate	-	2 <sup>(1)</sup>	-	∞	μs/V
	V <sub>DD</sub> fall time rate	-	2 <sup>(1)</sup>	-	∞	
t <sub>TEMP</sub>	Reset release delay	V <sub>DD</sub> rising	-	1	1.7	ms
	Reset generation delay	V <sub>DD</sub> falling	-	3	-	μs
V <sub>IT+</sub>	Power-on reset threshold <sup>(2) (3)</sup>	-	2.65	2.8	2.95	V
V <sub>IT-</sub>	Brown-out reset threshold	-	2.58	2.73	2.88	
V <sub>HYS(BOR)</sub>	Brown-out reset hysteresis	-	-	70 <sup>(1)</sup>	-	mV

1. Guaranteed by design, not tested in production.
2. If V<sub>DD</sub> is below 3 V, the code execution is guaranteed above the V<sub>IT-</sub> and V<sub>IT+</sub> thresholds. RAM content is kept. The EEPROM programming sequence must not be initiated.
3. There is inrush current into V<sub>DD</sub> present after device power on to charge C<sub>EXT</sub> capacitor. This inrush energy depends from C<sub>EXT</sub> capacitor value. For example, a C<sub>EXT</sub> of 1 μF requires Q=1 μF x 1.8 V = 1.8 μC.

### 10.3.1 VCAP external capacitor

Stabilization for the main regulator is achieved connecting an external capacitor C<sub>EXT</sub> to the V<sub>CAP</sub> pin. C<sub>EXT</sub> is specified in [Table 24](#). Care should be taken to limit the series inductance to less than 15 nH.

Figure 12. External capacitor C<sub>EXT</sub>



1. Legend: ESR is the equivalent series resistance and ESL is the equivalent inductance.

### 10.3.2 Supply current characteristics

The current consumption is measured as described in [Figure 9 on page 59](#) and [Figure 10 on page 60](#).

If not explicitly stated, general conditions of temperature and voltage apply.

**Table 26. Total current consumption in Run, Wait and Slow mode. General conditions for V<sub>DD</sub> apply, T<sub>A</sub> = -40 °C to 150 °C**

Symbol	Parameter	Conditions	Typ	Max	Unit	
I <sub>DD(RUN)</sub> <sup>(1)</sup>	Supply current in Run mode	All peripherals clocked, code executed from Flash program memory, HSE external clock (without resonator)	f <sub>CPU</sub> = 24 MHz 1 ws	8.7	16.8 <sup>(2)</sup>	mA
			f <sub>CPU</sub> = 16 MHz	7.4	14	
			f <sub>CPU</sub> = 8 MHz	4.0	7.4 <sup>(2)</sup>	
			f <sub>CPU</sub> = 4 MHz	2.4	4.1 <sup>(2)</sup>	
			f <sub>CPU</sub> = 2 MHz	1.5	2.5	
I <sub>DD(RUN)</sub> <sup>(1)</sup>	Supply current in Run mode	All peripherals clocked, code executed from RAM, HSE external clock (without resonator)	f <sub>CPU</sub> = 24 MHz	4.4	6.0 <sup>(2)</sup>	
			f <sub>CPU</sub> = 16 MHz	3.7	5.0	
			f <sub>CPU</sub> = 8 MHz	2.2	3.0 <sup>(2)</sup>	
			f <sub>CPU</sub> = 4 MHz	1.4	2.0 <sup>(2)</sup>	
			f <sub>CPU</sub> = 2 MHz	1.0	1.5	
I <sub>DD(WFI)</sub> <sup>(1)</sup>	Supply current in Wait mode	CPU stopped, all peripherals off, HSE external clock	f <sub>CPU</sub> = 24 MHz	2.4	3.1 <sup>(2)</sup>	
			f <sub>CPU</sub> = 16 MHz	1.65	2.5	
			f <sub>CPU</sub> = 8 MHz	1.15	1.9 <sup>(2)</sup>	
			f <sub>CPU</sub> = 4 MHz	0.90	1.6 <sup>(2)</sup>	
			f <sub>CPU</sub> = 2 MHz	0.80	1.5	
I <sub>DD(SLOW)</sub> <sup>(1)</sup>	Supply current in Slow mode	f <sub>CPU</sub> scaled down, all peripherals off, code executed from RAM	External clock 16 MHz f <sub>CPU</sub> = 125 kHz	1.50	1.95	
			LSI internal RC f <sub>CPU</sub> = 128 kHz	1.50	1.80 <sup>(2)</sup>	

1. The current due to I/O utilization is not taken into account in these values.
2. Guaranteed by design, not tested in production.

**Table 27. Total current consumption in Halt and Active-halt modes. General conditions for V<sub>DD</sub> applied. T<sub>A</sub> = -40 °C to 55 °C unless otherwise stated**

Symbol	Parameter	Conditions			Typ	Max	Unit
		Main voltage regulator (MVR) <sup>(1)</sup>	Flash mode <sup>(2)</sup>	Clock source and temperature condition			
I <sub>DD(H)</sub>	Supply current in Halt mode	Off	Power-down	Clocks stopped	5	35 <sup>(3)</sup>	
				Clocks stopped, T <sub>A</sub> = 25 °C	5	25	
I <sub>DD(AH)</sub>	Supply current in Active-halt mode with regulator on	On	Power-down	External clock 16 MHz f <sub>MASTER</sub> = 125 kHz	770	900 <sup>(3)</sup>	μA
				LSI clock 128 kHz	150	230 <sup>(3)</sup>	
	Supply current in Active-halt mode with regulator off	Off	Power-down	LSI clock 128 kHz	25	42 <sup>(3)</sup>	
				LSI clock 128 kHz, T <sub>A</sub> = 25 °C	25	30	
t <sub>WU(AH)</sub>	Wakeup time from Active-halt mode with regulator on	On	Operating mode	T <sub>A</sub> = -40 to 150 °C	10	30 <sup>(3)</sup>	μs
	Wakeup time from Active-halt mode with regulator off	Off			50	80 <sup>(3)</sup>	

1. Configured by the REGAH bit in the CLK\_ICKR register.
2. Configured by the AHALT bit in the FLASH\_CR1 register.
3. Guaranteed by characterization results, not tested in production.

**Current consumption for on-chip peripherals**

**Table 28. Oscillator current consumption**

Symbol	Parameter	Conditions		Typ	Max <sup>(1)</sup>	Unit
I <sub>DD(OSC)</sub>	HSE oscillator current consumption <sup>(2)</sup>	Quartz or ceramic resonator, CL = 33 pF V <sub>DD</sub> = 5 V	f <sub>OSC</sub> = 24 MHz	1	2.0 <sup>(3)</sup>	mA
			f <sub>OSC</sub> = 16 MHz	0.6	-	
			f <sub>OSC</sub> = 8 MHz	0.57	-	
I <sub>DD(OSC)</sub>	HSE oscillator current consumption <sup>(2)</sup>	Quartz or ceramic resonator, CL = 33 pF V <sub>DD</sub> = 3.3 V	f <sub>OSC</sub> = 24 MHz	0.5	1.0 <sup>(3)</sup>	mA
			f <sub>OSC</sub> = 16 MHz	0.25	-	
			f <sub>OSC</sub> = 8 MHz	0.18	-	

1. During startup, the oscillator current consumption may reach 6 mA.
2. The supply current of the oscillator can be further optimized by selecting a high quality resonator with small R<sub>m</sub> value. Refer to crystal manufacturer for more details
3. Informative data.

**Table 29. Programming current consumption**

Symbol	Parameter	Conditions	Typ	Max	Unit
I <sub>DD(PROG)</sub>	Programming current	V <sub>DD</sub> = 5 V, -40 °C to 150 °C, erasing and programming data or Flash program memory	1.0	1.7	mA

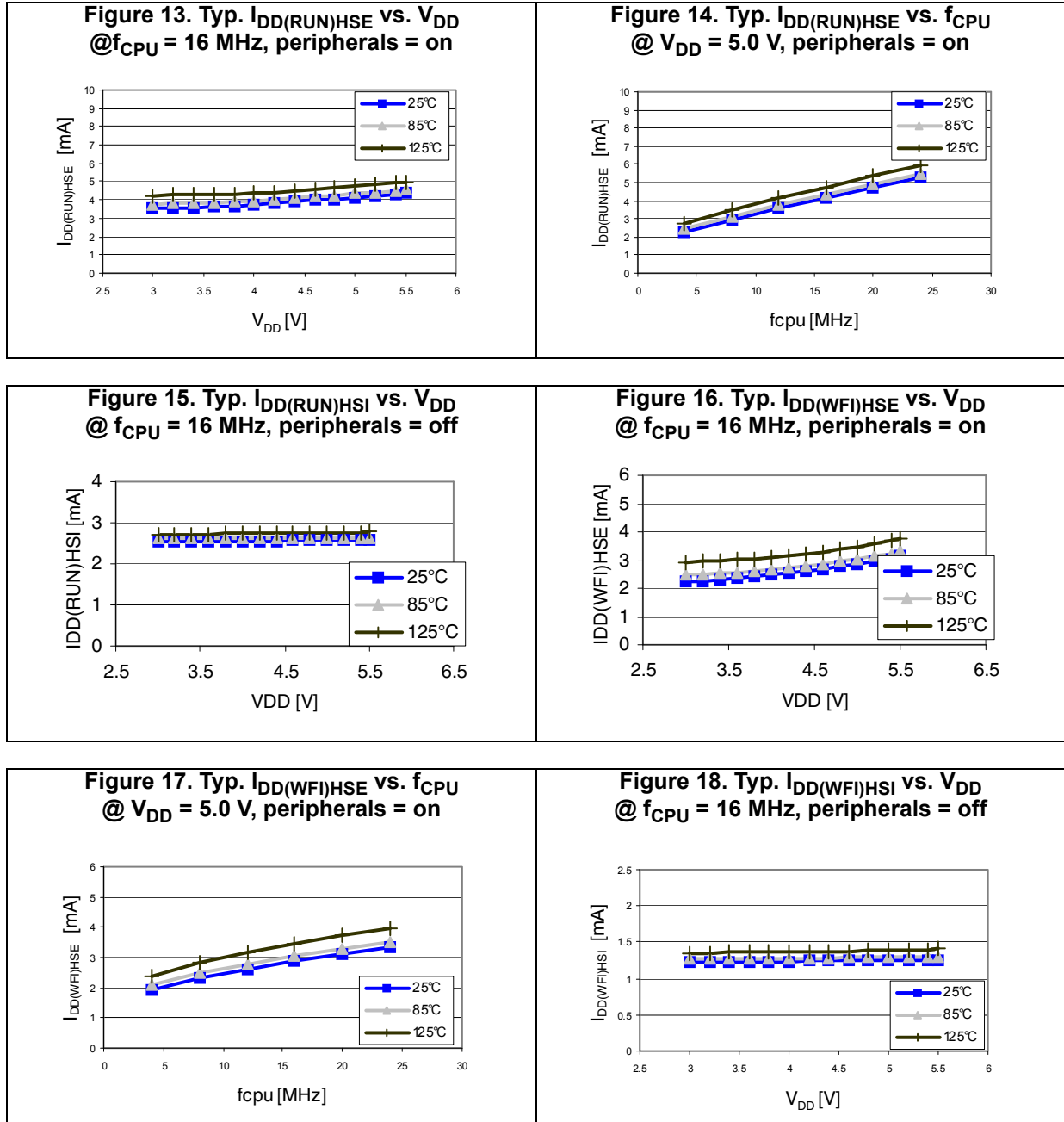
**Table 30. Typical peripheral current consumption V<sub>DD</sub> = 5.0 V<sup>(1)</sup>**

Symbol	Parameter	Typ.			Unit
		f <sub>master</sub> = 2 MHz	f <sub>master</sub> = 16 MHz	f <sub>master</sub> = 24 MHz	
I <sub>DD(TIM1)</sub>	TIM1 supply current <sup>(2)</sup>	0.03	0.23	0.34	mA
I <sub>DD(TIM2)</sub>	TIM2 supply current <sup>(2)</sup>	0.02	0.12	0.19	
I <sub>DD(TIM3)</sub>	TIM3 supply current <sup>(2)</sup>	0.01	0.1	0.16	
I <sub>DD(TIM4)</sub>	TIM4 supply current <sup>(2)</sup>	0.004	0.03	0.05	
I <sub>DD(USART)</sub>	USART supply current <sup>(2)</sup>	0.03	0.09	0.15	
I <sub>DD(LINUART)</sub>	LINUART supply current <sup>(2)</sup>	0.03	0.11	0.18	
I <sub>DD(SPI)</sub>	SPI supply current <sup>(2)</sup>	0.01	0.04	0.07	
I <sub>DD(I<sup>2</sup>C)</sub>	I <sup>2</sup> C supply current <sup>(2)</sup>	0.02	0.06	0.91	
I <sub>DD(CAN)</sub>	CAN supply current <sup>(3)</sup>	0.06	0.30	0.40	
I <sub>DD(AWU)</sub>	AWU supply current <sup>(2)</sup>	0.003	0.02	0.05	
I <sub>DD(TOT_DIG)</sub>	All digital peripherals on	0.22	1	2.4	
I <sub>DD(ADC)</sub>	ADC supply current when converting <sup>(4)</sup>	0.93	0.95	0.96	

1. Typical values not tested in production. Since the peripherals are powered by an internally regulated, constant digital supply voltage, the values are similar in the full supply voltage range.
2. Data based on a differential I<sub>DD</sub> measurement between no peripheral clocked and a single active peripheral. This measurement does not include the pad toggling consumption.
3. Data based on a differential I<sub>DD</sub> measurement between reset configuration (CAN disabled) and a permanent CAN data transmit sequence in loopback mode at 1 MHz. This measurement does not include the pad toggling consumption.
4. Data based on a differential I<sub>DD</sub> measurement between reset configuration and continuous A/D conversions.

**Current consumption curves**

Figure 13 to Figure 18 show typical current consumption measured with code executing in RAM.



### 10.3.3 External clock sources and timing characteristics

#### HSE external clock

An HSE clock can be generated by feeding an external clock signal of up to 24 MHz to the OSCIN pin.

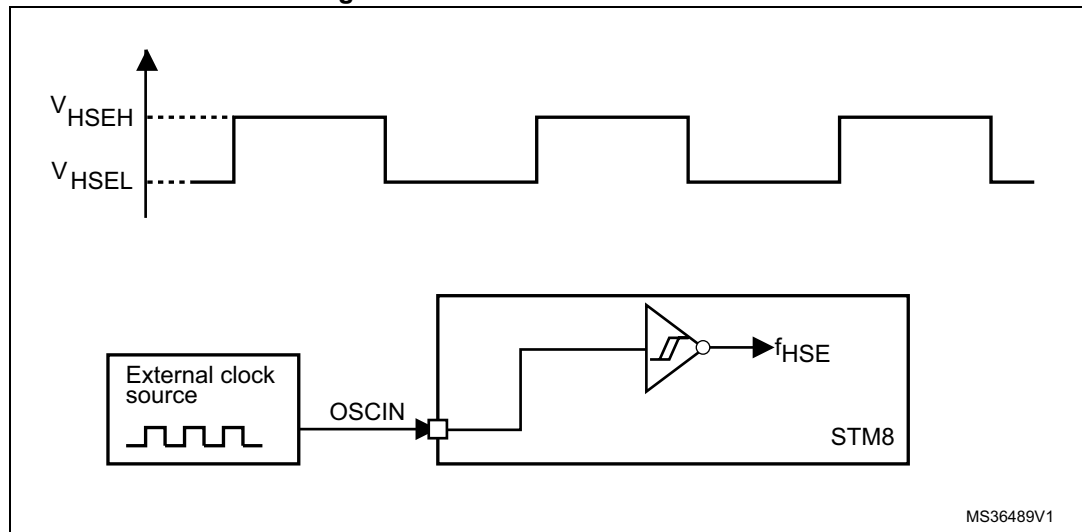
Clock characteristics are subject to general operating conditions for  $V_{DD}$  and  $T_A$ .

Table 31. HSE external clock characteristics

Symbol	Parameter	Conditions	Min	Typ	Max	Unit
$f_{HSE\_ext}$	User external clock source frequency	$T_A = -40\text{ }^\circ\text{C to }150\text{ }^\circ\text{C}$	0 <sup>(1)</sup>	-	24	MHz
$V_{HSEdHL}$	Comparator hysteresis	-	$0.1 \times V_{DD}$	-	-	V
$V_{HSEH}$	OSCIN high-level input pin voltage	-	$0.7 \times V_{DD}$	-	$V_{DD}$	
$V_{HSEL}$	OSCIN low-level input pin voltage	-	$V_{SS}$	-	$0.3 \times V_{DD}$	
$I_{LEAK\_HSE}$	OSCIN input leakage current	$V_{SS} < V_{IN} < V_{DD}$	-1	-	+1	$\mu\text{A}$

1. If CSS is used, the external clock must have a frequency above 500 kHz.

Figure 19. HSE external clock source



MS36489V1

#### HSE crystal/ceramic resonator oscillator

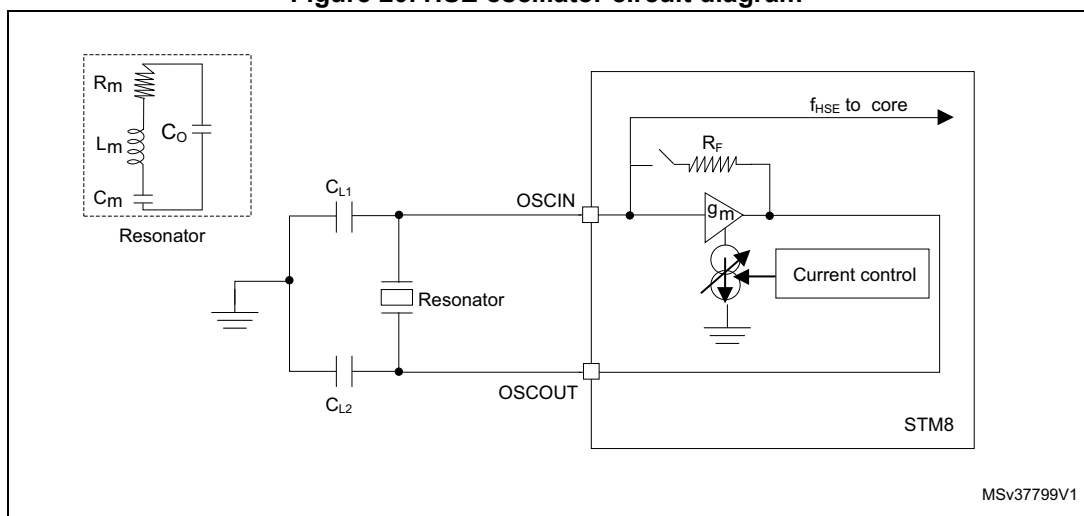
The HSE clock can be supplied using a crystal/ceramic resonator oscillator of up to 24 MHz. All the information given in this paragraph is based on characterization results with specified typical external components. In the application, the resonator and the load capacitors have to be placed as close as possible to the oscillator pins in order to minimize output distortion and startup stabilization time. Refer to the crystal resonator manufacturer for more details (frequency, package, accuracy...).

Table 32. HSE oscillator characteristics

Symbol	Parameter	Conditions	Min	Typ	Max	Unit
$R_F$	Feedback resistor	-	-	220	-	k $\Omega$
$C_{L1}/C_{L2}^{(1)}$	Recommended load capacitance	-	-	-	20	pF
$g_m$	Oscillator trans conductance	-	5	-	-	mA/V
$t_{SU(HSE)}^{(2)}$	Startup time	$V_{DD}$ is stabilized	-	2.8	-	ms

1. The oscillator needs two load capacitors,  $C_{L1}$  and  $C_{L2}$ , to act as load for the crystal. The total load capacitance ( $C_{Load}$ ) is  $(C_{L1} * C_{L2}) / (C_{L1} + C_{L2})$ . If  $C_{L1} = C_{L2}$ ,  $C_{load} = C_{L1}/2$ . Some oscillators have built-in load capacitors,  $C_{L1}$  and  $C_{L2}$ .
2. This value is the startup time, measured from the moment it is enabled (by software) until a stabilized 24 MHz oscillation is reached. It can vary with the crystal type that is used.

Figure 20. HSE oscillator circuit diagram



**HSE oscillator critical  $g_m$  formula**

The crystal characteristics have to be checked with the following formula:

**Equation 1**

$$g_m \gg g_{m\text{crit}}$$

where  $g_{m\text{crit}}$  can be calculated with the crystal parameters as follows:

**Equation 2**

$$g_{m\text{crit}} = (2 \times \Pi \times f_{\text{HSE}})^2 \times R_m(2C_o + C)^2$$

- $R_m$ : Notional resistance (see crystal specification)
- $L_m$ : Notional inductance (see crystal specification)
- $C_m$ : Notional capacitance (see crystal specification)
- $C_o$ : Shunt capacitance (see crystal specification)
- $C_{L1} = C_{L2} = C$ : Grounded external capacitance

### 10.3.4 Internal clock sources and timing characteristics

Subject to general operating conditions for  $V_{DD}$  and  $T_A$ .

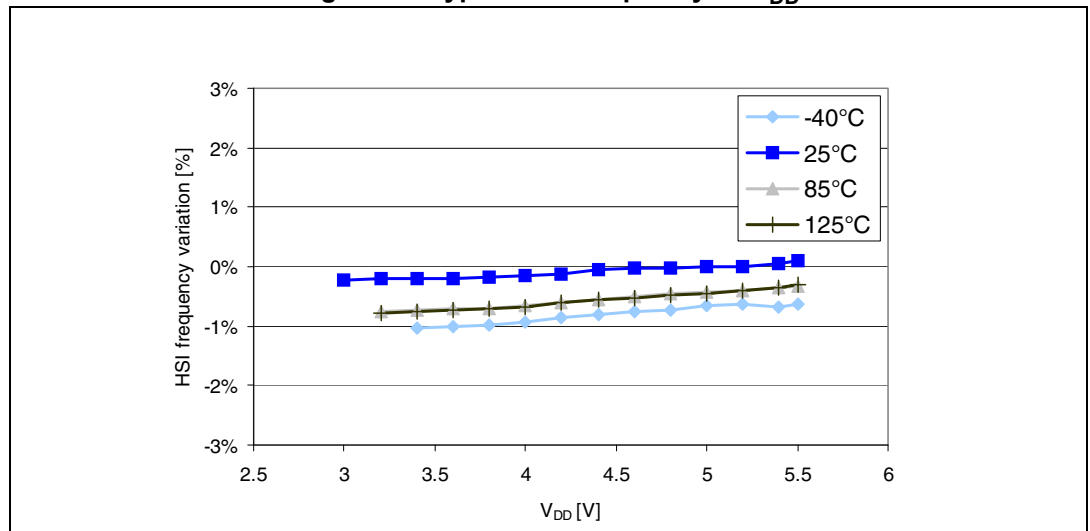
#### High-speed internal RC oscillator (HSI)

Table 33. HSI oscillator characteristics

Symbol	Parameter	Conditions	Min	Typ	Max	Unit
$f_{HSI}$	Frequency	-	-	16	-	MHz
$ACC_{HS}$	HSI oscillator user trimming accuracy	Trimmed by the application for any $V_{DD}$ and $T_A$ conditions	-1	-	1	%
	HSI oscillator accuracy (factory calibrated)	$V_{DD} = 3.0\text{ V} \leq V_{DD} \leq 5.5\text{ V}$ , $-40\text{ }^\circ\text{C} \leq T_A \leq 150\text{ }^\circ\text{C}$	-5	-	5	
$t_{su(HSI)}$	HSI oscillator wakeup time	-	-	-	2 <sup>(1)</sup>	$\mu\text{s}$

1. Guaranteed by characterization results, not tested in production.

Figure 21. Typical HSI frequency vs  $V_{DD}$



**Low-speed internal RC oscillator (LSI)**

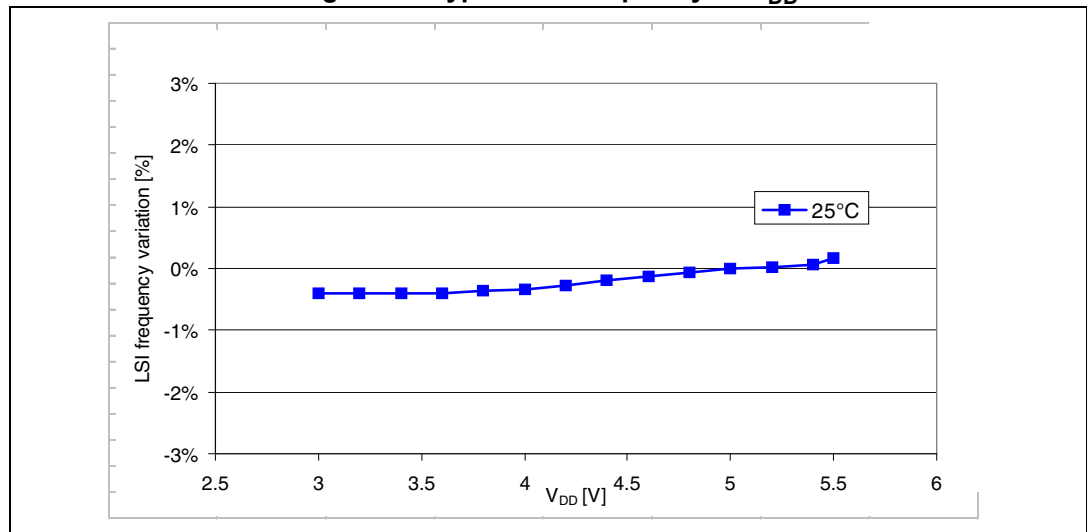
Subject to general operating conditions for  $V_{DD}$  and  $T_A$ .

**Table 34. LSI oscillator characteristics**

Symbol	Parameter	Conditions	Min	Typ	Max	Unit
$f_{LSI}$	Frequency	-	112	128	144	kHz
$t_{su(LSI)}$	LSI oscillator wakeup time	-	-	-	7 <sup>(1)</sup>	$\mu s$

1. Guaranteed by characterization results, not tested in production.

**Figure 22. Typical LSI frequency vs  $V_{DD}$**



### 10.3.5 Memory characteristics

#### Flash program memory/data EEPROM memory

General conditions:  $T_A = -40\text{ }^\circ\text{C}$  to  $150\text{ }^\circ\text{C}$ .

**Table 35. Flash program memory/data EEPROM memory**

Symbol	Parameter	Conditions	Min <sup>(1)</sup>	Typ	Max	Unit
$V_{DD}$	Operating voltage (all modes, execution/write/erase)	$f_{CPU}$ is 16 to 24 MHz with 1 ws $f_{CPU}$ is 0 to 16 MHz with 0 ws	3.0	-	5.5	V
$V_{DD}$	Operating voltage (code execution)	$f_{CPU}$ is 16 to 24 MHz with 1 ws $f_{CPU}$ is 0 to 16 MHz with 0 ws	2.6	-	5.5	
$t_{prog}$	Standard programming time (including erase) for byte/word/block (1 byte/4 bytes/128 bytes)	-	-	6	6.6	ms
	Fast programming time for 1 block (128 bytes)	-	-	3	3.3	
$t_{erase}$	Erase time for 1 block (128 bytes)	-	-	3	3.3	

1. Guaranteed by characterization results, not tested in production.

**Table 36. Flash program memory**

Symbol	Parameter	Condition	Min	Max	Unit
$T_{WE}$	Temperature for writing and erasing	-	-40	150	$^\circ\text{C}$
$N_{WE}$	Flash program memory endurance (erase/write cycles) <sup>(1)</sup>	$T_A = 25\text{ }^\circ\text{C}$	1000	-	cycles
$t_{RET}$	Data retention time	$T_A = 25\text{ }^\circ\text{C}$	40	-	years
		$T_A = 55\text{ }^\circ\text{C}$	20	-	

1. The physical granularity of the memory is four bytes, so cycling is performed on four bytes even when a write/erase operation addresses a single byte.

Table 37. Data memory

Symbol	Parameter	Condition	Min	Max	Unit
$T_{WE}$	Temperature for writing and erasing	-	-40	150	°C
$N_{WE}$	Data memory endurance <sup>(1)</sup> (erase/write cycles)	$T_A = 25\text{ °C}$	300 k	-	cycles
		$T_A = -40\text{ °C to }125\text{ °C}$	100 k <sup>(2)</sup>	-	
$t_{RET}$	Data retention time	$T_A = 25\text{ °C}$	40 <sup>(2)(3)</sup>	-	years
		$T_A = 55\text{ °C}$	20 <sup>(2)(3)</sup>	-	

1. The physical granularity of the memory is four bytes, so cycling is performed on four bytes even when a write/erase operation addresses a single byte.
2. More information on the relationship between data retention time and number of write/erase cycles is available in a separate technical document.
3. Retention time for 256B of data memory after up to 1000 cycles at 125 °C.

### 10.3.6 I/O port pin characteristics

#### General characteristics

Subject to general operating conditions for  $V_{DD}$  and  $T_A$  unless otherwise specified. All unused pins must be kept at a fixed voltage, using the output mode of the I/O for example or an external pull-up or pull-down resistor.

Table 38. I/O static characteristics

Symbol	Parameter	Conditions	Min	Typ	Max	Unit
$V_{IL}$	Low-level input voltage	-	-0.3 V		$0.3 \times V_{DD}$	V
$V_{IH}$	High-level input voltage		$0.7 \times V_{DD}$		$V_{DD} + 0.3 \text{ V}$	
$V_{hys}$	Hysteresis <sup>(1)</sup>		-	$0.1 \times V_{DD}$	-	
$V_{OH}$	High-level output voltage	Standard I/O, $V_{DD} = 5 \text{ V}$ , $I = 3 \text{ mA}$	$V_{DD} - 0.5 \text{ V}$	-	-	V
		Standard I/O, $V_{DD} = 3 \text{ V}$ , $I = 1.5 \text{ mA}$	$V_{DD} - 0.4 \text{ V}$	-	-	
$V_{OL}$	Low-level output voltage	High sink and true open drain I/O, $V_{DD} = 5 \text{ V}$ $I = 8 \text{ mA}$	-	-	0.5	V
		Standard I/O, $V_{DD} = 5 \text{ V}$ $I = 3 \text{ mA}$	-	-	0.6	
		Standard I/O, $V_{DD} = 3 \text{ V}$ $I = 1.5 \text{ mA}$	-	-	0.4	
$R_{pu}$	Pull-up resistor	$V_{DD} = 5 \text{ V}$ , $V_{IN} = V_{SS}$	35	50	65	k $\Omega$
$t_R, t_F$	Rise and fall time (10% - 90%)	Fast I/Os Load = 50 pF	-	-	35 <sup>(2)</sup>	ns
		Standard and high sink I/Os Load = 50 pF	-	-	125 <sup>(2)</sup>	
		Fast I/Os Load = 20 pF	-	-	20 <sup>(2)</sup>	
		Standard and high sink I/Os Load = 20 pF	-	-	50 <sup>(2)</sup>	
$I_{lkg}$	Digital input pad leakage current	$V_{SS} \leq V_{IN} \leq V_{DD}$	-	-	$\pm 1$	$\mu\text{A}$
$I_{lkg \text{ ana}}$	Analog input pad leakage current	$V_{SS} \leq V_{IN} \leq V_{DD}$ $-40 \text{ }^\circ\text{C} < T_A < 125 \text{ }^\circ\text{C}$	-	-	$\pm 250$	nA
		$V_{SS} \leq V_{IN} \leq V_{DD}$ $-40 \text{ }^\circ\text{C} < T_A < 150 \text{ }^\circ\text{C}$	-	-	$\pm 500$	
$I_{lkg(inj)}$	Leakage current in adjacent I/O <sup>(3)</sup>	Injection current $\pm 4 \text{ mA}$	-	-	$\pm 1$ <sup>(3)</sup>	$\mu\text{A}$
$I_{DDIO}$	Total current on either $V_{DDIO}$ or $V_{SSIO}$	Including injection currents	-	-	60	mA

1. Hysteresis voltage between Schmitt trigger switching levels. Guaranteed by characterization results, not tested in production.

- 2. Guaranteed by design.
- 3. Guaranteed by characterization results, not tested in production.

Figure 23. Typical  $V_{IL}$  and  $V_{IH}$  vs  $V_{DD}$  @ four temperatures

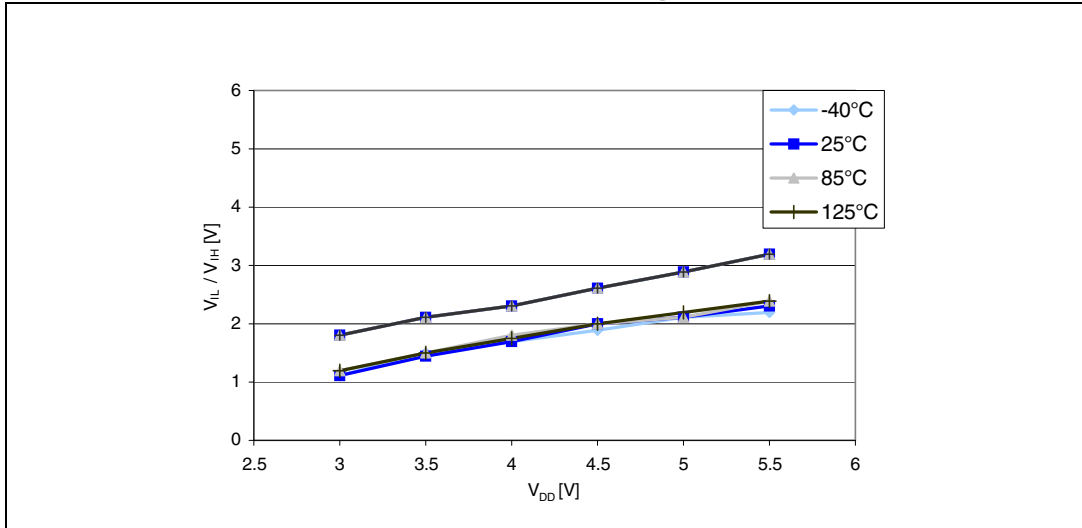


Figure 24. Typical pull-up resistance  $R_{PU}$  vs  $V_{DD}$  @ four temperatures

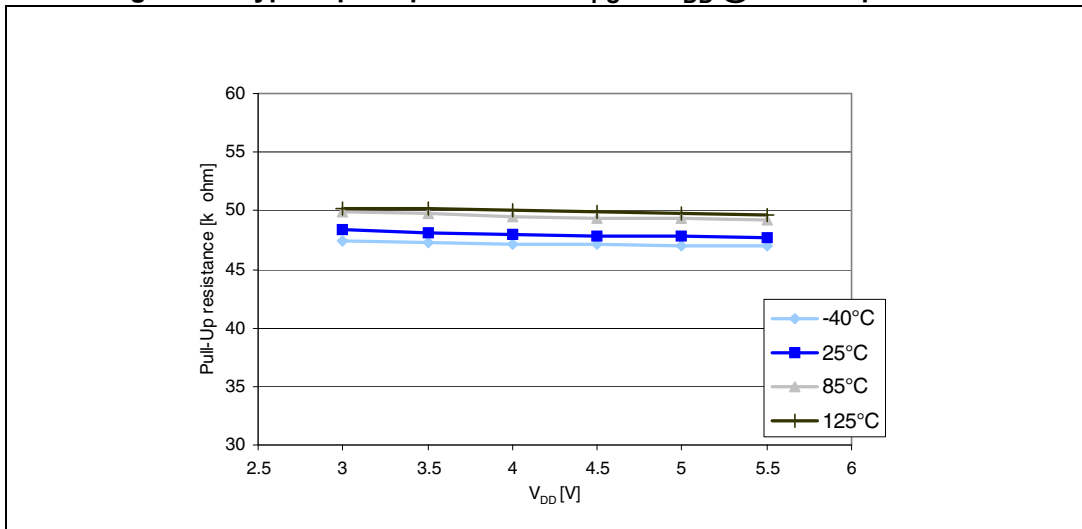
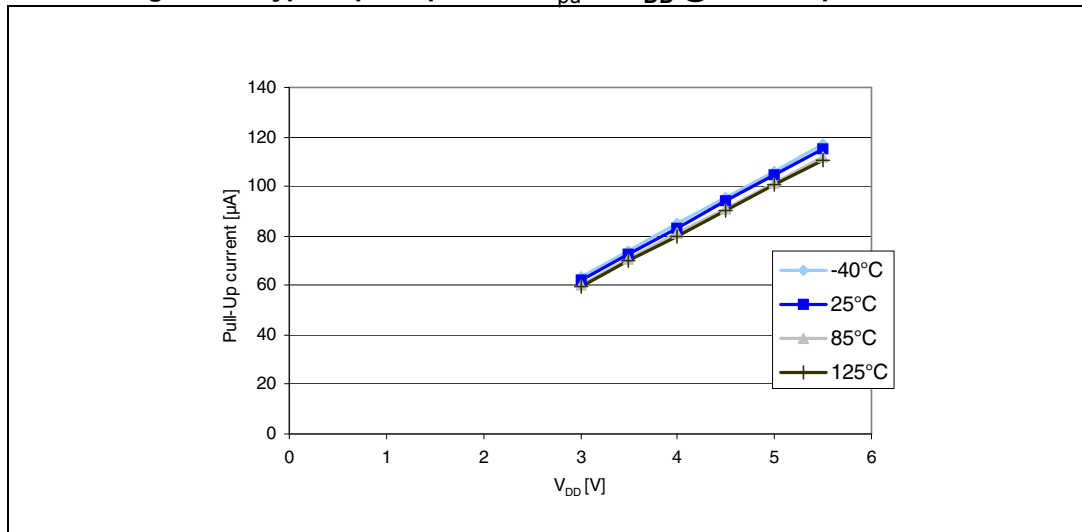


Figure 25. Typical pull-up current  $I_{PU}$  vs  $V_{DD}$  @ four temperatures<sup>(1)</sup>



1. The pull-up is a pure resistor (slope goes through 0).

Typical output level curves

Figure 26 to Figure 35 show typical output level curves measured with output on a single pin.

Figure 26. Typ.  $V_{OL}$  @  $V_{DD} = 3.3$  V (standard ports)

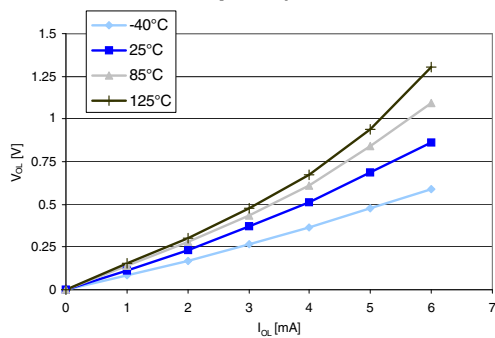


Figure 27. Typ.  $V_{OL}$  @  $V_{DD} = 5.0$  V (standard ports)

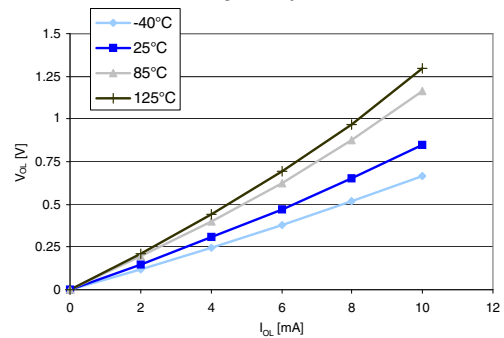


Figure 28. Typ.  $V_{OL}$  @  $V_{DD} = 3.3$  V (true open drain ports)

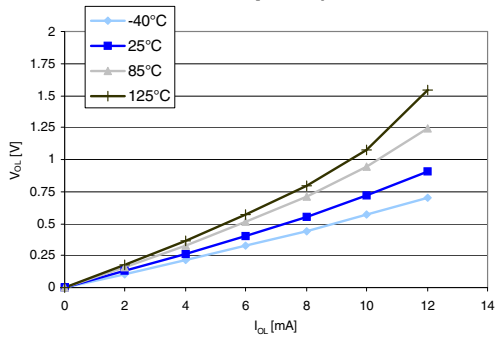
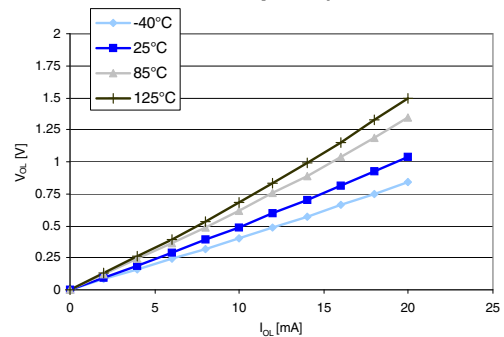
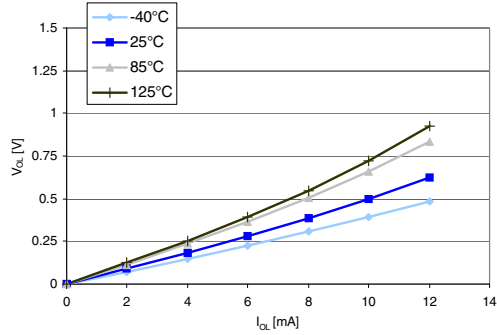


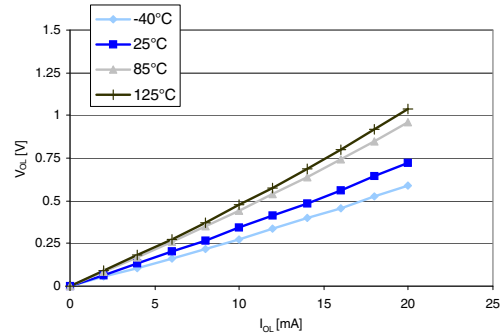
Figure 29. Typ.  $V_{OL}$  @  $V_{DD} = 5.0$  V (true open drain ports)



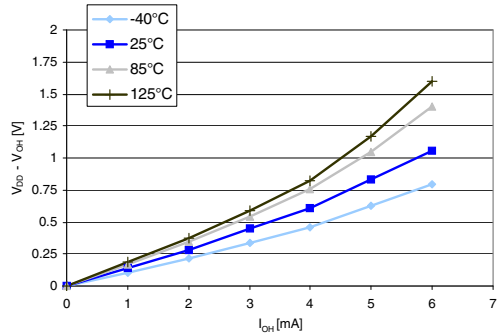
**Figure 30. Typ.  $V_{OL}$  @  $V_{DD} = 3.3$  V (high sink ports)**



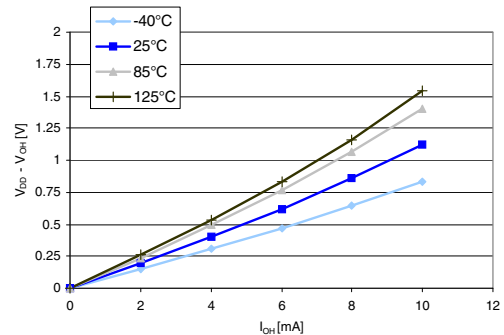
**Figure 31. Typ.  $V_{OL}$  @  $V_{DD} = 5.0$  V (high sink ports)**



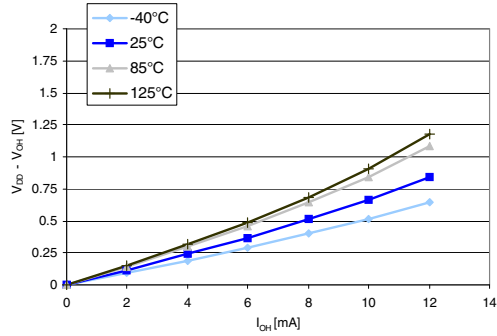
**Figure 32. Typ.  $V_{DD} - V_{OH}$  @  $V_{DD} = 3.3$  V (standard ports)**



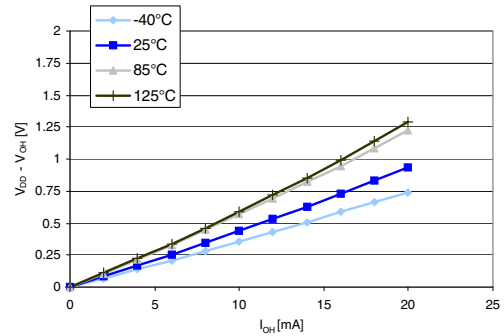
**Figure 33. Typ.  $V_{DD} - V_{OH}$  @  $V_{DD} = 5.0$  V (standard ports)**



**Figure 34. Typ.  $V_{DD} - V_{OH}$  @  $V_{DD} = 3.3$  V (high sink ports)**



**Figure 35. Typ.  $V_{DD} - V_{OH}$  @  $V_{DD} = 5.0$  V (high sink ports)**



### 10.3.7 Reset pin characteristics

Subject to general operating conditions for  $V_{DD}$  and  $T_A$  unless otherwise specified.

**Table 39. NRST pin characteristics**

Symbol	Parameter	Conditions	Min	Typ	Max	Unit
$V_{IL(NRST)}$	NRST low-level input voltage <sup>(1)</sup>	-	$V_{SS}$	-	$0.3 \times V_{DD}$	V
$V_{IH(NRST)}$	NRST high-level input voltage <sup>(1)</sup>	-	$0.7 \times V_{DD}$	-	$V_{DD}$	
$V_{OL(NRST)}$	NRST low-level output voltage <sup>(1)</sup>	$I_{OL} = 3 \text{ mA}$	-	-	0.6	
$R_{PU(NRST)}$	NRST pull-up resistor	-	30	40	60	k $\Omega$
$t_{IFP}$	NRST input filtered pulse <sup>(1)</sup>	-	85	-	315	ns
$t_{INFP(NRST)}$	NRST Input not filtered pulse duration <sup>(2)</sup>	-	500	-	-	

1. Guaranteed by characterization results, not tested in production.

2. Guaranteed by design, not tested in production.

**Figure 36. Typical NRST  $V_{IL}$  and  $V_{IH}$  vs  $V_{DD}$  @ four temperatures**

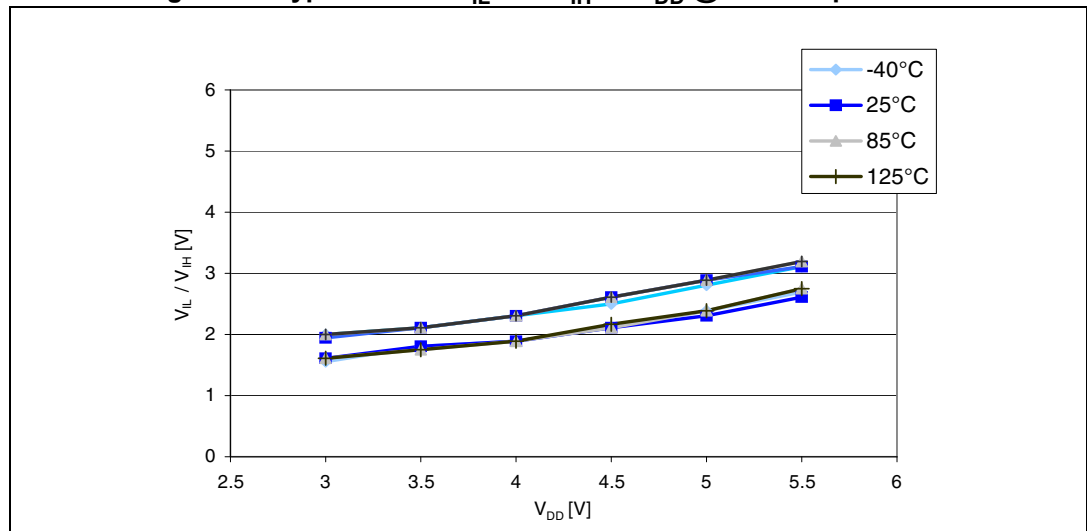


Figure 37. Typical NRST pull-up resistance  $R_{PU}$  vs  $V_{DD}$

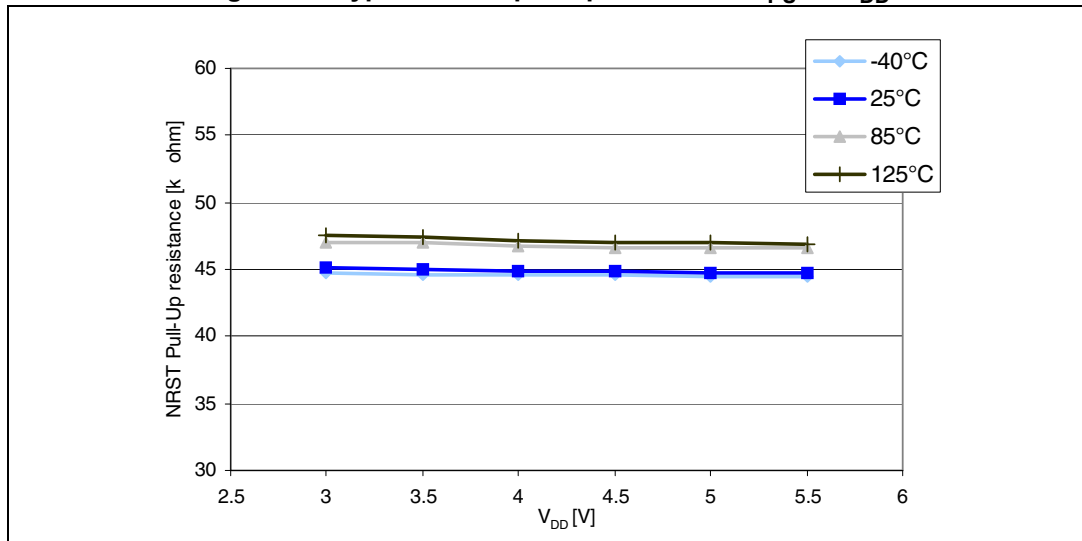
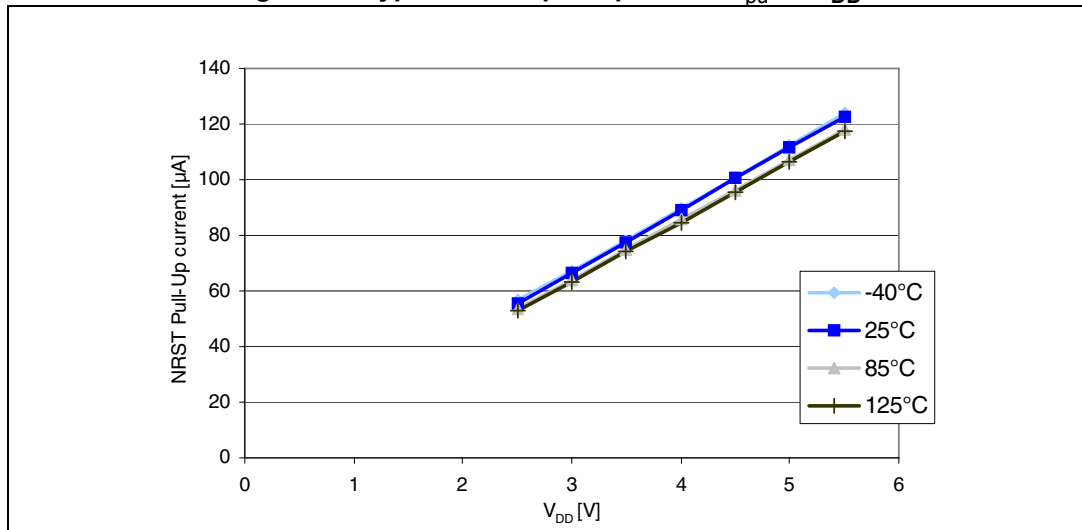


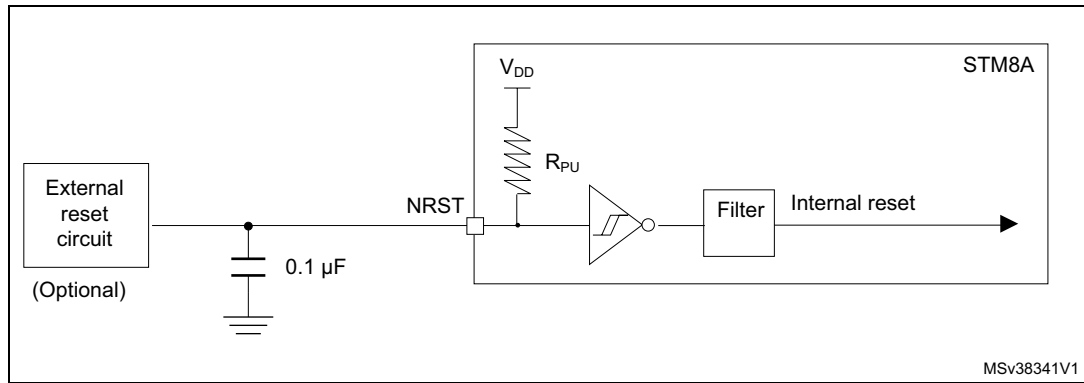
Figure 38. Typical NRST pull-up current  $I_{PU}$  vs  $V_{DD}$



The reset network shown in [Figure 39](#) protects the device against parasitic resets. The user must ensure that the level on the NRST pin can go below  $V_{IL(NRST)}$  max (see [Table 39: NRST pin characteristics](#)), otherwise the reset is not taken into account internally.

For power consumption sensitive applications, the external reset capacitor value can be reduced to limit the charge/discharge current. If NRST signal is used to reset external circuitry, attention must be taken to the charge/discharge time of the external capacitor to fulfill the external devices reset timing conditions. Minimum recommended capacity is 10 nF.

Figure 39. Recommended reset pin protection



10.3.8 TIM 1, 2, 3, and 4 electrical specifications

Subject to general operating conditions for  $V_{DD}$ ,  $f_{MASTER}$  and  $T_A$ .

Table 40. TIM 1, 2, 3, and 4 electrical specifications

Symbol	Parameter	Conditions	Min	Typ	Max	Unit
$f_{EXT}$	Timer external clock frequency <sup>(1)</sup>	-	-	-	24	MHz

1. Not tested in production.

### 10.3.9 SPI interface

Unless otherwise specified, the parameters given in [Table 41](#) are derived from tests performed under ambient temperature,  $f_{MASTER}$  frequency, and  $V_{DD}$  supply voltage conditions.  $t_{MASTER} = 1/f_{MASTER}$ .

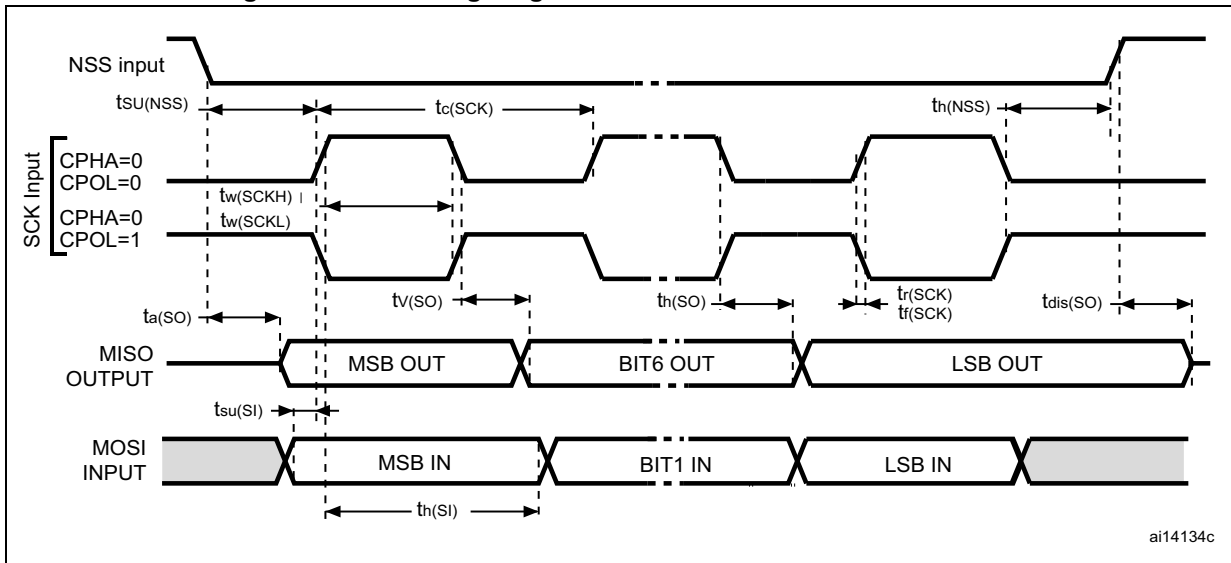
Refer to I/O port characteristics for more details on the input/output alternate function characteristics (NSS, SCK, MOSI, MISO).

**Table 41. SPI characteristics**

Symbol	Parameter	Conditions		Min	Max	Unit
$f_{SCK}$ $1/t_{c(SCK)}$	SPI clock frequency	Master mode		0	10	MHz
		Slave mode	$V_{DD} < 4.5 V$	0	6 <sup>(1)</sup>	
			$V_{DD} = 4.5 V$ to 5.5 V	0	8 <sup>(1)</sup>	
$t_{r(SCK)}$ $t_{f(SCK)}$	SPI clock rise and fall time	Capacitive load: C = 30 pF		-	25 <sup>(2)</sup>	ns
$t_{su(NSS)}^{(3)}$	NSS setup time	Slave mode		$4 * t_{MASTER}$	-	
$t_{h(NSS)}^{(3)}$	NSS hold time	Slave mode		70	-	
$t_{w(SCKH)}^{(3)}$ $t_{w(SCKL)}^{(3)}$	SCK high and low time	Master mode	$t_{SCK}/2 - 15$	$t_{SCK}/2 + 15$	$t_{w(SCKH)}^{(3)}$ $t_{w(SCKL)}^{(3)}$	
$t_{su(MI)}^{(3)}$ $t_{su(SI)}^{(3)}$	Data input setup time	Master mode		5	-	
		Slave mode		5	-	
$t_{h(MI)}^{(3)}$ $t_{h(SI)}^{(3)}$	Data input hold time	Master mode		7	-	
		Slave mode		10	-	
$t_{a(SO)}^{(3)(4)}$	Data output access time	Slave mode		-	$3 * t_{MASTER}$	
$t_{dis(SO)}^{(3)(5)}$	Data output disable time	Slave mode		25		
$t_{v(SO)}^{(3)}$	Data output valid time	Slave mode (after enable edge)	$V_{DD} < 4.5 V$	-	75	
			$V_{DD} = 4.5 V$ to 5.5 V	-	53	
$t_{v(MO)}^{(3)}$	Data output valid time	Master mode (after enable edge)		-	30	
$t_{h(SO)}^{(3)}$ $t_{h(MO)}^{(3)}$	Data output hold time	Slave mode (after enable edge)		31	-	
		Master mode (after enable edge)		12	-	

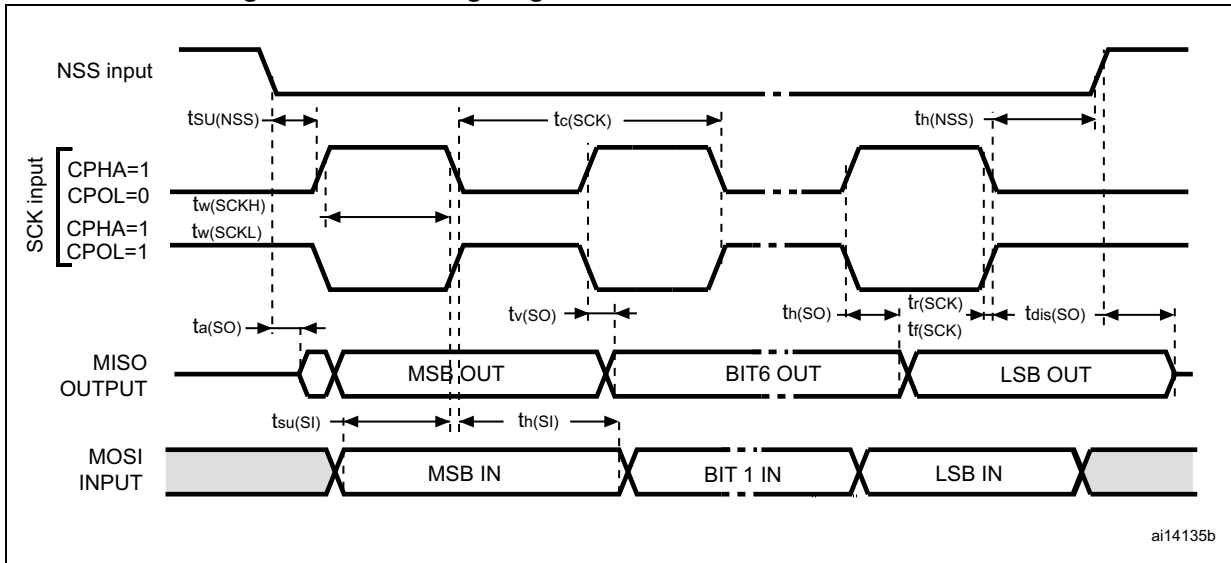
- $f_{SCK} < f_{MASTER}/2$ .
- The pad has to be configured accordingly (fast mode).
- Guaranteed by design or by characterization results, not tested in production.
- Min time is for the minimum time to drive the output and the max time is for the maximum time to validate the data.
- Min time is for the minimum time to invalidate the output and the max time is for the maximum time to put the data in Hi-Z.

Figure 40. SPI timing diagram in slave mode and with CPHA = 0



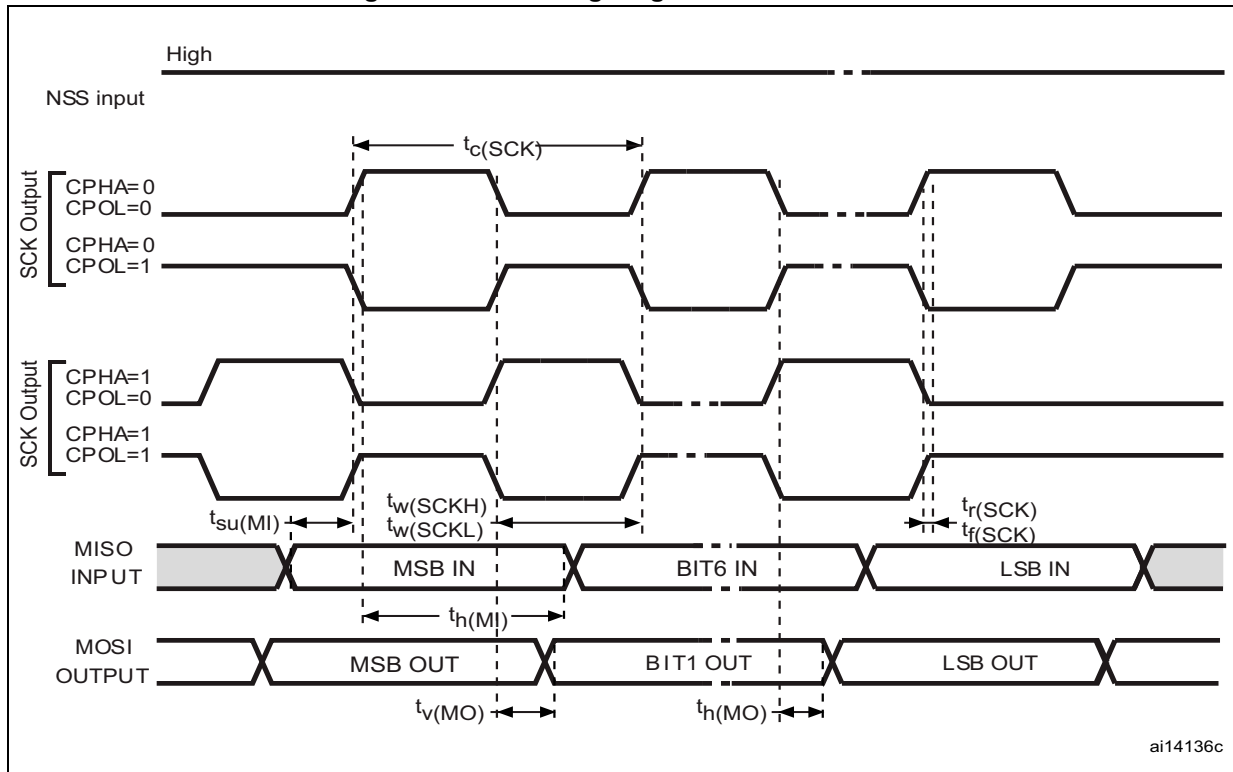
1. Measurement points are at CMOS levels: 0.3  $V_{DD}$  and 0.7  $V_{DD}$ .

Figure 41. SPI timing diagram in slave mode and with CPHA = 1



1. Measurement points are at CMOS levels: 0.3  $V_{DD}$  and 0.7  $V_{DD}$ .

Figure 42. SPI timing diagram - master mode



1. Measurement points are at CMOS levels:  $0.3 V_{DD}$  and  $0.7 V_{DD}$ .

10.3.10 I<sup>2</sup>C interface characteristicsTable 42. I<sup>2</sup>C characteristics

Symbol	Parameter	Standard mode I <sup>2</sup> C		Fast mode I <sup>2</sup> C <sup>(1)</sup>		Unit
		Min <sup>(2)</sup>	Max <sup>(2)</sup>	Min <sup>(2)</sup>	Max <sup>(2)</sup>	
t <sub>w(SCLL)</sub>	SCL clock low time	4.7	-	1.3	-	μs
t <sub>w(SCLH)</sub>	SCL clock high time	4.0	-	0.6	-	
t <sub>su(SDA)</sub>	SDA setup time	250	-	100	-	ns
t <sub>h(SDA)</sub>	SDA data hold time	0 <sup>(3)</sup>	-	0 <sup>(4)</sup>	900 <sup>(3)</sup>	
t <sub>r(SDA)</sub> t <sub>r(SCL)</sub>	SDA and SCL rise time (V <sub>DD</sub> 3 V to 5.5 V)	-	1000	-	300	
t <sub>f(SDA)</sub> t <sub>f(SCL)</sub>	SDA and SCL fall time (V <sub>DD</sub> 3 V to 5.5 V)	-	300	-	300	
t <sub>h(STA)</sub>	START condition hold time	4.0	-	0.6	-	
t <sub>su(STA)</sub>	Repeated START condition setup time	4.7	-	0.6	-	μs
t <sub>su(STO)</sub>	STOP condition setup time	4.0	-	0.6	-	μs
t <sub>w(STO:STA)</sub>	STOP to START condition time (bus free)	4.7	-	1.3	-	μs
C <sub>b</sub>	Capacitive load for each bus line	-	400	-	400	pF

1. f<sub>MASTER</sub> must be at least 8 MHz to achieve max fast I<sup>2</sup>C speed (400 kHz)
2. Data based on standard I<sup>2</sup>C protocol requirement, not tested in production
3. The maximum hold time of the start condition has only to be met if the interface does not stretch the low time
4. The device must internally provide a hold time of at least 300 ns for the SDA signal in order to bridge the undefined region of the falling edge of SCL

### 10.3.11 10-bit ADC characteristics

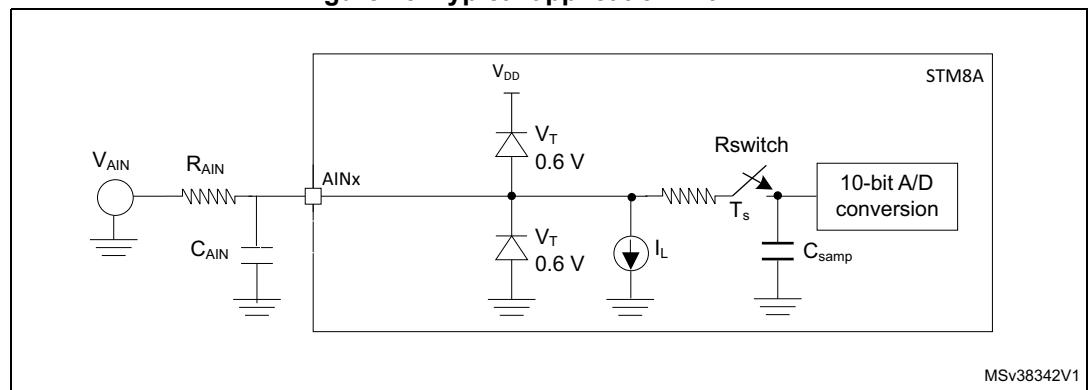
Subject to general operating conditions for  $V_{DDA}$ ,  $f_{MASTER}$  and  $T_A$  unless otherwise specified.

**Table 43. ADC characteristics**

Symbol	Parameter	Conditions	Min	Typ	Max	Unit
$f_{ADC}$	ADC clock frequency	-	111 kHz	-	4 MHz	kHz/MHz
$V_{DDA}$	Analog supply	-	3	-	5.5	V
$V_{REF+}$	Positive reference voltage	-	2.75	-	$V_{DDA}$	
$V_{REF-}$	Negative reference voltage	-	$V_{SSA}$	-	0.5	
$V_{AIN}$	Conversion voltage range <sup>(1)</sup>	-	$V_{SSA}$	-	$V_{DDA}$	
		Devices with external $V_{REF+}/V_{REF-}$ pins	$V_{REF-}$	-	$V_{REF+}$	
$C_{samp}$	Internal sample and hold capacitor	-	-	-	3	pF
$t_S^{(1)}$	Sampling time ( $3 \times 1/f_{ADC}$ )	$f_{ADC} = 2$ MHz	-	1.5	-	$\mu s$
		$f_{ADC} = 4$ MHz	-	0.75	-	
$t_{STAB}$	Wakeup time from standby	$f_{ADC} = 2$ MHz	-	7	-	
		$f_{ADC} = 4$ MHz	-	3.5	-	
$t_{CONV}$	Total conversion time including sampling time ( $14 \times 1/f_{ADC}$ )	$f_{ADC} = 2$ MHz	-	7	-	
		$f_{ADC} = 4$ MHz	-	3.5	-	
$R_{switch}$	Equivalent switch resistance	-	-	-	30	k $\Omega$

1. During the sample time, the sampling capacitance,  $C_{samp}$  (3 pF typ), can be charged/discharged by the external source. The internal resistance of the analog source must allow the capacitance to reach its final voltage level within  $t_S$ . After the end of the sample time  $t_S$ , changes of the analog input voltage have no effect on the conversion result.

**Figure 43. Typical application with ADC**



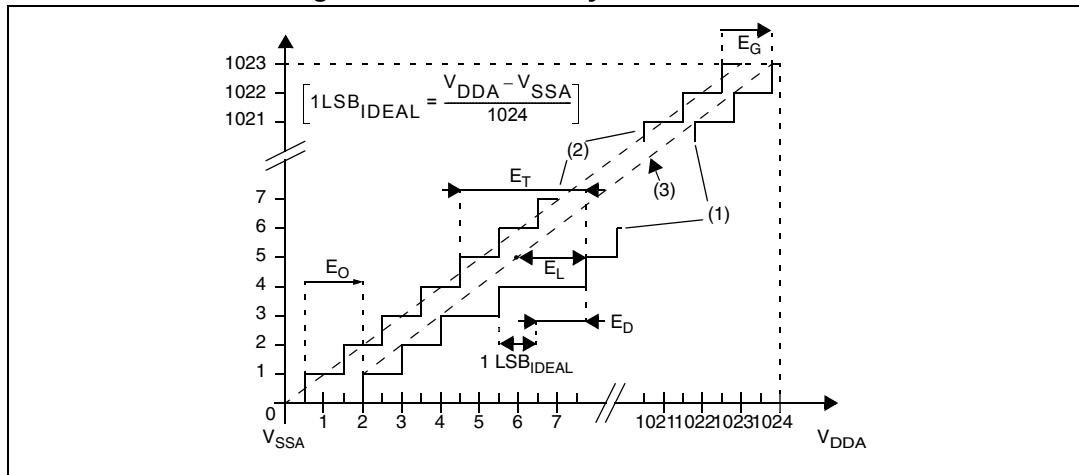
1. Legend:  $R_{AIN}$  = external resistance,  $C_{AIN}$  = capacitors,  $C_{samp}$  = internal sample and hold capacitor.

Table 44. ADC accuracy for  $V_{DDA} = 5\text{ V}$

Symbol	Parameter	Conditions	Typ	Max <sup>(1)</sup>	Unit
$ E_T $	Total unadjusted error <sup>(2)</sup>	$f_{ADC} = 2\text{ MHz}$	1.4	3 <sup>(3)</sup>	LSB
$ E_O $	Offset error <sup>(2)</sup>		0.8	3	
$ E_G $	Gain error <sup>(2)</sup>		0.1	2	
$ E_D $	Differential linearity error <sup>(2)</sup>		0.9	1	
$ E_L $	Integral linearity error <sup>(2)</sup>		0.7	1.5	
$ E_T $	Total unadjusted error <sup>(2)</sup>	$f_{ADC} = 4\text{ MHz}$	1.9 <sup>(4)</sup>	4 <sup>(4)</sup>	
$ E_O $	Offset error <sup>(2)</sup>		1.3 <sup>(4)</sup>	4 <sup>(4)</sup>	
$ E_G $	Gain error <sup>(2)</sup>		0.6 <sup>(4)</sup>	3 <sup>(4)</sup>	
$ E_D $	Differential linearity error <sup>(2)</sup>		1.5 <sup>(4)</sup>	2 <sup>(4)</sup>	
$ E_L $	Integral linearity error <sup>(2)</sup>		1.2 <sup>(4)</sup>	1.5 <sup>(4)</sup>	

1. Guaranteed by characterization results, not tested in production.
2. ADC accuracy vs. injection current: Any positive or negative injection current within the limits specified for  $I_{INJ(PIN)}$  and  $\Sigma I_{INJ(PIN)}$  in Section 10.3.6 does not affect the ADC accuracy.
3. TUE 2LSB can be reached on specific sales types on the whole temperature range.
4. Target values.

Figure 44. ADC accuracy characteristics



1. Example of an actual transfer curve
  2. The ideal transfer curve
  3. End point correlation line
- $E_T$  = Total unadjusted error: Maximum deviation between the actual and the ideal transfer curves.  
 $E_O$  = Offset error: Deviation between the first actual transition and the first ideal one.  
 $E_G$  = Gain error: Deviation between the last ideal transition and the last actual one.  
 $E_D$  = Differential linearity error: Maximum deviation between actual steps and the ideal one.  
 $E_L$  = Integral linearity error: Maximum deviation between any actual transition and the end point correlation line.

### 10.3.12 EMC characteristics

Susceptibility tests are performed on a sample basis during product characterization.

#### Functional EMS (electromagnetic susceptibility)

While executing a simple application (toggling 2 LEDs through I/O ports), the product is stressed by two electromagnetic events until a failure occurs (indicated by the LEDs).

- **ESD:** Electrostatic discharge (positive and negative) is applied on all pins of the device until a functional disturbance occurs. This test conforms with the IEC 1000-4-2 standard.
- **FTB:** A burst of fast transient voltage (positive and negative) is applied to  $V_{DD}$  and  $V_{SS}$  through a 100 pF capacitor, until a functional disturbance occurs. This test conforms with the IEC 1000-4-4 standard.

A device reset allows normal operations to be resumed. The test results are given in the table below based on the EMS levels and classes defined in application note AN1709.

#### Designing hardened software to avoid noise problems

EMC characterization and optimization are performed at component level with a typical application environment and simplified MCU software. It should be noted that good EMC performance is highly dependent on the user application and the software in particular.

Therefore it is recommended that the user applies EMC software optimization and prequalification tests in relation with the EMC level requested for his application.

#### Software recommendations

The software flowchart must include the management of runaway conditions such as:

- Corrupted program counter
- Unexpected reset
- Critical data corruption (control registers...)

#### Prequalification trials

Most of the common failures (unexpected reset and program counter corruption) can be recovered by applying a low state on the NRST pin or the oscillator pins for 1 second.

To complete these trials, ESD stress can be applied directly on the device, over the range of specification values. When unexpected behavior is detected, the software can be hardened to prevent unrecoverable errors occurring (see application note AN1015).

Table 45. EMS data

Symbol	Parameter	Conditions	Level/class
$V_{FESD}$	Voltage limits to be applied on any I/O pin to induce a functional disturbance	$V_{DD} = 3.3\text{ V}$ , $T_A = 25\text{ }^\circ\text{C}$ , $f_{MASTER} = 16\text{ MHz}$ (HSI clock), Conforms to IEC 1000-4-2	3/B
$V_{EFTB}$	Fast transient voltage burst limits to be applied through 100 pF on $V_{DD}$ and $V_{SS}$ pins to induce a functional disturbance	$V_{DD} = 3.3\text{ V}$ , $T_A = 25\text{ }^\circ\text{C}$ , $f_{MASTER} = 16\text{ MHz}$ (HSI clock), Conforms to IEC 1000-4-4	4/A

**Electromagnetic interference (EMI)**

Emission tests conform to the IEC 61967-2 standard for test software, board layout and pin loading.

**Table 46. EMI data**

Symbol	Parameter	Conditions					Unit
		General conditions	Monitored frequency band	Max f <sub>CPU</sub> <sup>(1)</sup>			
				8 MHz	16 MHz	24 MHz	
S <sub>EMI</sub>	Peak level	V <sub>DD</sub> = 5 V, T <sub>A</sub> = 25 °C, LQFP80 package conforming to IEC 61967-2	0.1 MHz to 30 MHz	15	17	22	dBμV
			30 MHz to 130 MHz	18	22	16	
			130 MHz to 1 GHz	-1	3	5	
	-		2	2.5	2.5		
	EMI level						

1. Guaranteed by characterization results, not tested in production.

**Absolute maximum ratings (electrical sensitivity)**

Based on two different tests (ESD and LU) using specific measurement methods, the product is stressed to determine its performance in terms of electrical sensitivity. For more details, refer to the application note AN1181.

**Electrostatic discharge (ESD)**

Electrostatic discharges (3 positive then 3 negative pulses separated by 1 second) are applied to the pins of each sample according to each pin combination. The sample size depends on the number of supply pins in the device (3 parts\*(n+1) supply pin). This test conforms to the JESD22-A114A/A115A standard. For more details, refer to the application note AN1181.

**Table 47. ESD absolute maximum ratings**

Symbol	Ratings	Conditions	Class	Maximum value <sup>(1)</sup>	Unit
V <sub>ESD(HBM)</sub>	Electrostatic discharge voltage (human body model)	T <sub>A</sub> = 25 °C, conforming to JESD22-A114	3A	4000	V
V <sub>ESD(CDM)</sub>	Electrostatic discharge voltage (charge device model)	T <sub>A</sub> = 25 °C, conforming to JESD22-C101	3	500	
V <sub>ESD(MM)</sub>	Electrostatic discharge voltage (charge device model)	T <sub>A</sub> = 25 °C, conforming to JESD22-A115	B	200	

1. Guaranteed by characterization results, not tested in production



**Static latch-up**

Two complementary static tests are required on 10 parts to assess the latch-up performance.

- A supply overvoltage (applied to each power supply pin) and
- A current injection (applied to each input, output and configurable I/O pin) are performed on each sample.

This test conforms to the EIA/JESD 78 IC latch-up standard. For more details, refer to the application note AN1181.

**Table 48. Electrical sensitivities**

Symbol	Parameter	Conditions	Class <sup>(1)</sup>
LU	Static latch-up class	T <sub>A</sub> = 25 °C	A
		T <sub>A</sub> = 85 °C	
		T <sub>A</sub> = 125 °C	
		T <sub>A</sub> = 150 °C	

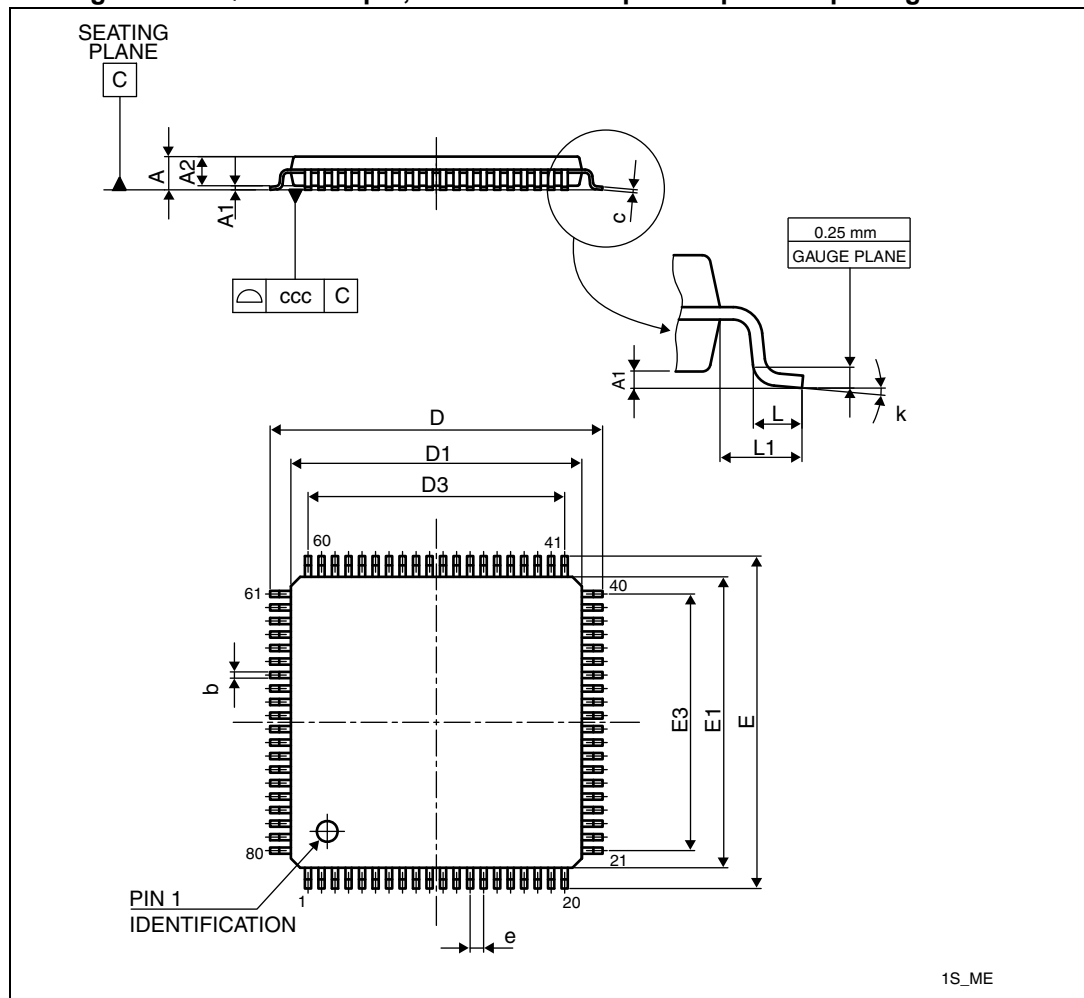
1. Class description: A Class is an STMicroelectronics internal specification. All its limits are higher than the JEDEC specifications, that means when a device belongs to class A it exceeds the JEDEC standard. B class strictly covers all the JEDEC criteria (international standard).

# 11 Package information

In order to meet environmental requirements, ST offers these devices in different grades of ECOPACK® packages, depending on their level of environmental compliance. ECOPACK® specifications, grade definitions and product status are available at: [www.st.com](http://www.st.com). ECOPACK® is an ST trademark.

## 11.1 LQFP80 package information

Figure 45. LQFP80 - 80-pin, 14 x 14 mm low-profile quad flat package outline



1. Drawing is not to scale.

Table 49. LQFP80 - 80-pin, 14 x 14 mm low-profile quad flat package mechanical data<sup>(1)</sup>

Symbol	millimeters			inches		
	Min	Typ	Max	Min	Typ	Max
A	-	-	1.600	-	-	0.0630
A1	0.050	-	0.150	0.0020	-	0.0059
A2	1.350	1.400	1.450	0.0531	0.0551	0.0571
b	0.220	0.320	0.380	0.0087	0.0126	0.0150
c	0.090	-	0.200	0.0035	-	0.0079
D	15.800	16.000	16.200	0.6220	0.6299	0.6378
D1	13.800	14.000	14.200	0.5433	0.5512	0.5591
D3	-	12.350	-	-	0.4862	-
E	15.800	16.000	16.200	0.6220	0.6299	0.6378
E1	13.800	14.000	14.200	0.5433	0.5512	0.5591
E3	-	12.350	-	-	0.4862	-
e	-	0.650	-	-	0.0256	-
L	0.450	0.600	0.750	0.0177	0.0236	0.0295
L1	-	1.000	-	-	0.0394	-
k	0°	3.5°	7°	0°	3.5°	7°
ccc	-	-	0.100	-	-	0.0039

1. Values in inches are converted from mm and rounded to 4 decimal digits.

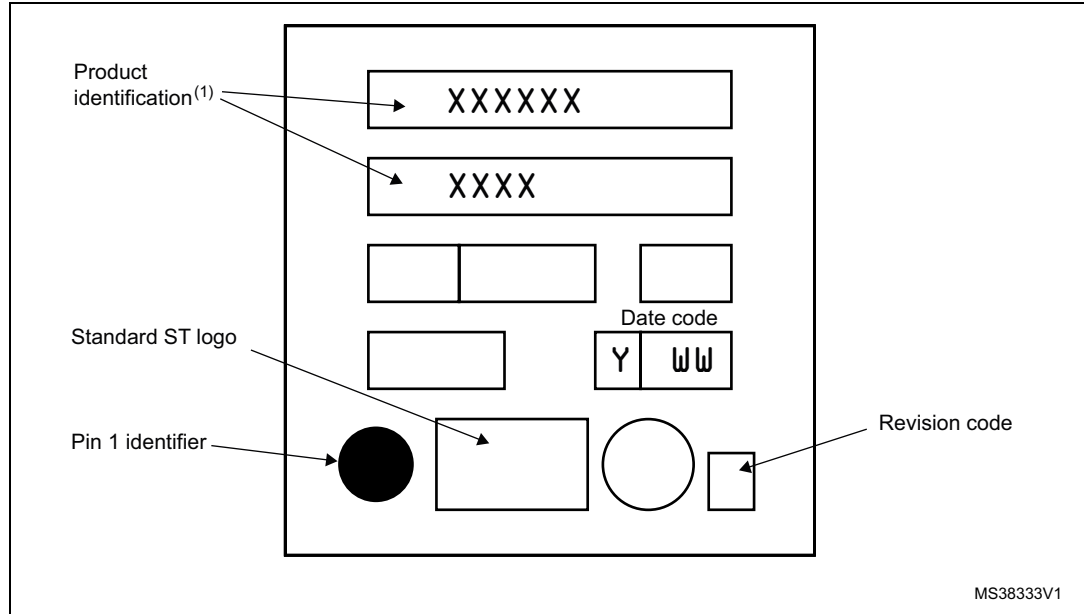


**Device marking**

The following figure gives an example of topside marking orientation versus pin 1 identifier location.

Other optional marking or inset/upset marks, which identify the parts throughout supply chain operations, are not indicated below.

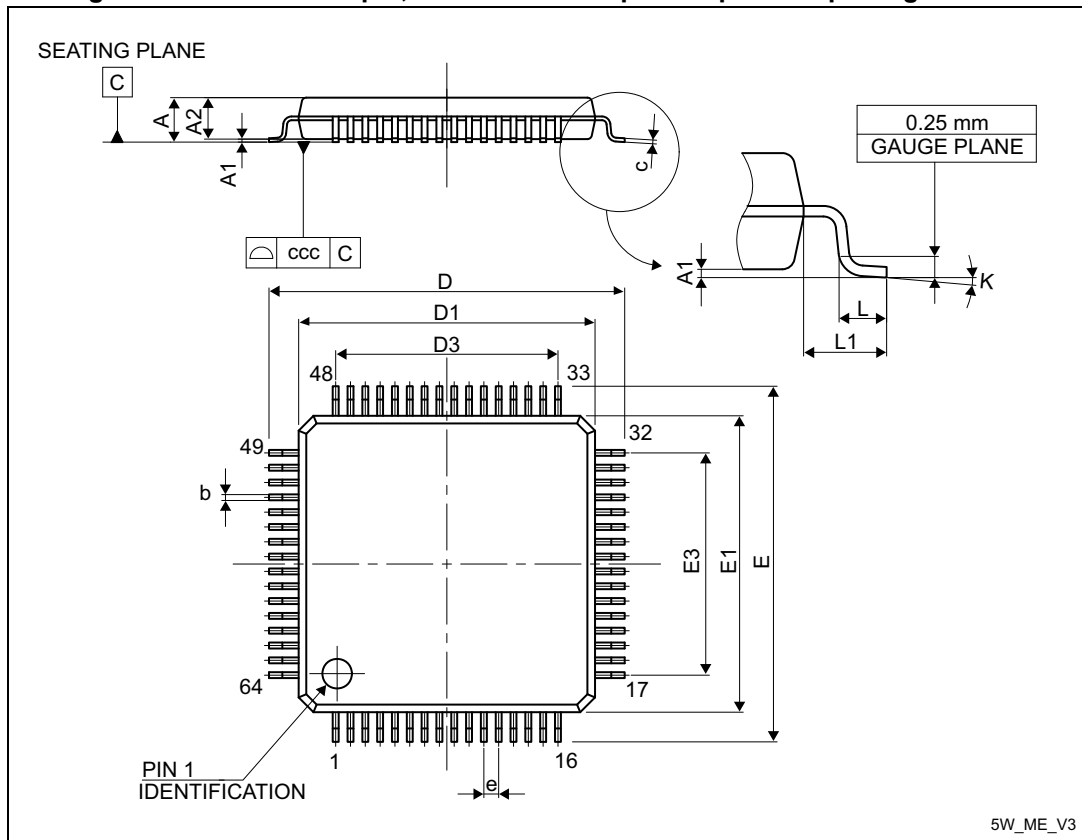
**Figure 47. LQFP80 marking example (package top view)**



1. Parts marked as "ES", "E" or accompanied by an Engineering Sample notification letter are not yet qualified and therefore not approved for use in production. ST is not responsible for any consequences resulting from such use. In no event will ST be liable for the customer using any of these engineering samples in production. ST's quality department must be contacted to run a qualification activity prior to any decision to use these engineering samples.

## 11.2 LQFP64 package information

Figure 48. LQFP64 - 64-pin, 10 x 10 mm low-profile quad flat package outline



1. Drawing is not to scale.

Table 50. LQFP64 - 64-pin, 10 x 10 mm low-profile quad flat package mechanical data

Symbol	millimeters			inches <sup>(1)</sup>		
	Min	Typ	Max	Min	Typ	Max
A	-	-	1.600	-	-	0.0630
A1	0.050	-	0.150	0.0020	-	0.0059
A2	1.350	1.400	1.450	0.0531	0.0551	0.0571
b	0.170	0.220	0.270	0.0067	0.0087	0.0106
c	0.090	-	0.200	0.0035	-	0.0079
D	-	12.000	-	-	0.4724	-
D1	-	10.000	-	-	0.3937	-
D3	-	7.500	-	-	0.2953	-
E	-	12.000	-	-	0.4724	-
E1	-	10.000	-	-	0.3937	-

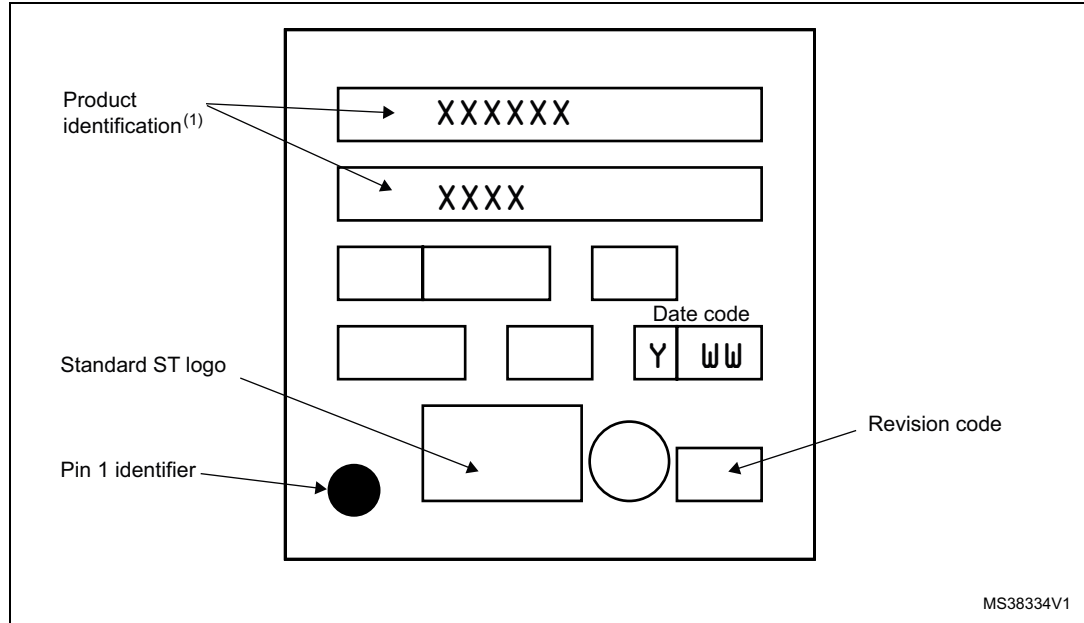


### Device marking

The following figure gives an example of topside marking orientation versus pin 1 identifier location.

Other optional marking or inset/upset marks, which identify the parts throughout supply chain operations, are not indicated below.

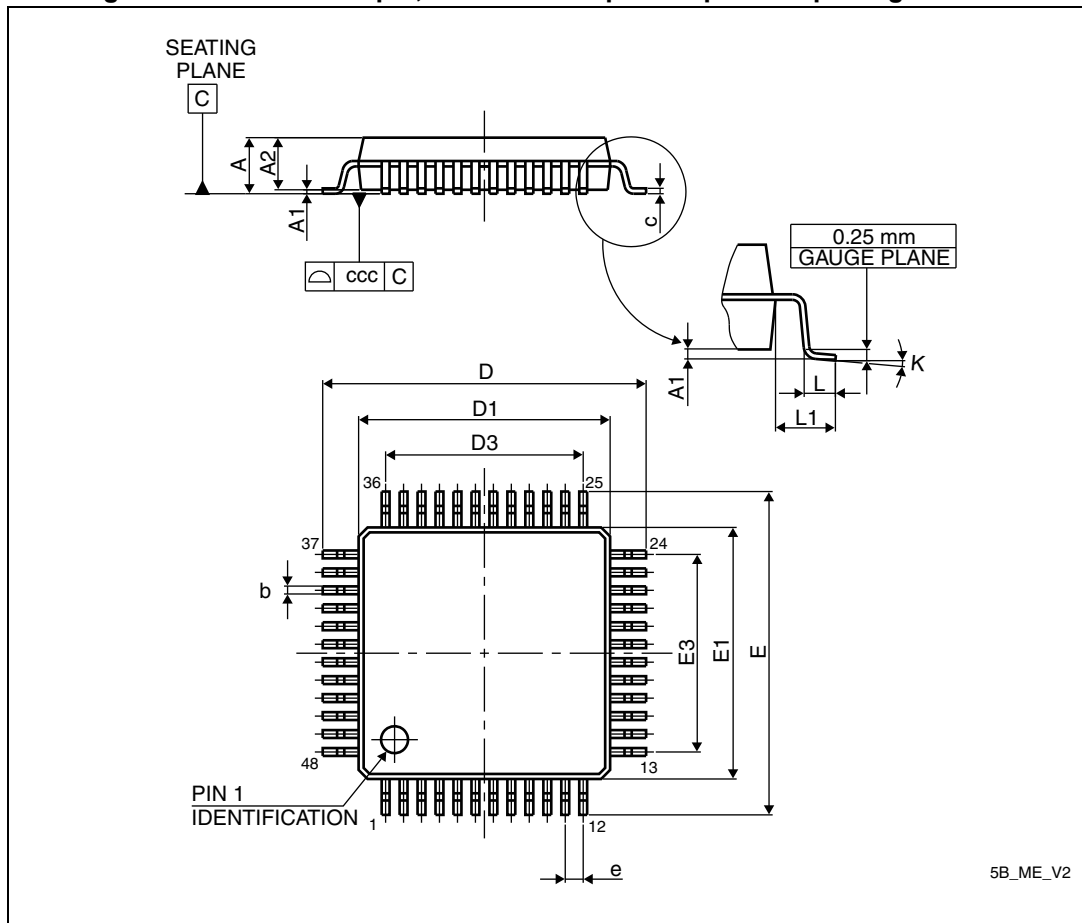
Figure 50. LQFP64 marking example (package top view)



1. Parts marked as "ES", "E" or accompanied by an Engineering Sample notification letter are not yet qualified and therefore not approved for use in production. ST is not responsible for any consequences resulting from such use. In no event will ST be liable for the customer using any of these engineering samples in production. ST's quality department must be contacted to run a qualification activity prior to any decision to use these engineering samples.

### 11.3 LQFP48 package information

Figure 51. LQFP48 - 48-pin, 7 x 7 mm low-profile quad flat package outline



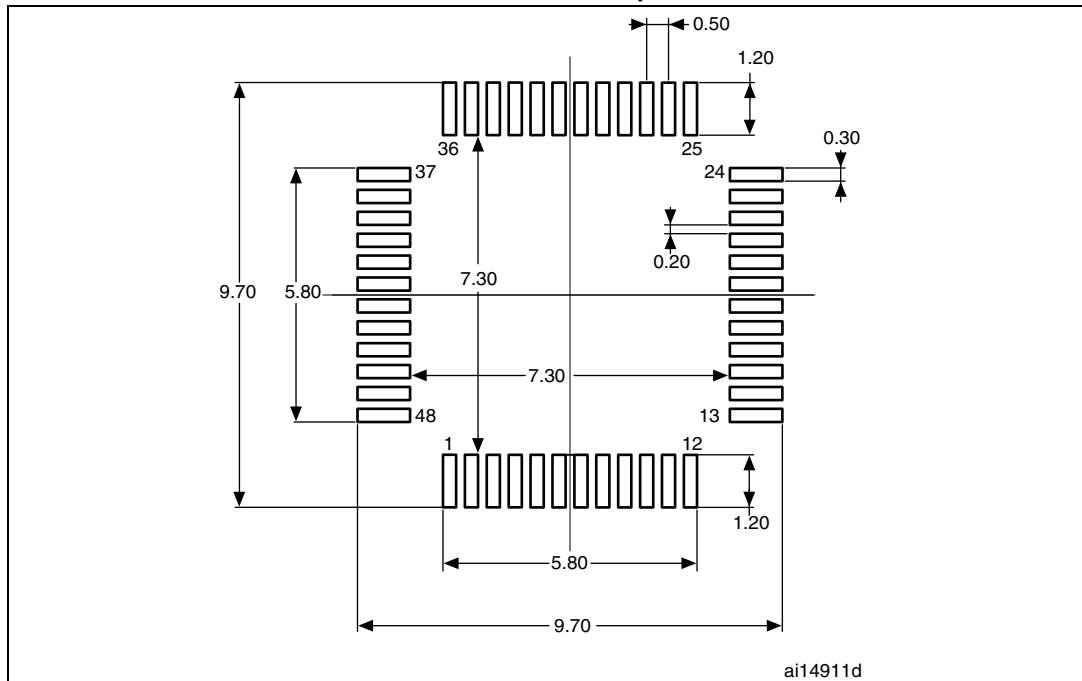
1. Drawing is not to scale.

Table 51. LQFP48 - 48-pin, 7 x 7 mm low-profile quad flat package mechanical data

Symbol	millimeters			inches <sup>(1)</sup>		
	Min	Typ	Max	Min	Typ	Max
A	-	-	1.600	-	-	0.0630
A1	0.050	-	0.150	0.0020	-	0.0059
A2	1.350	1.400	1.450	0.0531	0.0551	0.0571
b	0.170	0.220	0.270	0.0067	0.0087	0.0106
c	0.090	-	0.200	0.0035	-	0.0079
D	8.800	9.000	9.200	0.3465	0.3543	0.3622
D1	6.800	7.000	7.200	0.2677	0.2756	0.2835
D3	-	5.500	-	-	0.2165	-
E	8.800	9.000	9.200	0.3465	0.3543	0.3622
E1	6.800	7.000	7.200	0.2677	0.2756	0.2835
E3	-	5.500	-	-	0.2165	-
e	-	0.500	-	-	0.0197	-
L	0.450	0.600	0.750	0.0177	0.0236	0.0295
L1	-	1.000	-	-	0.0394	-
k	0°	3.5°	7°	0°	3.5°	7°
ccc	-	-	0.080	-	-	0.0031

1. Values in inches are converted from mm and rounded to 4 decimal digits.

Figure 52. LQFP48 - 48-pin, 7 x 7 mm low-profile quad flat package recommended footprint



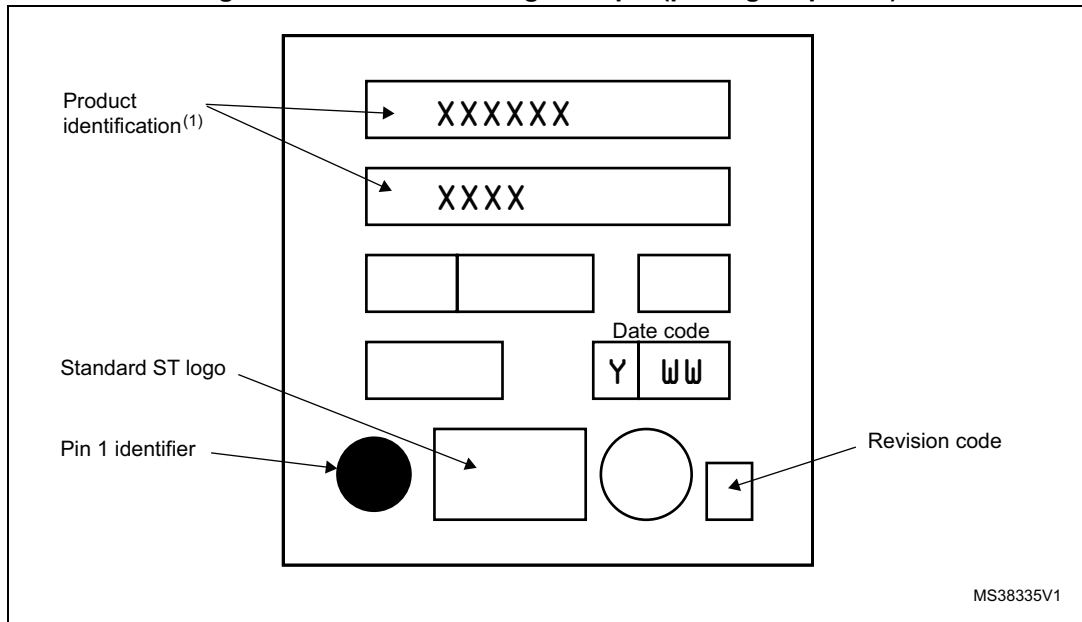
1. Dimensions are expressed in millimeters.

**Device marking**

The following figure gives an example of topside marking orientation versus pin 1 identifier location.

Other optional marking or inset/upset marks, which identify the parts throughout supply chain operations, are not indicated below.

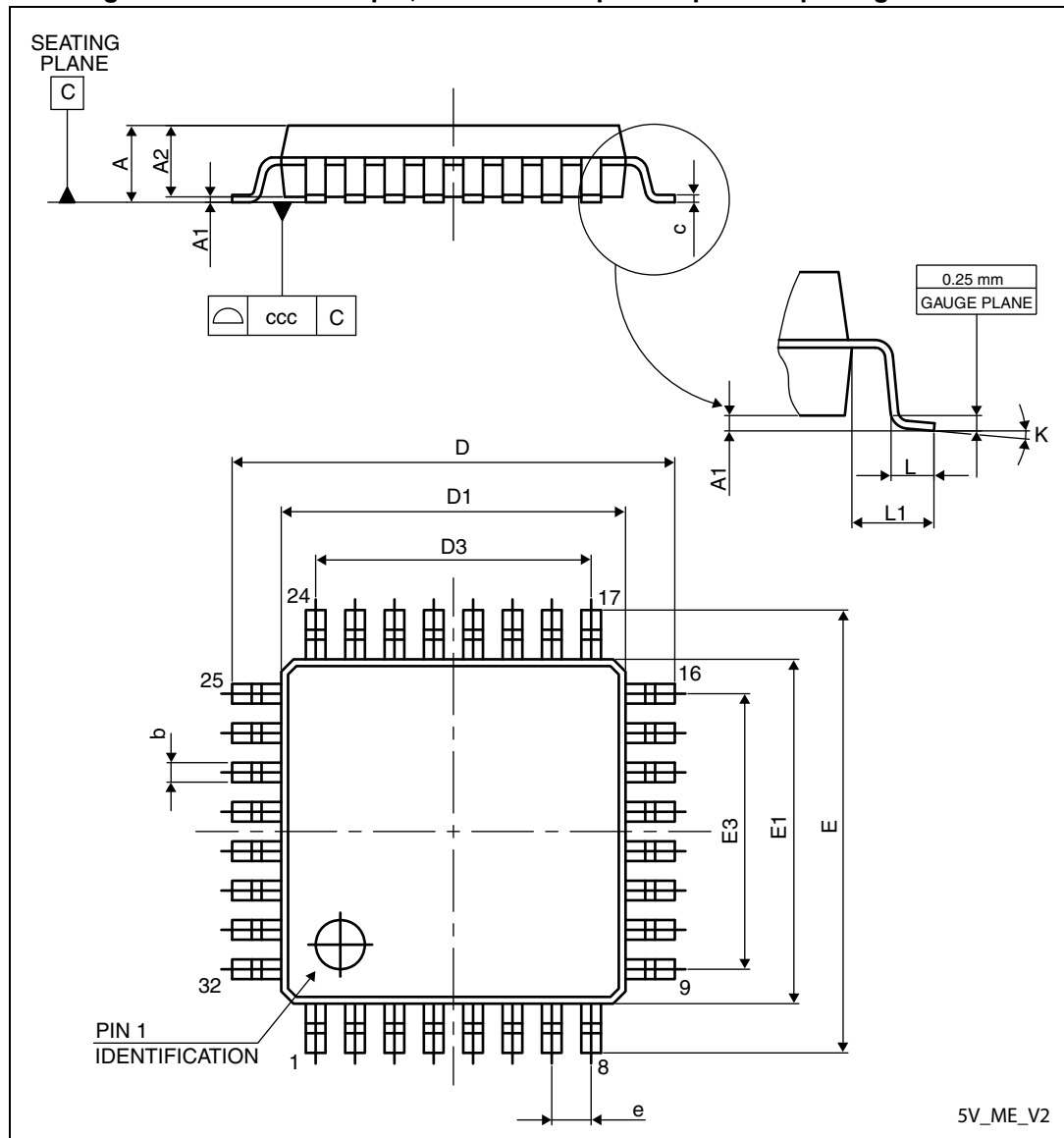
Figure 53. LQFP48 marking example (package top view)



1. Parts marked as "ES", "E" or accompanied by an Engineering Sample notification letter are not yet qualified and therefore not approved for use in production. ST is not responsible for any consequences resulting from such use. In no event will ST be liable for the customer using any of these engineering samples in production. ST's quality department must be contacted to run a qualification activity prior to any decision to use these engineering samples.

### 11.4 LQFP32 package information

Figure 54. LQFP32 - 32-pin, 7 x 7 mm low-profile quad flat package outline



1. Drawing is not to scale.

Table 52. LQFP32 - 32-pin, 7 x 7 mm low-profile quad flat package mechanical data

Symbol	millimeters			inches <sup>(1)</sup>		
	Min	Typ	Max	Min	Typ	Max
A	-	-	1.600	-	-	0.0630
A1	0.050	-	0.150	0.0020	-	0.0059
A2	1.350	1.400	1.450	0.0531	0.0551	0.0571
b	0.300	0.370	0.450	0.0118	0.0146	0.0177
c	0.090	-	0.200	0.0035	-	0.0079
D	8.800	9.000	9.200	0.3465	0.3543	0.3622
D1	6.800	7.000	7.200	0.2677	0.2756	0.2835
D3	-	5.600	-	-	0.2205	-
E	8.800	9.000	9.200	0.3465	0.3543	0.3622
E1	6.800	7.000	7.200	0.2677	0.2756	0.2835
E3	-	5.600	-	-	0.2205	-
e	-	0.800	-	-	0.0315	-
L	0.450	0.600	0.750	0.0177	0.0236	0.0295
L1	-	1.000	-	-	0.0394	-
k	0°	3.5°	7°	0°	3.5°	7°
ccc	-	-	0.100	-	-	0.0039

1. Values in inches are converted from mm and rounded to 4 decimal digits.

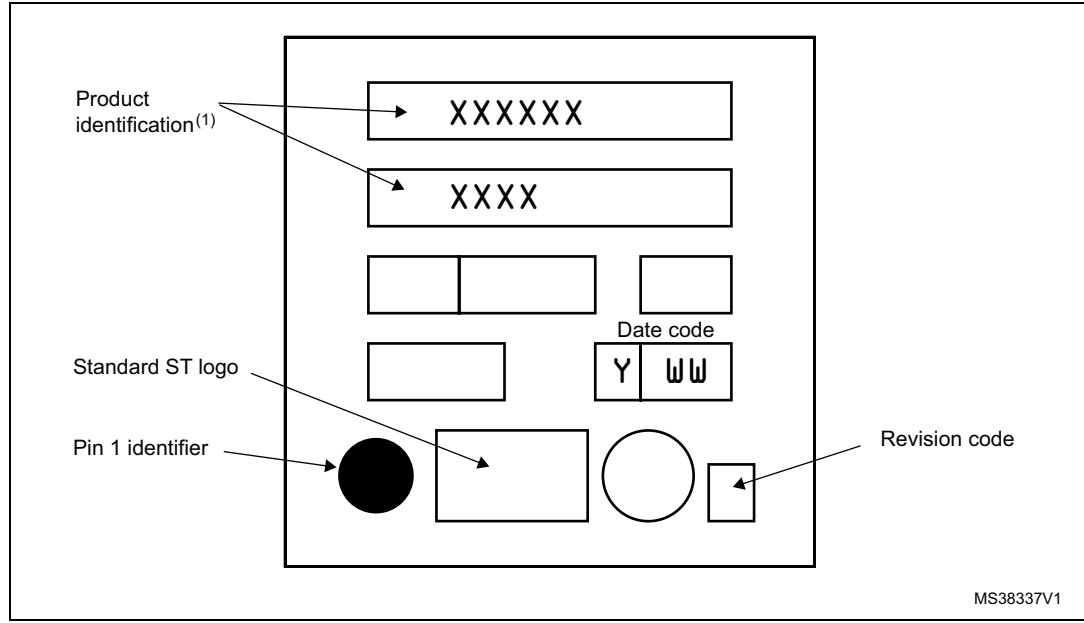


### Device marking

The following figure gives an example of topside marking orientation versus pin 1 identifier location.

Other optional marking or inset/upset marks, which identify the parts throughout supply chain operations, are not indicated below.

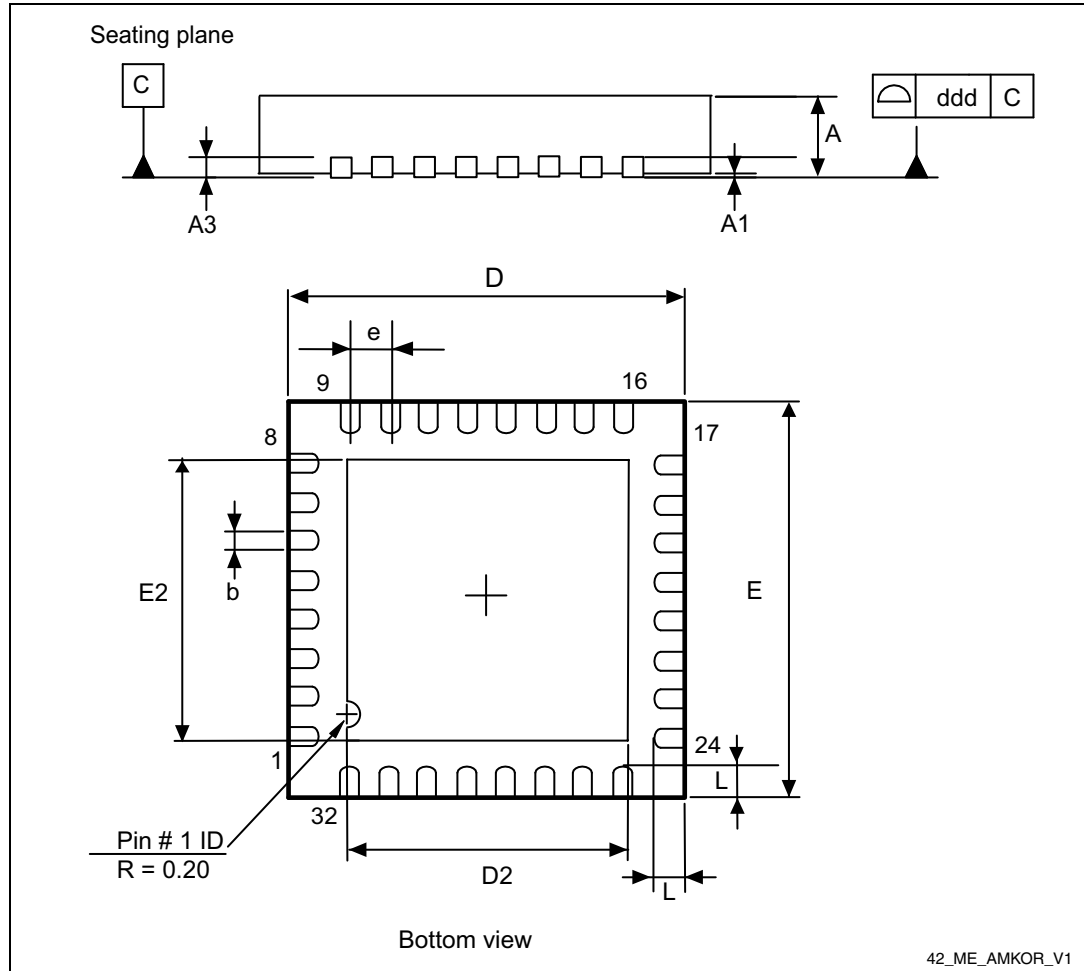
Figure 56. LQFP32 marking example (package top view)



1. Parts marked as "ES", "E" or accompanied by an Engineering Sample notification letter are not yet qualified and therefore not approved for use in production. ST is not responsible for any consequences resulting from such use. In no event will ST be liable for the customer using any of these engineering samples in production. ST's quality department must be contacted to run a qualification activity prior to any decision to use these engineering samples.

### 11.5 VFQFPN32 package information

Figure 57. VFQFPN32 - 32-pin, 5x5 mm, 0.5 mm pitch very thin profile fine pitch quad flat package outline



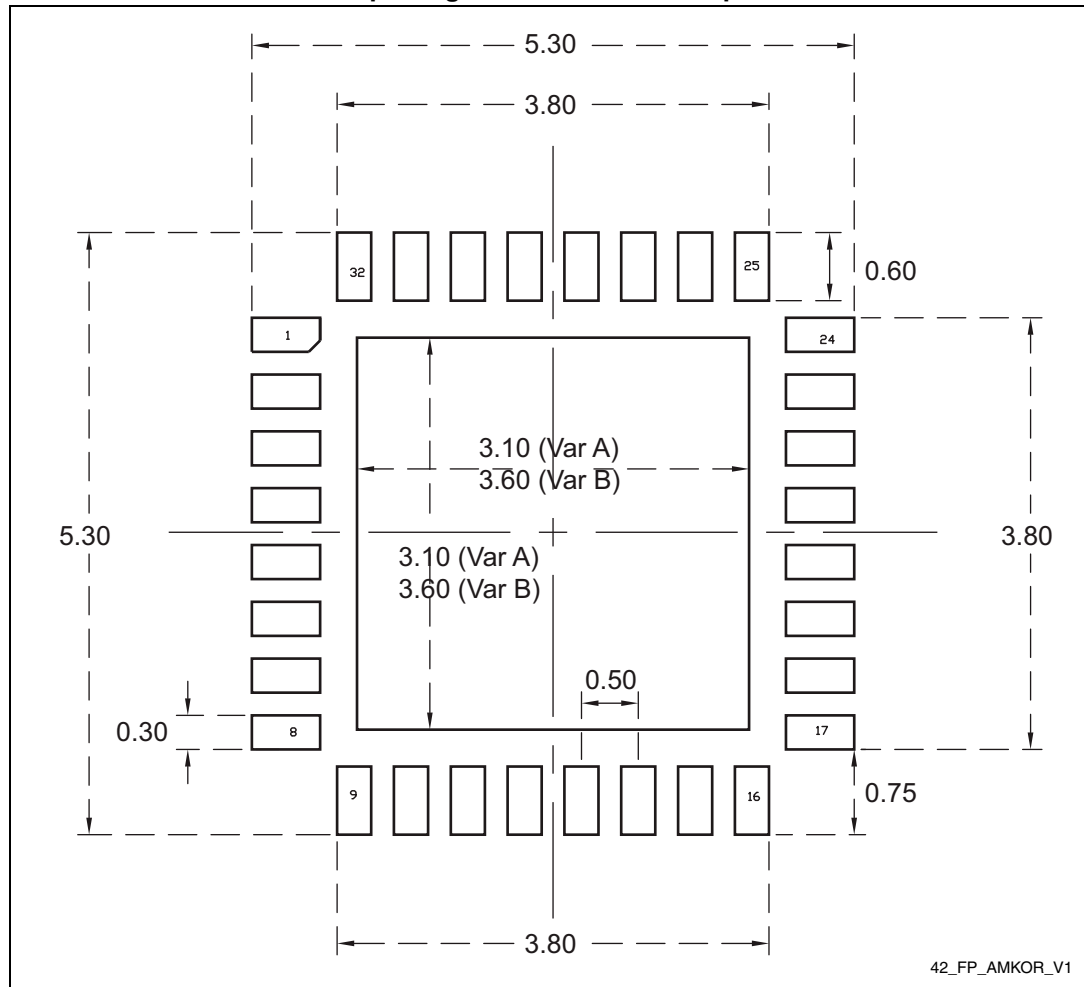
1. Drawing is not to scale.

**Table 53. VFQFPN32 - 32-pin, 5 x 5 mm, 0.5 mm pitch very thin profile fine pitch quad flat package mechanical data**

Symbol	millimeters			inches <sup>(1)</sup>		
	Min	Typ	Max	Min	Typ	Max
A	0.800	0.900	1.000	0.0315	0.0354	0.0394
A1	0.000	0.020	0.050	0.0000	0.0008	0.0020
A3	-	0.200	-	-	0.0079	-
b	0.180	0.250	0.300	0.0071	0.0098	0.0118
D	4.850	5.000	5.150	0.1909	0.1969	0.2028
D2	3.500	3.600	3.700	0.1378	0.1417	0.1457
E	4.850	5.000	5.150	0.1909	0.1969	0.2028
E2	3.500	3.600	3.700	0.1378	0.1417	0.1457
e	-	0.500	-	-	0.0197	-
L	0.300	0.400	0.500	0.0118	0.0157	0.0197
ddd	-	-	0.050	-	-	0.0020

1. Values in inches are converted from mm and rounded to 4 decimal digits.

Figure 58. VFQFPN32 - 32-pin, 5 x 5 mm, 0.5 mm pitch very thin profile fine pitch quad flat package recommended footprint



42\_FP\_AMKOR\_V1

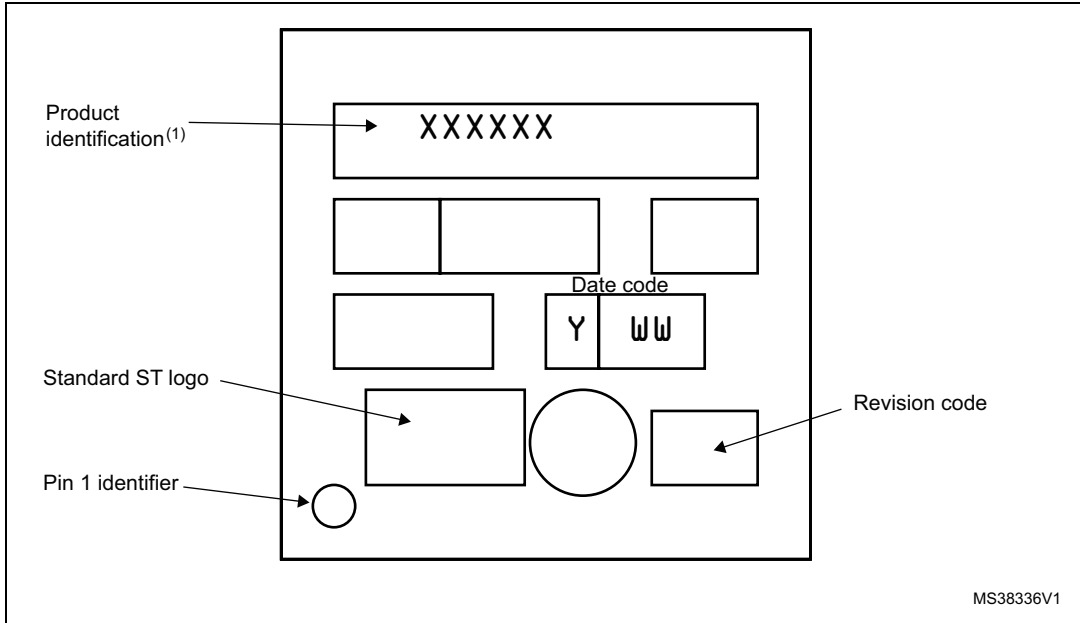
1. Dimensions are expressed in millimeters.

### Device marking

The following figure gives an example of topside marking orientation versus pin 1 identifier location.

Other optional marking or inset/upset marks, which identify the parts throughout supply chain operations, are not indicated below.

Figure 59. VFQFPN32 marking example (package top view)



1. Parts marked as "ES", "E" or accompanied by an Engineering Sample notification letter are not yet qualified and therefore not approved for use in production. ST is not responsible for any consequences resulting from such use. In no event will ST be liable for the customer using any of these engineering samples in production. ST's quality department must be contacted to run a qualification activity prior to any decision to use these engineering samples.

## 11.6 Thermal characteristics

In case the maximum chip junction temperature ( $T_{Jmax}$ ) specified in [Table 24: General operating conditions](#) is exceeded, the functionality of the device cannot be guaranteed.

$T_{Jmax}$ , in degrees Celsius, may be calculated using the following equation:

$$T_{Jmax} = T_{Amax} + (P_{Dmax} \times \Theta_{JA})$$

where:

$T_{Amax}$  is the maximum ambient temperature in °C

$\Theta_{JA}$  is the package junction-to-ambient thermal resistance in °C/W

$P_{Dmax}$  is the sum of  $P_{INTmax}$  and  $P_{I/Omax}$  ( $P_{Dmax} = P_{INTmax} + P_{I/Omax}$ )

$P_{INTmax}$  is the product of  $I_{DD}$  and  $V_{DD}$ , expressed in Watts. This is the maximum chip internal power.

$P_{I/Omax}$  represents the maximum power dissipation on output pins

where:

$$P_{I/Omax} = \Sigma (V_{OL} * I_{OL}) + \Sigma((V_{DD} - V_{OH}) * I_{OH})$$

taking into account the actual  $V_{OL} / I_{OL}$  and  $V_{OH} / I_{OH}$  of the I/Os at low- and high-level in the application.

**Table 54. Thermal characteristics<sup>(1)</sup>**

Symbol	Parameter	Value	Unit
$\Theta_{JA}$	Thermal resistance junction-ambient LQFP 80 - 14 x 14 mm	38	°C/W
	Thermal resistance junction-ambient LQFP 64 - 10 x 10 mm	46	
	Thermal resistance junction-ambient LQFP 48 - 7 x 7 mm	57	
	Thermal resistance junction-ambient LQFP 32 - 7 x 7 mm	59	
	Thermal resistance junction-ambient VFQFPN 32 - 5 x 5 mm	25	

1. Thermal resistances are based on JEDEC JESD51-2 with 4-layer PCB in a natural convection environment.

### 11.6.1 Reference document

JESD51-2 integrated circuits thermal test method environment conditions - natural convection (still air). Available from [www.jedec.org](http://www.jedec.org).

## 11.6.2 Selecting the product temperature range

When ordering the microcontroller, the temperature range is specified in the order code (see [Figure 60: STM8AF526x/8x/Ax and STM8AF6269/8x/Ax ordering information scheme 1 on page 111](#)).

The following example shows how to calculate the temperature range needed for a given application.

Assuming the following application conditions:

- Maximum ambient temperature  $T_{Amax} = 82\text{ °C}$  (measured according to JESD51-2)
- $I_{DDmax} = 8\text{ mA}$
- $V_{DD} = 5\text{ V}$
- maximum 20 I/Os used at the same time in output at low-level with  $I_{OL} = 8\text{ mA}$
- $V_{OL} = 0.4\text{ V}$

$$P_{INTmax} = 8\text{ mA} \times 5\text{ V} = 400\text{ mW}$$

$$P_{IOmax} = 20 \times 8\text{ mA} \times 0.4\text{ V} = 64\text{ mW}$$

This gives:

$$P_{INTmax} = 400\text{ mW} \text{ and } P_{IOmax} = 64\text{ mW}$$

$$P_{Dmax} = 400\text{ mW} + 64\text{ mW}$$

Thus:

$$P_{Dmax} = 464\text{ mW}.$$

Using the values obtained in [Table 54: Thermal characteristics](#)  $T_{Jmax}$  is calculated as follows:

For LQFP64  $46\text{ °C/W}$

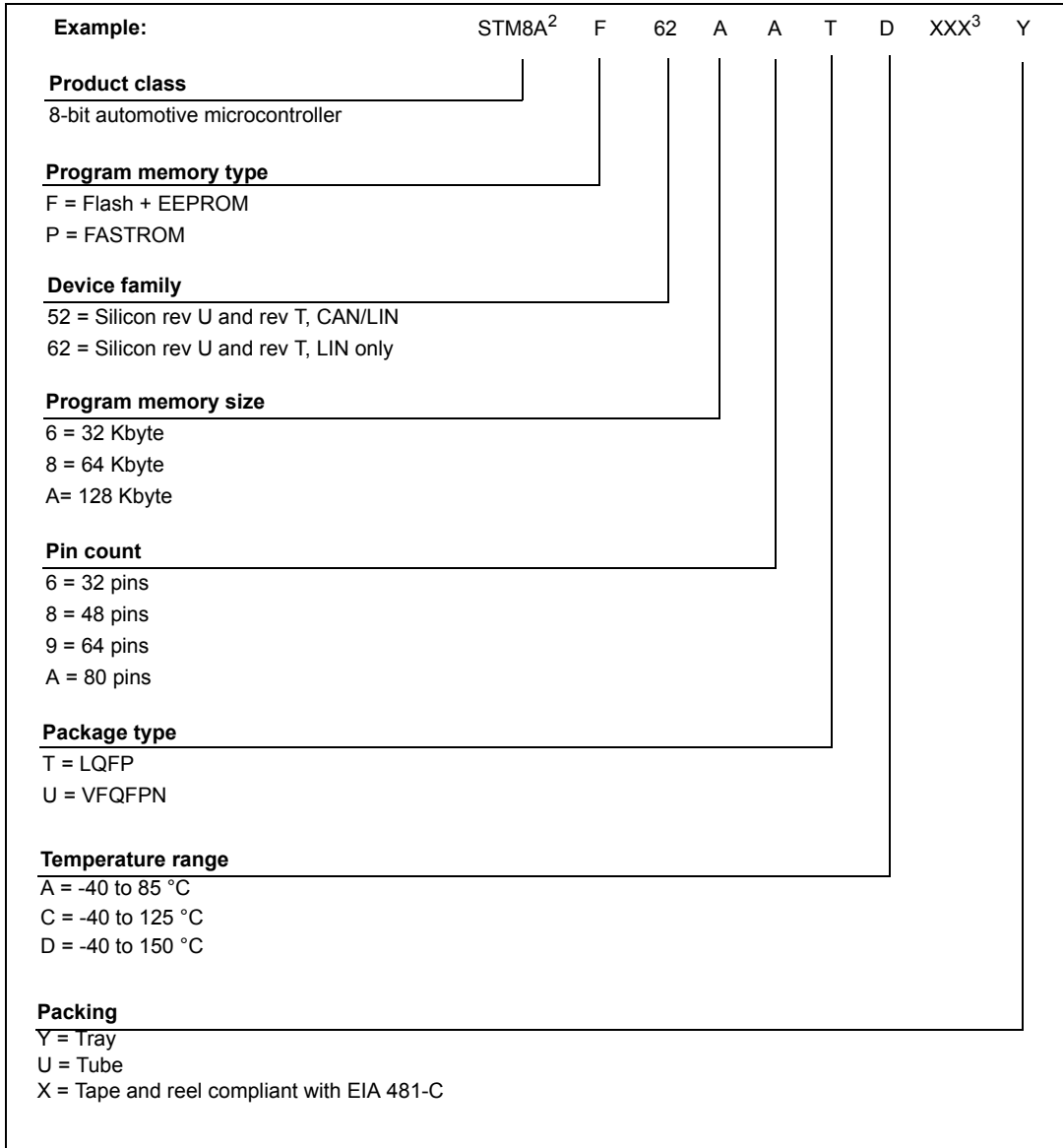
$$T_{Jmax} = 82\text{ °C} + (46\text{ °C/W} \times 464\text{ mW}) = 82\text{ °C} + 21\text{ °C} = 103\text{ °C}$$

This is within the range of the suffix C version parts ( $-40\text{ °C} < T_j < 125\text{ °C}$ ).

Parts must be ordered at least with the temperature range suffix C.

# 12 Ordering information

Figure 60. STM8AF526x/8x/Ax and STM8AF6269/8x/Ax ordering information scheme<sup>1</sup>



1. For a list of available options (e.g. memory size, package) and orderable part numbers or for further information on any aspect of this device, please go to [www.st.com](http://www.st.com) or contact the nearest ST Sales Office.
2. Qualified and characterized according to AEC Q100 and Q003 or equivalent, advanced screening according to AEC Q001 and Q002 or equivalent.
3. Customer specific FASTROM code or custom device configuration. This field shows 'SSS' if the device contains a super set silicon, usually equipped with bigger memory and more I/Os. This silicon is supposed to be replaced later by the target silicon.

## 13 STM8 development tools

Development tools for the STM8A microcontrollers include the

- STice emulation system offering tracing and code profiling
- STVD high-level language debugger including assembler and visual development environment - seamless integration of third party C compilers
- STVP Flash programming software

In addition, the STM8A comes with starter kits, evaluation boards and low-cost in-circuit debugging/programming tools.

### 13.1 Emulation and in-circuit debugging tools

The STM8 tool line includes the STice emulation system offering a complete range of emulation and in-circuit debugging features on a platform that is designed for versatility and cost-effectiveness. In addition, STM8A application development is supported by a low-cost in-circuit debugger/programmer.

The STice is the fourth generation of full-featured emulators from STMicroelectronics. It offers new advanced debugging capabilities including tracing, profiling and code coverage analysis to help detect execution bottlenecks and dead code.

In addition, STice offers in-circuit debugging and programming of STM8A microcontrollers via the STM8 single wire interface module (SWIM), which allows non-intrusive debugging of an application while it runs on the target microcontroller.

For improved cost effectiveness, STice is based on a modular design that allows users to order exactly what they need to meet their development requirements and to adapt their emulation system to support existing and future ST microcontrollers.

#### 13.1.1 STice key features

- Program and data trace recording up to 128 K records
- Advanced breakpoints with up to 4 levels of conditions
- Data breakpoints
- Real-time read/write of all device resources during emulation
- Occurrence and time profiling and code coverage analysis (new features)
- In-circuit debugging/programming via SWIM protocol
- 8-bit probe analyzer
- 1 input and 2 output triggers
- USB 2.0 high-speed interface to host PC
- Power supply follower managing application voltages between 1.62 to 5.5 V
- Modularity that allows users to specify the components they need to meet their development requirements and adapt to future requirements
- Supported by free software tools that include integrated development environment (IDE), programming software interface and assembler for STM8.

## 13.2 Software tools

STM8 development tools are supported by a complete, free software package from STMicroelectronics that includes ST visual develop (STVD) IDE and the ST visual programmer (STVP) software interface. STVD provides seamless integration of the Cosmic and Raisonance C compilers for STM8.

### 13.2.1 STM8 toolset

The STM8 toolset with STVD integrated development environment and STVP programming software is available for free download at [www.st.com](http://www.st.com). This package includes:

#### ST visual develop

Full-featured integrated development environment from STMicroelectronics, featuring:

- Seamless integration of C and ASM toolsets
- Full-featured debugger
- Project management
- Syntax highlighting editor
- Integrated programming interface
- Support of advanced emulation features for STice such as code profiling and coverage

#### ST visual programmer (STVP)

Easy-to-use, unlimited graphical interface allowing read, write and verification of the STM8A microcontroller's Flash memory. STVP also offers project mode for saving programming configurations and automating programming sequences.

### 13.2.2 C and assembly toolchains

Control of C and assembly toolchains is seamlessly integrated into the STVD integrated development environment, making it possible to configure and control the building of the application directly from an easy-to-use graphical interface. Available toolchains include:

#### C compiler for STM8

All compilers are available in free version with a limited code size depending on the compiler. For more information, refer to [www.cosmic-software.com](http://www.cosmic-software.com), [www.raisonance.com](http://www.raisonance.com), and [www.iar.com](http://www.iar.com).

#### STM8 assembler linker

Free assembly toolchain included in the STM8 toolset, which allows users to assemble and link their application source code.

### 13.3 Programming tools

During the development cycle, STice provides in-circuit programming of the STM8A Flash microcontroller on the application board via the SWIM protocol. Additional tools are to include a low-cost in-circuit programmer as well as ST socket boards, which provide dedicated programming platforms with sockets for programming the STM8A.

For production environments, programmers will include a complete range of gang and automated programming solutions from third-party tool developers already supplying programmers for the STM8 family.

# 14 Revision history

**Table 55. Document revision history**

Date	Revision	Changes
31-Jan-2008	1	Initial release
22-Aug-2008	2	<p>Added 'H' products to the datasheet (Flash no EEPROM).</p> <p><i>Section : Features</i> on cover page: Updated Memories, Reset and supply management, Communication interfaces and I/Os; reduced wakeup pins by 1.</p> <p><i>Table 1: Device summary</i>: Removed STM8AF6168, STM8AF6148, STM8AF6166, STM8AF6146, STM8AF5168, STM8AF5186, STM8AF5176, and STM8AF5166.</p> <p><i>Section 1: Introduction, Section 5: Product overview, Section 9: Option bytes, Section 6.2: Alternate function remapping, Table 21: Current characteristics</i>: Updated reference documentation: RM0009, PM0047, and UM0470.</p> <p><i>Section 2: Description</i>: added information about peak performance.</p> <p><i>Section 3: Product line-up</i>: Removed <i>STM8A common features</i> table.</p> <p><i>Table 4: Peripheral clock gating bits (CLK_PCKENR1)</i>: Removed STM8AF5186T, STM8AF5176T, STM8AF5168T, and STM8AF5166T.</p> <p><i>Table 5: Peripheral clock gating bits (CLK_PCKENR2)</i>: Removed STM8AF6168T, STM8AF6166T, STM8AF6148T, and STM8AF6146T.</p> <p><i>Section 5: Product overview</i>: Made minor content changes and improved readability and layout.</p> <p><i>Section 5.5.3: 128 kHz low-speed internal RC oscillator (LSI)</i>: Major modification, TMU included.</p> <p><i>Section 5.5.2: 16 MHz high-speed internal RC oscillator (HSI)</i>: User trimming updated.</p> <p><i>Section 5.5.3: 128 kHz low-speed internal RC oscillator (LSI)</i>: LSI as CPU clock added.</p> <p><i>Section 5.5.4: 24 MHz high-speed external crystal oscillator (HSE), Section 5.5.5: External clock input</i>: Maximum frequency conditional 32 Kbyte/128 Kbyte.</p> <p><i>Section 5.8: Analog to digital converter (ADC)</i>: Scan for 128 Kbyte removed.</p> <p><i>Section 5.9: Communication interfaces, Section 5.9.3: Serial peripheral interface (SPI)</i>: SPI 10 Mb/s.</p> <p><i>Figure 3: LQFP 80-pin pinout, Figure 4: LQFP 64-pin pinout, Figure 6: STM8AF62xx LQFP/VFQFPN 32-pin pinout</i>: Amended footnote 1.</p> <p><i>Table 12: Memory model 128K</i>: HS output changed from 20 mA to 8 mA.</p> <p><i>Section 7: Memory and register map</i>: Corrected <i>Table 8: Register and memory map</i>; removed address list; added <i>Table 14: General hardware register map</i>.</p> <p><i>Section 10.3.2: Supply current characteristics</i> Note on typical/WC values added.</p>

Table 55. Document revision history (continued)

Date	Revision	Changes
22-Aug-2008	2 (continued)	<p><i>Table 18: Typ. IDD(WFI)HSI vs. VDD @ fCPU = 16 MHz, peripherals = off:</i> Replaced the source blocks 'simple USART', 'very low-end timer (timer 4)', and 'EEPROM' with 'LINUART', 'timer4' and 'reserved' respectively, added TMU registers.</p> <p><i>Table 20: HSE oscillator circuit diagram:</i> Updated OPT6 and NOPT6, added OPT7 to 17 (TMU, BL)</p> <p><i>Table 21: Typical HSI frequency vs VDD:</i> Updated OPT1 UBC[7:0], OPT4 CKAWUSEL, OPT4 PRSC [1:0], and OPT6, added OPT7 to 16 (TMU).</p> <p><i>Table 23: Operating lifetime:</i> Amended footnotes.</p> <p><i>Table 26: Total current consumption in Run, Wait and Slow mode. General conditions for VDD apply, TA = -40 °C to 150 °C:</i> Added parameter 'voltage and current operating conditions'.</p> <p><i>Table 27: Total current consumption in Halt and Active-halt modes. General conditions for VDD applied. TA = -40 °C to 55 °C unless otherwise stated:</i> Amended footnotes.</p> <p><i>Table 28: Oscillator current consumption:</i> Replaced.</p> <p><i>Table 29: Programming current consumption:</i> Amended maximum data and footnotes.</p> <p><i>Table 21: Current characteristics:</i> Replaced.</p> <p><i>Table 22: Thermal characteristics:</i> Added and amended I<sub>DD(RUN)</sub> data; amended I<sub>DD(WFI)</sub> data; amended footnotes.</p> <p><i>Table 32: HSE oscillator characteristics:</i> Filled in, amended maximum data and footnotes.</p> <p><i>Figure 13 to Figure 18:</i> info on peripheral activity added.</p> <p><i>Table 33: HSI oscillator characteristics:</i> Modified f<sub>HSE_ext</sub> data and added V<sub>HSEdhl</sub> data.</p> <p><i>Table 35: Flash program memory/data EEPROM memory:</i> Removed ACC<sub>HSI</sub> parameters and replaced with ACC<sub>HS</sub> parameters; amended data and footnotes.</p> <p>Amended data of 'RAM and hardware registers' table.</p> <p><i>Table 37: Data memory:</i> Updated names and data of N<sub>RW</sub> and t<sub>RET</sub> parameters.</p> <p><i>Table 40: TIM 1, 2, 3, and 4 electrical specifications:</i> Added V<sub>OH</sub> and V<sub>OL</sub> parameters; Updated I<sub>lkg ana</sub> parameter.</p> <p>Removed: <i>Output driving current (standard ports)</i>, <i>Output driving current (true open drain ports)</i>, and <i>Output driving current (high sink ports)</i>.</p> <p><i>Table 46: EMI data:</i> Updated f<sub>ADC</sub>, t<sub>S</sub>, and t<sub>CONV</sub> data.</p> <p><i>Table: ADC accuracy for VDDA = 3.3 V:</i> removed the 4-MHz condition from all parameters.</p> <p><i>Table 47: ESD absolute maximum ratings:</i> Removed the 4-MHz condition from all parameters; updated footnote 1 and removed footnote 2.</p> <p><i>Table 51: LQFP48 - 48-pin, 7 x 7 mm low-profile quad flat package mechanical data:</i> Added data for T<sub>A</sub> = 145 °C.</p> <p><i>Figure 53:</i> Updated memory size, pin count and package type information.</p>

Table 55. Document revision history (continued)

Date	Revision	Changes
16-Sep-2008	3	<p>Replaced the salestype 'STM8H61xx' with 'STM8AH61xx on the first page.</p> <p>Added 'part numbers' to heading rows of <a href="#">Table 1: Device summary</a>.</p> <p>Updated the 80-pin package silhouette on cover page in line with POA 0062342-revD.</p> <p><a href="#">Table 18</a>: Renamed 'TMU key registers 0-7 [7:0]' as 'TMU key registers 1-8 [7:0]'</p> <p><a href="#">Section 9</a>: Updated introductory text concerning option bytes which do not need to be saved in a complementary form.</p> <p><a href="#">Table 18</a>: Renamed the option bits 'TMU[0:3]', 'NTMU[0:3]', and 'TMU_KEY 0-7 [7:0]' as 'TMU[3:0]', 'NTMU[3:0]', and 'TMU_KEY 1-8 [7:0]' respectively.</p> <p><a href="#">Table 21</a>: Updated values of option byte 5 (HSECNT[7:0]); inverted the description of option byte 6 (TMU[3:0]); renamed option bytes 8 to 15 'TMU_KEY 0-7 [7:0]', as 'TMU_KEY 1-8 [7:0]'. Updated 80-pin package information in line with POA 0062342-revD in <a href="#">Figure 45</a> and <a href="#">Table 53</a>.</p>
01-Jul-2009	4	<p>Added 'STM8AH61xx' and 'STM8AH51xx to document header.</p> <p>Updated : <a href="#">Features on page 1</a> (memories, timers, operating temperature, ADC and I/Os).</p> <p>Updated <a href="#">Table 1: Device summary</a></p> <p>Updated Kbyte value of program memory in <a href="#">Section: Introduction</a></p> <p>Changed the first two lines from the top in <a href="#">Section: Description</a>.</p> <p>Updated <a href="#">Figure 1: STM8AF526x/8x/Ax and STM8AF6269/8x/Ax block diagram</a></p> <p>Updated <a href="#">Section 5: Product overview</a></p> <p>In <a href="#">Figure 5: LQFP 48-pin pinout</a>, added USART function to pins 10, 11, and 12; added CAN Tx and CAN Rx functions to pins 35 and 36 respectively.</p> <p><a href="#">Section 6: Pinouts and pin description</a>: deleted the text below the <a href="#">Table 10: Legend/abbreviation for the pin description table</a></p> <p><a href="#">Table 11: STM8AF526x/8x/Ax and STM8AF6269/8x/Ax pin description</a>: 68th, 69th pin (LQFP80): replaced X with a dash for PP output and Added a table footnote.</p> <p>Updated <a href="#">Figure 8: Register and memory map</a>.</p> <p><a href="#">Table 12: Memory model 128K</a>: updated footnote</p> <p>Deleted the <a href="#">Table: Stack and RAM partitioning</a></p> <p><a href="#">Table 17: STM8A interrupt table</a>: Updated priorities 13, 15, 17, 20 and 24 and changed table footnote</p> <p>Updated <a href="#">Section 7: Memory and register map</a></p> <p>Updated <a href="#">Table: Data memory</a>, <a href="#">Table: I/O static characteristics</a>, and <a href="#">Table 39: NRST pin characteristics</a>.</p> <p><a href="#">Section 10.1.1: Minimum and maximum values</a>: added ambient temperature <math>T_A = -40\text{ }^\circ\text{C}</math></p> <p>Updated <a href="#">Table 20: Voltage characteristics</a>.</p> <p>Updated <a href="#">Table 21: Current characteristics</a>.</p> <p>Updated <a href="#">Table 22: Thermal characteristics</a>.</p> <p>Updated <a href="#">Table 24: General operating conditions</a>.</p>

Table 55. Document revision history (continued)

Date	Revision	Changes
01-Jul-2009	4 (continued)	<p>Removed table: <i>Total current consumption and timing in halt, fast active halt and slow active halt modes at <math>V_{DD} = 3.3\text{ V}</math>.</i></p> <p>Added <a href="#">Table 28: Oscillator current consumption</a>.</p> <p>Added <a href="#">Table 29: Programming current consumption</a>.</p> <p>Updated <a href="#">Table 30: Typical peripheral current consumption <math>V_{DD} = 5.0\text{ V}</math></a></p> <p>Updated <a href="#">Table 31: HSE external clock characteristics</a>.</p> <p>Updated <a href="#">Table 32: HSE oscillator characteristics</a>.</p> <p><a href="#">Table 20: HSE oscillator circuit diagram</a>: changed 'consumption control' to 'current control'</p> <p><a href="#">Section : HSE oscillator critical gm formula</a>: clarified formula</p> <p>Updated <a href="#">Table 33: HSI oscillator characteristics</a>.</p> <p>Removed 'RAM and hardware registers'</p> <p>Removed <a href="#">Table: RAM and hardware registers</a>.</p> <p>Updated <a href="#">Table 35: Flash program memory/data EEPROM memory</a></p> <p>Added <a href="#">Table 36: Flash program memory</a>.</p> <p>Added <a href="#">Table 37: Data memory</a>.</p> <p>Updated <a href="#">Table 38: I/O static characteristics</a>.</p> <p>Updated <a href="#">Table 39: NRST pin characteristics</a>.</p> <p>Updated <a href="#">Table 40: TIM 1, 2, 3, and 4 electrical specifications</a></p> <p><a href="#">Section 10.3.9: SPI interface</a>: changed title from "SPI serial peripheral interface".</p> <p>Updated <a href="#">Table 41: SPI characteristics</a>.</p> <p><a href="#">Figure 40: SPI timing diagram in slave mode and with <math>CPHA = 0</math></a>: Changed title and added footnote.</p> <p><a href="#">Figure 41: SPI timing diagram in slave mode and with <math>CPHA = 1</math></a>: changed the title.</p> <p>Updated <a href="#">Table 43: ADC characteristics</a>.</p> <p>Updated <a href="#">Figure 43: Typical application with ADC</a>.</p> <p>Removed <a href="#">Table: ADC accuracy for <math>V_{DDA} = 3.3\text{ V}</math></a>.</p> <p>Updated <a href="#">Table 44: ADC accuracy for <math>V_{DDA} = 5\text{ V}</math></a>.</p> <p>Updated <a href="#">Table 46: EMI data</a>.</p> <p>Updated <a href="#">Table 48: Electrical sensitivities</a>.</p> <p>Added text about Ecopack in the <a href="#">Section 11: Package information</a>.</p> <p><a href="#">Figure 48: LQFP64 - 64-pin, 10 x 10 mm low-profile quad flat package outline</a>: deleted footnote.</p> <p>Updated <a href="#">Figure 60: STM8AF526x/8x/Ax and STM8AF6269/8x/Ax ordering information scheme1</a>.</p> <p>Added <a href="#">Section 13: STM8 development tools</a>.</p>
22-Oct-2009	5	<p>Updated <a href="#">Table 1: Device summary</a>: added STM8AF5178, STM8AF519A and STM8AF619A.</p>

**Table 55. Document revision history (continued)**

Date	Revision	Changes
13-Apr-2010	6	<p>Updated title on cover page.</p> <p>Modified cover page header to clarify the part numbers covered by the datasheets. Updated footnote on <a href="#">Table 1: Device summary</a> to add 'P' order codes.</p> <p>Changed definition of 'P' order codes.</p> <p>'Q' order codes (FASTROM and EEPROM) removed.</p> <p>Reorganized the content of <a href="#">Section 5: Product overview</a>.</p> <p><a href="#">Table 11: STM8AF526x/8x/Ax and STM8AF6269/8x/Ax pin description</a> updated PD7/TLI alternate function, removed caution note for PD6/ LINUART_RX, and added note to PA1/OSCIN.</p> <p>Renamed <a href="#">Section 7: Memory and register map</a>, and merged content with <a href="#">Section: Register map</a>. Updated <a href="#">Figure 8: Register and memory map</a>.</p> <p>Renamed BL_EN and NBL_EN, BL and NBL, respectively, in <a href="#">Table 18: Option bytes</a>.</p> <p>Updated AFR4 definition in <a href="#">Table 19: Option byte description</a>.</p> <p>Added C<sub>EXT</sub> in <a href="#">Table 24: General operating conditions</a>, and <a href="#">Section 10.3.1: VCAP external capacitor</a>.</p> <p>Updated t<sub>VDD</sub> in <a href="#">Table 25: Operating conditions at power-up/power-down</a>.</p> <p>Moved <a href="#">Table 30: Typical peripheral current consumption VDD = 5.0 V</a> to <a href="#">Section : Current consumption for on-chip peripherals</a>.</p> <p>Removed V<sub>ESD(MM)</sub> from <a href="#">Table 47: ESD absolute maximum ratings</a>.</p> <p>Updated <a href="#">Section 12: Ordering information</a> to the devices supported by the datasheet.</p> <p>Updated <a href="#">Section 13: STM8 development tools</a>.</p>
08-Jul-2010	7	<p>Added STM8AF5168 and STM8AF518A part number in <a href="#">Figure 4</a>, and STM8AF618A in <a href="#">Figure 5</a>. Added STM8AF52xx, STM8AF6269, STM8AF628x, and STM8AF62Ax.</p> <p>Updated D temperature range to -40 to 150°C.</p> <p>Updated number of I/Os on cover page.</p> <p>Added <a href="#">Table 23: Operating lifetime</a>.</p> <p>Restored V<sub>ESD(MM)</sub> from <a href="#">Table 47: ESD absolute maximum ratings</a>.</p> <p><a href="#">Table 24: General operating conditions</a>: updated V<sub>CAP</sub> information. ESL parameter, and range D maximum junction temperature (T<sub>J</sub>).</p> <p>Added STM8AF52xx and STM8AF62xx, and footnote in <a href="#">Section 12: Ordering information</a>.</p> <p>Updated <a href="#">Section 13: STM8 development tools</a>: added <a href="#">Table: Product evolution summary</a>, and split the beCAN time triggered communication mode limitation in two sections.</p>

Table 55. Document revision history (continued)

Date	Revision	Changes
30-Jan-2011	8	<p>Modified references to reference manual, and Flash programming manual in the whole document.</p> <p>Added reference to AEC Q100 standard on cover page.</p> <p>Renamed timer types as follows:</p> <ul style="list-style-type: none"> <li>– Auto-reload timer to general purpose timer</li> <li>– Multipurpose timer to advanced control timer</li> <li>– System timer to basic timer</li> </ul> <p>Introduced concept of high density Flash program memory.</p> <p>Updated the number of I/Os for devices in 80-, 64-, and 48-pin packages in <i>Table: STM8AF52xx product line-up with CAN</i>, <i>Table: STM8AF62xx product line-up without CAN</i>, <i>Table: STM8AF/H/P51xx product line-up with CAN</i>, and <i>Table: STM8AF/H/P61xx product line-up without CAN</i>.</p> <p>Added TMU brief description in <a href="#">Section 5.4: Flash program and data EEPROM</a>, updated TMU_MAXATT description in <a href="#">Table 19: Option byte description</a>, and TMU_MAWATT reset value in <a href="#">Table 18: Option bytes</a>.</p> <p>Updated clock sources in <a href="#">Section 5.5.1: Features</a>.</p> <p>Added <a href="#">Table 4: Peripheral clock gating bits (CLK_PCKENR1)</a>.</p> <p>Added calibration using TIM3 in <a href="#">Section 5.7.2: Auto-wakeup counter</a>.</p> <p>Added <a href="#">Table 8: ADC naming</a> and <a href="#">Table 9: Communication peripheral naming correspondence</a>.</p> <p>Updated SPI data rate to <math>f_{MASTER}/2</math> in <a href="#">Section 5.9.3: Serial peripheral interface (SPI)</a>.</p> <p>Added reset state in <a href="#">Table 10: Legend/abbreviation for the pin description table</a>.</p> <p><i>Table: STM8A microcontroller family pin description</i>: modified footnotes related to PD1/SWIM, corrected wpu input for PE1 and PE2, and renamed TIMn_CCx and TIMn_NCCx to TIMn_CHx and TIMn_CHxN, respectively.</p> <p><i>Section: Register map</i>: Removed CAN register CLK_CANCCR. Removed I2C_PECR register.</p> <p>Added <i>footnote</i> for Px_IDR registers in <a href="#">Table 13: I/O port hardware register map</a>. Updated register reset values for Px_IDR and PD_CR1 registers.</p> <p>Replaced tables describing register maps and reset values for non-volatile memory, global configuration, reset status, TMU, clock controller, interrupt controller, timers, communication interfaces, and ADC, by <a href="#">Table 14: General hardware register map</a>. Added debug module register map</p> <p>Renamed Fast Active Halt mode to Active-halt mode with regulator on, and Slow Active Halt mode to Active-halt mode with regulator off, updated <a href="#">Section 5.6: Low-power operating modes</a>, and <a href="#">Table 27: Total current consumption in Halt and Active-halt modes. General conditions for VDD applied. TA = -40 °C to 55 °C unless otherwise stated</a>. <math>I_{DD(FAH)}</math> and <math>I_{DD(SAH)}</math> renamed <math>I_{DD(AH)}</math>; <math>t_{WU(FAH)}</math> and <math>t_{WU(SAH)}</math> renamed <math>t_{WU(AH)}</math>.</p>

**Table 55. Document revision history (continued)**

Date	Revision	Changes
30-Jan-2011	8 (continued)	<p>Removed note 1 in <a href="#">Table 24: General operating conditions</a> and note 1 below <a href="#">Figure 11: fCPUmax versus VDD</a>.</p> <p>Removed note 3 in <a href="#">Table 26: Total current consumption in Run, Wait and Slow mode. General conditions for VDD apply, TA = -40 °C to 150 °C</a>.</p> <p>Removed note 2 in <a href="#">Table 31: HSE external clock characteristics</a> and <a href="#">Table 35: Flash program memory/data EEPROM memory</a></p> <p>Removed note 1 in <a href="#">Table 37: Data memory</a>. Modified T<sub>WE</sub> maximum value in <a href="#">Table 36: Flash program memory</a> and <a href="#">Table 37: Data memory</a>.</p> <p>Added t<sub>IFP(NRST)</sub> and renamed V<sub>F(NRST)</sub> t<sub>IFP</sub> in <a href="#">Table 39: NRST pin characteristics</a>.</p> <p>Added recommendation concerning NRST pin level, and power consumption sensitive applications, above <a href="#">Figure 39: Recommended reset pin protection</a>, and updated external capacitor value.</p> <p>Updated Note 1 in <a href="#">Table 40: TIM 1, 2, 3, and 4 electrical specifications</a>.</p> <p>Updated Note 1 in <a href="#">Table 41: SPI characteristics</a>.</p> <p>Moved know limitations to separate errata sheet.</p> <p>Added “not recommended for new design” note to device family 51, memory size 7 and 9, and temperature range B, in <a href="#">Figure 60: STM8AF526x/8x/Ax and STM8AF6269/8x/Ax ordering information scheme1</a>.</p> <p>Added Raisonance compiler in <a href="#">Section 13.2: Software tools</a>.</p>
18-Jul-2012	9	<p>Updated wildcards of document part numbers.</p> <p>Added VFQFPN package.</p> <p>Added STM8AF62A6 part number.</p> <p><a href="#">Table 1: Device summary</a> updated footnote 1 and added footnote 2.</p> <p><a href="#">Table: STM8AF52xx product line-up with CAN</a> and <a href="#">Table: STM8AF62xx product line-up without CAN</a>: added “P” version for all order codes; updated size of data EEPROM for 64K devices to 2K instead of 1.5K; updated RAM.</p> <p><a href="#">Figure 1: STM8AF526x/8x/Ax and STM8AF6269/8x/Ax block diagram</a>: updated POR, BOR and WDG; removed PDR; added legend.</p> <p><a href="#">Section 5.4: Flash program and data EEPROM</a>: removed non relevant bullet points and added a sentence about the factory program.</p> <p>Added <a href="#">Table 4: Peripheral clock gating bits (CLK_PCKENR1)</a> and updated <a href="#">Table 5: Peripheral clock gating bits (CLK_PCKENR2)</a></p> <p><a href="#">Section : ADC features</a>: updated ADC input range.</p> <p><a href="#">Table 12: Memory model 128K</a>: updated RAM size, RAM end addresses, and stack roll-over addresses; updated footnote 1</p> <p><a href="#">Table 18: Option bytes</a>: updated factory default setting for NOPT17; updated footnotes.</p> <p><a href="#">Table 20: Voltage characteristics</a>: updated V<sub>DDX</sub> - V<sub>DD</sub> to V<sub>DDX</sub> - V<sub>SS</sub>.</p> <p><a href="#">Table 24: General operating conditions</a>: updated V<sub>CAP</sub>.</p>

Table 55. Document revision history (continued)

Date	Revision	Changes
18-Jul-2012	9 (continued)	<p><a href="#">Table 26: Total current consumption in Run, Wait and Slow mode. General conditions for VDD apply, TA = -40 °C to 150 °C</a>: updated conditions for I<sub>DD(RUN)</sub>.</p> <p><a href="#">Table 38: I/O static characteristics</a>: added new condition and new max values for rise and fall time; updated footnote 2.</p> <p><a href="#">Section 10.3.7: Reset pin characteristics</a>: updated text below <a href="#">Figure 38: Typical NRST pull-up current I<sub>pu</sub> vs VDD</a></p> <p><a href="#">Figure 39: Recommended reset pin protection</a>: updated unit of capacitor.</p> <p><a href="#">Table 41: SPI characteristics</a>: updated SCK high and low time conditions and values.</p> <p><a href="#">Figure 42: SPI timing diagram - master mode</a>: replaced 'SCK input' signals with 'SCK output' signals.</p> <p>Updated <a href="#">Table 49: LQFP80 - 80-pin, 14 x 14 mm low-profile quad flat package mechanical data</a>, <a href="#">Table 50: LQFP64 - 64-pin, 10 x 10 mm low-profile quad flat package mechanical data</a>, <a href="#">Table 51: LQFP48 - 48-pin, 7 x 7 mm low-profile quad flat package mechanical data</a>, <a href="#">Table 52: LQFP32 - 32-pin, 7 x 7 mm low-profile quad flat package mechanical data</a>, <a href="#">Table 53: VFQFPN32 - 32-pin, 5 x 5 mm, 0.5 mm pitch very thin profile fine pitch quad flat package mechanical data</a></p> <p>Replaced <a href="#">Figure 48: LQFP64 - 64-pin, 10 x 10 mm low-profile quad flat package outline</a>, <a href="#">Figure 51: LQFP48 - 48-pin, 7 x 7 mm low-profile quad flat package outline</a> and <a href="#">Figure 54: LQFP32 - 32-pin, 7 x 7 mm low-profile quad flat package outline</a></p> <p>Added <a href="#">Figure 49: LQFP64 - 64-pin, 10 x 10 mm low-profile quad flat package recommended footprint</a>, <a href="#">Figure 52: LQFP48 - 48-pin, 7 x 7 mm low-profile quad flat package recommended footprint</a> and <a href="#">Figure 55: LQFP32 - 32-pin, 7 x 7 mm low-profile quad flat package recommended footprint</a></p> <p>Updated <a href="#">Figure 57: VFQFPN32 - 32-pin, 5x5 mm, 0.5 mm pitch very thin profile fine pitch quad flat package outline</a></p> <p>Updated <a href="#">Figure 60: STM8AF526x/8x/Ax and STM8AF6269/8x/Ax ordering information scheme 1</a></p> <p><a href="#">Section 13.2.2: C and assembly toolchains</a>: added www.iar.com.</p>
31-Mar-2014	10	<p>Updated:</p> <ul style="list-style-type: none"> <li>- <a href="#">Table 1: Device summary</a>,</li> <li>- <a href="#">Table: STM8AF52xx product line-up with CAN</a>,</li> <li>- <a href="#">Table: STM8AF/H/P51xx product line-up with CAN</a>,</li> <li>- <a href="#">Table: STM8AF/H/P61xx product line-up without CAN</a>,</li> <li>- <a href="#">Table 11: STM8AF526x/8x/Ax and STM8AF6269/8x/Ax pin description</a>,</li> <li>- The maximum speed in <a href="#">Section 5.9.3: Serial peripheral interface (SPI)</a>,</li> <li>- t<sub>TEMP</sub> Reset release delay /VDD rising typical and max values in <a href="#">Table 25: Operating conditions at power-up/power-down</a>,</li> <li>- The symbol t<sub>IFP(NRST)</sub> with t<sub>INFP(NRST)</sub> in <a href="#">Table 39: NRST pin characteristics</a>,</li> <li>- The address and comment for Reset in <a href="#">Table 17: STM8A interrupt table</a>.</li> </ul>

**Table 55. Document revision history (continued)**

Date	Revision	Changes
31-Mar-2014	10 (continued)	Added: <ul style="list-style-type: none"> <li>– <a href="#">Figure 7: STM8AF52x6 VFQFPN32 32-pin pinout</a>;</li> <li>– the caution in <a href="#">Section 5.10: Input/output specifications</a>,</li> <li>– The table footnote “Not recommended for new designs” to <a href="#">Table: STM8AF/H/P51xx product line-up with CAN</a> and <a href="#">Table: STM8AF/H/P61xx product line-up without CAN</a>.</li> <li>– The figure footnotes to <a href="#">Figure 7: STM8AF52x6 VFQFPN32 32-pin pinout</a> and <a href="#">Figure: VFQFPN 32-lead very thin fine pitch quad flat no-lead package (5 x 5)</a></li> </ul>
13-Jun-2014	11	Added STM8AF52A6 part number.
09-Jun-2015	12	Added: <ul style="list-style-type: none"> <li>– the third table footnote to <a href="#">Table 25: Operating conditions at power-up/power-down</a>,</li> <li>– <a href="#">Figure 47: LQFP80 marking example (package top view)</a>,</li> <li>– <a href="#">Figure 50: LQFP64 marking example (package top view)</a>,</li> <li>– <a href="#">Figure 53: LQFP48 marking example (package top view)</a>,</li> <li>– <a href="#">Figure 56: LQFP32 marking example (package top view)</a>,</li> <li>– <a href="#">Figure 59: VFQFPN32 marking example (package top view)</a>,</li> <li>– the footnote about the device marking to <a href="#">Figure 60: STM8AF526x/8x/Ax and STM8AF6269/8x/Ax ordering information scheme 1</a>.</li> </ul> Removed STM8AF51xx and STM8AF61xx obsolete root part numbers, and consequently “H” products: <ul style="list-style-type: none"> <li>– <a href="#">Table 1: Device summary</a>,</li> <li>– <a href="#">Section 1: Introduction</a>,</li> <li>– <a href="#">Section 2: Description</a>,</li> <li>– <a href="#">Section 3: Product line-up</a>,</li> <li>– <a href="#">Table 12: Memory model 128K</a>,</li> <li>– <a href="#">Section 10.3: Operating conditions</a>,</li> <li>– <a href="#">Figure 60: STM8AF526x/8x/Ax and STM8AF6269/8x/Ax ordering information scheme 1</a>.</li> </ul> Moved <a href="#">Section 11.6: Thermal characteristics</a> to <a href="#">Section 11: Package information</a> .                     Updated: <ul style="list-style-type: none"> <li>– the product naming in the document headers and captions,</li> <li>– the standard reference for EMI characteristics in <a href="#">Table 46: EMI data</a>.</li> </ul>
13-Jun-2016	13	Updated <a href="#">Table 53: VFQFPN32 - 32-pin, 5 x 5 mm, 0.5 mm pitch very thin profile fine pitch quad flat package mechanical data</a>

Table 55. Document revision history (continued)

Date	Revision	Changes
13-Oct-2016	14	<p>Updated:</p> <ul style="list-style-type: none"> <li>– Title of <a href="#">Figure 7: STM8AF52x6 VFQFPN32 32-pin pinout</a>, (previously STM8AF5286UC VFQFPN32 32-pin pinout)</li> <li>– Footnotes of <a href="#">Figure 60: STM8AF526x/8x/Ax and STM8AF6269/8x/Ax ordering information scheme 1</a></li> <li>– <a href="#">Table 11: STM8AF526x/8x/Ax and STM8AF6269/8x/Ax pin description</a> replaced “STM8AF5286UC VQFPN32” with “STM8AF52x6 VQFPN32” at header row</li> <li>– <a href="#">Section 10.2: Absolute maximum ratings</a></li> <li>– <a href="#">Section : Device marking on page 93</a></li> <li>– <a href="#">Section : Device marking on page 96</a></li> <li>– <a href="#">Section : Device marking on page 99</a></li> <li>– <a href="#">Section : Device marking on page 104</a></li> <li>– <a href="#">Section : Device marking on page 108</a></li> </ul> <p>Added:</p> <ul style="list-style-type: none"> <li>– Footnote on <a href="#">Figure 47: LQFP80 marking example (package top view)</a>, <a href="#">Figure 50: LQFP64 marking example (package top view)</a>, <a href="#">Figure 56: LQFP32 marking example (package top view)</a>, <a href="#">Figure 59: VFQFPN32 marking example (package top view)</a>.</li> </ul>
10-Nov-2016	15	<p>Updated header row and PA6/USART_CK pin row on <a href="#">Table 11: STM8AF526x/8x/Ax and STM8AF6269/8x/Ax pin description</a>.</p>

**IMPORTANT NOTICE – PLEASE READ CAREFULLY**

STMicroelectronics NV and its subsidiaries ("ST") reserve the right to make changes, corrections, enhancements, modifications, and improvements to ST products and/or to this document at any time without notice. Purchasers should obtain the latest relevant information on ST products before placing orders. ST products are sold pursuant to ST's terms and conditions of sale in place at the time of order acknowledgement.

Purchasers are solely responsible for the choice, selection, and use of ST products and ST assumes no liability for application assistance or the design of Purchasers' products.

No license, express or implied, to any intellectual property right is granted by ST herein.

Resale of ST products with provisions different from the information set forth herein shall void any warranty granted by ST for such product.

ST and the ST logo are trademarks of ST. All other product or service names are the property of their respective owners.

Information in this document supersedes and replaces information previously supplied in any prior versions of this document.

© 2016 STMicroelectronics – All rights reserved







## Looking for pricing, stock, or lifecycle information?

Click below to explore more details on WIN SOURCE:

 [View STM8AF5286UCY](#) on WIN SOURCE

 [STMicroelectronics](#) Information

## Optimize Your Supply Chain with WIN SOURCE Solutions

-  Global Sourcing Solution
-  Obsolete Management
-  Cost Control Management
-  Shortage Management
-  Alternative Solution
-  Excess Inventory Management