



**THE DATASHEET OF  
MAX6323EUT29+T**



## MAX6323/MAX6324

## μP Supervisory Circuits with Windowed (Min/Max) Watchdog and Manual Reset

### General Description

The MAX6323/MAX6324 microprocessor (μP) supervisory circuits monitor power supplies and μP activity in digital systems. A watchdog timer looks for activity outside an expected window of operation. Six laser-trimmed reset thresholds are available with ±2.5% accuracy from +2.32V to +4.63V. Valid  $\overline{\text{RESET}}$  output is guaranteed down to  $V_{CC} = +1.2\text{V}$ .

The  $\overline{\text{RESET}}$  output is either push-pull (MAX6323) or open-drain (MAX6324).  $\overline{\text{RESET}}$  is asserted low when  $V_{CC}$  falls below the reset threshold, or when the manual reset input ( $\overline{\text{MR}}$ ) is asserted low.  $\overline{\text{RESET}}$  remains asserted for at least 100ms after  $V_{CC}$  rises above the reset threshold and  $\overline{\text{MR}}$  is deasserted.

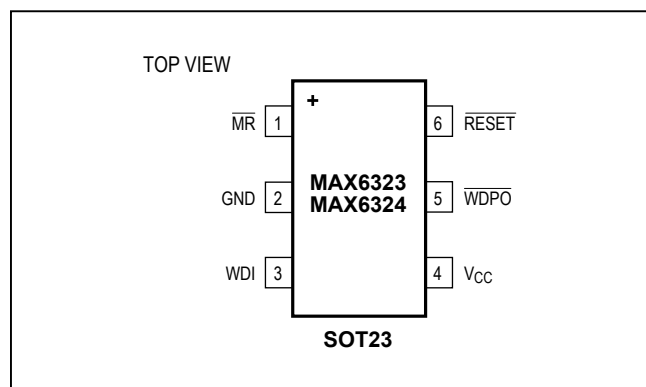
The watchdog pulse output ( $\overline{\text{WDPO}}$ ) utilizes an open-drain configuration. It can be triggered either by a fast timeout fault (watchdog input pulses are too close to each other) or a slow timeout fault (no watchdog input pulse is observed within the timeout period). The watchdog timeout is measured from the last falling edge of watchdog input (WDI) with a minimum pulse width of 300ns.  $\overline{\text{WDPO}}$  is asserted for 1ms when a fault is observed. Eight laser-trimmed timeout periods are available.

The MAX6323/MAX6324 are offered in a 6-pin SOT23 package and operate over the extended temperature range (-40°C to +125°C).

### Applications

- Automotive
- Industrial
- Medical
- Embedded Control Systems

### Pin Configuration



Typical Operating Circuit appears at end of data sheet.

### Features

- Min/Max (Windowed) Watchdog, 8 Factory-Trimmed Timing Options
- Pulsed Open-Drain, Active-Low Watchdog Output
- Power-On Reset
- Precision Monitoring of +2.5V, +3.0V, +3.3V, and +5.0V Power Supplies
- Open-Drain or Push-Pull  $\overline{\text{RESET}}$  Outputs
- Low-Power Operation (23μA typ)
- Debounced Manual Reset Input
- Guaranteed Reset Valid to  $V_{CC} = +1.2\text{V}$
- AEC-Q100 Qualified MAX6324HUT44/V+T

### Ordering Information

| PART           | TEMP RANGE      | PIN-PACKAGE | RESET OUTPUT |
|----------------|-----------------|-------------|--------------|
| MAX6323_UT__-T | -40°C to +125°C | 6 SOT23     | Push-Pull    |

Ordering Information continued at end of data sheet.

\*These devices are factory trimmed to one of eight watchdog-timeout windows and one of six reset voltage thresholds. Insert the letter corresponding to the desired watchdog-timeout window (A, B, C, D, E, F, G, or H) into the blank following the number 6323 or 6324 (see Watchdog Timeout table). Insert the two-digit code (46, 44, 31, 29, 26, or 23) after the letters UT for the desired nominal reset threshold (see Reset Threshold Range table at end of data sheet).

V denotes an automotive qualified part.

Devices are available in both leaded and lead-free packaging. Specify lead-free by replacing "-T" with "+T" when ordering.

**Note:** There are eight standard versions of each device available (see Standard Versions table). Sample stock is generally held on standard versions only. Standard versions have an order increment requirement of 2500 pieces. Nonstandard versions have an order increment requirement of 10,000 pieces. Contact factory for availability of nonstandard versions.

### Watchdog Timeout

| SUFFIX | WATCHDOG TIMEOUT* |       |      |       |
|--------|-------------------|-------|------|-------|
|        | FAST              |       | SLOW |       |
|        | MAX               | UNITS | MIN  | UNITS |
| A      | 1.5               | ms    | 10   | ms    |
| B      | 15                | ms    | 100  |       |
| C      | 15                | ms    | 300  | s     |
| D      | 15                | ms    | 10   |       |
| E      | 15                | ms    | 60   | ms    |
| F      | 23                | ms    | 47   |       |
| G      | 39                | ms    | 82   | s     |
| H      | 719               | ms    | 1.3  |       |

\*See Figure 1 for operation.

**Absolute Maximum Ratings**

|   |  |                 |
|---|--|-----------------|
| Terminal Voltage (with respect to GND)                | Operating Temperature Range.....       | -40°C to +125°C |
| V <sub>CC</sub> .....                                 | Junction Temperature.....              | +150°C          |
| MR, RESET (MAX6323), WDI.....                         | Storage Temperature Range.....         | -65°C to +150°C |
| WDPO, RESET (MAX6324).....                            | Lead Temperature (soldering, 10s)..... | +300°C          |
| Input Current, V <sub>CC</sub> , WDI, MR.....         | Soldering Temperature (reflow)         |                 |
| Output Current, RESET, WDPO.....                      | Lead(Pb)-Free.....                     | +260°C          |
| Rate of Rise, V <sub>CC</sub> .....                   | Containing Lead.....                   | +240°C          |
| Continuous Power Dissipation (T <sub>A</sub> = +70°C) |  |                 |
| 6-Pin SOT23 (derate 8.7mW/°C above +70°C).....        |  | 696mW           |

Stresses beyond those listed under "Absolute Maximum Ratings" may cause permanent damage to the device. These are stress ratings only, and functional operation of the device at these or any other conditions beyond those indicated in the operational sections of the specifications is not implied. Exposure to absolute maximum rating conditions for extended periods may affect device reliability.

**Package Information**

**6 SOT23**

| PACKAGE CODE                                   | U6+1/U6+1A              |
|--|-------------------------|
| Outline Number                                 | <a href="#">21-0058</a> |
| Land Pattern Number                            | <a href="#">90-0175</a> |
| <b>Thermal Resistance, Single-Layer Board:</b> |                         |
| Junction to Case (θ <sub>JC</sub> )            | 80°C/W                  |
| <b>Thermal Resistance, Multi-Layer Board:</b>  |                         |
| Junction to Ambient (θ <sub>JA</sub> )         | 115°C/W                 |
| Junction to Case (θ <sub>JC</sub> )            | 80°C/W                  |

For the latest package outline information and land patterns (footprints), go to [www.maximintegrated.com/packages](http://www.maximintegrated.com/packages). Note that a "+", "#", or "-" in the package code indicates RoHS status only. Package drawings may show a different suffix character, but the drawing pertains to the package regardless of RoHS status.

Package thermal resistances were obtained using the method described in JEDEC specification JESD51-7, using a four-layer board. For detailed information on package thermal considerations, refer to [www.maximintegrated.com/thermal-tutorial](http://www.maximintegrated.com/thermal-tutorial).

## Electrical Characteristics

( $V_{CC}$  = full range,  $T_A$  = -40°C to +125°C, unless otherwise noted. Typical values are at  $V_{CC}$  = 3V,  $T_A$  = +25°C.) (Note 1)

| PARAMETER   | SYMBOL    | CONDITIONS   | MIN                                   | TYP  | MAX  | UNITS |    |
|---|-----------|--|---------------------------------------|------|------|-------|----|
| Operating Voltage Range   | $V_{CC}$  |  | 1.2                                   |      | 5.5  | V     |    |
| Supply Current  | $I_{CC}$  | No load, $\overline{\text{RESET}}$ deasserted  | $V_{CC} = 2.5\text{V or }3.3\text{V}$ |      | 23   | 45    | µA |
|   |           |  | $V_{CC} = 5.5$                        |      | 27   | 57    |    |
| Reset Threshold Voltage   | $V_{TH}$  | MAX632__UT46   | 4.50                                  | 4.63 | 4.75 | V     |    |
|   |           | MAX632__UT44   | 4.25                                  | 4.38 | 4.50 |       |    |
|   |           | MAX632__UT31   | 3.00                                  | 3.08 | 3.15 |       |    |
|   |           | MAX632__UT29   | 2.85                                  | 2.93 | 3.00 |       |    |
|   |           | MAX632__UT26   | 2.55                                  | 2.63 | 2.70 |       |    |
|   |           | MAX632__UT23   | 2.25                                  | 2.32 | 2.38 |       |    |
| Reset Timeout Delay   | $t_{RP}$  | $\overline{\text{RESET}}$ deasserted   | 100                                   | 180  | 280  | ms    |    |
| $V_{CC}$ to $\overline{\text{RESET}}$ Delay                         |           | 10mV/ms, $V_{TH} + 100\text{mV}$ to $V_{TH} - 100\text{mV}$  | 20                                    |      |      | µs    |    |
| $\overline{\text{WDPO}}$ , $\overline{\text{RESET}}$ Output Voltage | $V_{OL}$  | $I_{SINK} = 1.2\text{mA}$ , $V_{CC} = 2.25\text{V}$<br>(MAX632__UT23, MAX632__UT26,<br>MAX632__UT29, MAX632__UT31)   |                                       |      | 0.4  | V     |    |
|   |           | $I_{SINK} = 3.2\text{mA}$ , $V_{CC} = 4.25\text{V}$<br>(MAX632__UT44, MAX632__UT46)  |                                       |      | 0.4  |       |    |
|   |           | $I_{SINK} = 100\mu\text{A}$ , $V_{CC} > 1.2\text{V}$ ,<br>$\overline{\text{RESET}}$ asserted   |                                       |      | 0.4  |       |    |
| $\overline{\text{RESET}}$ Output Voltage<br>(MAX6323)               | $V_{OH}$  | $I_{SOURCE} = 500\mu\text{A}$ , $V_{CC} = 3.15\text{V}$ ,<br>$\overline{\text{RESET}}$ deasserted (MAX632__UT23,<br>MAX632__UT26, MAX632__UT29,<br>MAX632__UT31) | $0.8 \times V_{CC}$                   |      |      | V     |    |
|   |           | $I_{SOURCE} = 800\mu\text{A}$ , $V_{CC} = 4.75\text{V}$ , $\overline{\text{RESET}}$<br>deasserted, (MAX632__UT44,<br>MAX632__UT46)                               | $V_{CC} - 1.5$                        |      |      |       |    |
| $\overline{\text{WDPO}}$ , $\overline{\text{RESET}}$ Output Leakage | $I_{LKG}$ | $V_{\overline{\text{RESET}}} = V_{\overline{\text{WDPO}}} = +5.5\text{V}$ , $\overline{\text{RESET}}$ ,<br>$\overline{\text{WDPO}}$ deasserted                   |                                       |      | 1    | µA    |    |

## Electrical Characteristics (continued)

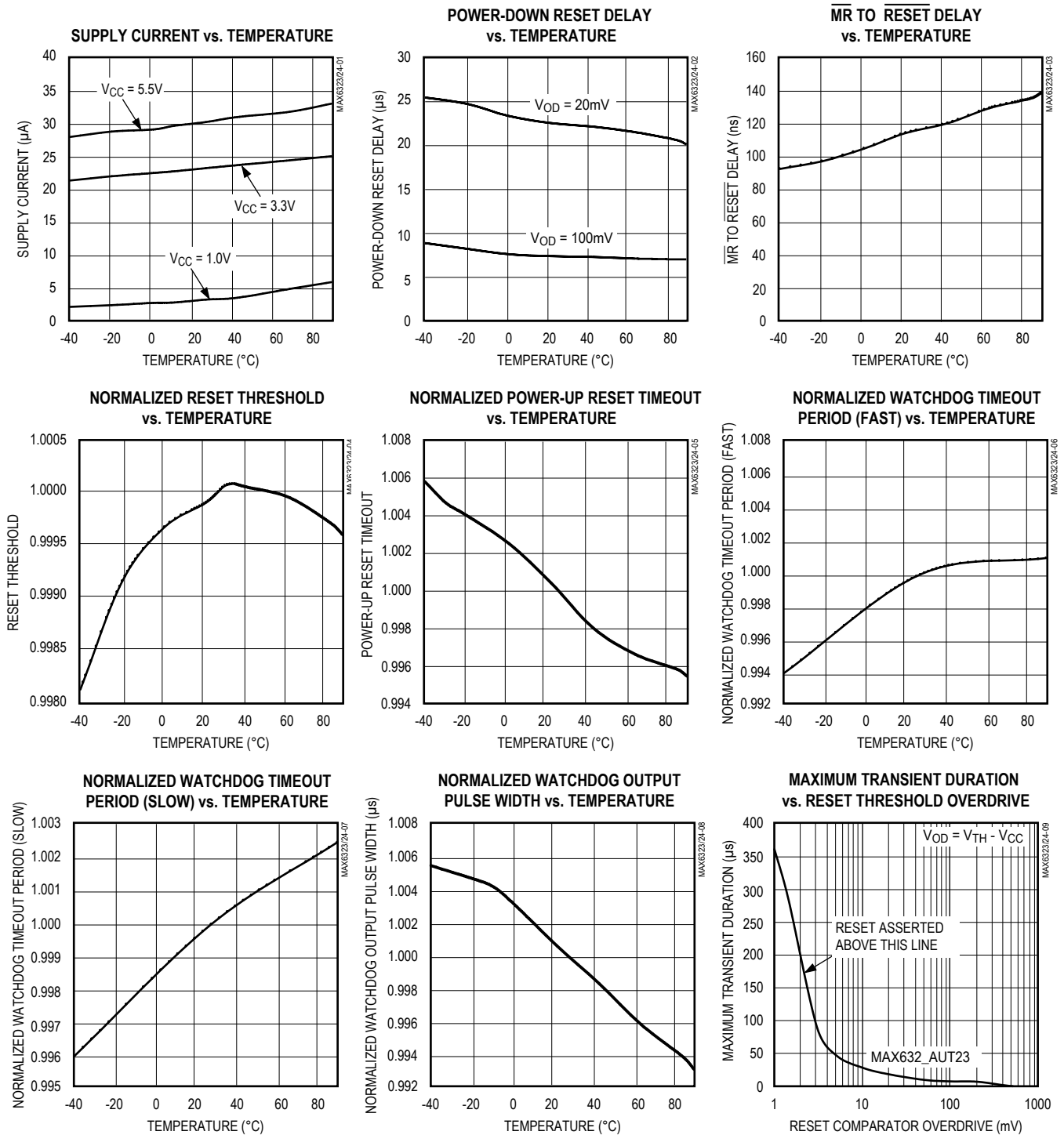
(V<sub>CC</sub> = full range, T<sub>A</sub> = -40°C to +125°C, unless otherwise noted. Typical values are at V<sub>CC</sub> = 3V, T<sub>A</sub> = +25°C.) (Note 1)

| PARAMETER                                  | SYMBOL           | CONDITIONS  | MIN                    | TYP | MAX                   | UNITS |
|--|------------------|---|------------------------|-----|-----------------------|-------|
| <b>WATCHDOG INPUT AND OUTPUT</b>           |                  |   |                        |     |                       |       |
| Watchdog Timeout (Fast)<br>(Notes 2, 3)    | t <sub>WD1</sub> | MAX632_AUT__  | 1                      |     | 1.5                   | ms    |
|  |                  | MAX632_BUT__  | 10                     |     | 15                    |       |
|  |                  | MAX632_CUT__  | 10                     |     | 15                    |       |
|  |                  | MAX632_DUT__  | 10                     |     | 15                    |       |
|  |                  | MAX632_EUT__  | 10                     |     | 15                    |       |
|  |                  | MAX632_FUT__  | 17                     |     | 23                    |       |
|  |                  | MAX632_GUT__  | 29                     |     | 39                    |       |
|  |                  | MAX632_HUT__  | 543                    |     | 719                   |       |
| Watchdog Timeout (Slow)<br>(Note 4)        | t <sub>WD2</sub> | MAX632_AUT__  | 10                     |     | 15                    | ms    |
|  |                  | MAX632_BUT__  | 100                    |     | 150                   |       |
|  |                  | MAX632_CUT__  | 300                    |     | 450                   |       |
|  |                  | MAX632_DUT__  | 10                     |     | 15                    | s     |
|  |                  | MAX632_EUT__  | 60                     |     | 90                    |       |
|  |                  | MAX632_FUT__  | 47                     |     | 63                    | ms    |
|  |                  | MAX632_GUT__  | 82                     |     | 108                   |       |
|  |                  | MAX632_HUT__  | 1.3                    |     | 1.8                   |       |
| Minimum Watchdog Input Pulse Width         |                  |   | 300                    |     |                       | ns    |
| WDI Glitch Immunity                        |                  | V <sub>CC</sub> = 5.5V  |                        | 100 |                       | ns    |
| WDI Input Voltage                          | V <sub>IH</sub>  |   | 0.75 x V <sub>CC</sub> |     |                       | V     |
|  | V <sub>IL</sub>  |   |                        |     | 0.8                   |       |
| WDI Input Current                          |                  | V <sub>WDI</sub> = 0V   | -1.5                   | -1  |                       | µA    |
|  |                  | V <sub>WDI</sub> = V <sub>CC</sub>                                |                        | 1   | 1.5                   |       |
| WDPO Pulse Width                           |                  | V <sub>IL</sub> = 0.8V, V <sub>IH</sub> = 0.75V x V <sub>CC</sub> | 0.5                    | 1   | 3                     | ms    |
| <b>MANUAL RESET INPUT</b>                  |                  |   |                        |     |                       |       |
| $\overline{\text{MR}}$ Input Voltage       | V <sub>IH</sub>  |   | 0.7 x V <sub>CC</sub>  |     |                       | V     |
|  | V <sub>IL</sub>  |   |                        |     | 0.3 x V <sub>CC</sub> |       |
| $\overline{\text{MR}}$ Minimum Pulse Width |                  |   | 1                      |     |                       | µs    |
| $\overline{\text{MR}}$ Glitch Immunity     |                  | V <sub>CC</sub> = 2.5V  |                        | 100 |                       | ns    |
| $\overline{\text{MR}}$ to Reset Delay      |                  | V <sub>CC</sub> = 2.5V  |                        | 120 |                       | ns    |
| $\overline{\text{MR}}$ Pullup Resistance   |                  |   | 50                     | 85  |                       | kΩ    |

**Note 1:** Devices are tested at T<sub>A</sub> = +25°C and guaranteed by design for T<sub>A</sub> = T<sub>MIN</sub> to T<sub>MAX</sub>, as specified.**Note 2:**  $\overline{\text{WDPO}}$  will pulse low if a falling edge is detected on WDI before this timeout period expires.**Note 3:** To avoid a potential fake fault, the first WDI pulse after the rising edge of  $\overline{\text{RESET}}$  or  $\overline{\text{WDPO}}$  will not create a fast watchdog timeout fault.**Note 4:**  $\overline{\text{WDPO}}$  will pulse low if no falling edge is detected on WDI after this timeout period expires.

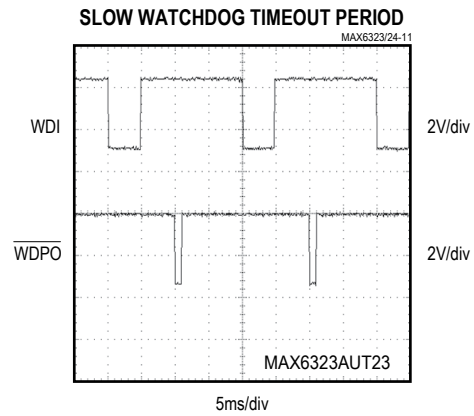
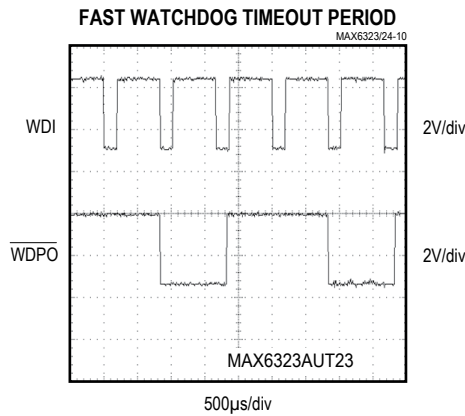
Typical Operating Characteristics

(V<sub>CC</sub> = full range, T<sub>A</sub> = +25°C, unless otherwise noted.)



Typical Operating Characteristics (continued)

(V<sub>CC</sub> = full range, T<sub>A</sub> = +25°C, unless otherwise noted.)



Pin Description

| PIN | NAME               | FUNCTION  |
|-----|--------------------|---|
| 1   | $\overline{MR}$    | Active-Low, Manual Reset Input. When $\overline{MR}$ is asserted low, $\overline{RESET}$ is asserted low, the internal watchdog timer is reset to zero, and $\overline{WDPO}$ is reset to high impedance (open drain). After the rising edge of $\overline{MR}$ , $\overline{RESET}$ is asserted for at least 100ms. Leave $\overline{MR}$ unconnected or connect to V <sub>CC</sub> if unused. |
| 2   | GND                | Ground  |
| 3   | WDI                | Watchdog Input. The internal watchdog timer clears to zero on the falling edge of WDI or when $\overline{RESET}$ goes high. If WDI sees another falling edge within the factory-trimmed watchdog window, $\overline{WDPO}$ will remain unasserted. Transitions outside this window, either faster or slower, will cause $\overline{WDPO}$ to pulse low for 1ms (typ).                           |
| 4   | V <sub>CC</sub>    | Supply Voltage for the Device. Input for V <sub>CC</sub> reset monitor. For noisy systems, bypass V <sub>CC</sub> with a 500pF (min) capacitor.   |
| 5   | $\overline{WDPO}$  | Watchdog Pulse Output. The open-drain $\overline{WDPO}$ output is pulsed low for 1ms (typ) upon detection of a fast or slow watchdog fault. $\overline{WDPO}$ is only active when $\overline{RESET}$ is high.   |
| 6   | $\overline{RESET}$ | Active-Low. Reset is asserted when V <sub>CC</sub> drops below V <sub>TH</sub> and remains asserted until V <sub>CC</sub> rises above V <sub>TH</sub> for the duration of the reset timeout period. The MAX6323 has a push-pull output and the MAX6324 has an open-drain output. Connect a pullup resistor from $\overline{RESET}$ to any supply voltage up to +6V.                             |

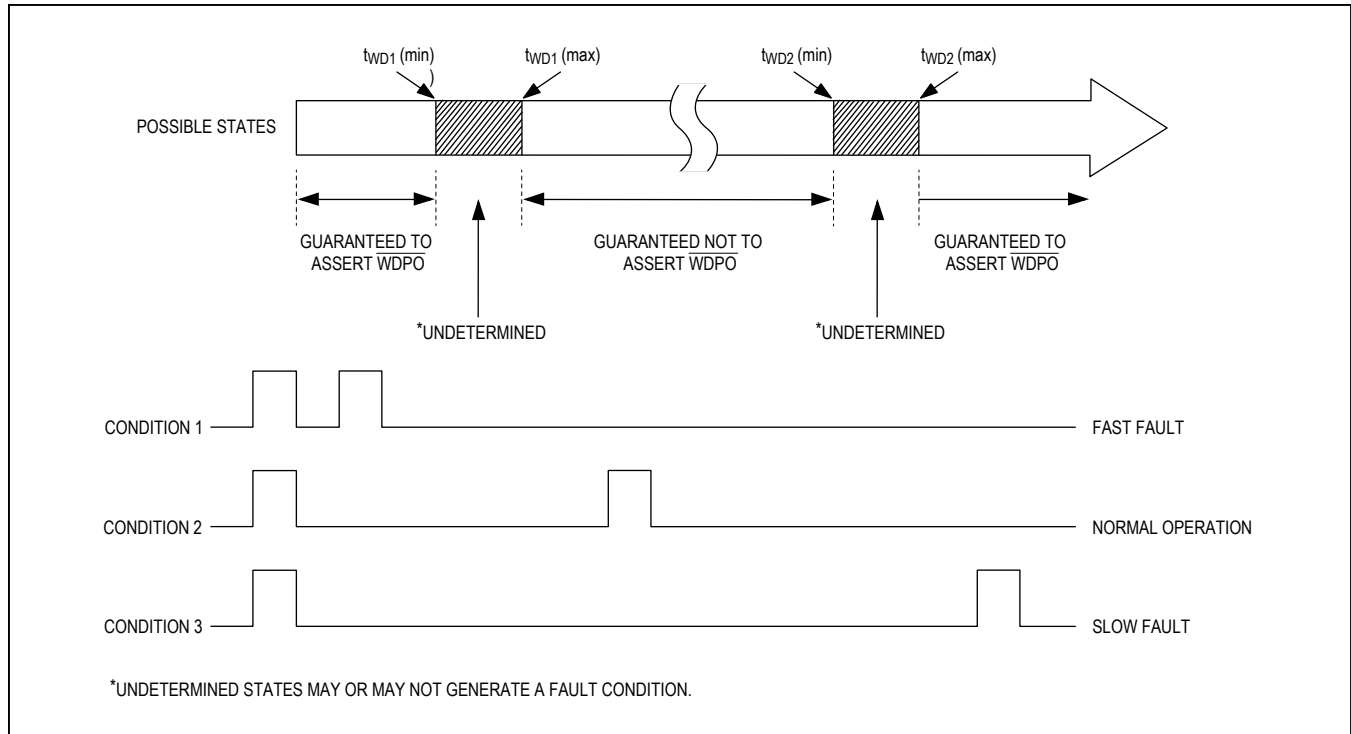


Figure 1. Detailed Watchdog Input Timing Relationship

### Detailed Description

The MAX6323/MAX6324 μP supervisory circuits maintain system integrity by alerting the μP to fault conditions. In addition to a standard V<sub>CC</sub> monitor (for power-on reset, brownout detect, and power-down reset), the devices include a sophisticated watchdog timer that detects when the processor is running outside an expected window of operation for a specific application. The watchdog signals a fault when the input pulses arrive too early (faster than the selected t<sub>WD1</sub> timeout period) or too late (slower than the selected t<sub>WD2</sub> timeout period) (Figure 1). Incorrect timing can lead to poor or dangerous system performance in tightly controlled operating environments. Incorrect timing could be the result of improper μP clocking or code execution errors. If a timing error occurs, the MAX6323/MAX6324 issue a watchdog pulse output, independent from the reset output, indicating that system maintenance may be required.

### Watchdog Function

A pulse on the watchdog output  $\overline{\text{WDPO}}$  can be triggered by a fast fault or a slow fault. If the watchdog input (WDI) has two falling edges too close to each other (faster

than t<sub>WD1</sub>) (Figure 2) or falling edges that are too far apart (slower than t<sub>WD2</sub>) (Figure 3),  $\overline{\text{WDPO}}$  is pulsed low. Normal watchdog operation is displayed in Figure 4 ( $\overline{\text{WDPO}}$  is not asserted). The internal watchdog timer is cleared when a WDI falling edge is detected within the valid watchdog window or when the device's  $\overline{\text{RESET}}$  or  $\overline{\text{WDPO}}$  outputs are deasserted. All WDI input pulses are ignored while either  $\overline{\text{RESET}}$  or  $\overline{\text{WDPO}}$  is asserted. Figure 1 identifies the input timing regions where  $\overline{\text{WDPO}}$  fault outputs will be observed with respect to t<sub>WD1</sub> and t<sub>WD2</sub>. After  $\overline{\text{RESET}}$  or  $\overline{\text{WDPO}}$  deasserts, the first WDI falling edge is ignored for the fast fault condition (Figure 2).

Upon detecting a watchdog fault, the  $\overline{\text{WDPO}}$  output will pulse low for 1ms.  $\overline{\text{WDPO}}$  is an open-drain output. Connect a pullup resistor on  $\overline{\text{WDPO}}$  to any supply up to +6V.

### V<sub>CC</sub> Reset

The MAX6323/MAX6324 also include a standard V<sub>CC</sub> reset monitor to ensure that the μP is started in a known state and to prevent code execution errors during power-up, power-down, or brownout conditions.  $\overline{\text{RESET}}$  is asserted whenever the V<sub>CC</sub> supply voltage

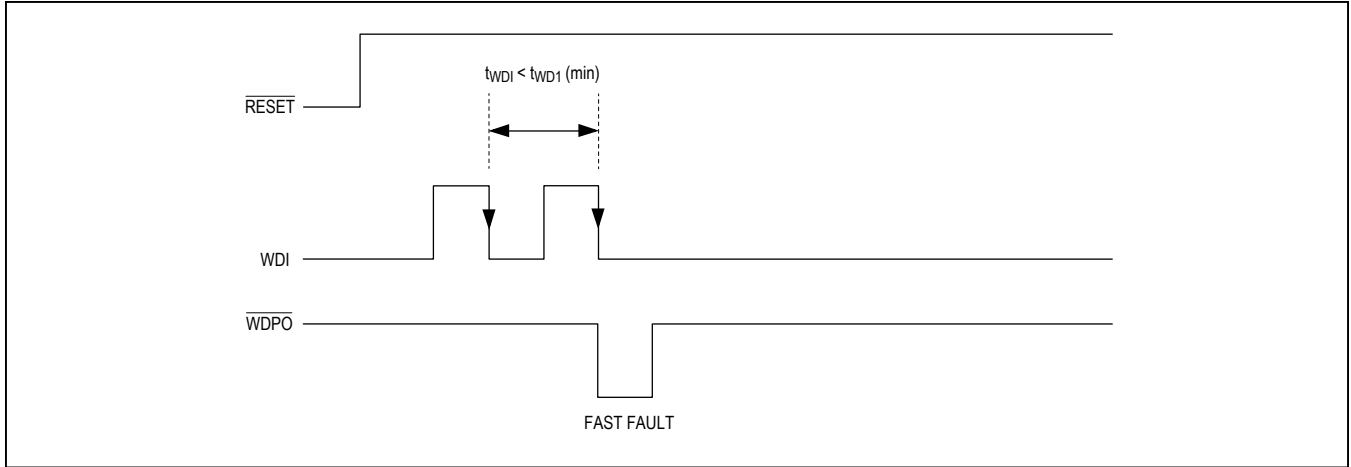


Figure 2. Fast Fault Timing

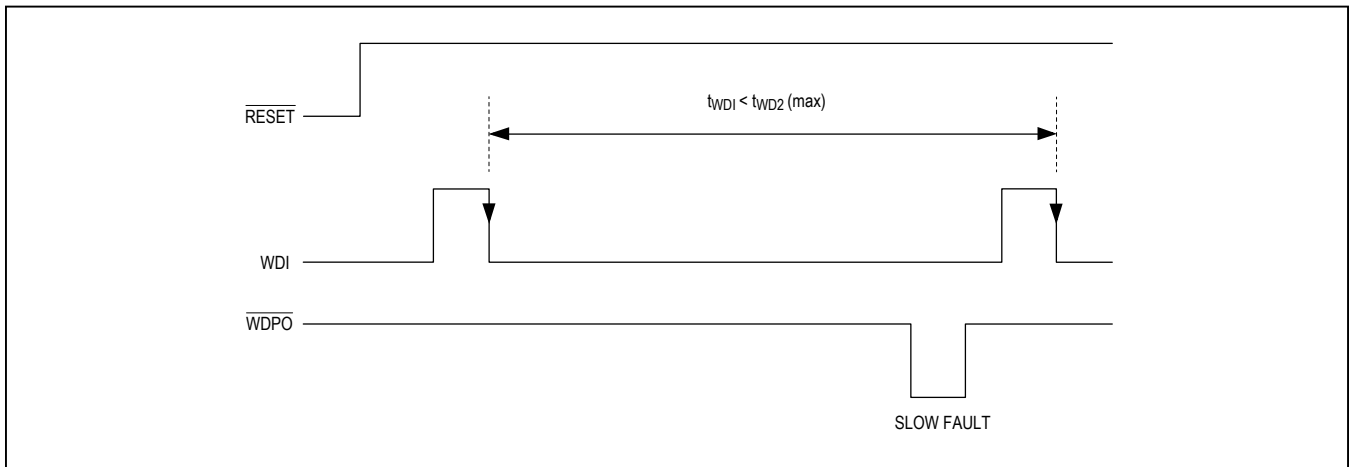


Figure 3. Slow Fault Timing

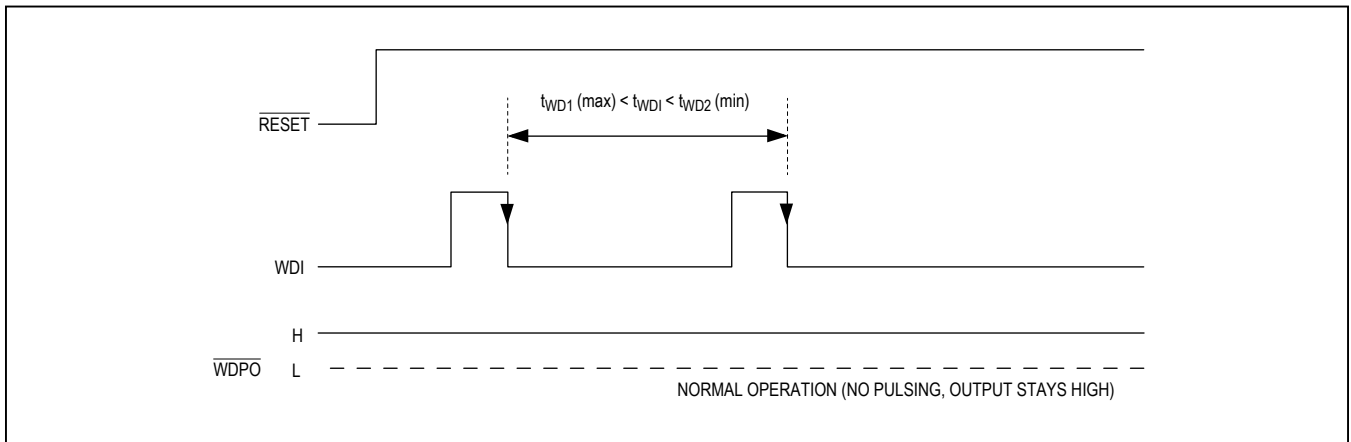


Figure 4. Normal Operation,  $\overline{WDPO}$  Not Asserted

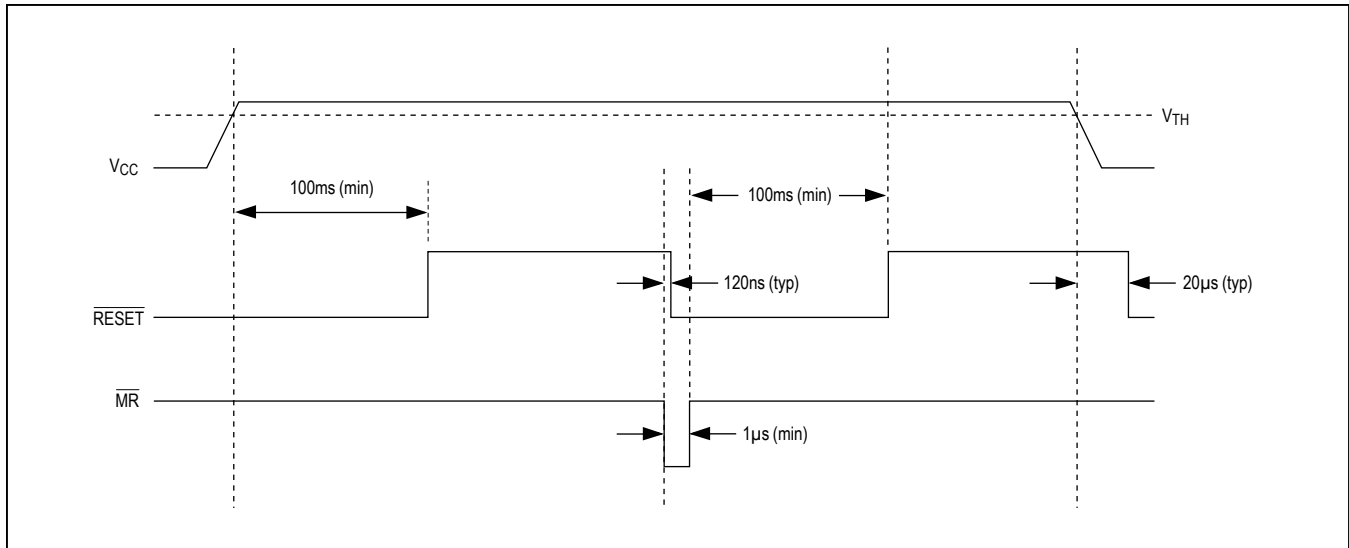


Figure 5.  $\overline{\text{RESET}}$  Timing Relationship

falls below the preset threshold or when the manual reset input ( $\overline{\text{MR}}$ ) is asserted. The  $\overline{\text{RESET}}$  output remains asserted for at least 100ms after  $V_{\text{CC}}$  has risen above the reset threshold and  $\overline{\text{MR}}$  is deasserted (Figure 5). For noisy environments, bypass  $V_{\text{CC}}$  with a 500pF (min) capacitor to ensure correct operation.

The MAX6323 has a push-pull output stage, and the MAX6324 utilizes an open-drain output. Connect a pullup resistor on the  $\overline{\text{RESET}}$  output of the MAX6324 to any supply up to +6V. Select a resistor value large enough to register a logic low (see *Electrical Characteristics*) and small enough to register a logic high while supplying all input leakage currents and leakage paths connected to the  $\overline{\text{RESET}}$  line. A 10k $\Omega$  pullup is sufficient in most applications.

### Manual Reset Input

Many µP-based products require manual reset capability to allow an operator or external logic circuitry to initiate a reset. The manual reset input ( $\overline{\text{MR}}$ ) can connect directly to a switch without an external pullup resistor or debouncing network.  $\overline{\text{MR}}$  is internally pulled up to  $V_{\text{CC}}$  and, therefore, can be left unconnected if unused.  $\overline{\text{MR}}$  is designed to reject fast, negative-going transients (typically 100ns pulses), and it must be held low for a minimum of 1µs to assert the reset output (Figure 5). A 0.1µF capacitor from  $\overline{\text{MR}}$  to ground provides additional noise immunity. After  $\overline{\text{MR}}$  transitions from low to high, reset will remain asserted for the duration of the reset timeout period, at least 100ms.

## Applications Information

### Negative-Going $V_{\text{CC}}$ Transients

The MAX6323/MAX6324 are relatively immune to short-duration negative-going  $V_{\text{CC}}$  transients (glitches), which usually do not require the entire system to shut down. Typically, 200ns large-amplitude pulses (from ground to  $V_{\text{CC}}$ ) on the supply will not cause a reset. Lower amplitude pulses result in greater immunity. Typically, a  $V_{\text{CC}}$  transient that falls 100mV below the reset threshold and lasts less than 20µs will not trigger a reset (see *Typical Operating Characteristics*). An optional 0.1µF bypass capacitor mounted close to  $V_{\text{CC}}$  provides additional transient immunity.

### Ensuring a Valid Reset Output Down to $V_{\text{CC}} = 0\text{V}$

When  $V_{\text{CC}}$  falls below +1.2V, the MAX6323  $\overline{\text{RESET}}$  output no longer sinks current; it becomes an open circuit. Therefore, high-impedance CMOS logic inputs connected to  $\overline{\text{RESET}}$  can drift to undetermined voltages. This does not present a problem in most applications, since most µPs and other circuitry are inoperative with  $V_{\text{CC}}$  below +1.2V. However, in applications where  $\overline{\text{RESET}}$  must be valid down to 0, adding a pulldown resistor to  $\overline{\text{RESET}}$  causes any stray leakage currents to flow to ground, holding  $\overline{\text{RESET}}$  low (Figure 6). R1's value is not critical; 100k $\Omega$  is large enough not to load  $\overline{\text{RESET}}$  and small enough to pull  $\overline{\text{RESET}}$  to ground. This scheme does not work with the open-drain output of the MAX6324.

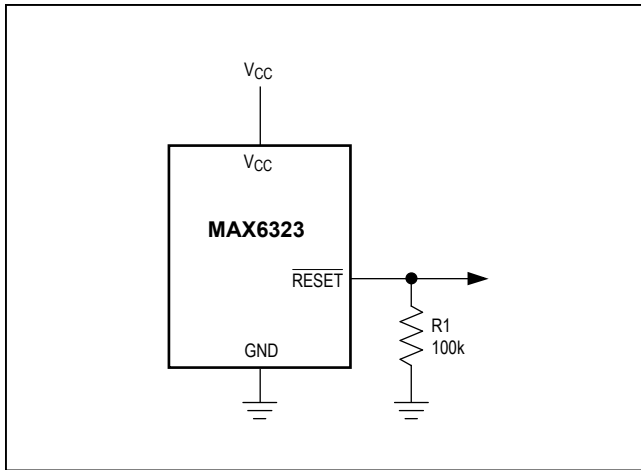


Figure 6.  $\overline{\text{RESET}}$  Valid to  $V_{CC} = \text{Ground}$  Circuit

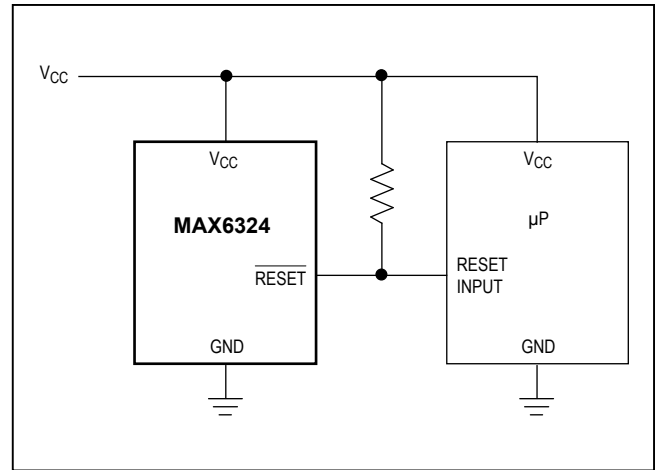


Figure 7. Interfacing to µPs with Bidirectional Reset Pins

### Interfacing to µPs with Bidirectional Reset Pins

Since the  $\overline{\text{RESET}}$  output on the MAX6324 is open-drain, this device easily interfaces with µPs that have bidirectional reset pins, such as the Motorola 68HC11. Connecting the µP supervisor's  $\overline{\text{RESET}}$  output directly to the microcontroller's (µC's)  $\overline{\text{RESET}}$  pin with a single pullup resistor allows either device to assert reset (Figure 7).

### MAX6324 Open-Drain $\overline{\text{RESET}}$ Output Allows Use with Multiple Supplies

Generally, the pullup resistor connected to the MAX6324 will connect to the supply voltage that is being monitored at the IC's  $V_{CC}$  pin. However, some systems may use the open-drain output to level-shift from the monitored supply to reset circuitry powered by some other supply (Figure 8). Keep in mind that as the MAX6324's  $V_{CC}$  decreases below +1.2V, so does the IC's ability to sink current at  $\overline{\text{RESET}}$ . Also, with any pullup resistor,  $\overline{\text{RESET}}$  will be pulled high as  $V_{CC}$  decays toward 0. The voltage where this occurs depends on the pullup resistor value and the voltage to which it is connected.

### Watchdog Software Considerations

To help the watchdog timer monitor software execution more closely, set and reset the watchdog input at different points in the program, rather than "pulsing" the watchdog input high-low-high or low-high-low. This technique avoids a "stuck" loop in which the watchdog time would continue

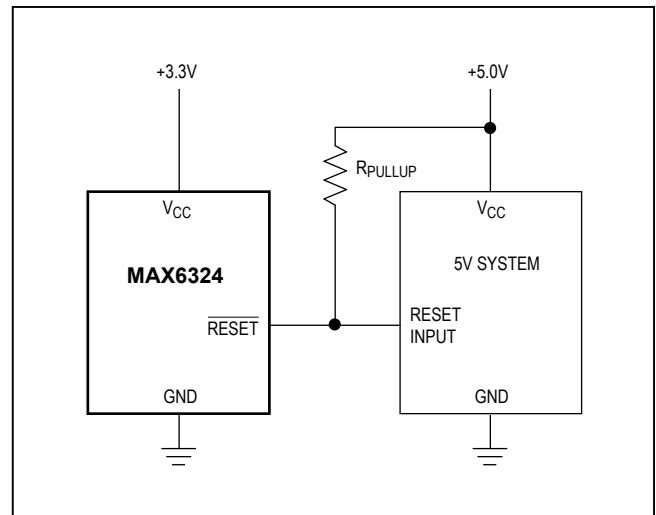


Figure 8. MAX6324 Open-Drain  $\overline{\text{RESET}}$  Output Allows Use with Multiple Supplies

to be reset within the loop, keeping the watchdog from timing out.

Figure 9 shows an example of a flow diagram where the I/O driving the watchdog input is set high at the beginning of the program, set low at the beginning of every subroutine or loop, then set high again when the program returns to the beginning. If the program should "hang" in any subroutine, the problem would be quickly corrected, since the I/O is continually set low and the watchdog time is allowed to time out, causing a reset or interrupt to be issued.

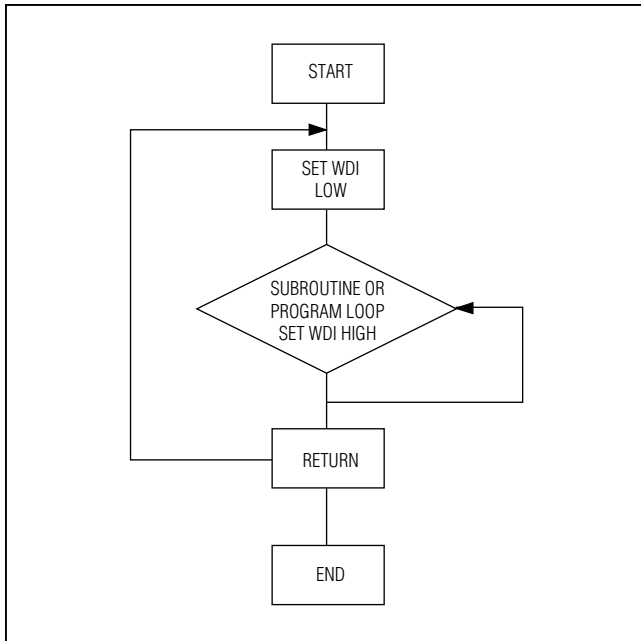


Figure 9. Watchdog Flow Diagram

**WDPO to MR Loopback**

An error detected by the watchdog often indicates that a problem has occurred in the μP code execution. This could be a stalled instruction or a loop from which the processor cannot free itself. If the μP will still respond to a nonmaskable input (NMI), the processor can be redirected to the proper code sequence by connecting the  $\overline{WDPO}$  output to an NMI input. Internal RAM data should not be lost, but it may have been contaminated by the same error that caused the watchdog to time out.

If the processor will not recognize NMI inputs, or if the internal data is considered potentially corrupted when a watchdog error occurs, the processor should be restarted with a reset function. To obtain proper reset timing characteristics, the  $\overline{WDPO}$  output should be connected to the  $\overline{MR}$  input, and the  $\overline{RESET}$  output should drive the μP  $\overline{RESET}$  input (Figure 10). The short 1ms  $\overline{WDPO}$  pulse output will assert the manual reset input and force the  $\overline{RESET}$  output to assert for the full reset timeout period (100ms min). All internal RAM data is lost during the reset period, but the processor is guaranteed to begin in the proper operating state.

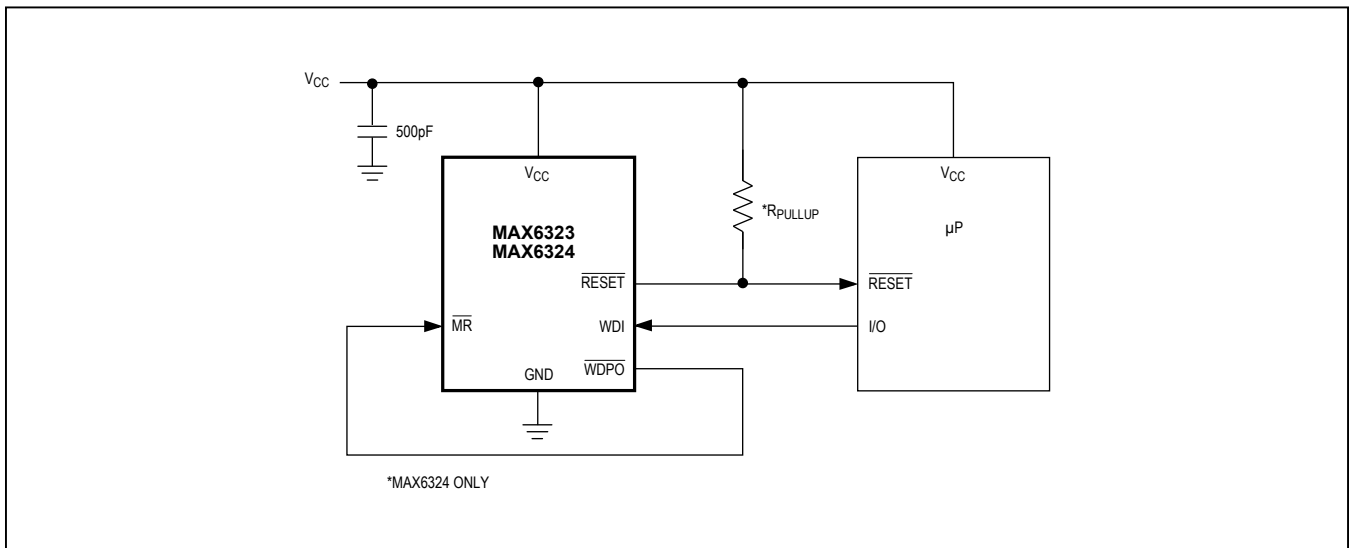


Figure 10.  $\overline{WDPO}$  to  $\overline{MR}$  Loopback Circuit

# MAX6323/MAX6324

# µP Supervisory Circuits with Windowed (Min/Max) Watchdog and Manual Reset

## Standard Versions

|              |              |
|--------------|--------------|
| MAX6323AUT29 | MAX6324AUT29 |
| MAX6323AUT46 | MAX6324AUT46 |
| MAX6323CUT29 | MAX6324BUT29 |
| MAX6323CUT46 | MAX6324BUT46 |
| MAX6323DUT29 | MAX6324EUT29 |
| MAX6323DUT46 | MAX6324EUT46 |
| MAX6323HUT29 | MAX6324HUT29 |
| MAX6323HUT46 | MAX6324HUT46 |

## Reset Threshold Range (-40°C to +125°C)

| SUFFIX | MIN  | TYP  | MAX  | UNITS |
|--------|------|------|------|-------|
| 46     | 4.50 | 4.63 | 4.75 | V     |
| 44     | 4.25 | 4.38 | 4.50 |       |
| 31     | 3.00 | 3.08 | 3.15 |       |
| 29     | 2.85 | 2.93 | 3.00 |       |
| 26     | 2.55 | 2.63 | 2.70 |       |
| 23     | 2.25 | 2.32 | 2.38 |       |

## Ordering Information (continued)

| PART            | TEMP RANGE      | PIN-PACKAGE | RESET OUTPUT |
|-----------------|-----------------|-------------|--------------|
| MAX6324_UT__-T  | -40°C to +125°C | 6 SOT23     | Open Drain   |
| MAX6324_UT__V+T | -40°C to +125°C | 6 SOT23     | Open Drain   |
| MAX6324HUT44V+T | -40°C to +125°C | 6 SOT23     | Open Drain   |

## Chip Information

TRANSISTOR COUNT: 1371

PROCESS: BiCMOS

\*These devices are factory trimmed to one of eight watchdog-timeout windows and one of six reset voltage thresholds. Insert the letter corresponding to the desired watchdog-timeout window (A, B, C, D, E, F, G, or H) into the blank following the number 6323 or 6324 (see Watchdog Timeout table). Insert the two-digit code (46, 44, 31, 29, 26, or 23) after the letters UT for the desired nominal reset threshold (see Reset Threshold Range table at end of data sheet).

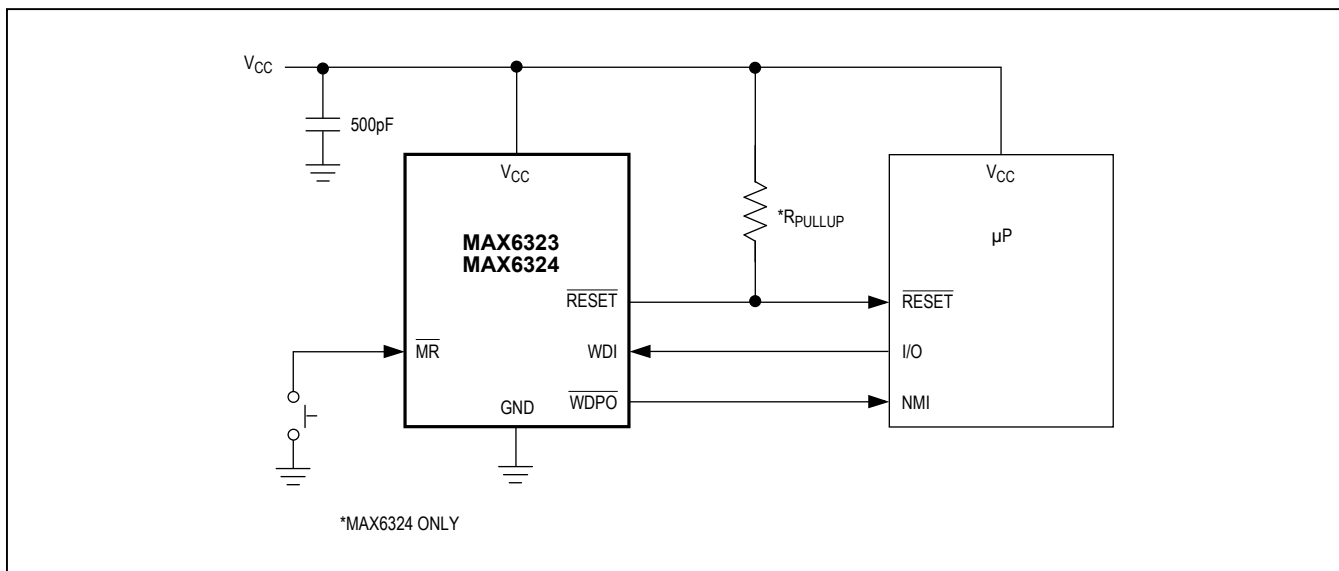
V denotes an automotive qualified part.

Devices are available in both leaded and lead-free packaging.

Specify lead-free by replacing "-T" with "+T" when ordering.

**Note:** There are eight standard versions of each device available (see Standard Versions table). Sample stock is generally held on standard versions only. Standard versions have an order increment requirement of 2500 pieces. Nonstandard versions have an order increment requirement of 10,000 pieces. Contact factory for availability of nonstandard versions.

Typical Operating Circuit



## Revision History

| REVISION NUMBER | REVISION DATE | DESCRIPTION   | PAGES CHANGED |
|-----------------|---------------|---|---------------|
| 0               | 10/00         | Initial release   | —             |
| 5               | 5/10          | Updated the <i>Ordering Information</i> and <i>Absolute Maximum Ratings</i> . | 1, 2, 10      |
| 6               | 1/11          | Corrected placement of <i>V</i> in the <i>Ordering Information</i> section    | 11            |
| 7               | 3/18          | Updated <i>Features</i> section and <i>Ordering Information</i> table         | 1, 12         |
| 8               | 12/18         | Updated <i>Package Information</i>  | 2, 12         |

For pricing, delivery, and ordering information, please visit Maxim Integrated's online storefront at <https://www.maximintegrated.com/en/storefront/storefront.html>.

Maxim Integrated cannot assume responsibility for use of any circuitry other than circuitry entirely embodied in a Maxim Integrated product. No circuit patent licenses are implied. Maxim Integrated reserves the right to change the circuitry and specifications without notice at any time. The parametric values (min and max limits) shown in the Electrical Characteristics table are guaranteed. Other parametric values quoted in this data sheet are provided for guidance.

## Looking for pricing, stock, or lifecycle information?

Click below to explore more details on WIN SOURCE:

- ⊖ [View MAX6323EUT29+T on WIN SOURCE](#)
- ⊖ [Maxim Integrated Information](#)

## Optimize Your Supply Chain with WIN SOURCE Solutions

- ✓ Global Sourcing Solution
- ✓ Obsolete Management
- ✓ Cost Control Management
- ✓ Shortage Management
- ✓ Alternative Solution
- ✓ Excess Inventory Management