



**THE DATASHEET OF
MAX3693ECJ+T**



+3.3V, 622Mbps, SDH/SONET 4:1 Serializer with Clock Synthesis and LVDS Inputs

General Description

The MAX3693 serializer is ideal for converting 4-bit-wide, 155Mbps parallel data to 622Mbps serial data in ATM and SDH/SONET applications. Operating from a single +3.3V supply, this device accepts low-voltage differential-signal (LVDS) clock and data inputs for interfacing with high-speed digital circuitry, and delivers a 3.3V PECL serial-data output. A fully integrated PLL synthesizes an internal 622Mbps serial clock from a 155.52MHz, 77.76MHz, 51.84MHz, or 38.88MHz reference clock.

The MAX3693 is available in the extended temperature range (-40°C to +85°C), in a 32-pin TQFP package.

Applications

622Mbps SDH/SONET Transmission Systems
622Mbps ATM/SONET Access Nodes
Add/Drop Multiplexers
Digital Cross Connects

Features

- ◆ Single +3.3V Supply
- ◆ 155Mbps (4-bit-wide) Parallel to 622Mbps Serial Conversion
- ◆ Clock Synthesis for 622Mbps
- ◆ 215mW Power
- ◆ Multiple Clock Reference Frequencies (155.52MHz, 77.76MHz, 51.84MHz, 38.88MHz)
- ◆ LVDS Parallel Clock and Data Inputs
- ◆ Differential 3.3V PECL Serial-Data Output

MAX3693

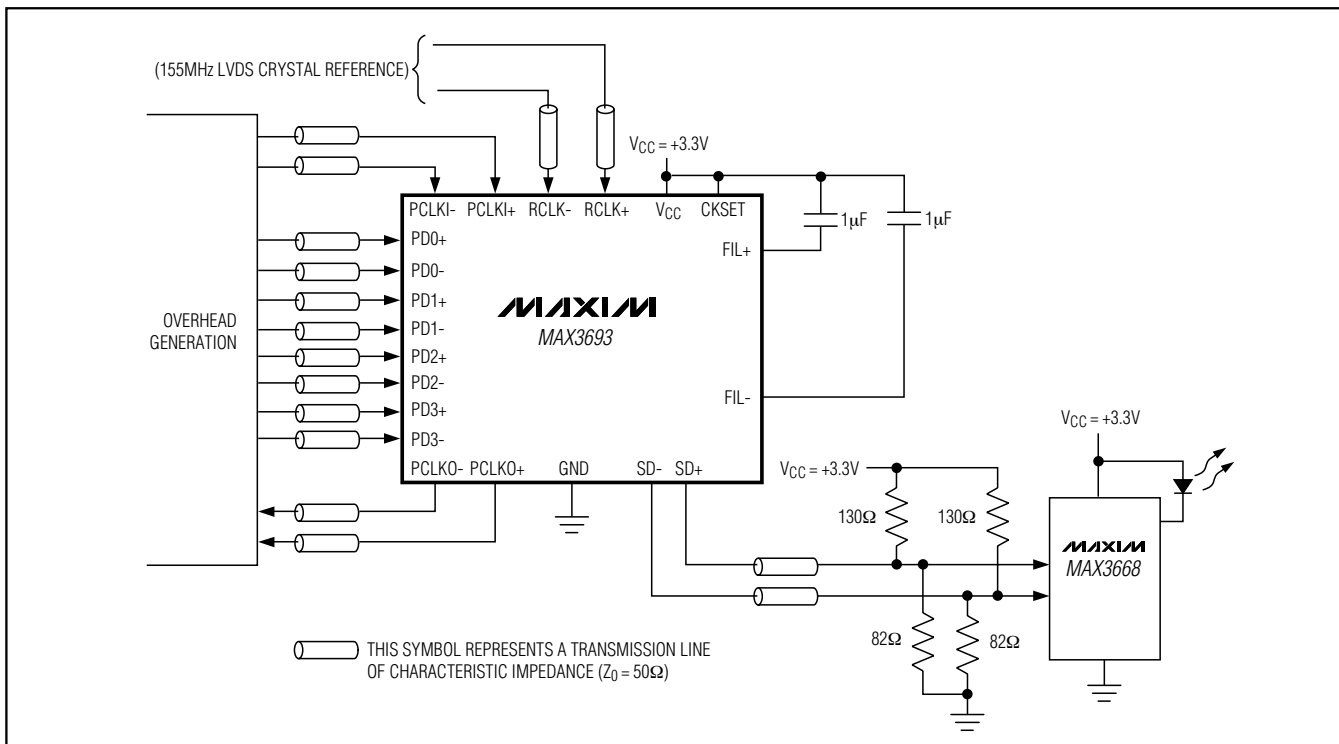
Ordering Information

PART	TEMP RANGE	PIN-PACKAGE
MAX3693ECJ	-40°C to +85°C	32 TQFP
MAX3693ECJ+	-40°C to +85°C	32 TQFP

+Denotes lead-free package.

Pin Configuration appears at end of data sheet.

Typical Operating Circuit



+3.3V, 622Mbps, SDH/SONET 4:1 Serializer with Clock Synthesis and LVDS Inputs

ABSOLUTE MAXIMUM RATINGS

Terminal Voltage (with respect to GND)

V_{CC} -0.5V to +5V
 All Inputs, FIL+, FIL-,
 PCLKO+, PCLKO- -0.5V to (V_{CC} + 0.5V)

Output Current

LVDS Outputs (PCLKO±) 10mA
 PECL Outputs (SD±) 50mA

Continuous Power Dissipation (T_A = +85°C)

TQFP (derate 10.20mW/°C above +85°C) 663mW
 Operating Temperature Range -40°C to +85°C
 Storage Temperature Range -60°C to +160°C
 Lead Temperature (soldering, 10s) +300°C

Stresses beyond those listed under "Absolute Maximum Ratings" may cause permanent damage to the device. These are stress ratings only, and functional operation of the device at these or any other conditions beyond those indicated in the operational sections of the specifications is not implied. Exposure to absolute maximum rating conditions for extended periods may affect device reliability.

DC ELECTRICAL CHARACTERISTICS

(V_{CC} = +3V to +3.6V, differential LVDS loads = 100Ω ±1%, PECL loads = 50Ω ±1% to (V_{CC} - 2V), T_A = -40°C to +85°C, unless otherwise noted. Typical values are at V_{CC} = +3.3V, T_A = +25°C.)

PARAMETER	SYMBOL	CONDITIONS	MIN	TYP	MAX	UNITS
Supply Current	I _{CC}	PECL outputs unterminated	38	65	100	mA
PECL OUTPUTS (SD±)						
Output High Voltage	V _{OH}	T _A = 0°C to +85°C	V _{CC} - 1.025	V _{CC} - 0.88		V
		T _A = -40°C	V _{CC} - 1.085	V _{CC} - 0.88		
Output Low Voltage	V _{OL}	T _A = 0°C to +85°C	V _{CC} - 1.81	V _{CC} - 1.62		V
		T _A = -40°C	V _{CC} - 1.83	V _{CC} - 1.555		
LVDS INPUTS AND OUTPUTS (PCLKI±, RCLK±, PCLKO±, PD_±)						
Input Voltage Range	V _I	Differential input voltage = 100mV	0		2.4	V
Differential Input Threshold	V _{IDTH}	Common-mode voltage = 50mV	-100		100	mV
Threshold Hysteresis	V _{HYST}			60		mV
Differential Input Resistance	R _{IN}		85	100	115	Ω
Output High Voltage	V _{OH}				1.475	V
Output Low Voltage	V _{OL}		0.925			V
Differential Output Voltage	V _{OD}		250		400	mV
Change in Magnitude of Differential Output Voltage for Complementary States	Δ V _{OD}				±25	mV
Output Offset Voltage	V _{OS}		1.125		1.275	V
Change in Magnitude of Output Offset Voltage for Complementary States	ΔV _{OS}				±25	mV
Single-Ended Output Resistance	R _O		40	95	140	Ω
Change in Magnitude of Single-Ended Output Resistance for Complementary Outputs	ΔR _O			±2.5	±10	%
PROGRAMMING INPUT (CKSET)						
CKSET Input Current	I _{CKSET}	CKSET = 0 or V _{CC}			±500	μA

+3.3V, 622Mbps, SDH/SONET 4:1 Serializer with Clock Synthesis and LVDS Inputs

AC ELECTRICAL CHARACTERISTICS

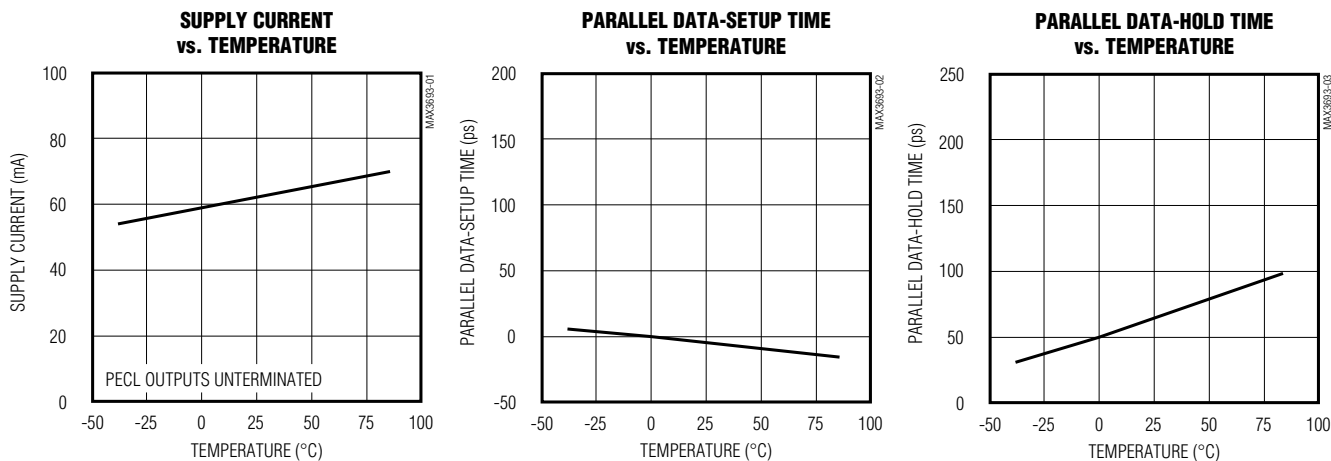
($V_{CC} = +3V$ to $+3.6V$, differential LVDS load = $100\Omega \pm 1\%$, PECL loads = $50\Omega \pm 1\%$ to $(V_{CC} - 2V)$, $T_A = -40^\circ C$ to $+85^\circ C$, unless otherwise noted. Typical values are at $V_{CC} = +3.3V$, $T_A = +25^\circ C$.) (Note 1)

PARAMETER	SYMBOL	CONDITIONS	MIN	TYP	MAX	UNITS
Serial Clock Rate	f _{SCLK}			622.08		MHz
Parallel Data-Setup Time	t _{SU}	T _A = +25°C	200			ps
Parallel Data-Hold Time	t _H		600			ps
PCLKO to PCLKI Skew	t _{SKREW}		0		+4.0	ns
Output Random Jitter	Φ ₀				11	psRMS
PECL Differential Output Rise/Fall Time	t _R , t _F			200		ps

Note 1: AC characteristics guaranteed by design and characterization.

Typical Operating Characteristics

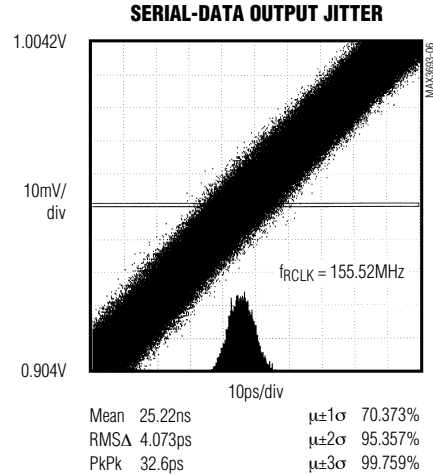
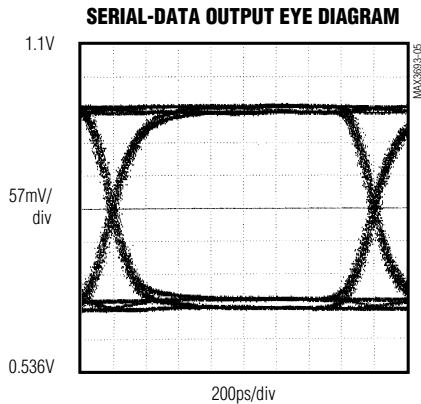
($V_{CC} = +3.3V$, differential LVDS loads = $100\Omega \pm 1\%$, PECL loads = $50\Omega \pm 1\%$ to $(V_{CC} - 2V)$, $T_A = +25^\circ C$, unless otherwise noted.)



+3.3V, 622Mbps, SDH/SONET 4:1 Serializer with Clock Synthesis and LVDS Inputs

Typical Operating Characteristics (continued)

($V_{CC} = +3.3V$, differential LVDS loads = $100\Omega \pm 1\%$, PECL loads = $50\Omega \pm 1\%$ to ($V_{CC} - 2V$), $T_A = +25^\circ C$, unless otherwise noted.)



Pin Description

PIN	NAME	FUNCTION
1, 3, 5, 7	PD0+ to PD3+	Noninverting LVDS Parallel Data Inputs. Data is clocked in on the PCLKI signal's positive transition.
2, 4, 6, 8	PD0- to PD3-	Inverting LVDS Parallel Data Inputs. Data is clocked in on the PCLKI signal's positive transition.
9, 17, 18, 19, 24, 25, 32	GND	Ground
10	PCLKO-	Inverting LVDS Parallel-Clock Output. Use positive transition of PCLKO to clock the overhead management circuit.
11	PCLKO+	Noninverting LVDS Parallel-Clock Output. Use positive transition of PCLKO to clock the overhead management circuit.
12, 13, 16, 21, 28, 29	V_{CC}	+3.3V Supply Voltage
14	SD-	Inverting PECL Serial-Data Output
15	SD+	Noninverting PECL Serial-Data Output
20	CKSET	Reference Clock Rate Programming Pin. CKSET = V_{CC} : Reference Clock Rate = 155.52MHz CKSET = Open: Reference Clock Rate = 77.76MHz CKSET = 20k Ω to GND: Reference Clock Rate = 51.84MHz CKSET = GND Reference Clock Rate = 38.88MHz
22	FIL-	Filter Capacitor Input. See <i>Typical Operating Circuit</i> for external-component connections.
23	FIL+	Filter Capacitor Input. See <i>Typical Operating Circuit</i> for external-component connections.
26	RCLK+	Noninverting LVDS Reference Clock Input. Connect an LVDS-compatible crystal reference clock to the RCLK inputs.
27	RCLK-	Inverting LVDS Reference Clock Input. Connect an LVDS-compatible crystal reference clock to the RCLK inputs.
30	PCLKI+	Noninverting LVDS Parallel Clock Input. Connect the incoming parallel-data-clock signal to the PCLKI inputs. Note that data is updated on the positive transition of the PCLKI signal.
31	PCLKI-	Inverting LVDS Parallel Clock Input. Connect the incoming parallel-data-clock signal to the PCLKI inputs. Note that data is updated on the positive transition of the PCLKI signal.

+3.3V, 622Mbps, SDH/SONET 4:1 Serializer with Clock Synthesis and LVDS Inputs

MAX3693

Detailed Description

The MAX3693 serializer comprises a 4-bit parallel input register, a 4-bit shift register, control and timing logic, a PECL output buffer, LVDS input/output buffers, and a frequency-synthesizing PLL (consisting of a phase/frequency detector, loop filter/amplifier, voltage-controlled oscillator, and prescaler). This device converts 4-bit-wide, 155Mbps data to 622Mbps serial data (Figure 1).

The PLL synthesizes an internal 622Mbps reference used to clock the output shift register. This clock is generated by locking onto the external 155.52MHz, 77.76MHz, 51.84MHz, or 38.88MHz reference-clock signal (RCLK).

The incoming parallel data is clocked into the MAX3693 on the rising transition of the parallel-clock-input signal (PCLKI). The control and timing logic ensure proper operation if the parallel-input register is latched within a window of time that is defined with respect to the parallel-clock-output signal (PCLKO). PCLKO is the synthesized 622Mbps internal serial-clock signal divided by four. The allowable PCLKO-to-PCLKI skew is 0 to +4ns. This defines a timing window at about the PCLKO rising edge, during which a PCLKI rising edge may occur (Figure 2).

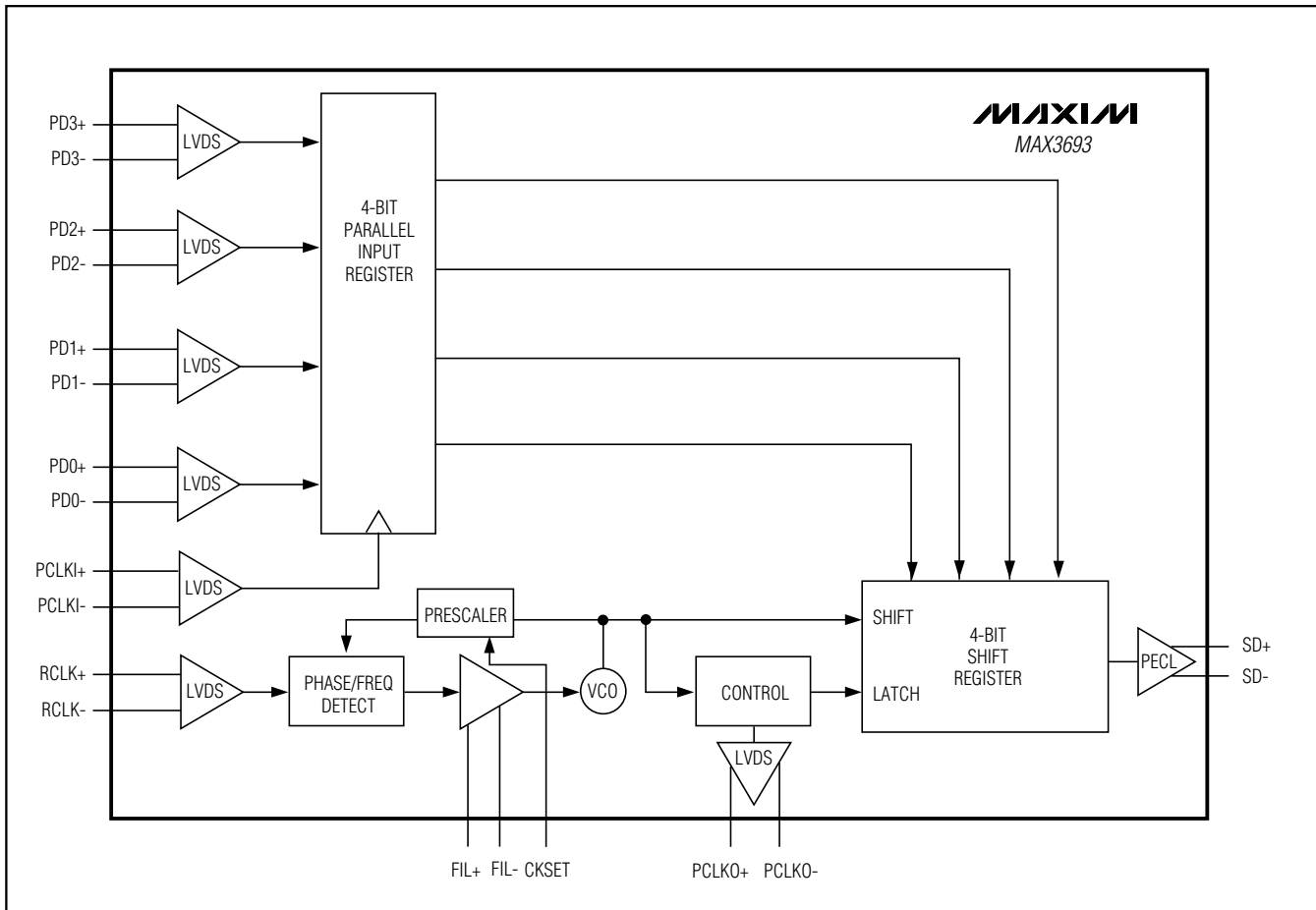


Figure 1. Functional Diagram

+3.3V, 622Mbps, SDH/SONET 4:1 Serializer with Clock Synthesis and LVDS Inputs

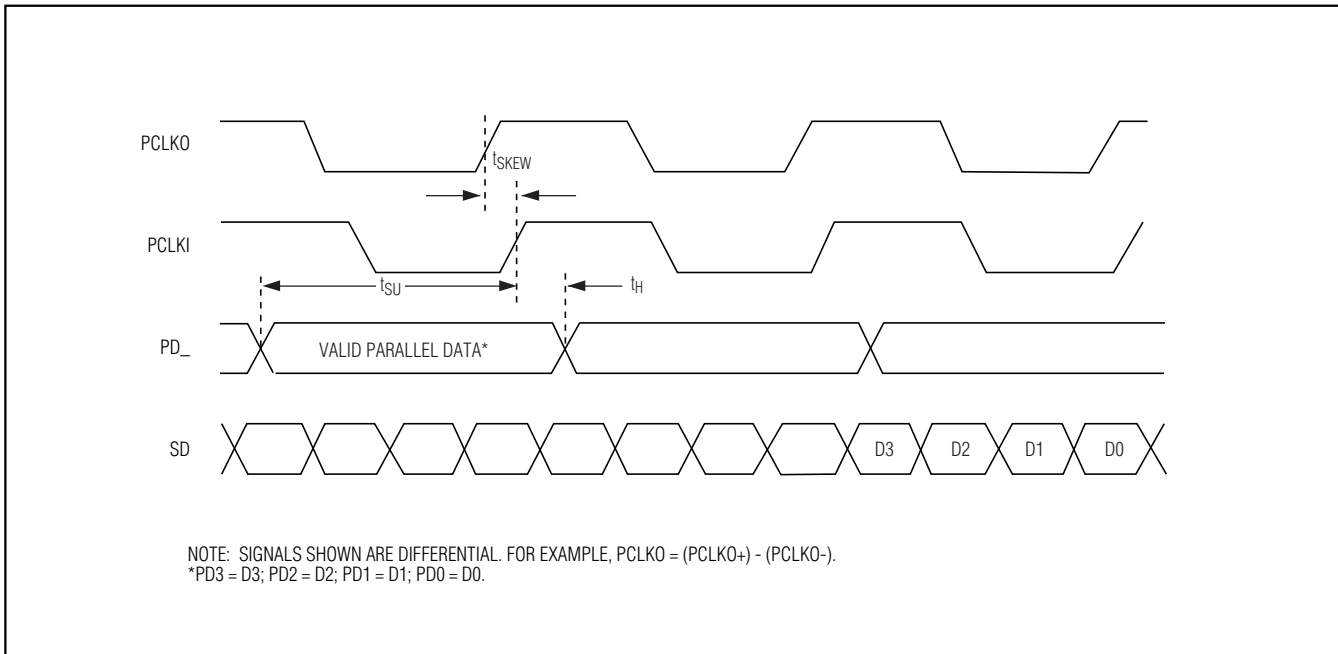


Figure 2. Timing Diagram

Low-Voltage Differential-Signal (LVDS) Inputs and Outputs

The MAX3693 features LVDS inputs and outputs for interfacing with high-speed digital circuitry. The LVDS standard is based on the IEEE 1596.3 LVDS specification. This technology uses 250mV to 400mV differential low-voltage swings to achieve fast transition times, minimized power dissipation, and noise immunity.

For proper operation, the parallel-clock LVDS outputs (PCLKO+, PCLKO-) require 100Ω differential DC termi-

nation between the inverting and noninverting outputs. Do not terminate these outputs to ground.

The parallel data and parallel clock LVDS inputs (PD_+, PD_-, PCLKI+, PCLKI-, RCLK+, RCLK-) are internally terminated with 100Ω differential input resistance, and therefore do not require external termination.

PECL Outputs

The serial-data PECL outputs (SD+, SD-) require 50Ω DC termination to (VCC - 2V) (see the *Alternative PECL-Output Termination* section).

+3.3V, 622Mbps, SDH/SONET 4:1 Serializer with Clock Synthesis and LVDS Inputs

MAX3693

Applications Information

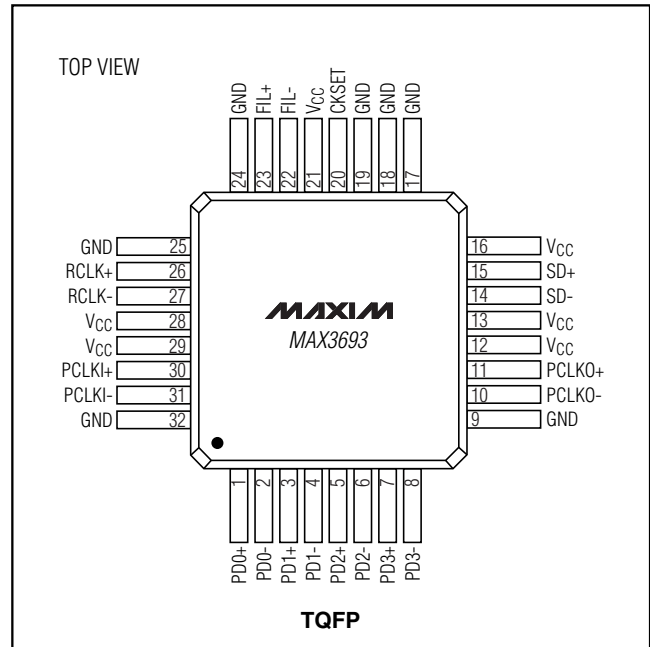
Alternative PECL-Output Termination

Figure 3 shows alternative PECL output-termination methods. Use Thevenin-equivalent termination when a ($V_{CC} - 2V$) termination voltage is not available. If AC coupling is necessary, be sure that the coupling capacitor is placed following the 50Ω or Thevenin-equivalent DC termination.

Layout Techniques

For best performance, use good high-frequency layout techniques. Filter voltage supplies and keep ground connections short. Use multiple vias where possible. Also, use controlled-impedance transmission lines to interface with the MAX3693 clock and data inputs and outputs.

Pin Configuration



Chip Information

TRANSISTOR COUNT: 2925

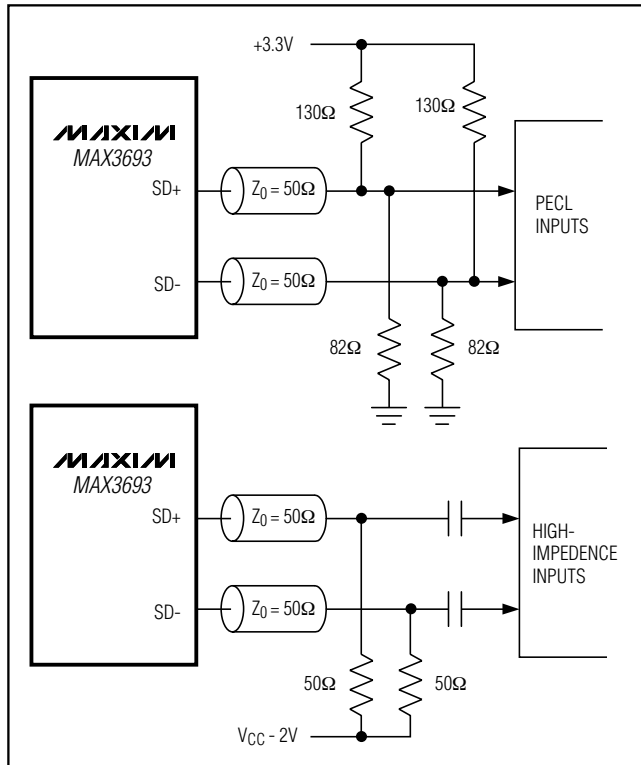


Figure 3. Alternative PECL-Output Termination

+3.3V, 622Mbps, SDH/SONET 4:1 Serializer with Clock Synthesis and LVDS Inputs

Package Information

(The package drawing(s) in this data sheet may not reflect the most current specifications. For the latest package outline information, go to www.maxim-ic.com/packages.)

JEDEC VARIATION				
	BC		BE	
	32 LEAD		48 LEAD	
	MIN.	MAX.	MIN.	MAX.
A	---	1.60	---	1.60
A ₁	0.05	0.15	0.05	0.15
A ₂	1.35	1.45	1.35	1.45
D	8.90	9.10	8.90	9.10
D ₁	7.00	BSC.	7.00	BSC.
E	8.90	9.10	8.90	9.10
E ₁	7.00	BSC.	7.00	BSC.
e	0.8	BSC.	0.5	BSC.
L	0.45	0.75	0.45	0.75
b	0.30	0.45	0.17	0.27
c	0.09	0.20	0.09	0.20
α	0°	7°	0°	7°

NOTES:

1. ALL DIMENSIONING AND TOLERANCING CONFORM TO ANSI Y14.5-1982.
2. CONTROLLING DIMENSION: MILLIMETER.
3. THIS OUTLINE CONFORMS TO JEDEC PUBLICATION 95 REGISTRATION MO-136, VARIATIONS BC AND BE.
4. LEADS SHALL BE COPLANAR WITHIN .004 INCH.

MAXIM			
<small>PROPRIETARY INFORMATION</small>			
TITLE: PACKAGE OUTLINE, 32/48L, 7x7x1.4 MM TQFP			
APPROVAL	DOCUMENT CONTROL NO.	REV	D
	21-0054		1/1

32/48L, TQFP-EPS

Maxim cannot assume responsibility for use of any circuitry other than circuitry entirely embodied in a Maxim product. No circuit patent licenses are implied. Maxim reserves the right to change the circuitry and specifications without notice at any time.

8 **Maxim Integrated Products, 120 San Gabriel Drive, Sunnyvale, CA 94086 408-737-7600**

Looking for pricing, stock, or lifecycle information?

Click below to explore more details on WIN SOURCE:

 [View MAX3693ECJ+T on WIN SOURCE](#)

 [Maxim Integrated](#) Information

Optimize Your Supply Chain with WIN SOURCE Solutions

-  Global Sourcing Solution
-  Obsolete Management
-  Cost Control Management
-  Shortage Management
-  Alternative Solution
-  Excess Inventory Management