



**THE DATASHEET OF  
MAX15027ATB/V+T**



## General Description

The MAX15027/MAX15028 low-dropout linear regulators operate from input voltages as low as 1.425V and deliver up to 1A of continuous output current with a typical dropout voltage of only 75mV. The output voltage is adjustable from 0.5V to  $V_{IN}$  and is  $\pm 2\%$  accurate over load and line variations, from  $-40^{\circ}\text{C}$  to  $+125^{\circ}\text{C}$ . The MAX15028 features a BIAS input of 3V to 5.5V from an always-on power supply. The BIAS input current is reduced down to less than  $2\mu\text{A}$  during shutdown.

These regulators use small,  $1\mu\text{F}$  ceramic input capacitors and  $4.7\mu\text{F}$  ceramic output capacitors to deliver 1A output current. High bandwidth provides excellent transient response and limits the output voltage deviation to 15mV for a 500mA load step, with only a  $4.7\mu\text{F}$  ceramic output capacitor, and the voltage deviations can be reduced further by increasing the output capacitor.

These devices offer a logic-controlled shutdown input to reduce input current ( $I_{IN}$ ) consumption down to less than  $5.5\mu\text{A}$  in standby mode. Other features include a soft-start to reduce inrush current, short-circuit protection, and thermal-overload protection.

The MAX15028 features a BIAS input allowing a secondary supply to keep the LDO's internal circuitry alive if the voltage on IN goes to 0V. Both devices are fully specified from  $-40^{\circ}\text{C}$  to  $+125^{\circ}\text{C}$  and are available in a 10-pin thermally enhanced TDFN package (3mm x 3mm) that includes an exposed pad for optimal power dissipation. For a 500mA version of these LDOs, refer to the MAX15029/MAX15030 data sheet.

## Applications

- Automotive (Dead-Man LDO)
- Servers
- Storage
- Networking
- Base Stations
- Optical Modules
- ATE

## Features

- 1.425V to 3.6V Input Voltage Range
- Output Voltage Programmable from 0.5V to  $V_{IN}$
- Guaranteed Maximum 225mV Dropout at 1A Output Current
- $\pm 2\%$  Output Accuracy Over Load, Line, and Temperature
- Stable with Ceramic Capacitors
- Fast Transient Response
- $60\mu\text{A}$  Operating Bias Supply Current (MAX15028)
- $1.2\mu\text{A}$  Shutdown Bias Supply Current (MAX15028)
- Short-Circuit and Thermal Protection
- $-40^{\circ}\text{C}$  to  $+125^{\circ}\text{C}$  Operating Temperature Range
- Soft-Start Limits Inrush Current
- Thermally Enhanced 3mm x 3mm TDFN Package
- AEC-Q100 Qualified

Ordering Information appears at end of data sheet.

Typical Operating Circuits and Pin Configurations appear at end of data sheet.

**Absolute Maximum Ratings**

IN, FB, SS, I.C. to GND .....	-0.3V to +4.0V
BIAS to GND .....	-0.3V to +6V
EN to GND .....	-0.3V to the lower of (V <sub>BIAS</sub> + 0.3V) or +6V
OUT to GND .....	-0.3V to (V <sub>IN</sub> + 0.3V)
Output Short-Circuit Duration .....	Continuous
Continuous Power Dissipation (T <sub>A</sub> = +70°C)	
10-Pin TDFN, Multilayer Board	
(derate 24.4mW/°C above +70°C) .....	1951mW

Operating Junction Temperature Range .....	-40°C to +125°C
Maximum Junction Temperature .....	+150°C
Storage Temperature Range .....	-65°C to +150°C
Lead Temperature (soldering, 10s) .....	+300°C
Soldering Temperature (reflow) .....	+260°C

Stresses beyond those listed under "Absolute Maximum Ratings" may cause permanent damage to the device. These are stress ratings only, and functional operation of the device at these or any other conditions beyond those indicated in the operational sections of the specifications is not implied. Exposure to absolute maximum rating conditions for extended periods may affect device reliability.

**Package Thermal Characteristics (Note 1) Chip Information**

Junction-to-Ambient Thermal Resistance (θ <sub>JA</sub> ) .....	41°C/W
Junction-to-Case Thermal Resistance (θ <sub>JC</sub> ) .....	9°C/W

PROCESS: BiCMOS

**Note 1:** Package thermal resistances were obtained using the method described in JEDEC specification JESD51-7, using a four-layer board. For detailed information on package thermal considerations, refer to [www.maximintegrated.com/thermal-tutorial](http://www.maximintegrated.com/thermal-tutorial).

**Package Information**

For the latest package outline information and land patterns (footprints), go to [www.maximintegrated.com/packages](http://www.maximintegrated.com/packages). Note that a "+", "#", or "-" in the package code indicates RoHS status only. Package drawings may show a different suffix character, but the drawing pertains to the package regardless of RoHS status.

PACKAGE TYPE	PACKAGE CODE	OUTLINE NO.	LAND PATTERN NO.
10 TDFN-EP	T1033+1	<a href="#">21-0137</a>	<a href="#">90-0003</a>

**Electrical Characteristics**

(Circuit of Figure 1; V<sub>IN</sub> = 1.8V, V<sub>OUT</sub> = 1.2V, EN = IN for MAX15027, EN = BIAS for MAX15028, I<sub>OUT</sub> = 100mA, T<sub>A</sub> = T<sub>J</sub> = -40°C to +125°C. Typical values are at T<sub>A</sub> = +25°C, unless otherwise noted.) (Note 2)

PARAMETER	SYMBOL	CONDITIONS	MIN	TYP	MAX	UNITS	
<b>IN</b>							
Input Voltage Range	V <sub>IN</sub>	MAX15027	1.425		3.600	V	
		MAX15028	V <sub>BIAS</sub> = 3V to 5.5V		3.600		
Undervoltage Lockout	V <sub>UVLO</sub>	V <sub>IN</sub> rising, I <sub>OUT</sub> = 2mA	MAX15027		1.275	1.325	V
			MAX15028		1.04	1.106	
Undervoltage Lockout Hysteresis	V <sub>UVLO_HYST</sub>		50			mV	
Quiescent GND Current	I <sub>GND</sub>	V <sub>IN</sub> = 1.425V to 3.6V, V <sub>OUT</sub> = 1.2V, I <sub>OUT</sub> = 1mA, V <sub>BIAS</sub> = 3.3V	160	275	410	µA	
		V <sub>IN</sub> = 3.6V, V <sub>OUT</sub> = 3.3V, I <sub>OUT</sub> = 100mA	180	275	560		
		V <sub>IN</sub> = 3.3V, V <sub>OUT</sub> = 3.3V, I <sub>OUT</sub> = 500mA	170	315	470		
Input Supply Current in Shutdown	I <sub>IN_SD</sub>	V <sub>EN</sub> = 0V, T <sub>A</sub> = -40°C to +85°C		0.1	5.5	µA	

**Electrical Characteristics (continued)**

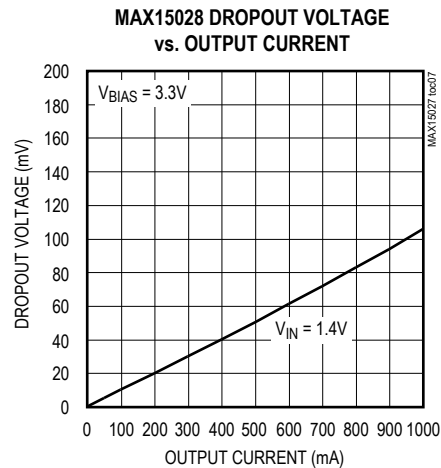
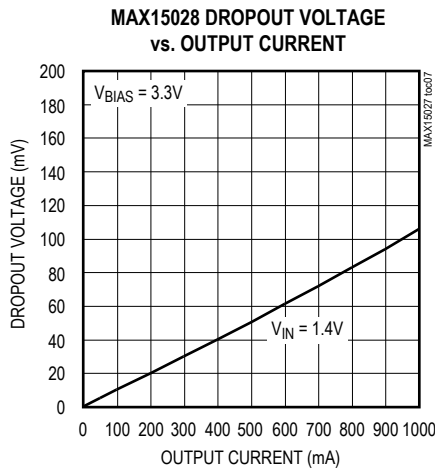
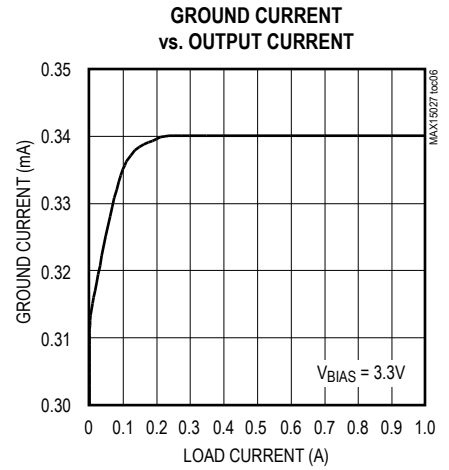
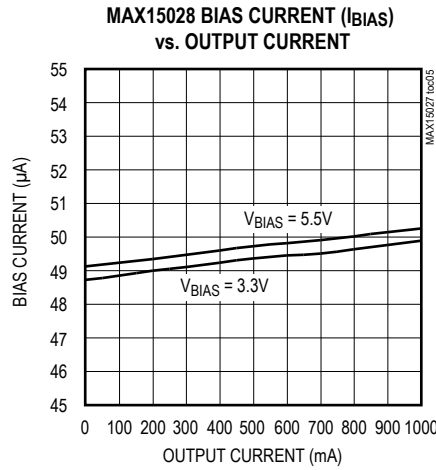
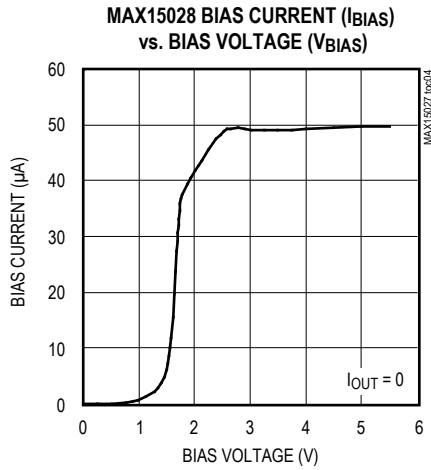
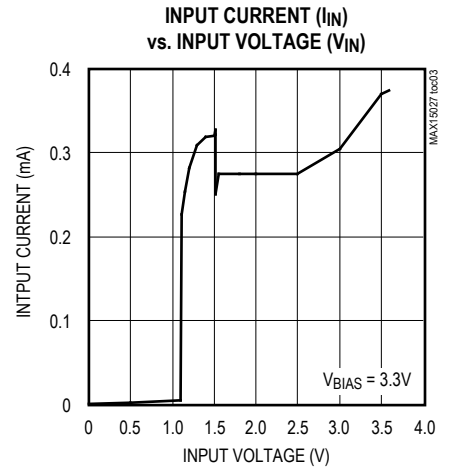
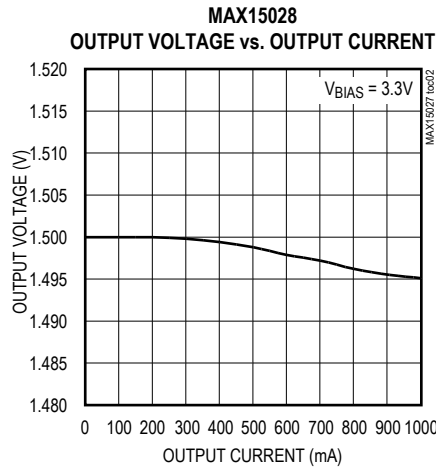
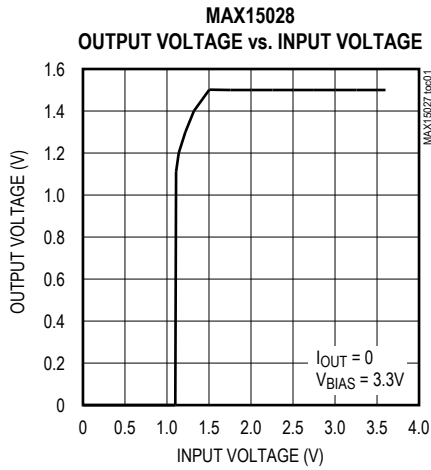
(Circuit of Figure 1;  $V_{IN} = 1.8V$ ,  $V_{OUT} = 1.2V$ , EN = IN for MAX15027, EN = BIAS for MAX15028,  $I_{OUT} = 100mA$ ,  $T_A = T_J = -40^{\circ}C$  to  $+125^{\circ}C$ . Typical values are at  $T_A = +25^{\circ}C$ , unless otherwise noted.) (Note 2)

PARAMETER	SYMBOL	CONDITIONS	MIN	TYP	MAX	UNITS
<b>BIAS (MAX15028)</b>						
Input Voltage Range	$V_{BIAS}$		3		5.5	V
Undervoltage Lockout	$V_{BIAS\_UVLO}$	$V_{BIAS}$ rising, $I_{OUT} = 2mA$	2.3	2.5	2.7	V
Undervoltage Lockout Hysteresis		$I_{OUT} = 2mA$		110		mV
Quiescent Input Supply Current	$I_{BIAS}$	$V_{EN} = V_{BIAS}$	20	60	120	$\mu A$
Input Supply Current in Shutdown	$I_{BIAS\_SD}$	EN = GND	$V_{IN} = 0V$ , $V_{OUT} = 0V$ , $V_{BIAS} = 3.3V$	1.2	2	$\mu A$
			$V_{IN} = 3.3V$ , $V_{OUT} = 0V$ , $V_{BIAS} = 3.3V$	1.2	2	
			$V_{IN} = 3.3V$ , $V_{OUT} = 0V$ , $V_{BIAS} = 5V$	1.5	3	
<b>OUT</b>						
Output Voltage Range	$V_{OUT}$		0.5		3.3	V
Load Regulation		$I_{OUT} = 1mA$ to 1A		0.01		mV/mA
Line Regulation		$V_{IN} = 1.425V$ to 3.6V, $I_{OUT} = 1mA$		4		mV
Dropout Voltage ( $V_{IN} - V_{OUT}$ )	$V_{DO}$	$I_{OUT} = 1A$ , $V_{IN} = 1.5V$		75	225	mV
Output Current Limit	$I_{LIM}$	$V_{FB} = 300mV$	1.4	1.7	2.0	A
<b>FB</b>						
Threshold Accuracy	$V_{FB}$	$V_{OUT} = 0.5V$ to 3.3V, $V_{IN} = (V_{OUT} + 0.3V)$ to 3.6V, $I_{OUT} = 1mA$ to 1A	0.489	0.499	0.509	mV
Input Current	$I_{FB}$	$V_{FB} = 0.688V$		0.1	0.2	$\mu A$
<b>EN/SOFT-START</b>						
Enable Input Threshold (MAX15028)	$V_{IH}$	$V_{BIAS} = 5V$	1.05		0.4	V
	$V_{IL}$					
Enable Input Threshold (MAX15027)	$V_{IH}$	$V_{IN} = 1.8V$	1.05		0.4	V
	$V_{IL}$					
Soft-Start Charging Current	$I_{SS}$			5		$\mu A$
Soft-Start Reference Voltage	$V_{SS}$			0.499		V
<b>THERMAL SHUTDOWN</b>						
Thermal-Shutdown Threshold		$T_J$ rising		165		$^{\circ}C$
Thermal-Shutdown Hysteresis				15		$^{\circ}C$

**Note 2:** All devices are 100% production tested at  $T_A = +25^{\circ}C$ . Limits over the operating temperature range are guaranteed by design and characterization.

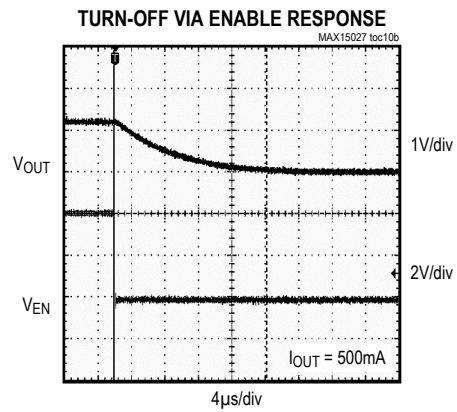
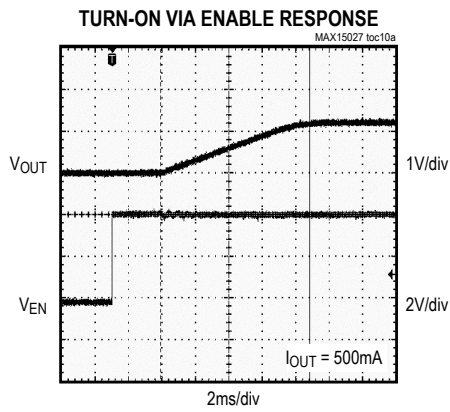
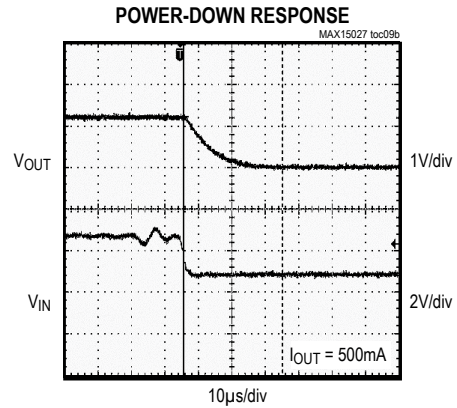
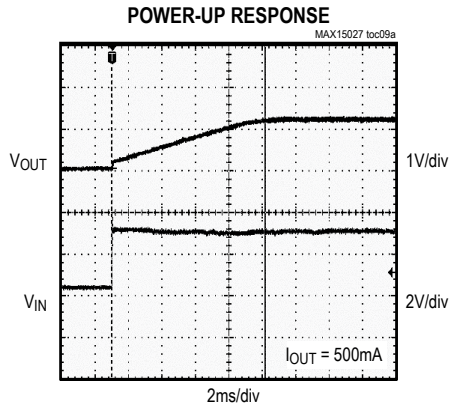
Typical Operating Characteristics

(Circuit of Figure 1,  $V_{IN} = 1.8V$ ,  $V_{OUT} = 1.5V$ ,  $I_{OUT} = 1A$ ,  $T_A = +25^{\circ}C$ , unless otherwise noted.)



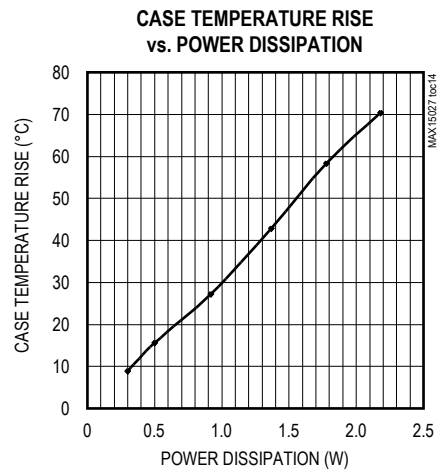
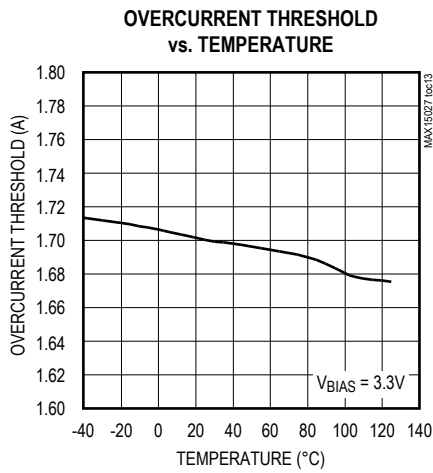
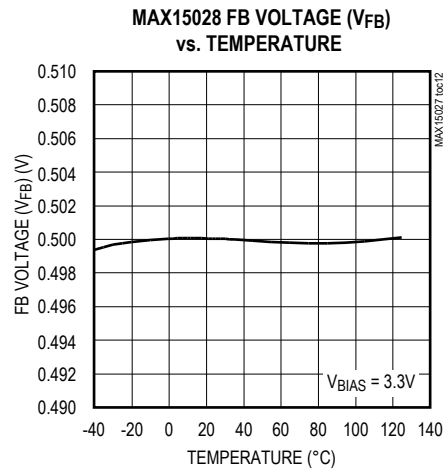
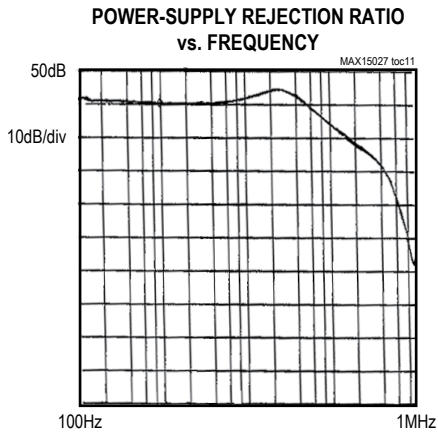
Typical Operating Characteristics (continued)

(Circuit of Figure 1,  $V_{IN} = 1.8V$ ,  $V_{OUT} = 1.5V$ ,  $I_{OUT} = 1A$ ,  $T_A = +25^{\circ}C$ , unless otherwise noted.)

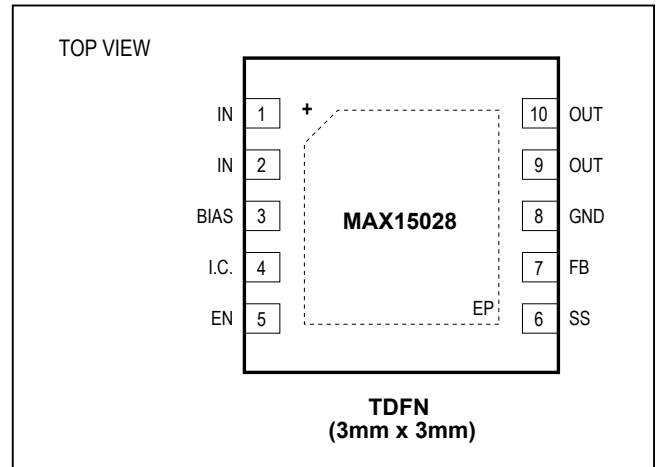
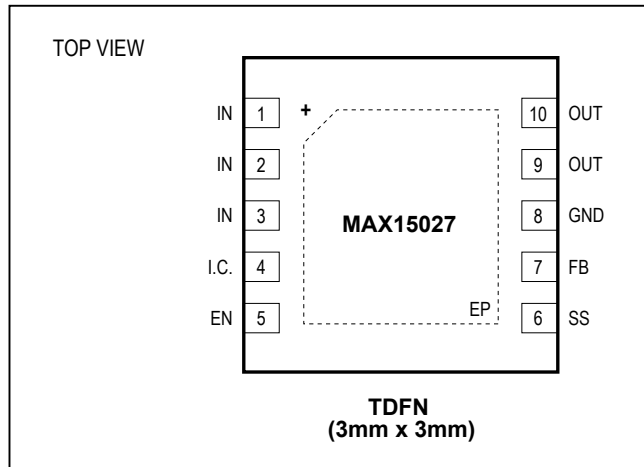


Typical Operating Characteristics (continued)

(Circuit of Figure 1,  $V_{IN} = 1.8V$ ,  $V_{OUT} = 1.5V$ ,  $I_{OUT} = 1A$ ,  $T_A = +25^{\circ}C$ , unless otherwise noted.)



Pin Configurations



Pin Description

PIN		NAME	FUNCTION
MAX15027	MAX15028		
1, 2, 3	1, 2	IN	Regulator Input. 1.425V to 3.6V voltage range. Bypass to GND with at least 1µF of ceramic capacitance. IN is high impedance when the LDO is shut down.
—	3	BIAS	Internal Circuitry Supply Input. BIAS supplies the power for the internal circuitry. 3V to 5.5V voltage range.
4	4	I.C.	Internally Connected. Connect I.C. directly to GND.
5	5	EN	LDO Enable. Drive EN high to enable the LDO or connect to IN (BIAS for MAX15028) for always-on operation. Drive EN low to disable the LDO and place the IC in low-power shutdown mode.
6	6	SS	Soft-Start Input. For typical operation, connect a 0.1µF capacitor from SS to GND. The soft-start timing is dependent on the value of this capacitor. See the <i>Soft-Start</i> section.
7	7	FB	Feedback Input. Connect FB to the center of a resistor-divider connected between OUT and GND to set the output voltage. See the <i>Programming the Output Voltage</i> section.
8	8	GND	Ground
9, 10	9, 10	OUT	Regulator Output. Bypass OUT to GND with at least 4.7µF of ceramic capacitance for 1A load operation.
—	—	EP	Exposed Pad. Connect EP to GND and a large copper ground plane to facilitate package power dissipation.



## Detailed Description

The MAX15027/MAX15028 low-dropout linear regulators operate from input voltages as low as 1.425V and deliver up to 1A of continuous output current with a maximum dropout voltage of only 225mV.

The MAX15028 operates with an input voltage as low as 1.425V if the bias voltage ( $V_{BIAS}$ ) of 3V to 5.5V is available. The power is applied at IN while the control is provided through BIAS input. The current drawn by BIAS is negligible when the LDO goes into shutdown. This feature is especially useful in automotive applications where the BIAS input is derived from an always-on LDO that expects to provide minimal power during the key-off condition.

The pMOS output stage can be driven from input voltages down to +1.425V without sacrificing stability or transient performance. The output voltage of all the regulators is adjustable from 0.5V to  $V_{IN}$  and is  $\pm 2\%$  accurate over load and line variations, from  $-40^{\circ}\text{C}$  to  $+125^{\circ}\text{C}$ . Since these regulators have a pMOS output device, supply current is not a significant function of load or input headroom.

### Internal p-Channel Pass Transistor

The devices feature a 75m $\Omega$  (typ) p-channel MOSFET pass transistor. Unlike similar designs using pnp pass transistors, p-channel MOSFETs require no base drive, reducing quiescent current.

pnp-based regulators also waste considerable current in dropout when the pass transistor saturates and use high base-drive currents under large loads. The devices do not suffer from these problems and consume only 275 $\mu\text{A}$  (typ) of quiescent current under heavy loads, as well as in dropout.

### Short-Circuit/Thermal Fault Protection

The devices are fully protected from a short circuit at the output through current limiting and thermal-overload circuitry. In the fault condition when the output is shorted to ground, the output current is limited to a maximum of

2A. Under these conditions, the device quickly heats up. When the junction temperature reaches  $+165^{\circ}\text{C}$  (typ), the thermal-overload circuitry turns off the output, allowing the part to cool down. When the junction temperature cools to  $+150^{\circ}\text{C}$  (typ), the output turns back on and reestablishes regulation. Current limiting and thermal protection continue until the fault is removed. For continuous operation, do not exceed the absolute maximum junction-temperature rating of  $T_J = +150^{\circ}\text{C}$ .

### Soft-Start

The devices feature a soft-start function that slowly ramps up the output voltage of the regulator based on the value of the capacitor ( $C_{SS}$ ) connected from SS to GND. Upon power-up,  $C_{SS}$  is charged with a 5 $\mu\text{A}$  (typ) current source through SS. The voltage at SS is compared to the internal 0.5V reference ( $V_{REF}$ ). The feedback voltage for regulation ( $V_{REG}$ ) is the lower of  $V_{SS}$  or  $V_{REF}$ . As  $V_{SS}$  rises, the regulation voltage ( $V_{REG}$ ) rises at the same rate. Once  $V_{SS}$  reaches and rises above  $V_{REF}$ , the regulation voltage then tracks the reference voltage since it is the lower of  $V_{SS}$  and  $V_{REF}$ . The value of  $C_{SS}$  determines the length of the soft-start time,  $t_{SS}$ . Use the following formula to determine  $C_{SS}$ .

$$C_{SS} = 10^{-5} \times t_{SS}$$

where  $C_{SS}$  is in farads and  $t_{SS}$  is in seconds.

### Shutdown Mode

The devices include an enable input. To shut down the IC, drive EN low. In shutdown mode, the current drawn by BIAS is less than 2 $\mu\text{A}$ . This feature is extremely useful in an automotive application where the BIAS input is derived from an always-on LDO expecting to provide minimal dark current. For normal operation, drive EN high or connect EN to IN (BIAS for MAX15028) for continuous on operation. During shutdown, an internal 10k $\Omega$  resistor is connected between OUT and GND.

## Applications Information

### Programming the Output Voltage

The MAX15027/MAX15028 feature an adjustable output voltage from 0.5V to  $V_{IN}$  using two external resistors connected as a voltage-divider to FB as shown in Figure 1. The output voltage is set by the following equation:

$$V_{OUT} = V_{FB} \left( 1 + \frac{R1}{R2} \right)$$

where typically  $V_{FB} = 0.5V$ . Choose R2 to be 10k $\Omega$ . Or, to optimize load-transient response for no load to full load transients, use the resistor-divider as a minimum load and choose R2 to be 500 $\Omega$ . To simplify resistor selection:

$$R1 = R2 \left( \frac{V_{OUT}}{V_{FB}} - 1 \right)$$

### Capacitor Selection and Regulator Stability

Capacitors are required at the device's inputs and outputs for stable operation over the full temperature range and with load currents up to 1A. Connect a 1 $\mu F$  capacitor between IN and ground and a 4.7 $\mu F$  capacitor with low equivalent series resistance (ESR) between OUT and ground for 1A output current.

The input capacitor ( $C_{IN}$ ) lowers the source impedance of the input supply. If input supply source impedance is high, place a larger input capacitor close to IN to prevent  $V_{IN}$  sagging due to load transients. Smaller output capacitors can be used for output currents less than 1A. Calculate the minimum  $C_{OUT}$  as follows:

$$C_{OUT} = I_{OUT(MAX)} \times \left( \frac{1\mu F}{0.25A} \right)$$

### Operating Region and Power Dissipation

The maximum power dissipation depends on the thermal resistance of the IC package and circuit board, the temperature difference between the die junction and ambient air, and the rate of airflow. The power dissipated in the device is  $P_{DISS} = I_{OUT} (V_{IN} - V_{OUT})$ . The package features an exposed thermal pad on its underside. This pad lowers the thermal resistance of the package by providing a direct heat conduction path from the die to the PCB. Connect the exposed backside pad and GND to the system ground using a large pad or ground plane and multiple vias to the ground plane layer.

### Noise, PSRR, and Transient Response

The devices are designed to operate with low-dropout voltages and low quiescent currents while still maintaining good noise performance, transient response, and AC rejection (see the *Typical Operating Characteristics* for a plot of Power-Supply Rejection Ratio (PSRR) vs. Frequency). When operating from noisy sources, improved supply-noise rejection and transient response can be achieved by increasing the values of the input and output bypass capacitors and through passive filtering techniques. The MAX15027/MAX15028 load-transient response graphs (see the *Typical Operating Characteristics*) show two components of the output response: a DC shift from the output impedance due to the load current change, and the transient response. A typical transient overshoot for a step change in the load current from 300mA to 800mA is 15mV. Use ceramic output capacitors greater than 4.7 $\mu F$  (up to 100 $\mu F$ ) to attenuate the overshoot.

### Layout Guidelines

The TDFN package has an exposed thermal pad on its underside. This pad provides a low thermal resistance path for heat transfer into the PCB. This low thermally resistive path carries a majority of the heat away from the IC. The PCB is effectively a heatsink for the IC. The exposed pad should be connected to a large ground plane for proper thermal and electrical performance. The minimum size of the ground plane is dependent upon many system variables. To create an efficient path, the exposed pad should be soldered to a thermal landing, which is connected to the ground plane by thermal vias. The thermal landing should be at least as large as the exposed pad.

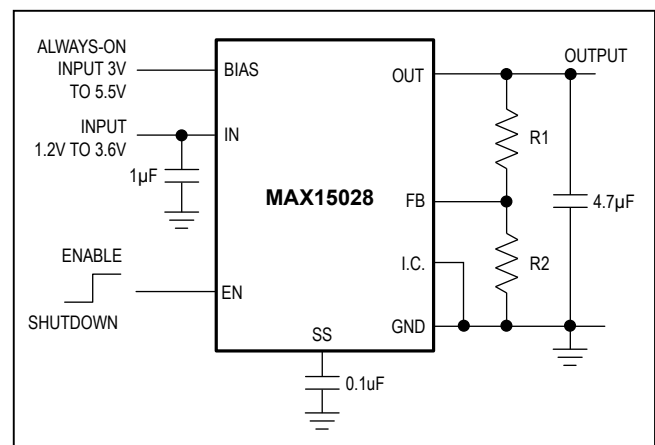
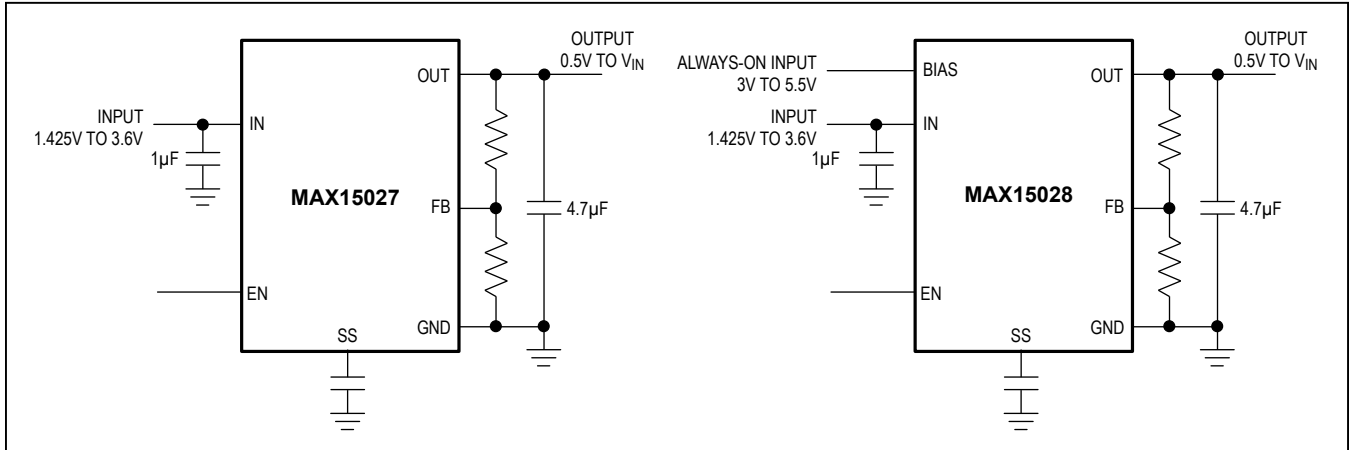


Figure 1. MAX15028 Typical Application Circuit

Typical Operating Circuits



Ordering Information

PART	TEMP RANGE	PIN-PACKAGE	TOP MARK
MAX15027ATB+T	-40°C to +125°C	10 TDFN-EP*	+AUD
MAX15027ATB/V+T	-40°C to +125°C	10 TDFN-EP*	+AWC
MAX15028ATB+T	-40°C to +125°C	10 TDFN-EP*	+AUE

+Denotes a lead(Pb)-free/RoHS-compliant package.  
 T = Tape and reel.  
 \*EP = Exposed pad.  
 /V denotes an automotive qualified part.

**Revision History**

REVISION NUMBER	REVISION DATE	DESCRIPTION	PAGES CHANGED
0	3/09	Initial release	—
1	5/10	Revised the <i>Features</i> , <i>Ordering Information</i> , and the <i>Absolute Maximum Ratings</i> .	1, 2
2	1/15	Changed TOC10a label from 20 $\mu$ s/div to 2ms/div	5
3	8/16	Rebranded data sheet; added new <i>Package Thermal Characteristics</i> section; corrected package code (from T1033-1 to T1033+1) in <i>Package Information</i> table and moved to pg 2; moved <i>Ordering Information</i> table to pg 11, <i>Pin Configuration</i> diagrams to pg 7, and <i>Chip Information</i> table to pg 2	1, 2, 7, 10, 11

For pricing, delivery, and ordering information, please contact Maxim Direct at 1-888-629-4642, or visit Maxim Integrated's website at [www.maximintegrated.com](http://www.maximintegrated.com).

Maxim Integrated cannot assume responsibility for use of any circuitry other than circuitry entirely embodied in a Maxim Integrated product. No circuit patent licenses are implied. Maxim Integrated reserves the right to change the circuitry and specifications without notice at any time. The parametric values (min and max limits) shown in the *Electrical Characteristics* table are guaranteed. Other parametric values quoted in this data sheet are provided for guidance.

## Looking for pricing, stock, or lifecycle information?

Click below to explore more details on WIN SOURCE:

- ⊖ [View MAX15027ATB/V+T on WIN SOURCE](#)
- ⊖ [Maxim Integrated Information](#)

## Optimize Your Supply Chain with WIN SOURCE Solutions

- ✓ Global Sourcing Solution
- ✓ Obsolete Management
- ✓ Cost Control Management
- ✓ Shortage Management
- ✓ Alternative Solution
- ✓ Excess Inventory Management