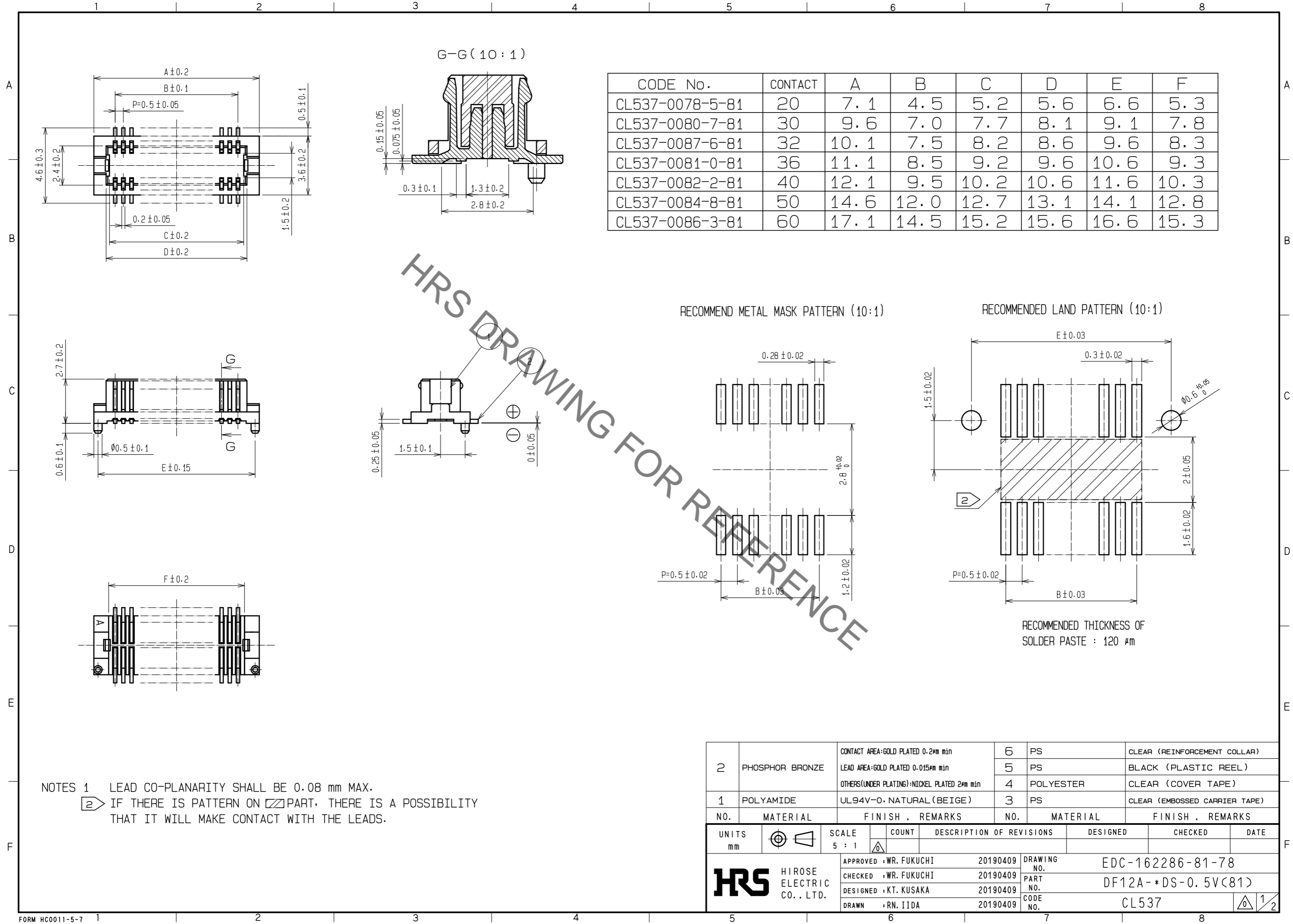




**THE DATASHEET OF  
DF12A-20DS-0.5V(81)**



Sep.1.2019 Copyright 2019 HIROSE ELECTRIC CO., LTD. All Rights Reserved.  
In case of consideration for using Automotive equipment / device which demand high reliability, kindly contact our sales window correspondents.



| CODE No.        | CONTACT | A    | B    | C    | D    | E    | F    |
|-----------------|---------|------|------|------|------|------|------|
| CL537-0078-5-81 | 20      | 7.1  | 4.5  | 5.2  | 5.6  | 6.6  | 5.3  |
| CL537-0080-7-81 | 30      | 9.6  | 7.0  | 7.7  | 8.1  | 9.1  | 7.8  |
| CL537-0087-6-81 | 32      | 10.1 | 7.5  | 8.2  | 8.6  | 9.6  | 8.3  |
| CL537-0081-0-81 | 36      | 11.1 | 8.5  | 9.2  | 9.6  | 10.6 | 9.3  |
| CL537-0082-2-81 | 40      | 12.1 | 9.5  | 10.2 | 10.6 | 11.6 | 10.3 |
| CL537-0084-8-81 | 50      | 14.6 | 12.0 | 12.7 | 13.1 | 14.1 | 12.8 |
| CL537-0086-3-81 | 60      | 17.1 | 14.5 | 15.2 | 15.6 | 16.6 | 15.3 |

HRS DRAWING FOR REFERENCE

RECOMMEND METAL MASK PATTERN (10:1)

RECOMMENDED LAND PATTERN (10:1)

RECOMMENDED THICKNESS OF SOLDER PASTE : 120 μm



NOTES 1 LEAD CO-PLANARITY SHALL BE 0.08 mm MAX.  
2 IF THERE IS PATTERN ON PART, THERE IS A POSSIBILITY THAT IT WILL MAKE CONTACT WITH THE LEADS.

| 2                                    | PHOSPHOR BRONZE | CONTACT AREA:GOLD PLATED 0.2μm min          | 6         | PS                       | CLEAR (REINFORCEMENT COLLAR)  |                    |         |      |
|--------------------------------------|-----------------|---|-----------|--------------------------|-------------------------------|--------------------|---------|------|
|                                      |                 | LEAD AREA:GOLD PLATED 0.015μm min           | 5         | PS                       | BLACK (PLASTIC REEL)          |                    |         |      |
|                                      |                 | OTHERS(UNDER PLATING):NICKEL PLATED 2μm min | 4         | POLYESTER                | CLEAR (COVER TAPE)            |                    |         |      |
| 1                                    | POLYAMIDE       | UL94V-0, NATURAL (BEIGE)                    | 3         | PS                       | CLEAR (EMBOSSED CARRIER TAPE) |                    |         |      |
| NO.                                  | MATERIAL        | FINISH . REMARKS                            | NO.       | MATERIAL                 | FINISH . REMARKS              |                    |         |      |
| UNITS<br>mm                          |                 | SCALE<br>5 : 1                              | COUNT<br> | DESCRIPTION OF REVISIONS |                               | DESIGNED           | CHECKED | DATE |
| <b>HRS</b> HIROSE ELECTRIC CO., LTD. |                 | APPROVED : WR. FUKUCHI                      | 20190409  | DRAWING NO.              |                               | EDC-162286-81-78   |         |      |
|                                      |                 | CHECKED : WR. FUKUCHI                       | 20190409  | PART NO.                 |                               | DF12A-*DS-0.5V(81) |         |      |
|                                      |                 | DESIGNED : KT. KUSAKA                       | 20190409  | CODE NO.                 |                               | CL537              |         |      |
|                                      |                 | DRAWN : RN. IIDA                            | 20190409  |                          |                               | 1/2                |         |      |



## Looking for pricing, stock, or lifecycle information?

Click below to explore more details on WIN SOURCE:

-  [View DF12A-20DS-0.5V\(81\) on WIN SOURCE](#)
-  [Hirose Electric Co Ltd Information](#)

## Optimize Your Supply Chain with WIN SOURCE Solutions

-  Global Sourcing Solution
-  Obsolete Management
-  Cost Control Management
-  Shortage Management
-  Alternative Solution
-  Excess Inventory Management