

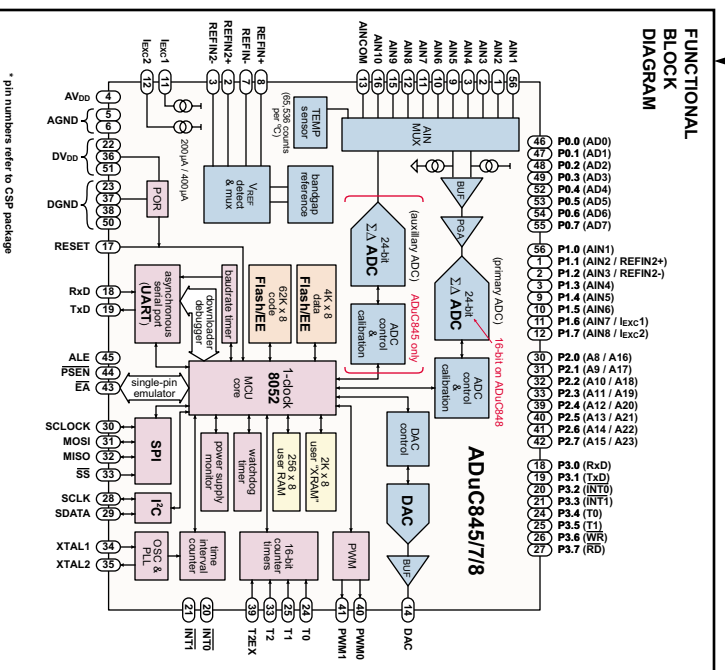


**THE DATASHEET OF  
ADUC845BCPZ62-3**





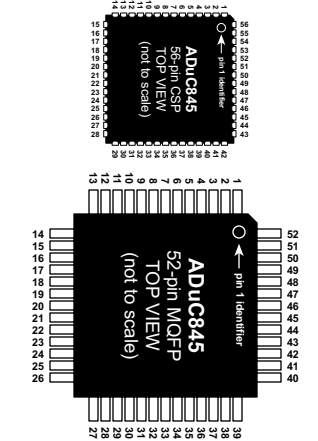
# AduC845/ADuC847/ADuC848 MicroConverter® Quick Reference Guide



**A Precision Analog Flash MCU**  
**The AduC845/ADuC847/ADuC848 is:**  
**ADC:**  
 24-bit\* primary ADC, differential w/ programmable gain  
 24-bit auxiliary ADC, single-ended w/ fixed gain (AduC845 only)  
 10-channel input mux  
**DAC:**  
 12-bit, 15µs, voltage output  
 <1-LSB DNL  
**Flash/EEPROM:**  
 up to 62KB Flash/EE program memory  
 4KB Flash/EE data memory  
**Microcontroller:**  
 \*single-cycle\* 8052, up to 12.8MIPS  
 32 I/O lines, programmable PLL clock  
 (98.3kHz to 12.6MHz from 32kHz crystal)  
**Embedded Tools Support:**  
 on-chip download/debug & single-pin emulation functions  
**Other on-chip features:**  
 temperature sensor, power supply monitor, watchdog timer,  
 flexible serial interface ports, voltage reference, time interval  
 counter, dual 8-16-bit PWM, power-on-reset

**Pin Functions**

MOFF CSP	Pin	Function
2	1	P1.1/AIN2
3	2	P1.2/AIN3/REFIN2+
4	3	P1.3/AIN4/REFIN2-
5	4	AV <sub>DD</sub>
-	5	AGND
6	6	AGND
7	7	REFIN+
8	8	REFIN-
9	9	P1.4/AIN5
10	10	P1.5/AIN6
11	11	P1.6/AIN7/IEXC1
12	12	P1.7/AIN8/IEXC2
13	13	AINCOM/DAC
14	14	DAC



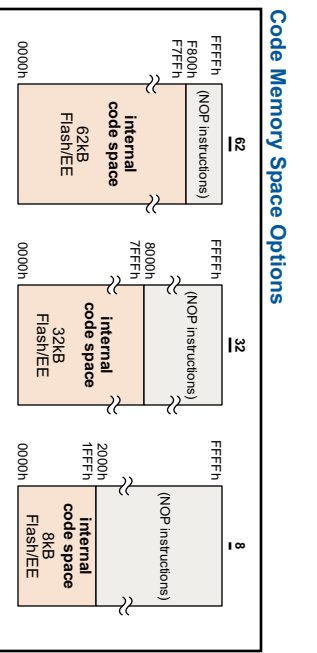
MOFF CSP	Pin	Function
-	15	AIN9 (CSP package only)
-	16	AIN10 (CSP package only)
16	17	RESET
16	18	P3.0/RD
17	19	P3.1/T2D
18	20	P3.2/INT0
19	21	P3.3/INT1
20	22	DV <sub>DD</sub>
21	23	DQND
22	24	P3.4/T0
23	25	P3.5/T1
24	26	P3.6/WR
25	27	P3.7/RD
26	28	SOCLK (T/C)

MOFF CSP	Pin	Function
27	29	SDATA (T/C)
28	30	P2.0/SOCLK (SPI)
29	31	P2.1/MOSI (SPI)
30	32	P2.2/MISO (SPI)
31	33	P2.3/SS/T2
32	34	XTAL1 (M)
33	35	XTAL2 (OUT)
34	36	DV <sub>DD</sub>
35	37	DQND
-	38	DQND
37	39	P2.4/T2EX
37	40	P2.5/PWM0
38	41	P2.6/PWM1
39	42	P2.7/PWMCLK

MOFF CSP	Pin	Function
40	43	EA
41	44	PSEN
42	45	ALE
43	46	P0.0/AD0
44	47	P0.1/AD1
45	48	P0.2/AD2
46	49	P0.3/AD3
47	50	DQND
48	51	DV <sub>DD</sub>
49	52	P0.4/AD4
50	53	P0.5/AD5
51	54	P0.6/AD6
52	55	P0.7/AD7
53	56	P1.0/AIN1



## Interrupt Vector Addresses

Interrupt Bit	Interrupt Name	Vector Address	Relative Priority
PSMCON.5	Power Supply Monitor Interrupt	43h	1
WDS	Watchdog Timer Interrupt	5Bh	2
IE0	External Interrupt 0	03h	3
RDY0/RDY1	End of ADC Conversion Interrupt	33h	4
TF0	Timer0 Overflow Interrupt	0Bh	5
IE1	External Interrupt 1	13h	6
TF1	Timer1 Overflow Interrupt	1Bh	7
ISPI/IZCI	SPI/PC Interrupt	3Bh	8
RI/TI	UART Interrupt	23h	9
TF2/EXKF2	Timer2 Interrupt	2Bh	10
TIMECON.2	Time Interval Counter Interrupt	53h	11

© 2004 Analog Devices, Inc. All rights reserved. Trademarks and registered trademarks are the property of Analog Devices, Inc. or its subsidiaries. Devices or one of its subsidiaries are associated with the AD logo. All other trademarks are the property of their respective owners. Components in an IC system, provided that the system complies with the G-Standard Specification. Printed in the USA. G44923-4-6/04(0)



## Looking for pricing, stock, or lifecycle information?

Click below to explore more details on WIN SOURCE:

 [View ADUC845BCPZ62-3 on WIN SOURCE](#)

 [Analog Devices Inc. Information](#)

## Optimize Your Supply Chain with WIN SOURCE Solutions

-  Global Sourcing Solution
-  Obsolete Management
-  Cost Control Management
-  Shortage Management
-  Alternative Solution
-  Excess Inventory Management